

[54] HOUSING FOR AN IN-LINE PRESSURE RELIEF VALVE

[75] Inventor: Michael R. Mahoney, Cucamonga, Calif.

[73] Assignee: Baxter Travenol Laboratories, Inc., Deerfield, Ill.

[**] Term: 14 Years

[21] Appl. No.: 503,372

[22] Filed: Jun. 10, 1983

[52] U.S. Cl. D23/19; D24/53

[58] Field of Search D23/19-22; D24/53; 137/68 R, 843, 852, 854, 860

[56] References Cited

U.S. PATENT DOCUMENTS

- D. 226,524 3/1973 Brindisi D23/19
- D. 242,710 12/1976 Schourup D23/19
- D. 260,810 9/1981 Cleveland D23/44
- D. 266,691 10/1982 Brunet D23/19
- D. 267,743 1/1983 Cunningham et al. D23/21 X

- 3,623,504 11/1971 Davis 137/852
- 3,626,978 12/1971 Hoekstra 137/854
- 3,633,613 1/1972 Julow 137/854 X
- 3,693,691 9/1972 Summers 137/68 R
- 4,219,040 8/1980 Fallon et al. 137/68 R
- 4,222,407 9/1980 Ruschke et al. 137/843 X

Primary Examiner—James R. Largen
Attorney, Agent, or Firm—Roger A. Williams

[57] CLAIM

The ornamental design for a housing for an in-line pressure relief valve, as shown and described.

DESCRIPTION

FIG. 1 is a top plan view of a housing for an in-line pressure relief valve showing my new design; FIG. 2 is an elevational view taken from one side thereof, the opposite side being the same as the side shown; FIG. 3 is a bottom plan view thereof; and FIG. 4 is an elevational view taken from one end thereof, the opposite end being the same as the end shown.

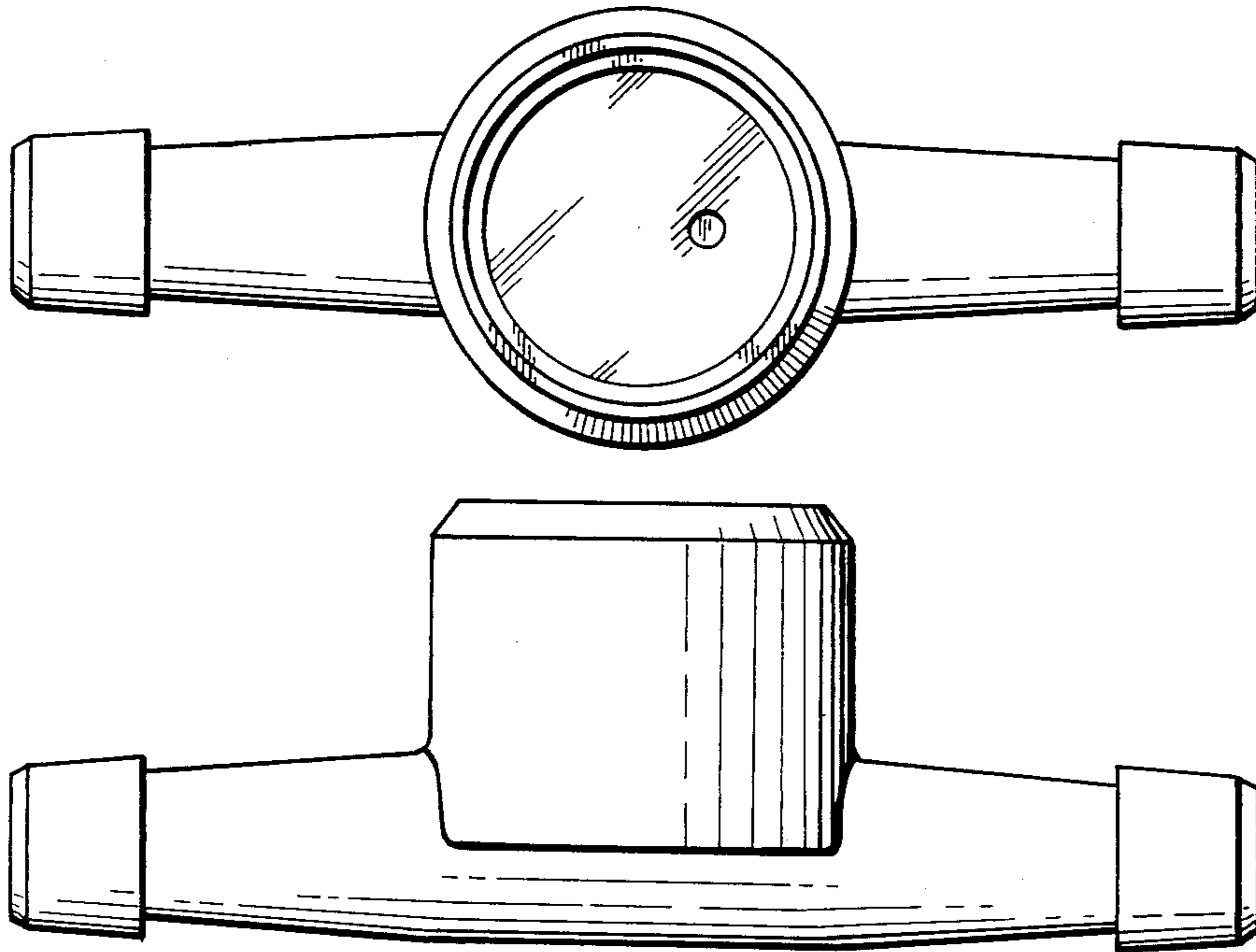


FIG. 1

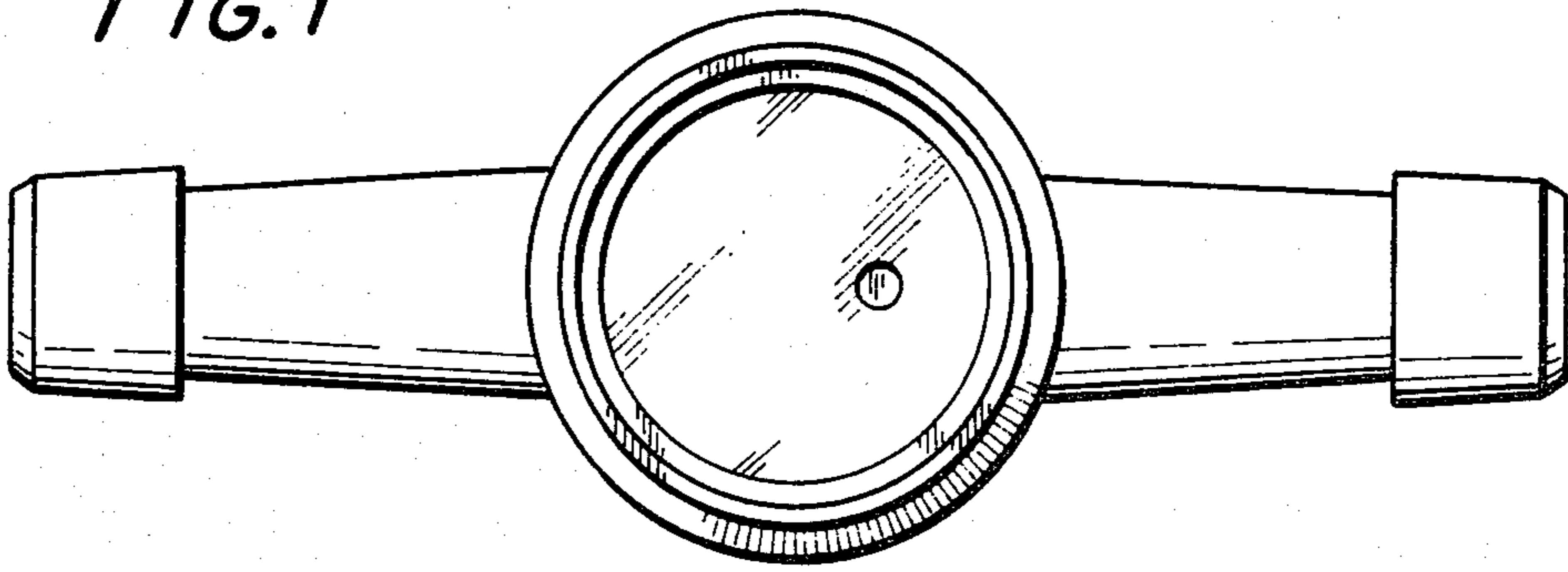


FIG. 2

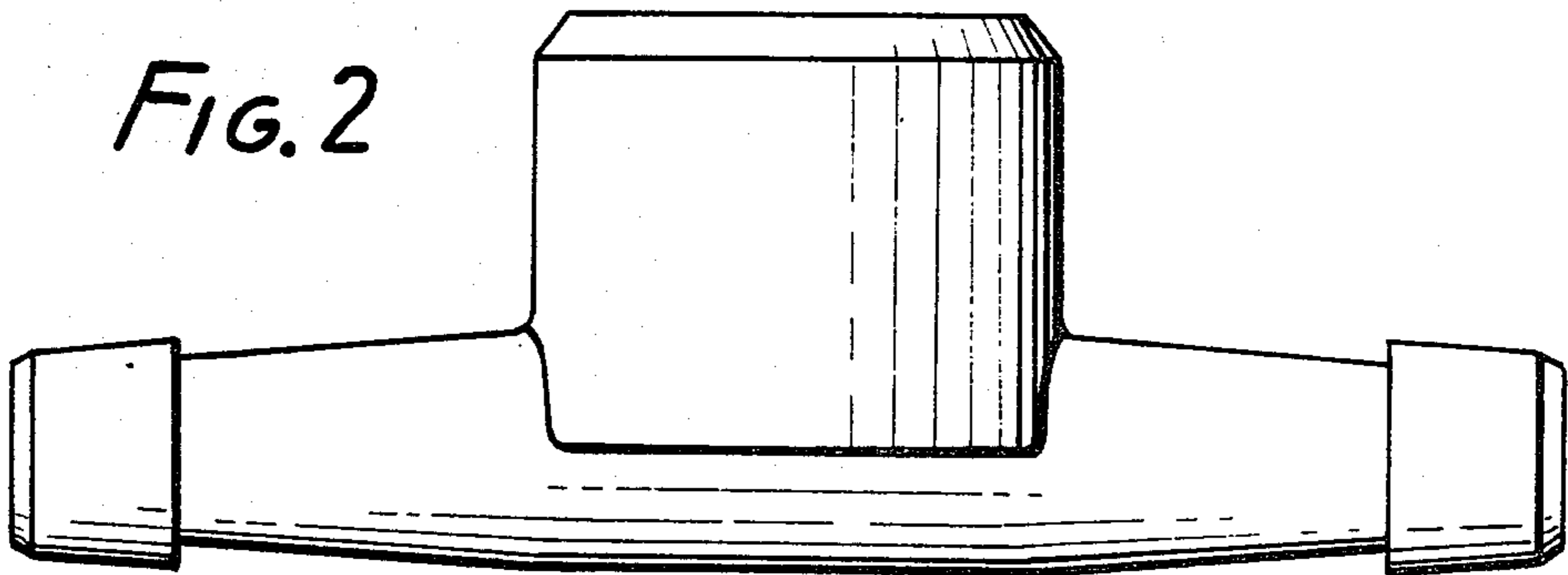


FIG. 3

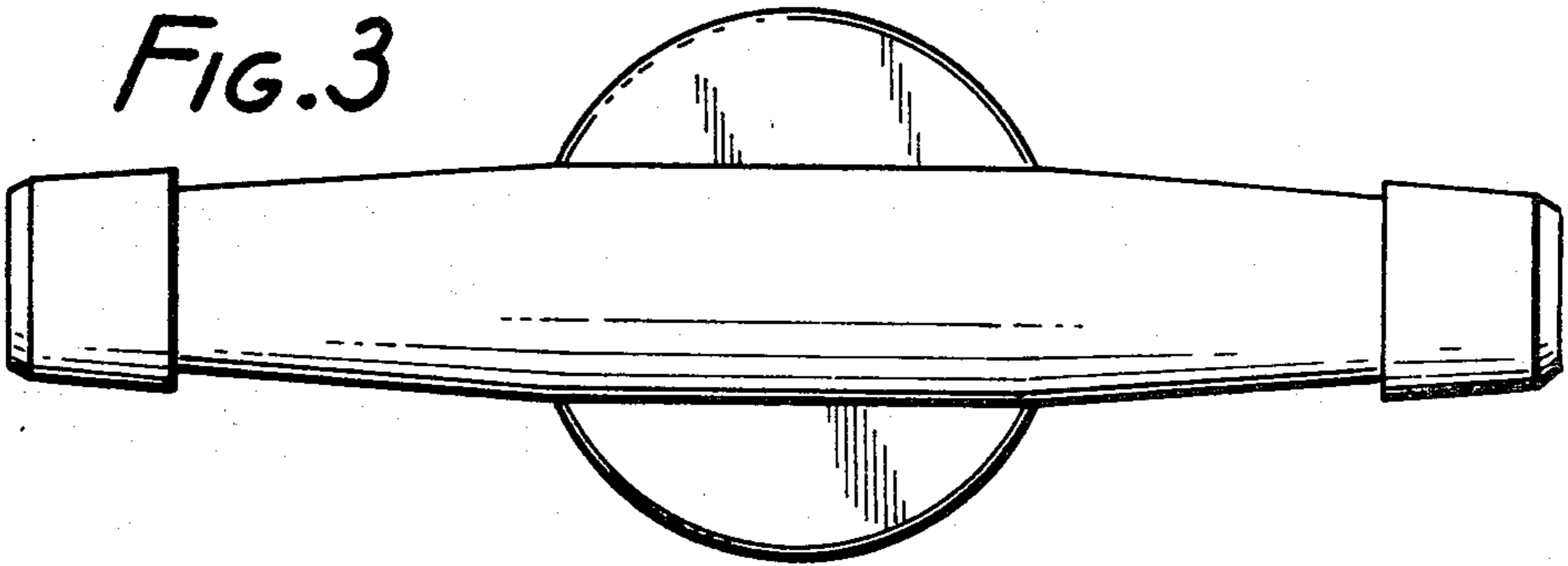


FIG. 4

