

[54] **FISHING REEL**

[75] **Inventors: Kanji Iinuma; Yasuhisa Kameda, both of Tokyo, Japan**

[73] **Assignee: Daiwa Seiko Inc., Tokyo, Japan**

[\*\*] **Term: 14 Years**

[21] **Appl. No.: 561,255**

[22] **Filed: Dec. 14, 1983**

[30] **Foreign Application Priority Data**

Jun. 24, 1983 [JP]	Japan	58-27319
[52] U.S. Cl.		D22/25
[58] Field of Search	242/84.1 R, 86.1 A, 242/84.2 R, 84.2 A, 84.2 B;	D22/25

[56] **References Cited**

**U.S. PATENT DOCUMENTS**

D. 254,091	1/1980	Jansson et al.	D22/25
D. 270,933	10/1983	Iinuma et al.	D22/25
4,203,565	5/1980	Purybar	D22/25 X

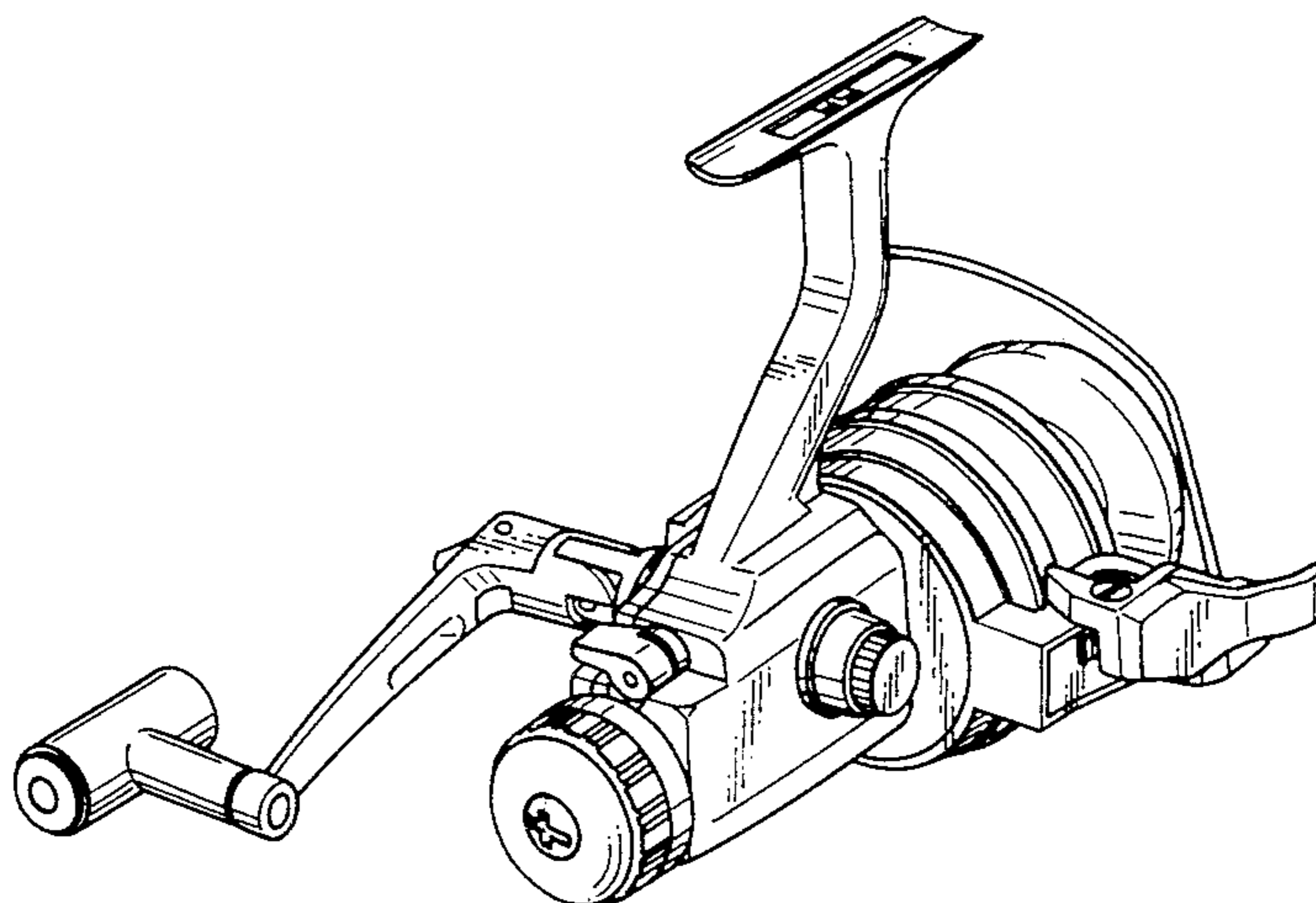
*Primary Examiner*—A. Hugo Word  
*Attorney, Agent, or Firm*—Sughrue, Mion, Zinn, Macpeak, and Seas

[57] **CLAIM**

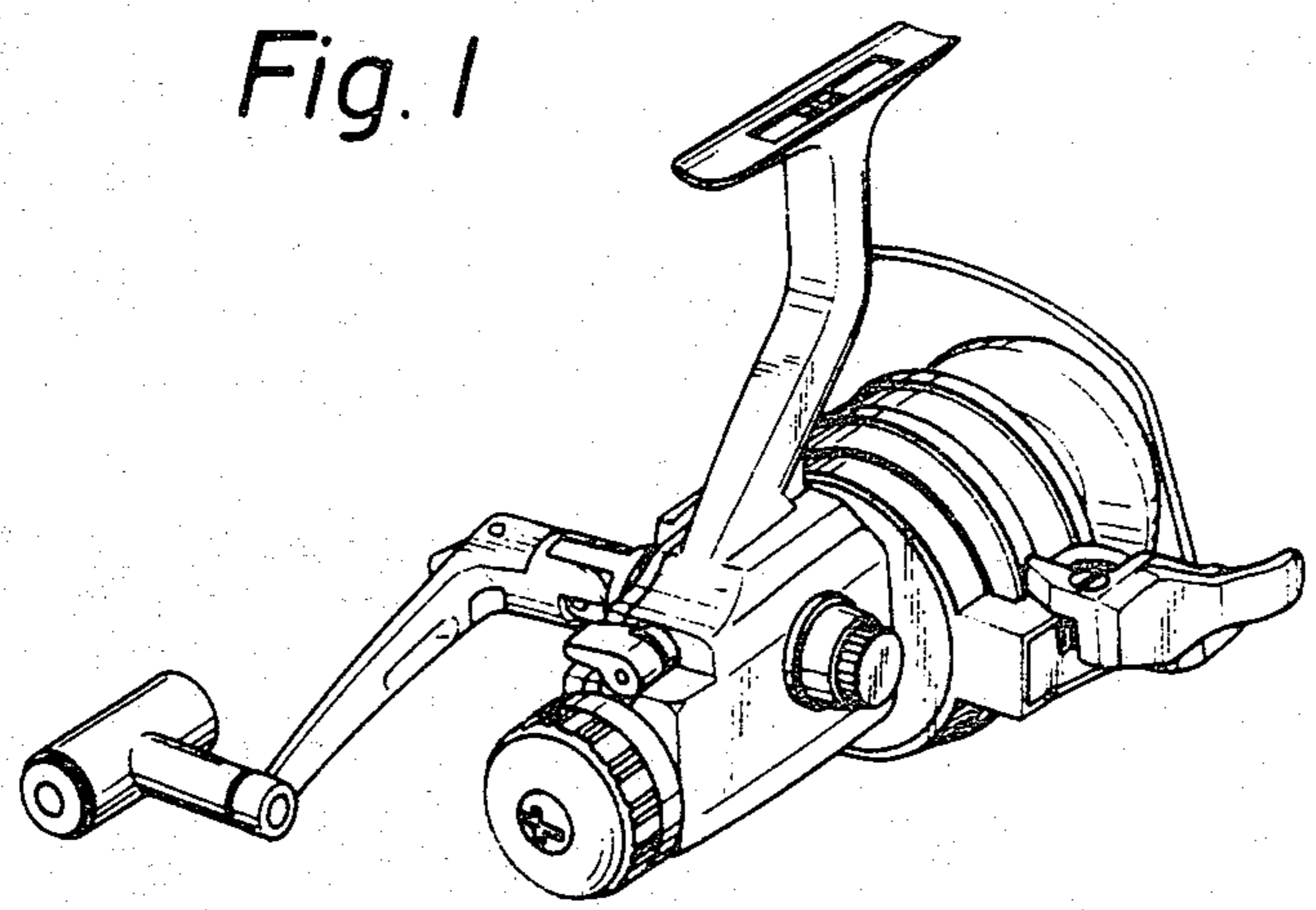
The ornamental design for a fishing reel, as shown.

**DESCRIPTION**

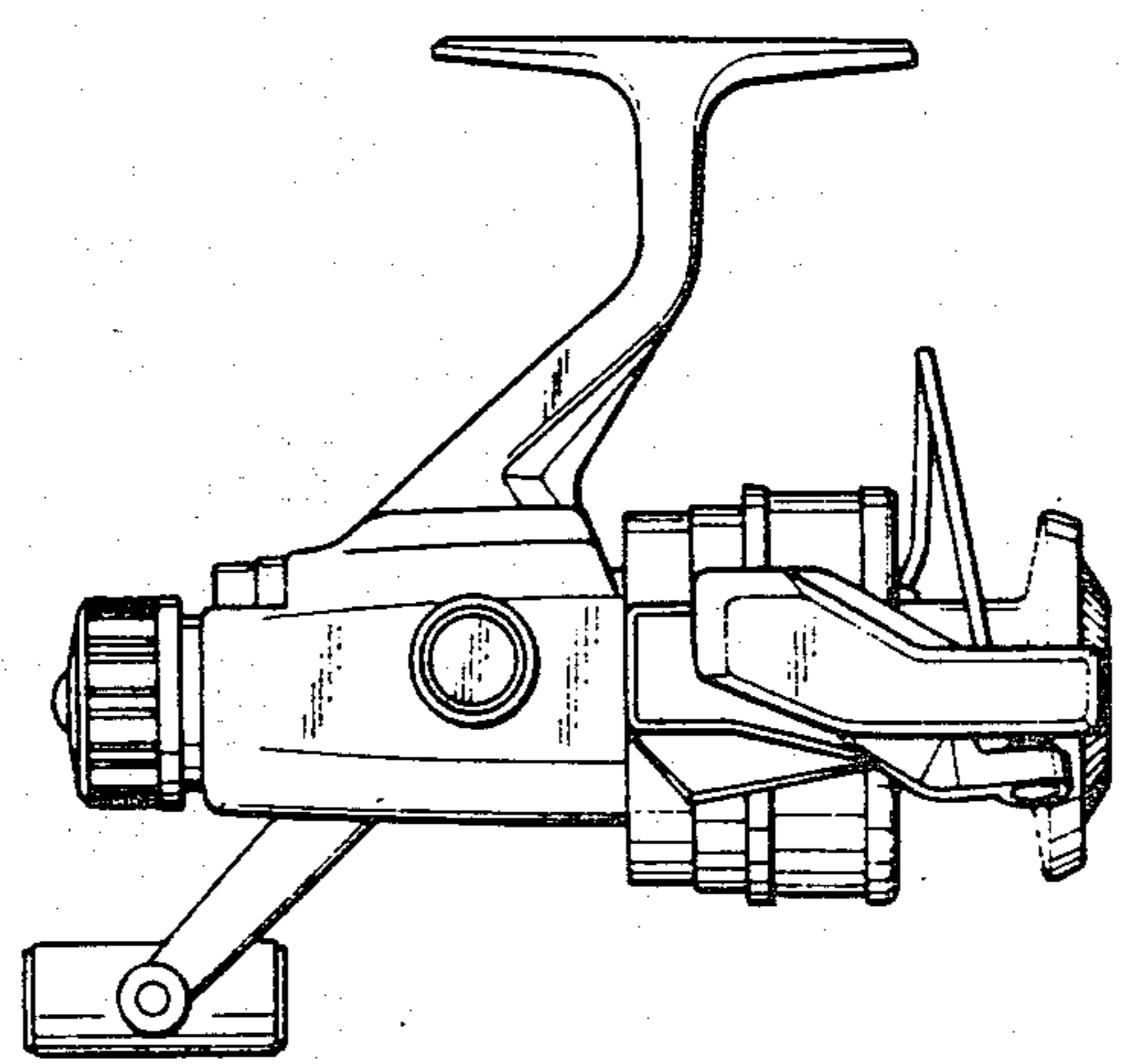
FIG. 1 is a rear, top and left side perspective view of a fishing reel showing our new design;  
 FIG. 2 is a left side elevational view thereof;  
 FIG. 3 is a right side elevational view thereof;  
 FIG. 4 is a front elevational view thereof;  
 FIG. 5 is a rear elevational view thereof;  
 FIG. 6 is a top plan view thereof; and  
 FIG. 7 is a bottom plan view thereof.



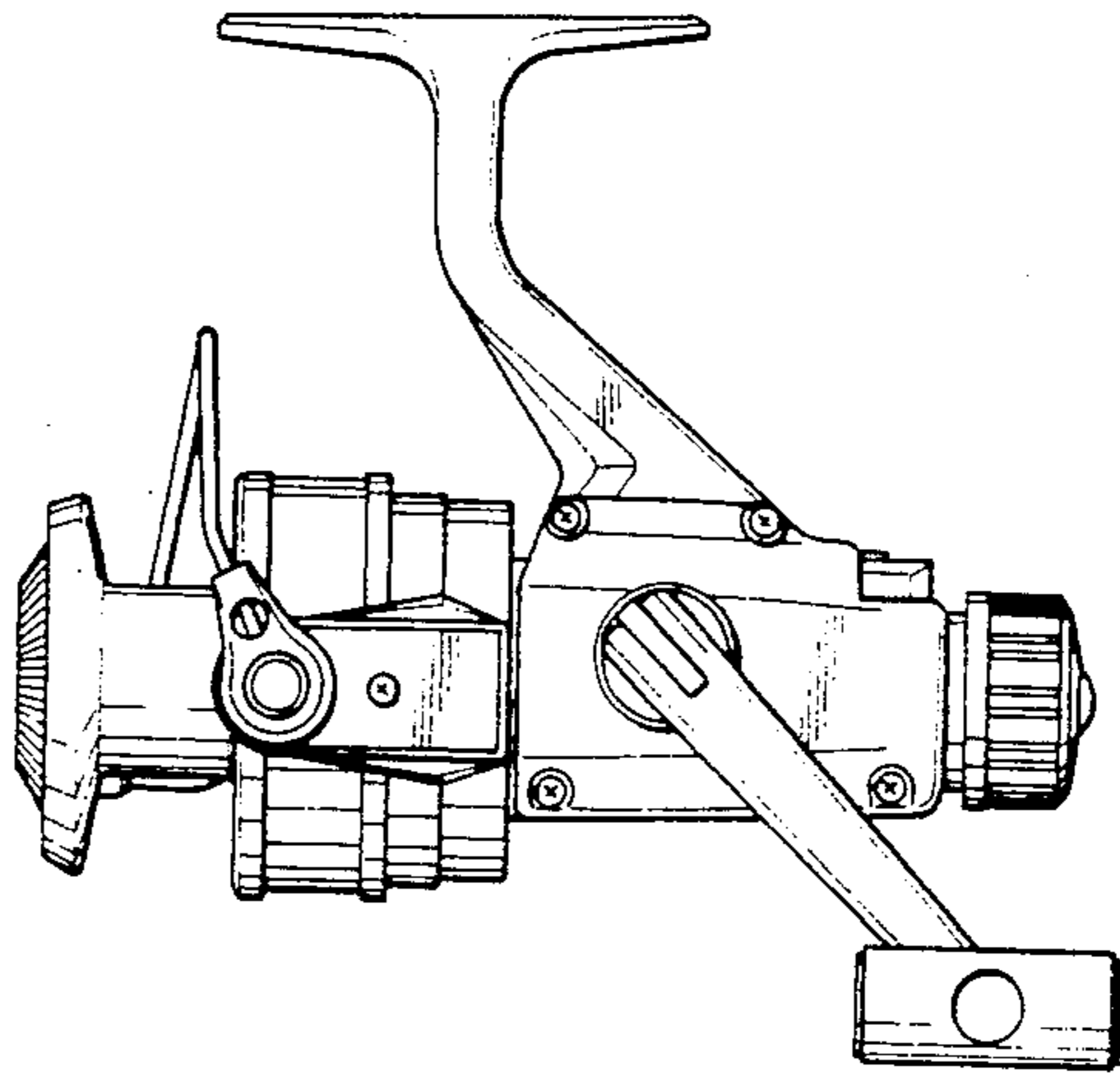
*Fig. 1*



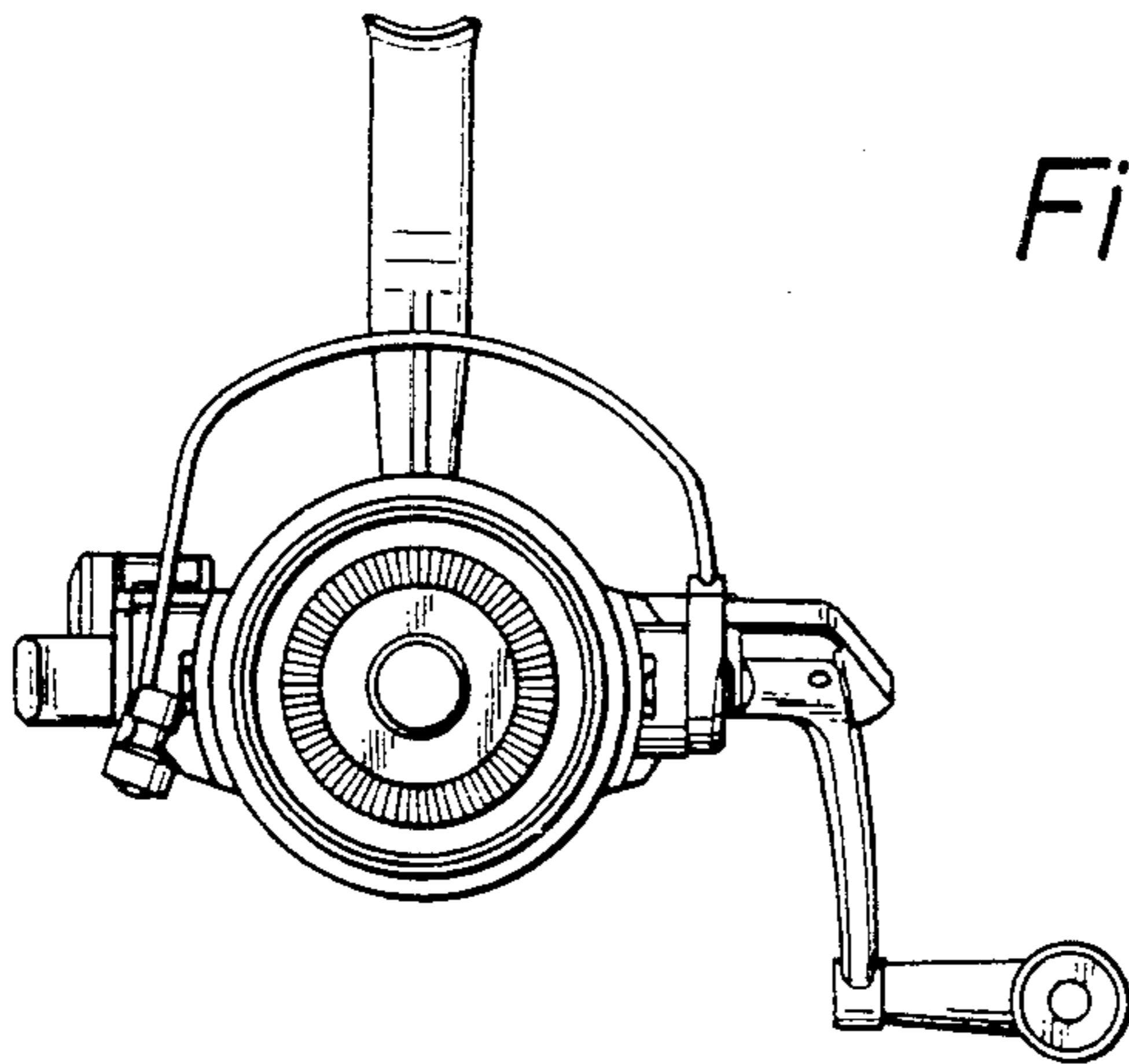
*Fig. 2*



*Fig.3*



*Fig.4*



*Fig.5*

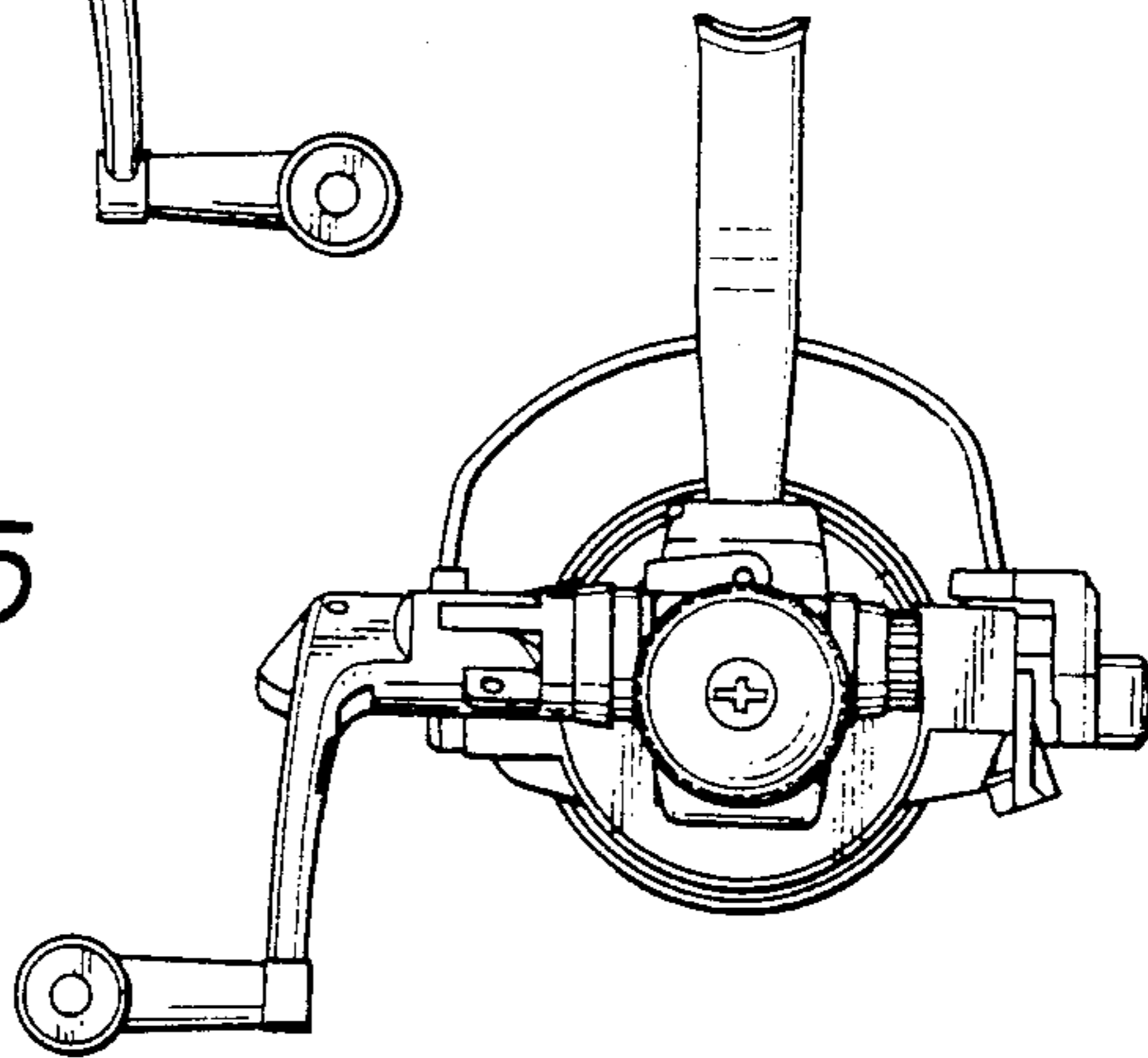


Fig. 6

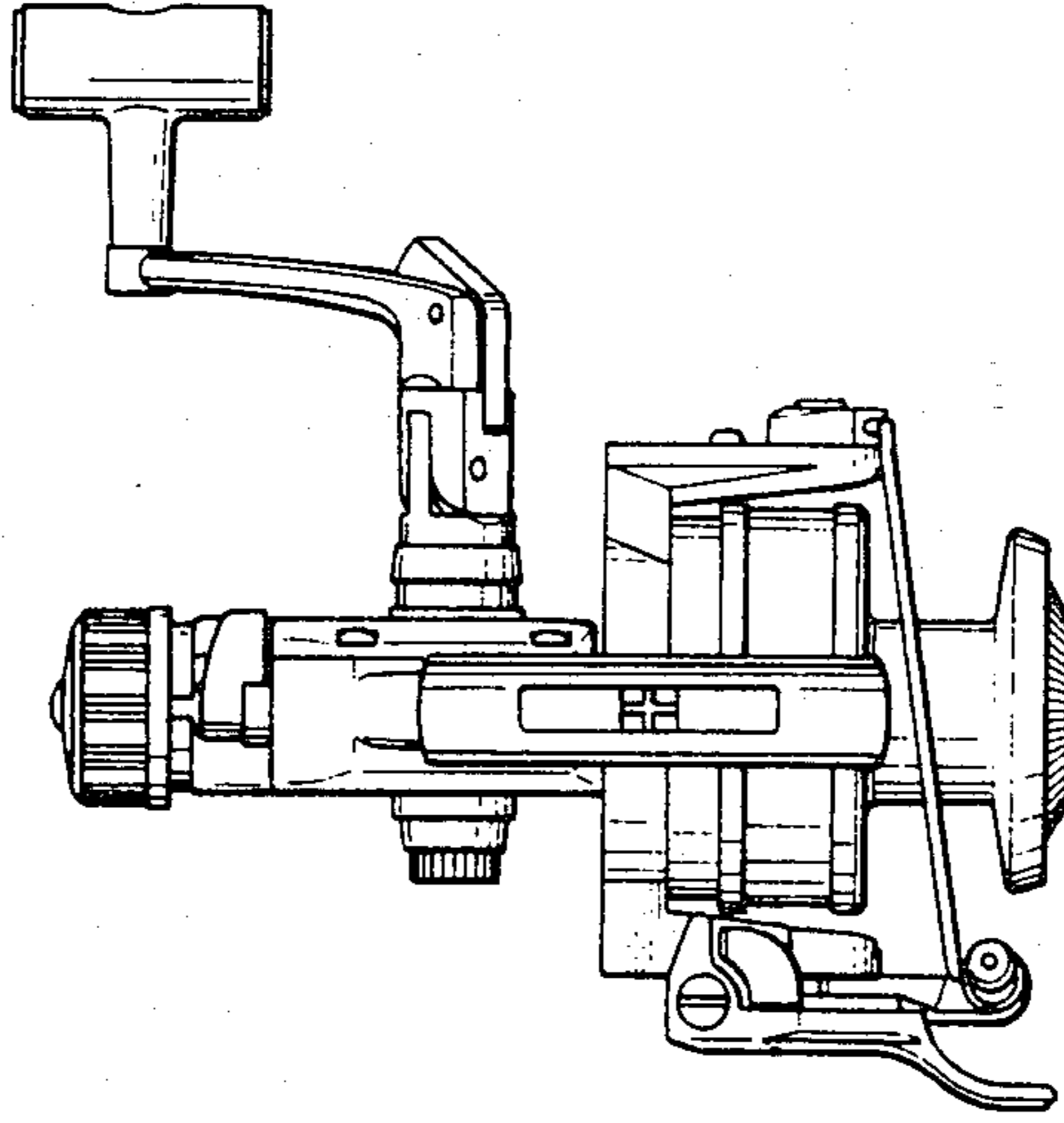


Fig. 7

