

[54] CONTROLLER BOX FOR ELECTRIC MODEL CARS

[76] Inventor: Yoshio Kondo, Room No. 311, Eruarukasaru Nishinippori, No. 29-11, Nishinippori 6-chome, Arakawa-Ku, Tokyo, Japan

[**] Term: 14 Years

[21] Appl. No.: 486,967

[22] Filed: Apr. 20, 1983

[52] U.S. Cl. D21/141; D21/48; D21/142

[58] Field of Search D21/142, 141, 143, 48; 446/455, 454; 273/86 B

[56] References Cited

U.S. PATENT DOCUMENTS

- 2,723,492 11/1955 Muller 446/454
- 4,479,650 10/1984 Neuhierl 446/455

OTHER PUBLICATIONS

Playthings, Mar., 1979, p. 81, middle right "Speed Steer" control.

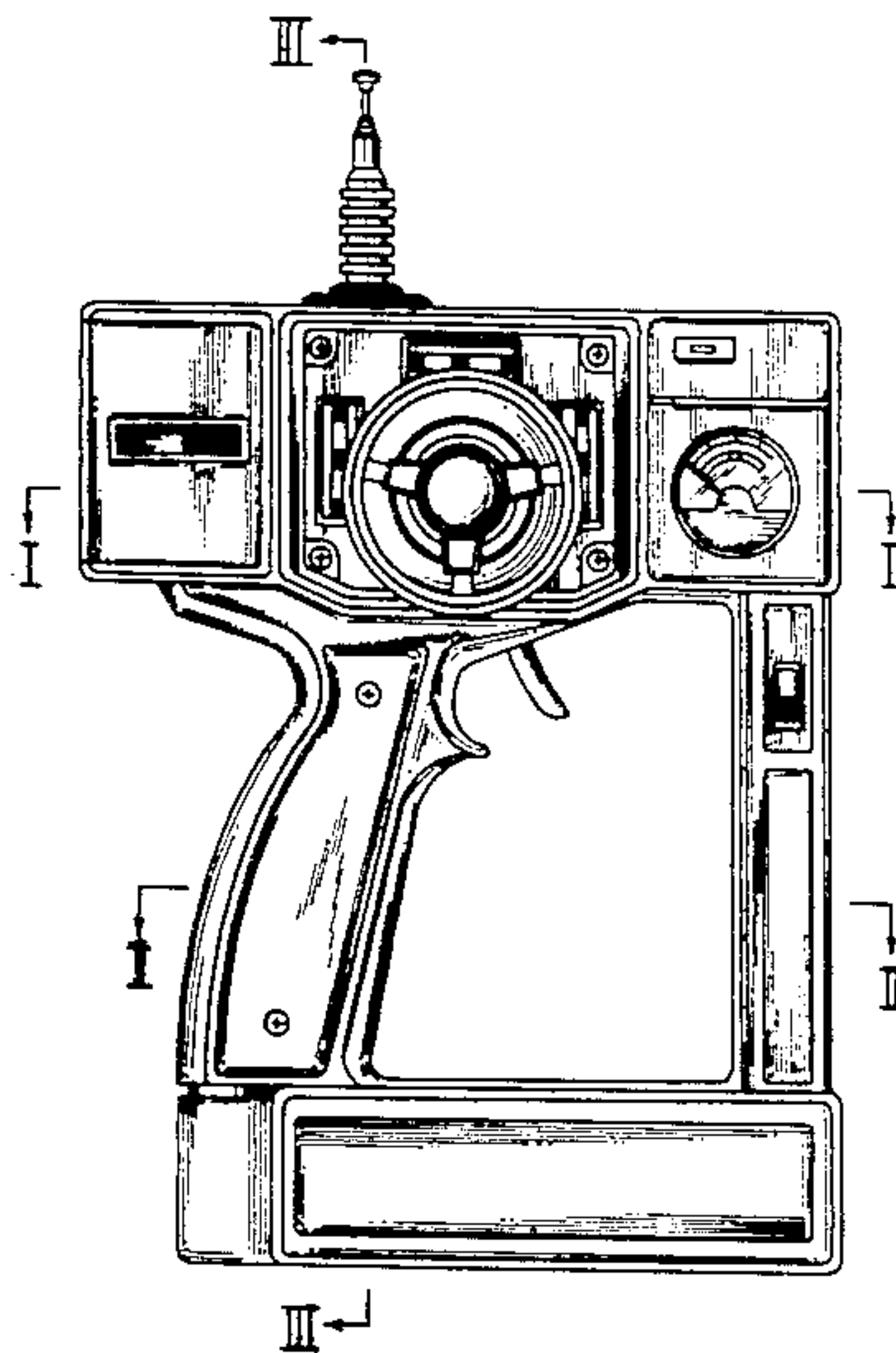
Primary Examiner—Melvin B. Feifer
Attorney, Agent, or Firm—Wenderoth, Lind & Ponack

[57] CLAIM

The ornamental design for a controller box for electric model cars, as shown and described.

DESCRIPTION

FIG. 1 is a front elevational view of a controller box for electric model cars showing my new design;
 FIG. 2 is a rear elevational view thereof;
 FIG. 3 is a top plan view thereof;
 FIG. 4 is a bottom plan view thereof;
 FIG. 5 is a side view thereof;
 FIG. 6 is another side view thereof;
 FIG. 7 is a sectional view taken along the line I—I of FIG. 1, with the inner construction omitted;
 FIG. 8 is a sectional view taken along the line II—II of FIG. 1, with the inner construction omitted; and
 FIG. 9 is a sectional view taken along the line III—III of FIG. 1, with the inner construction omitted.



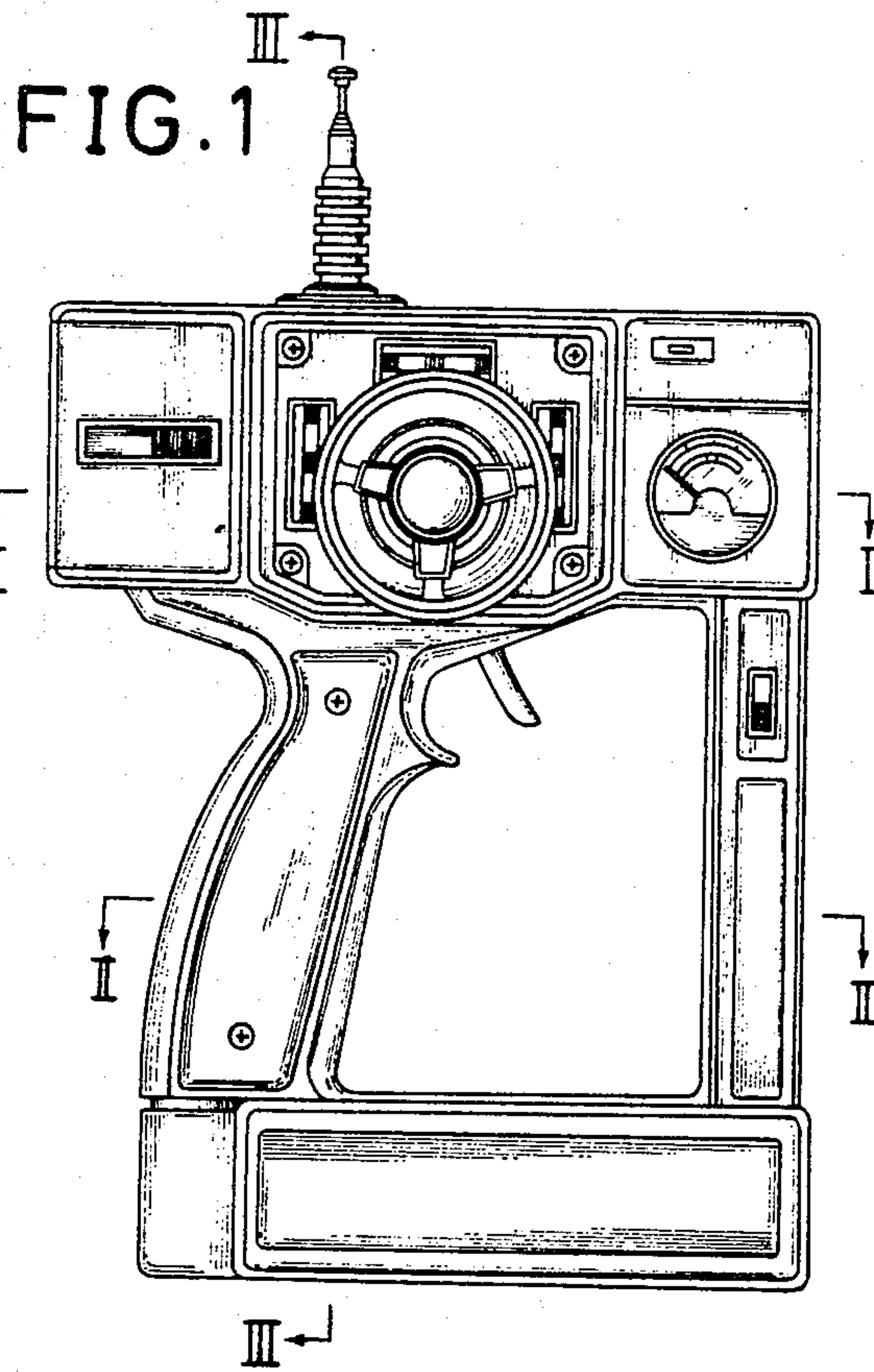


FIG. 5

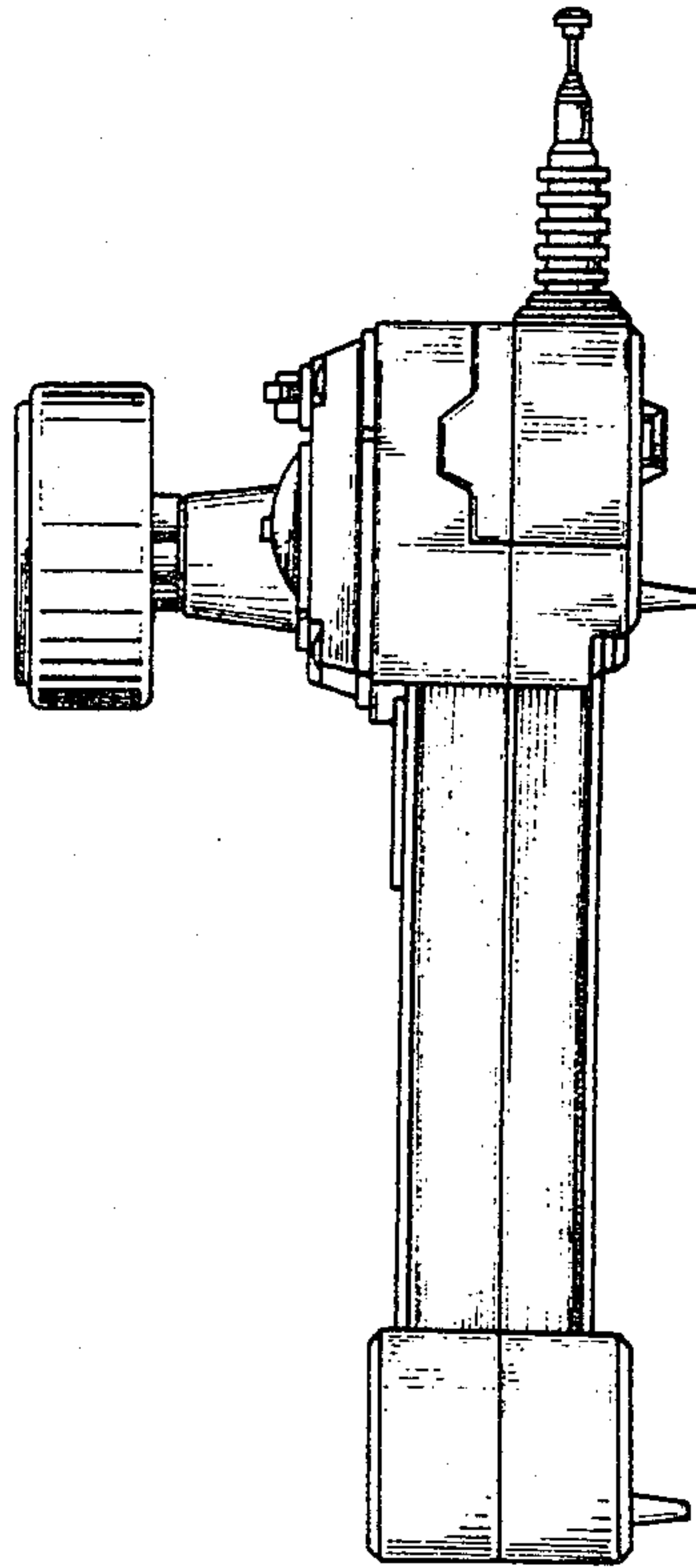


FIG. 3

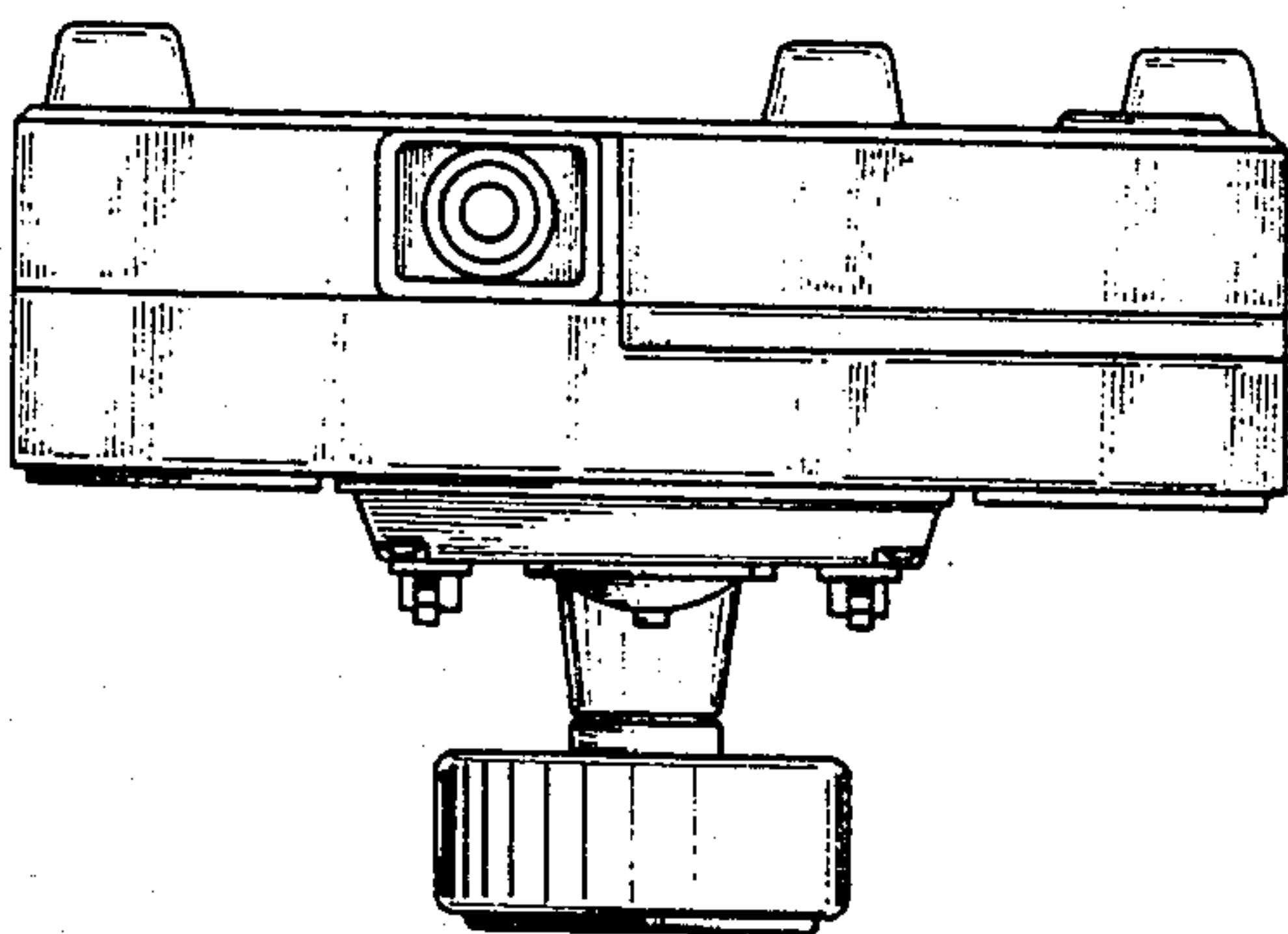


FIG. 2

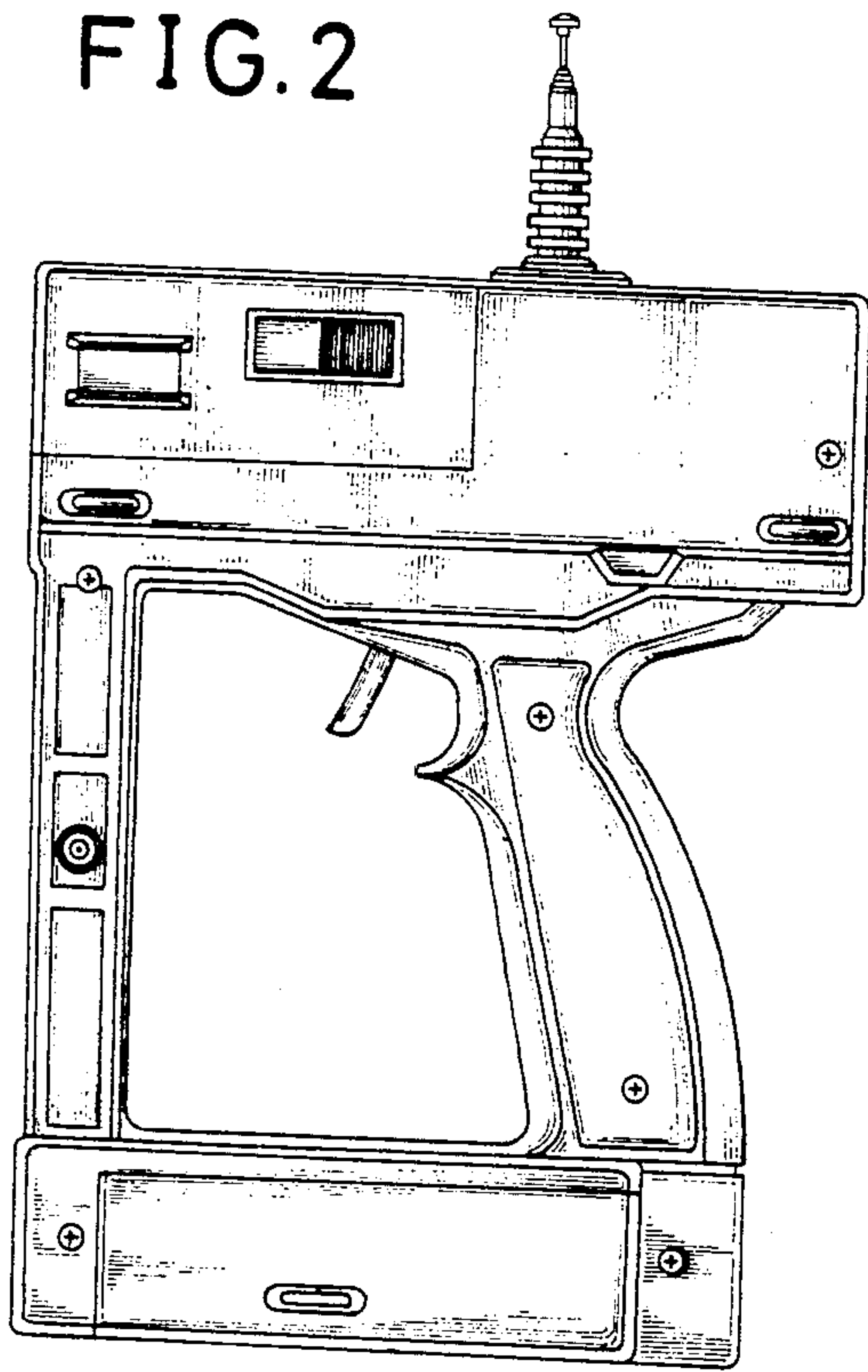


FIG. 6

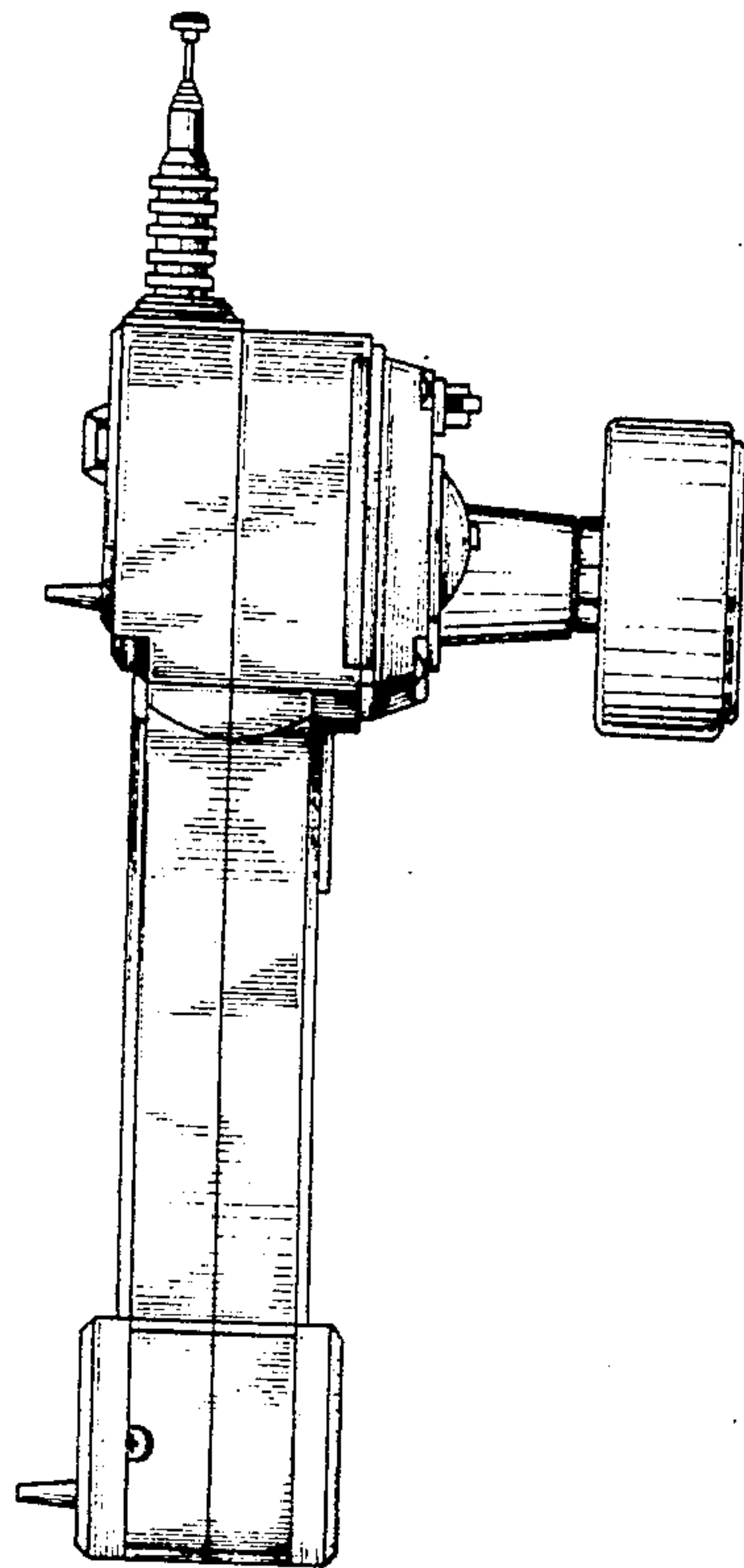


FIG. 4

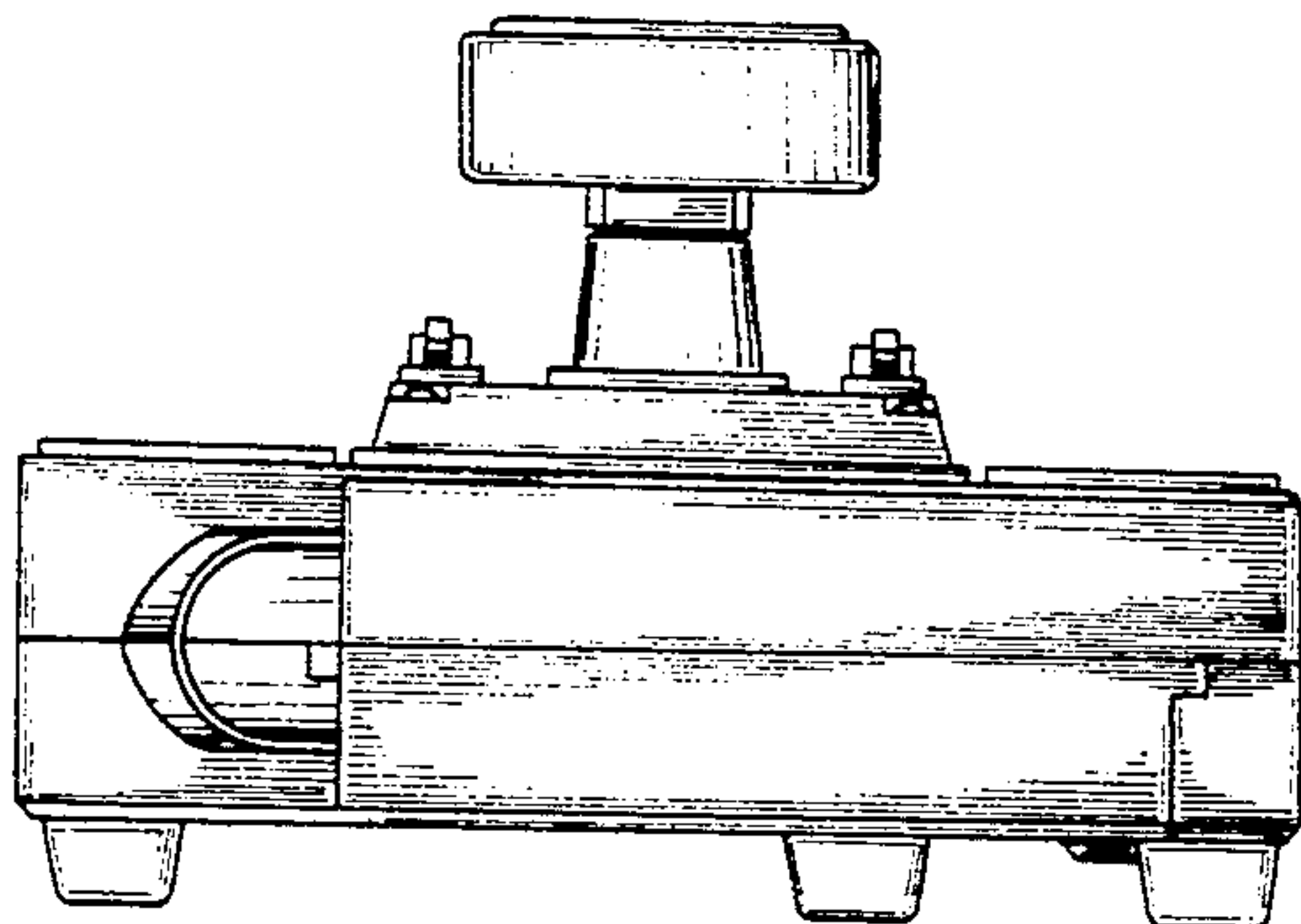


FIG. 7

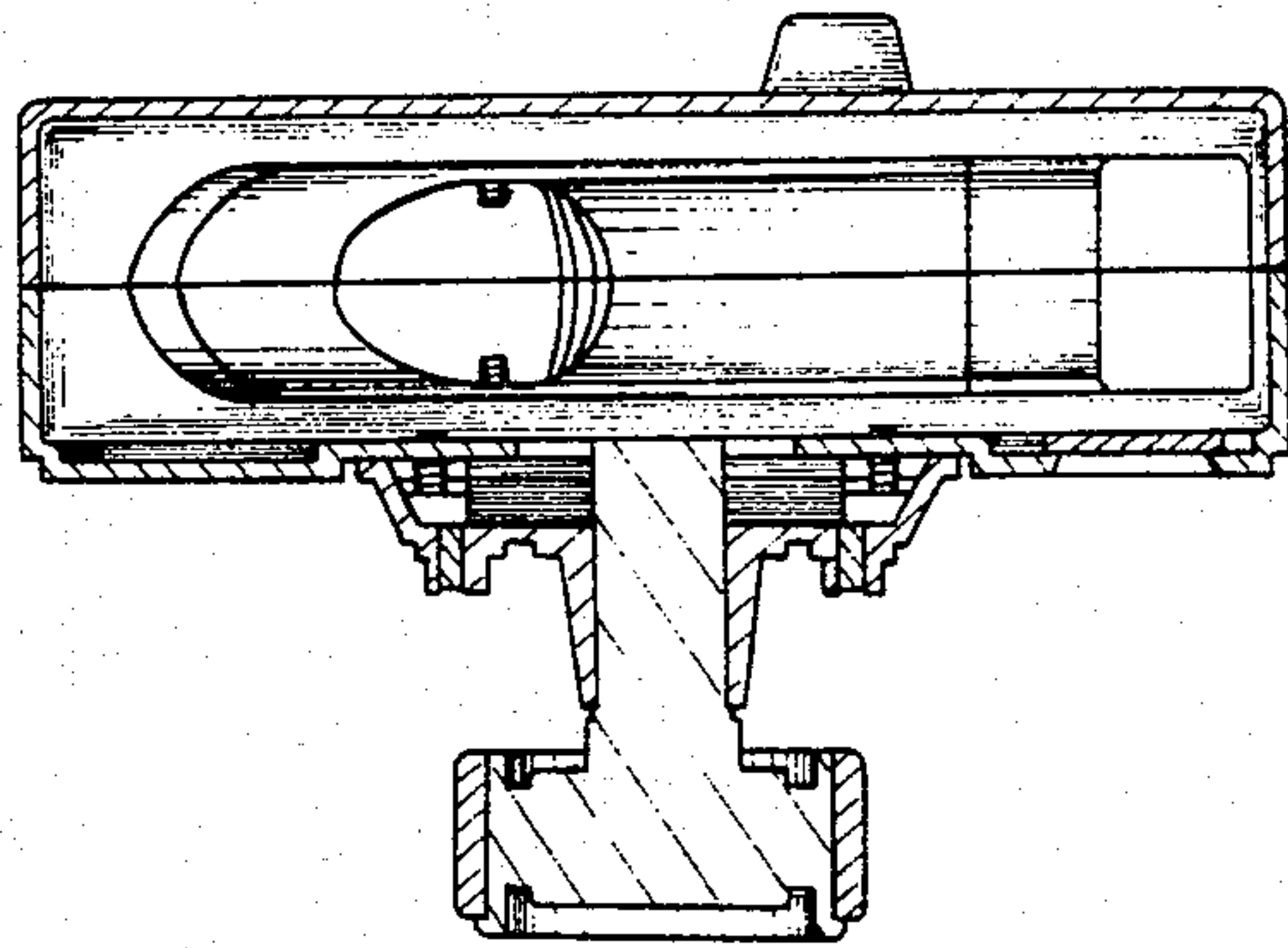


FIG. 9

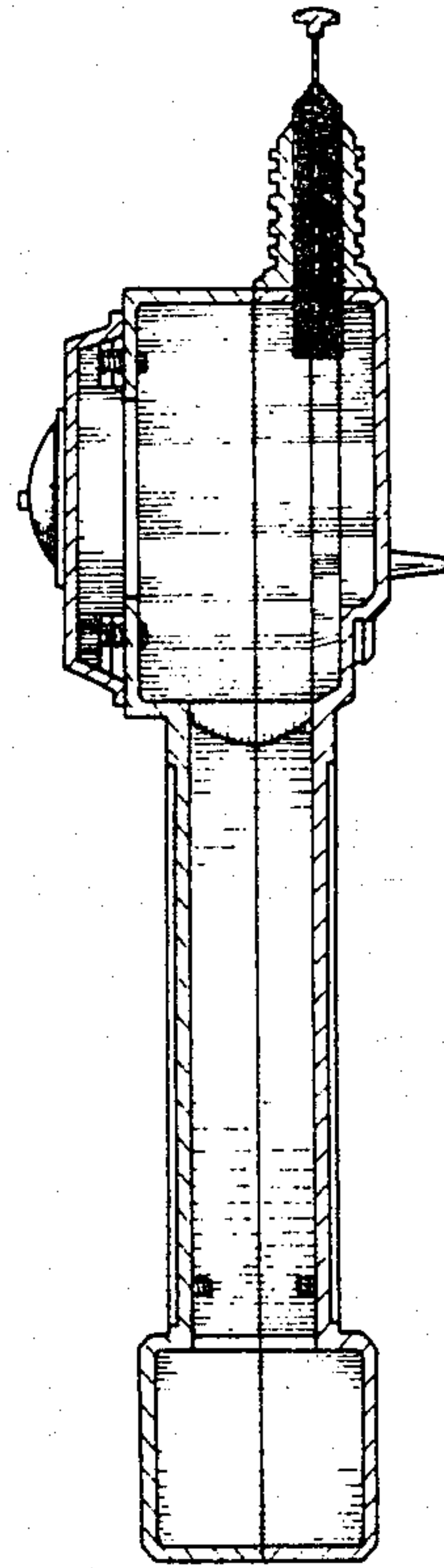


FIG. 8

