

[54] SINGLE-LENS REFLEX CAMERA BODY

[75] Inventor: Yoshihisa Maitani, Tokyo, Japan

[73] Assignee: Olympus Optical Co., Ltd., Japan

[**] Term: 14 Years

[21] Appl. No.: 516,754

[22] Filed: Jul. 25, 1983

[30] Foreign Application Priority Data

Feb. 25, 1983 [JP] Japan SHO/58-7586

[52] U.S. Cl. D16/8; D16/1

[58] Field of Search D16/1-2, D16/6-10, 8; 354/286, 288, 152-158, 400

[56] References Cited

U.S. PATENT DOCUMENTS

D. 263,310	3/1982	Kato	D16/8
D. 267,955	2/1983	Kato	D16/8
D. 272,829	2/1984	Kato	D16/8
3,868,700	2/1975	Kuramoto	354/288 X
4,118,726	10/1978	Kuramoto	354/286 X
4,317,628	3/1982	Shimizu	354/288
4,432,627	2/1984	Mizokami	354/286 X

4,445,765 5/1984 Yamamoto 354/152 X

FOREIGN PATENT DOCUMENTS

3329897 3/1984 Fed. Rep. of Germany 354/400

208735 12/1983 Japan 354/288

Primary Examiner—Nelson C. Holtje
Attorney, Agent, or Firm—Ostrolenk, Faber, Gerb & Soffen

[57] CLAIM

The ornamental design for a single-lens reflex camera body, as shown and described.

DESCRIPTION

FIG. 1 is a top, front, left side perspective view of a single-lens reflex camera body, showing my new design; FIG. 2 is a rear, bottom, right side perspective view thereof; FIG. 3 is a front elevational view thereof; FIG. 4 is a rear elevational view thereof; FIG. 5 is a top plan view thereof; FIG. 6 is a bottom plan view thereof; FIG. 7 is a left side elevational view thereof; FIG. 8 is a right side elevational view thereof.

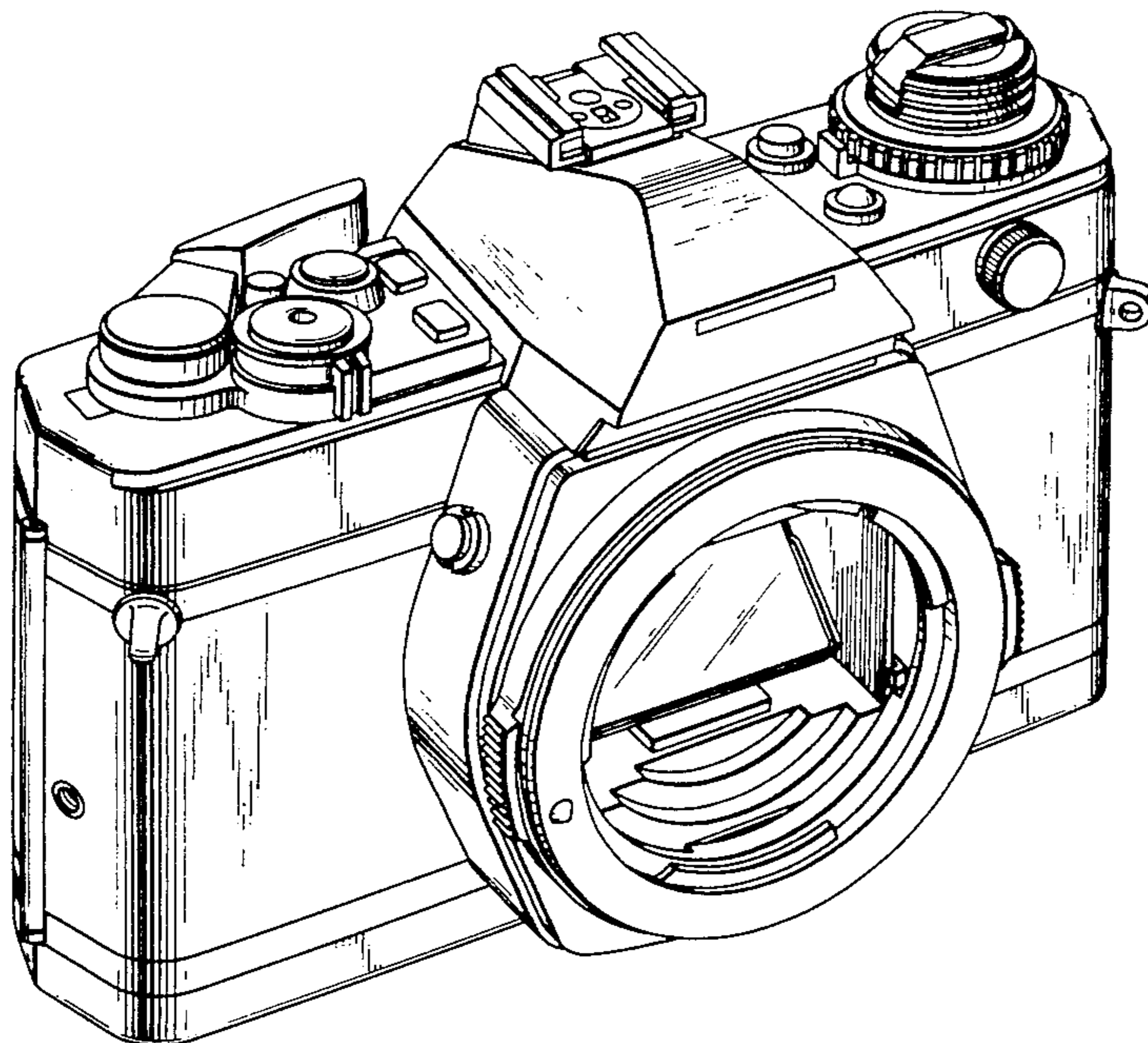


FIG. 1

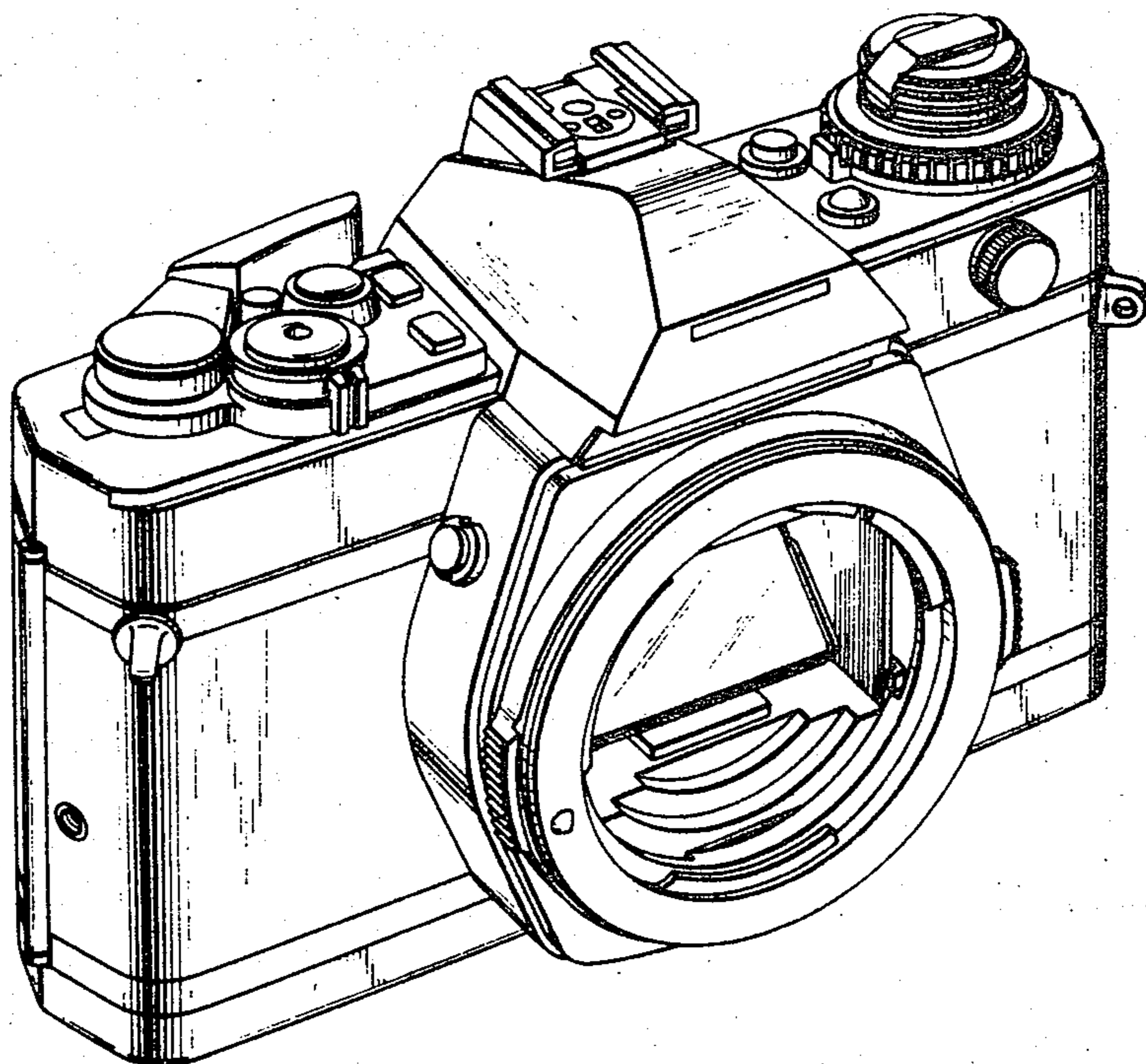


FIG. 2

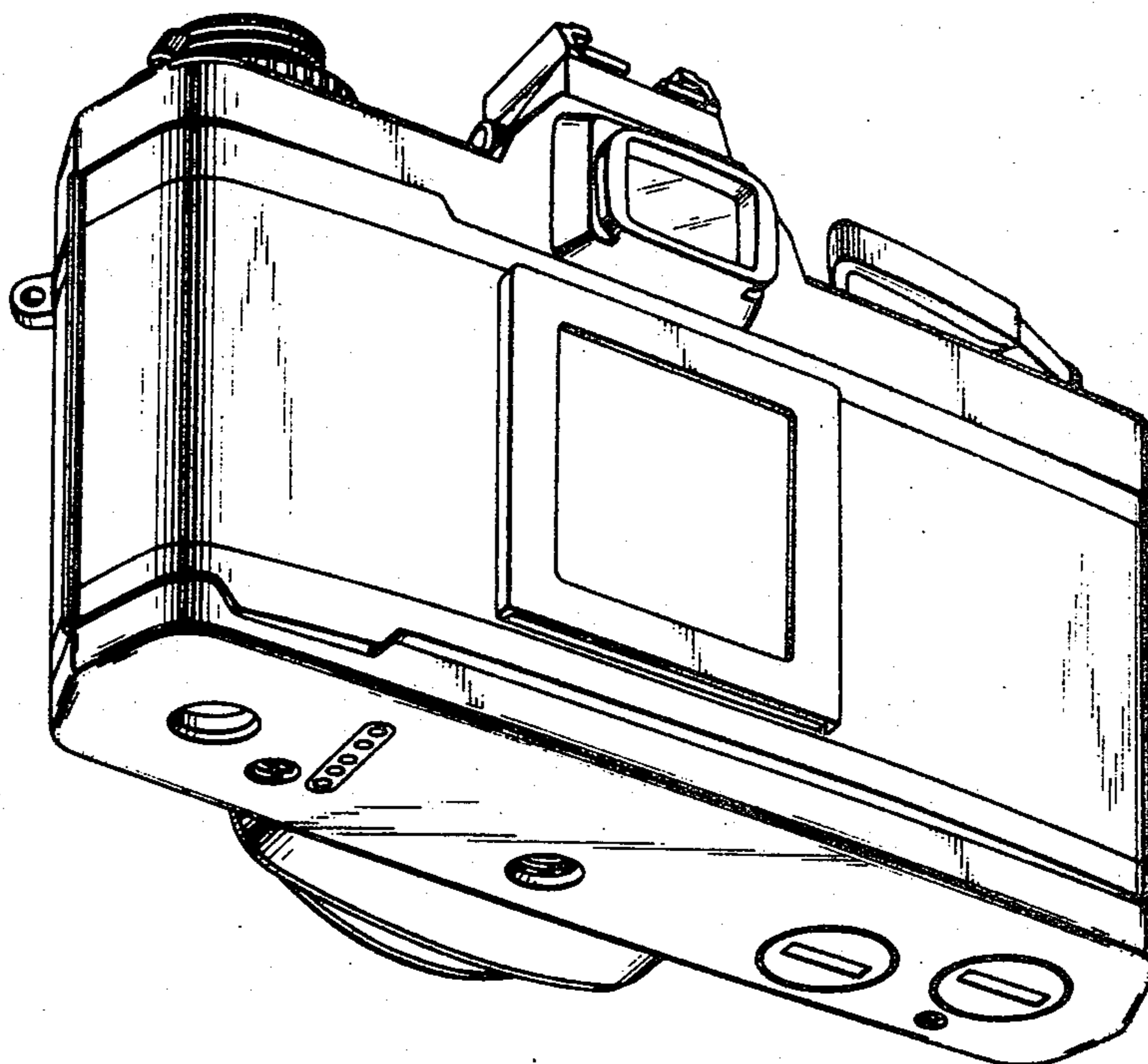


FIG. 3

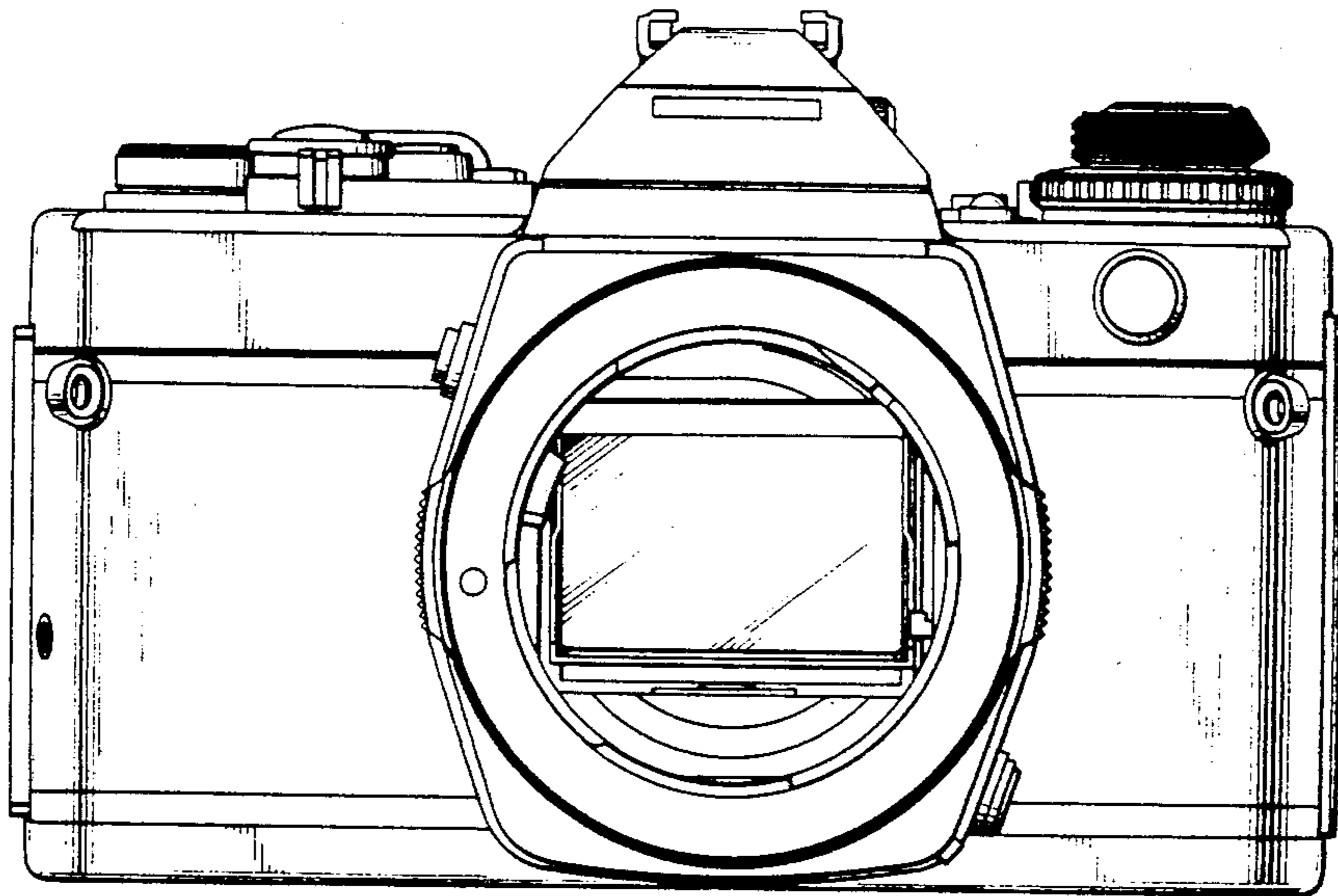


FIG. 4

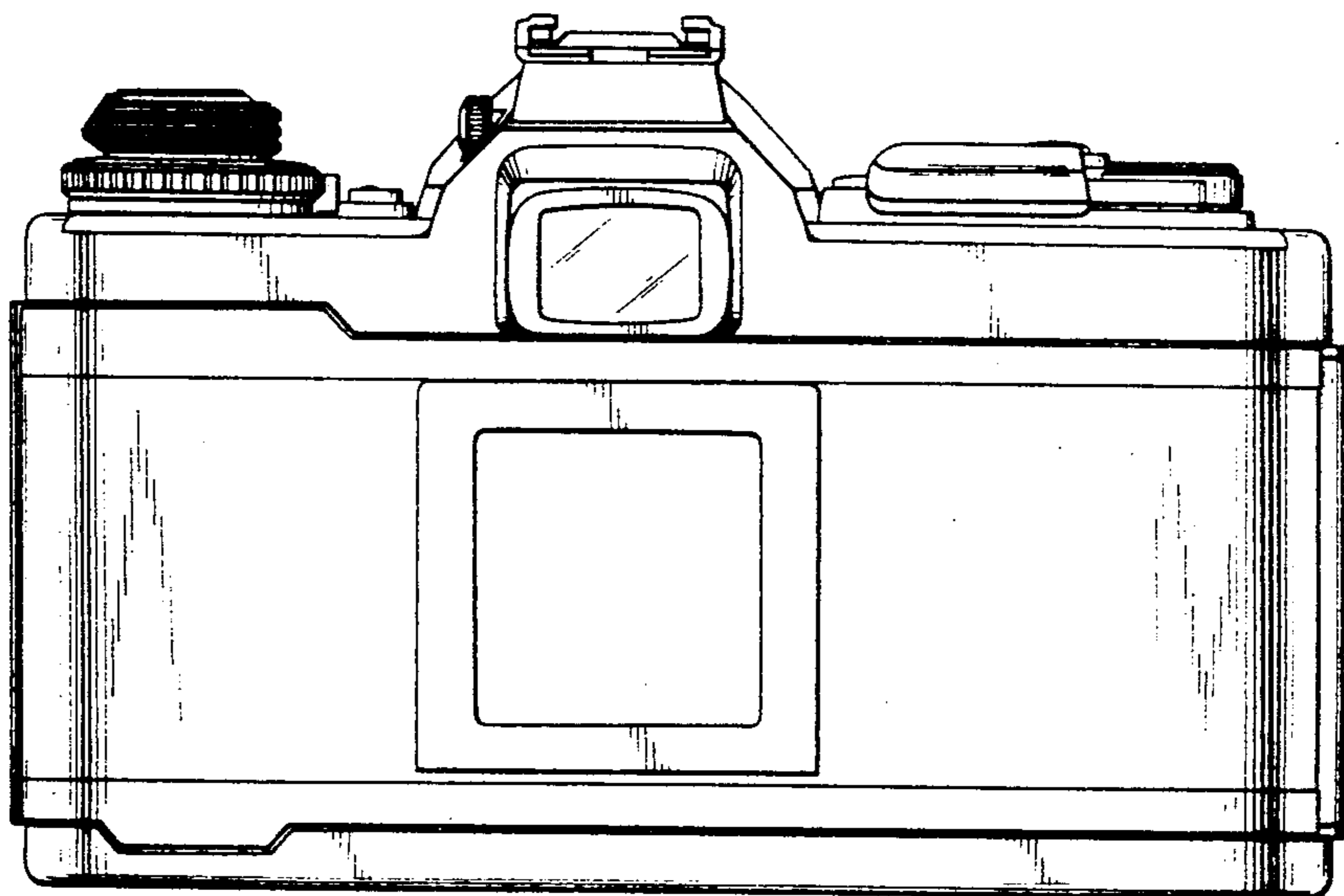


FIG. 5

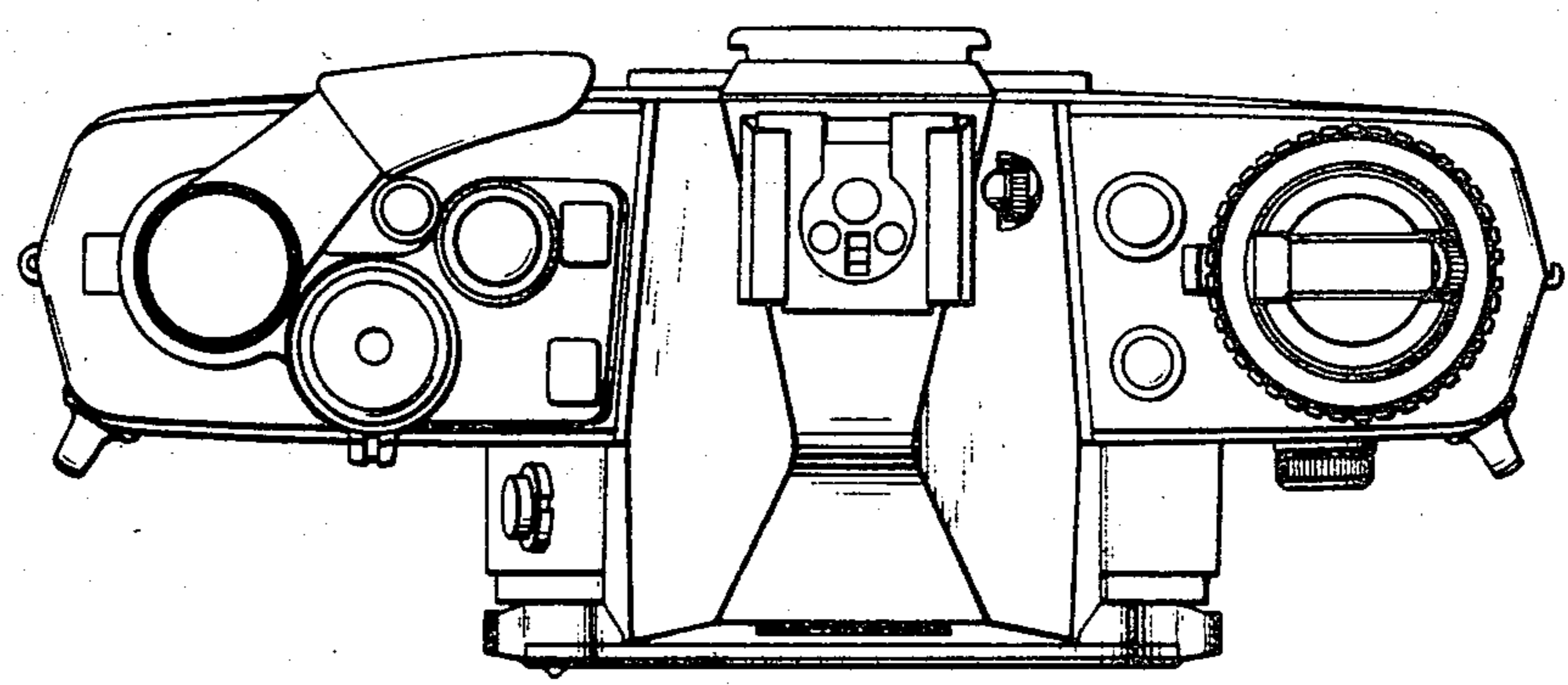


FIG. 6

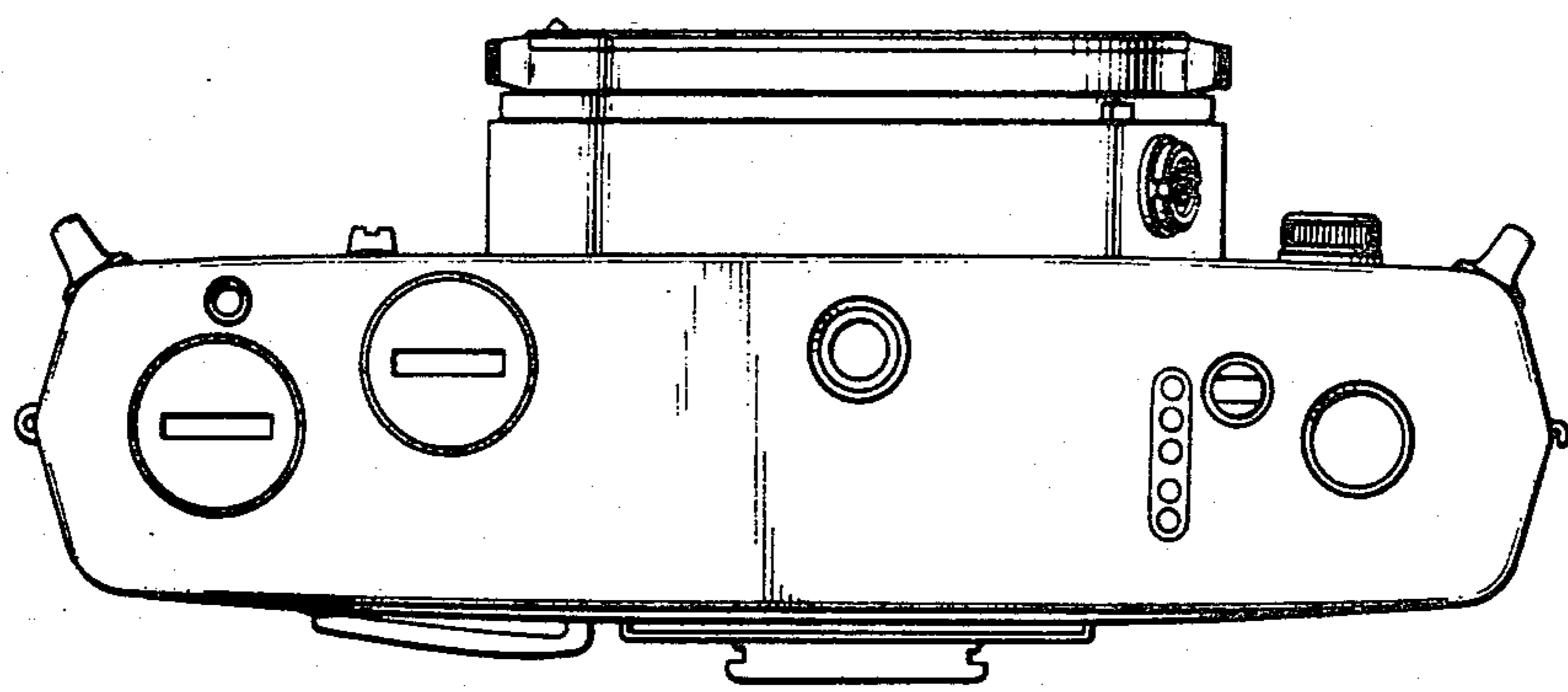


FIG. 7

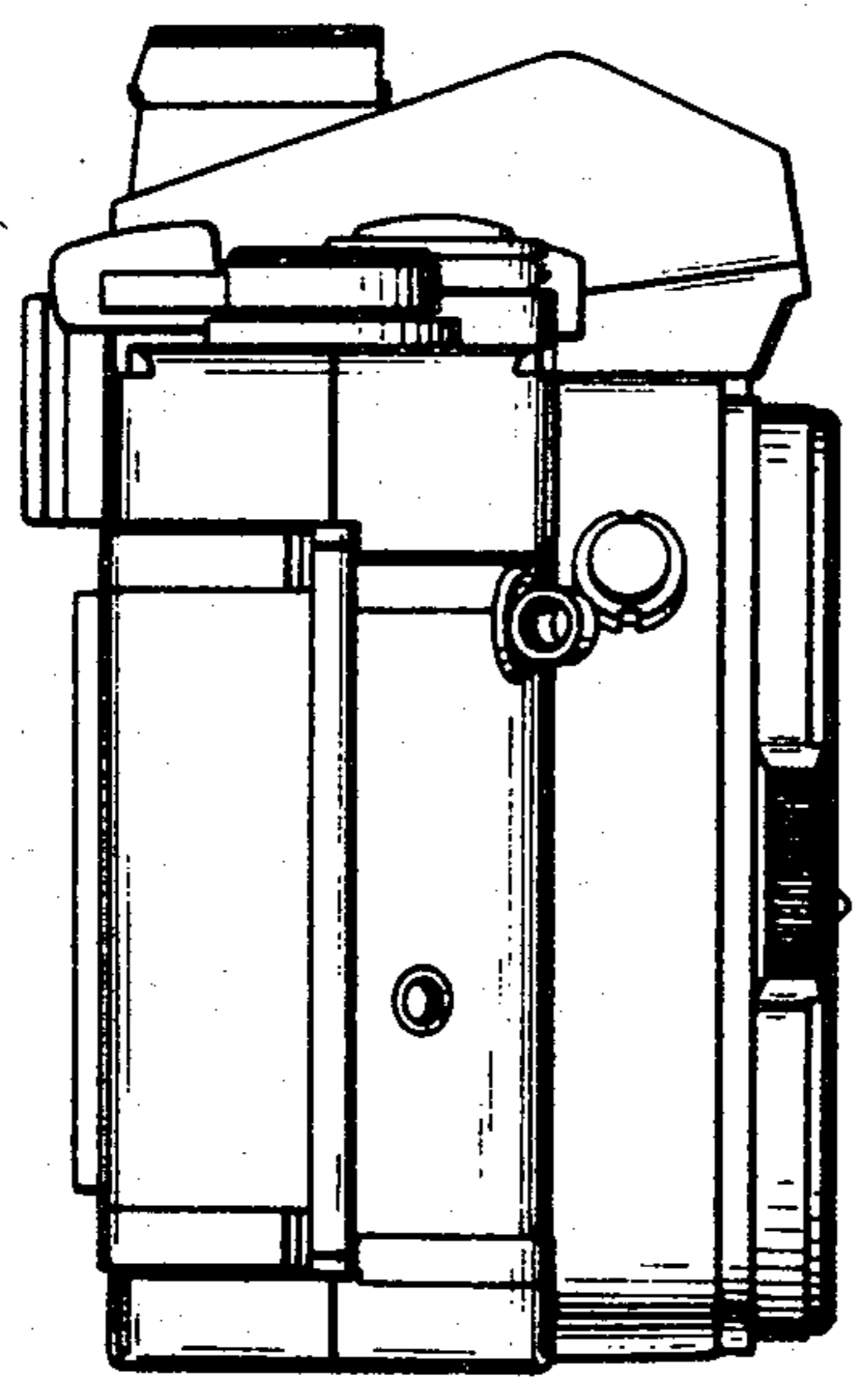


FIG. 8

