

[54] **ADJUSTABLE HOLE CUTTER HOUSING**

[76] Inventor: **Myron B. Mittleman**, 35 Sutton Pl.,  
New York, N.Y. 10022

[\*\*] Term: **14 Years**

[21] Appl. No.: **474,244**

[22] Filed: **Mar. 10, 1983**

**Related U.S. Application Data**

[63] Continuation-in-part of Ser. No. 312,751, Oct. 19, 1981,  
Pat. No. Des. 279,477.

[52] U.S. Cl. .... **D15/139**

[58] Field of Search ..... D15/138, 139, 141, 130,  
D15/132; 408/195, 196

[56] **References Cited**

**U.S. PATENT DOCUMENTS**

D. 279,477	7/1985	Mittleman .....	D15/139
860,020	7/1907	Dearholt .....	408/195
1,354,848	10/1920	Schilling .....	408/196
1,537,376	5/1925	Prossert .....	408/196
2,263,637	11/1941	Maupen .....	408/196

*Primary Examiner*—B. J. Bullock  
*Assistant Examiner*—Suzanne N. Gitlin  
*Attorney, Agent, or Firm*—Howard C. Miskin

[57] **CLAIM**

The ornamental design for an adjustable hole cutter housing, as shown and described.

**DESCRIPTION**

FIG. 1 is a top perspective view of an adjustable hole cutter housing showing my new design;  
FIG. 2 is a bottom perspective view thereof.

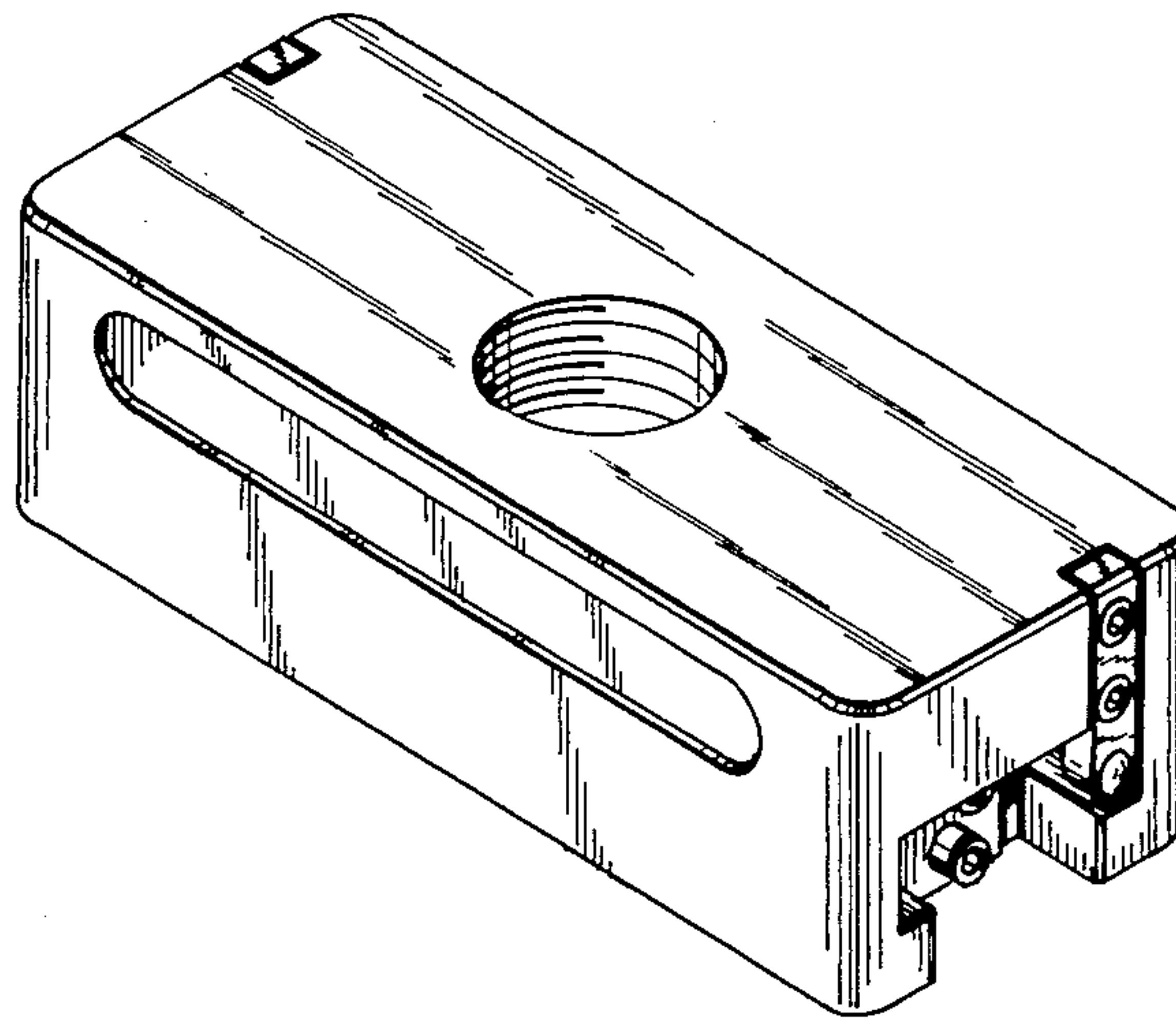


FIG. 1

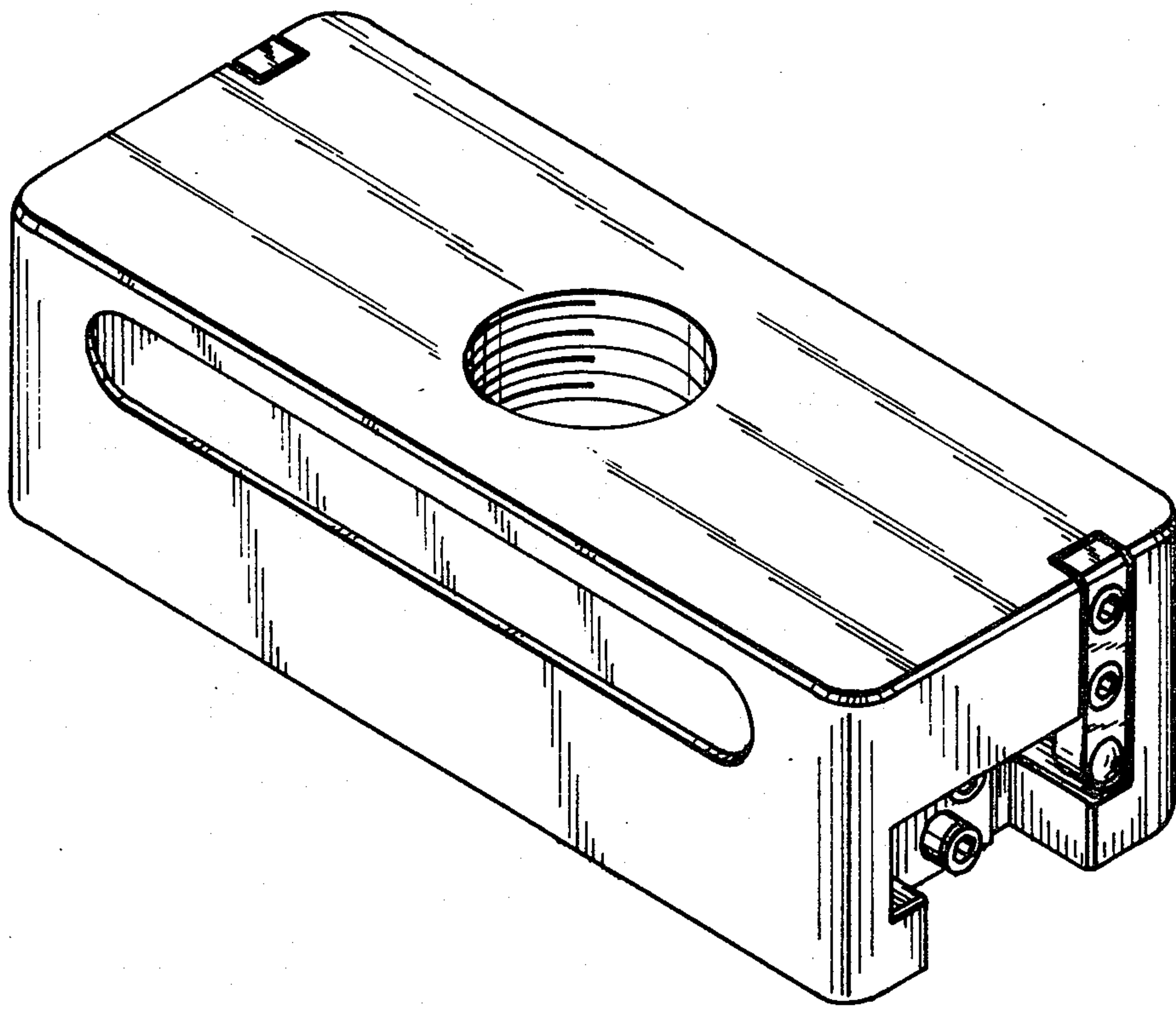


FIG. 2

