

[54] **MOTORCYCLE**

[75] **Inventors: Koji Nakano; Matsuo Hirose; Toshiyuki Yamada, all of Saitama, Japan**

[73] **Assignee: Honda Giken Kogyo Kabushiki Kaisha, Tokyo, Japan**

[\*\*] **Term: 14 Years**

[21] **Appl. No.: 462,199**

[22] **Filed: Jan. 31, 1983**

[52] **U.S. Cl. .... D12/110**

[58] **Field of Search ..... D12/110; 180/219, 221, 180/229, 231**

[56] **References Cited**

**U.S. PATENT DOCUMENTS**

D. 268,999 5/1983 Nakano et al. .... D12/110

**OTHER PUBLICATIONS**

Cycle World, 1/82, p. 31, Honda Nighthawk Motorcycle.

Cycle World, 5/82, p. 63, Honda FT500 Ascot Motorcycle, bottom of page.

*Primary Examiner*—James M. Gandy  
*Attorney, Agent, or Firm*—Lyon & Lyon

[57] **CLAIM**

The ornamental design for a motorcycle, as shown.

**DESCRIPTION**

FIG. 1 is a front elevation view of a motorcycle showing our new design;

FIG. 2 is a rear elevation view thereof;

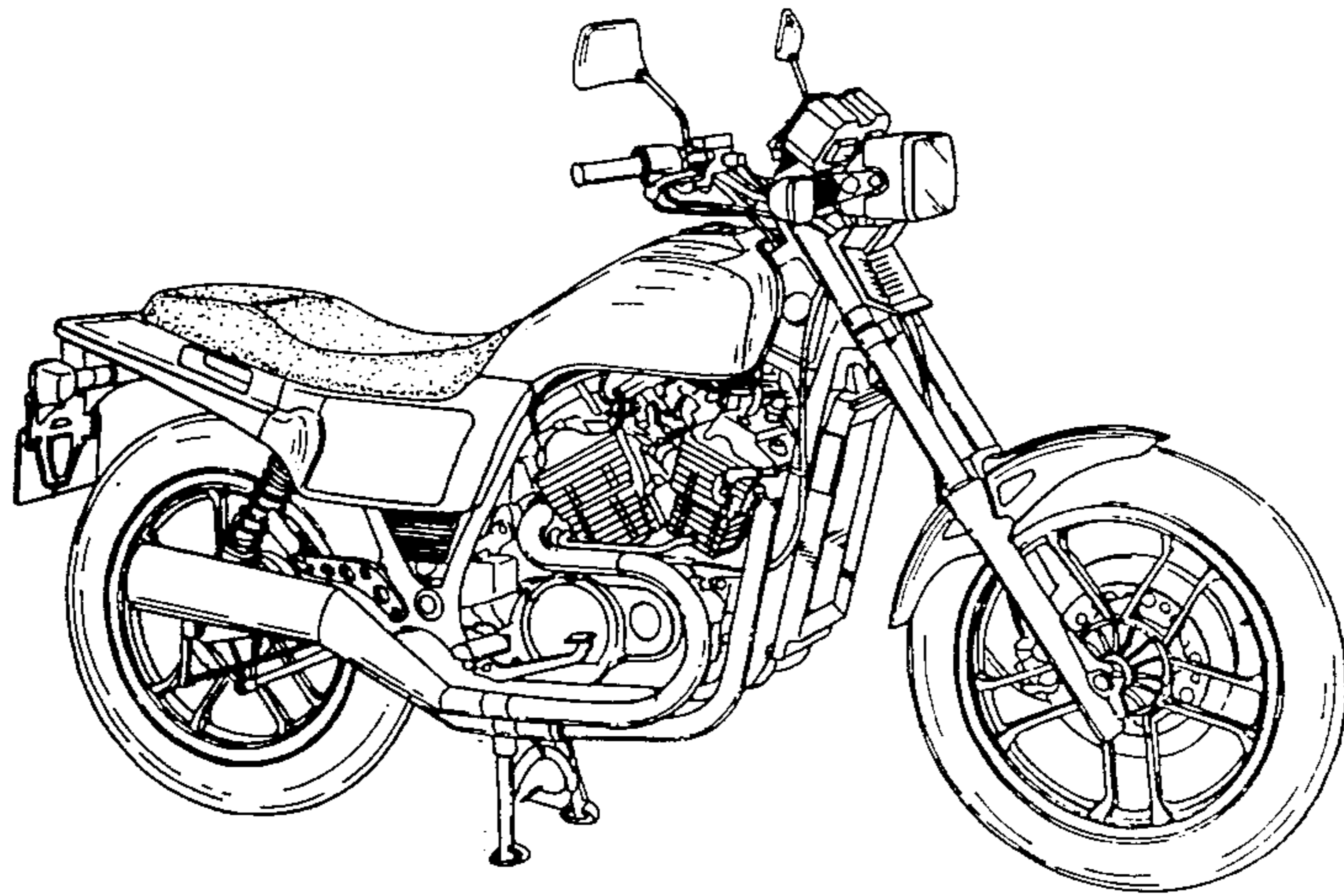
FIG. 3 is a left side elevation view thereof;

FIG. 4 is a right side elevation view thereof;

FIG. 5 is a top plan view thereof;

FIG. 6 is a bottom plan view thereof; and

FIG. 7 is a perspective view thereof.



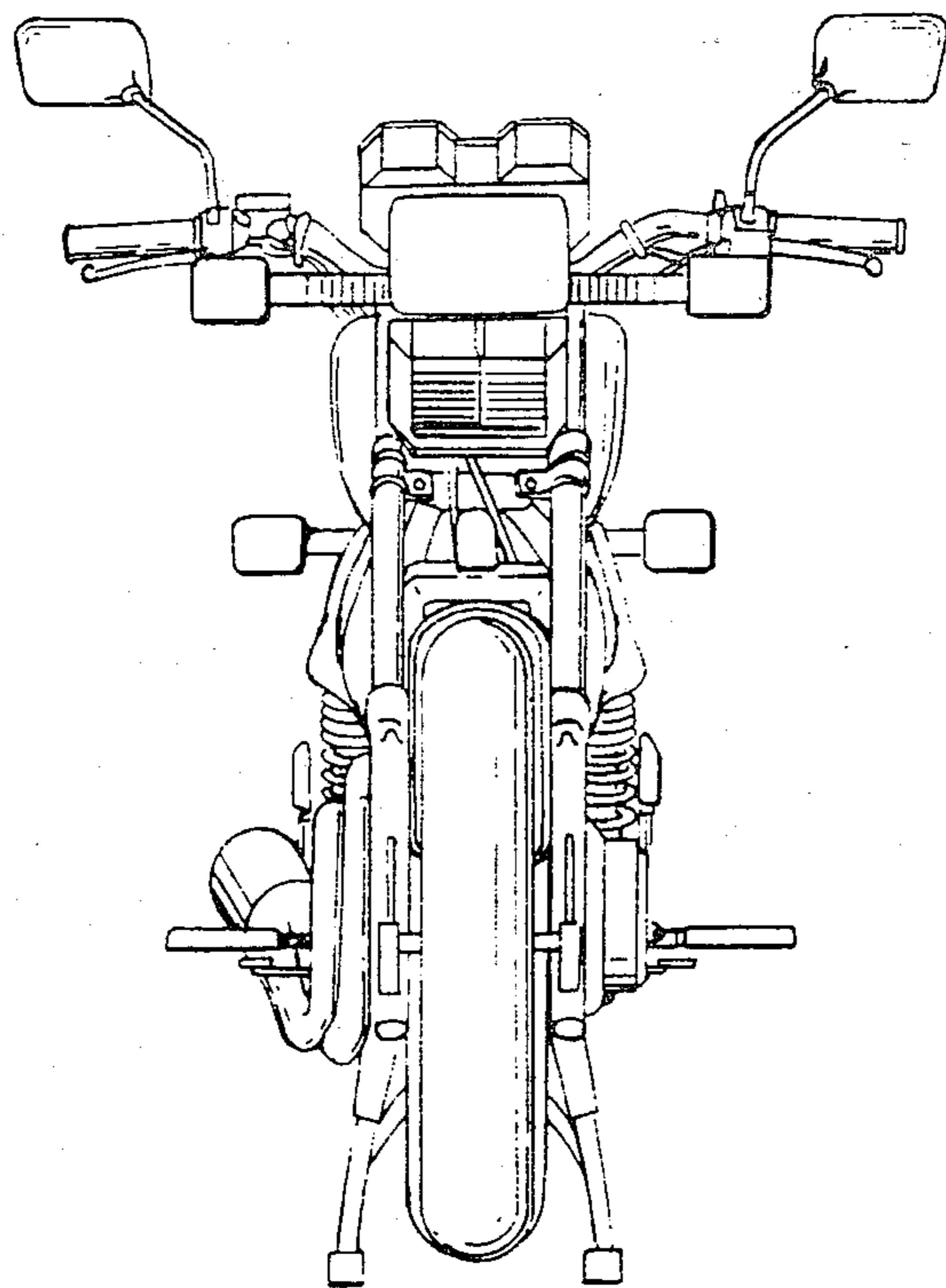


FIG. 1.

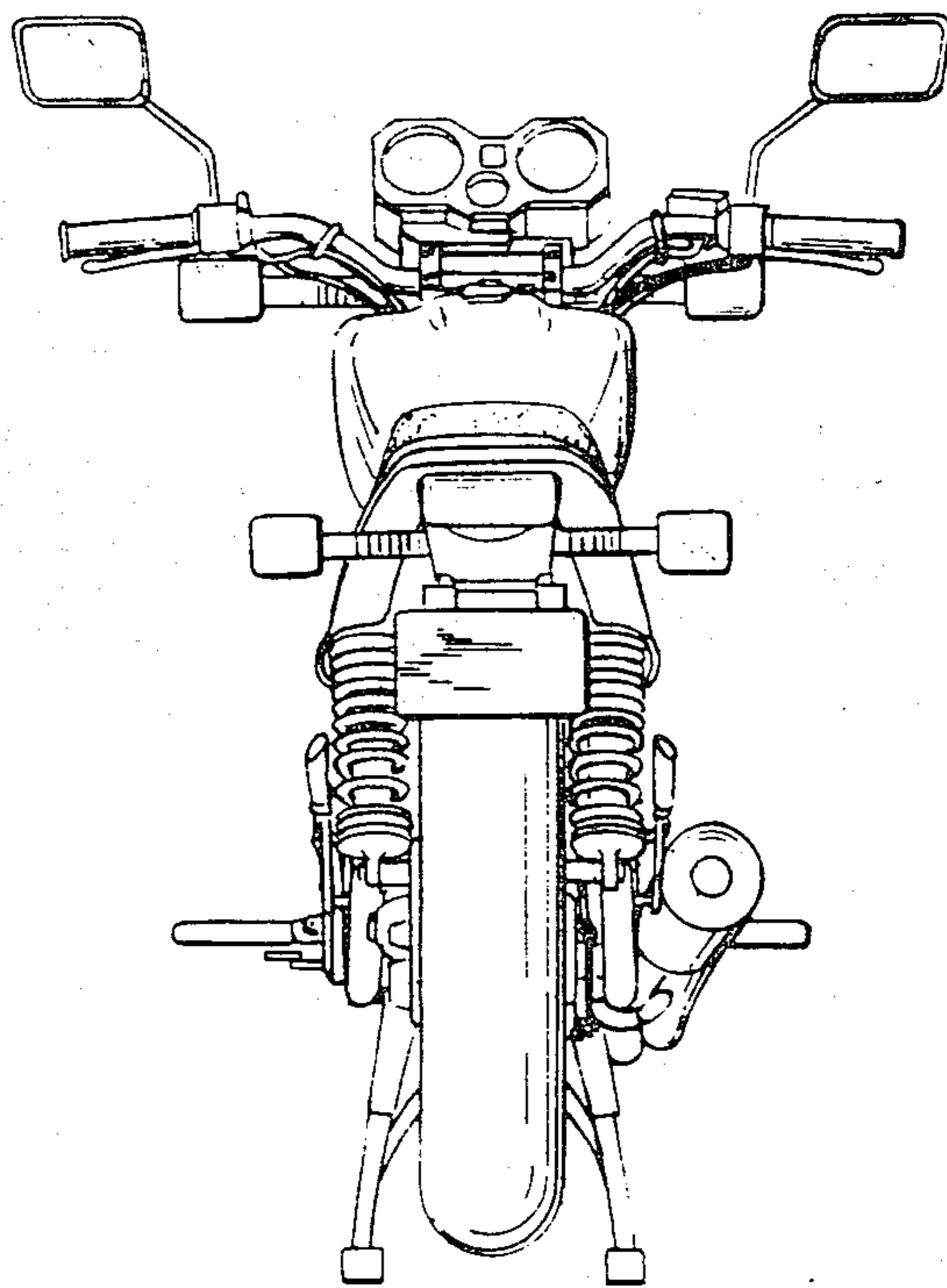


FIG. 2.

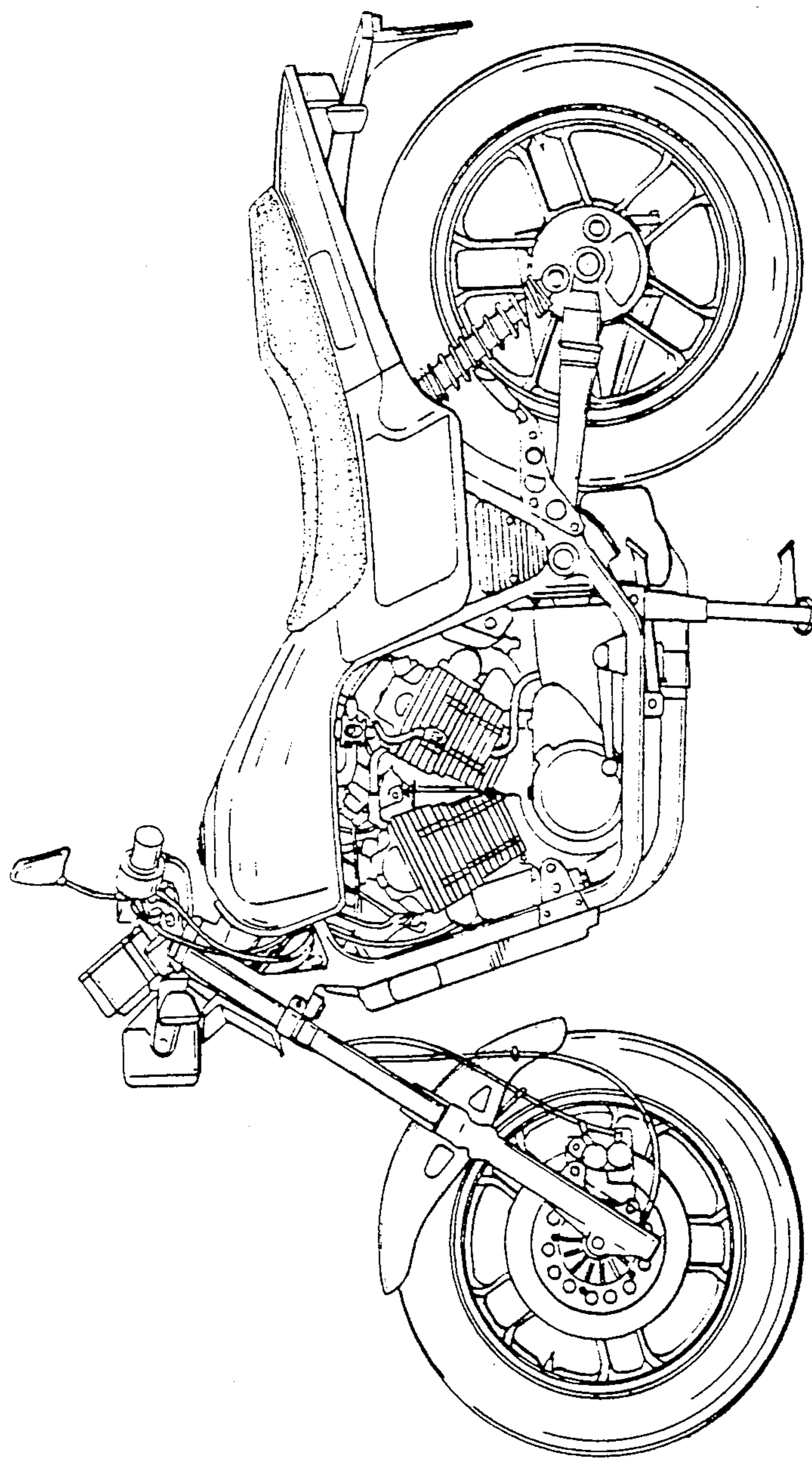


FIG. 3.

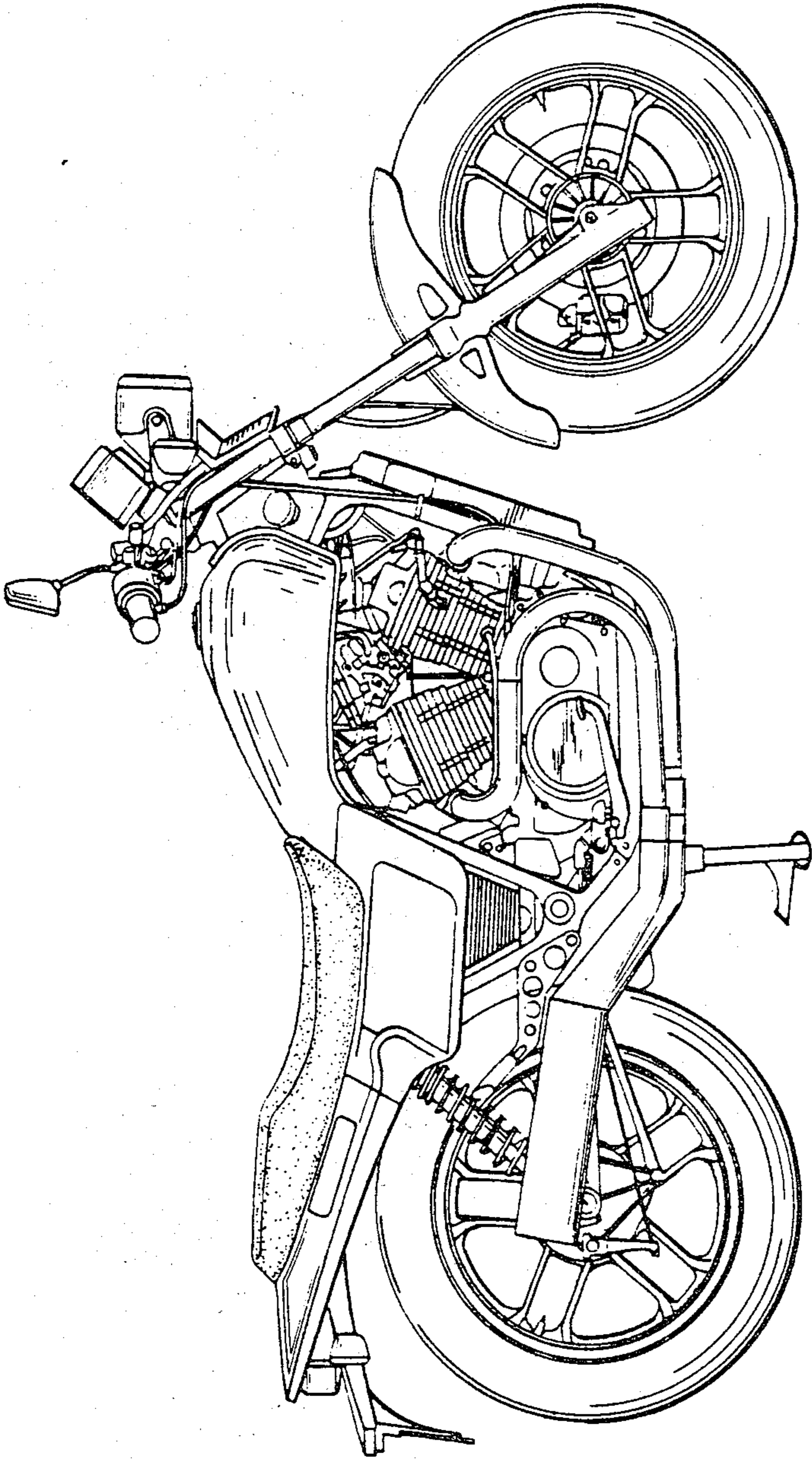


FIG. 4.

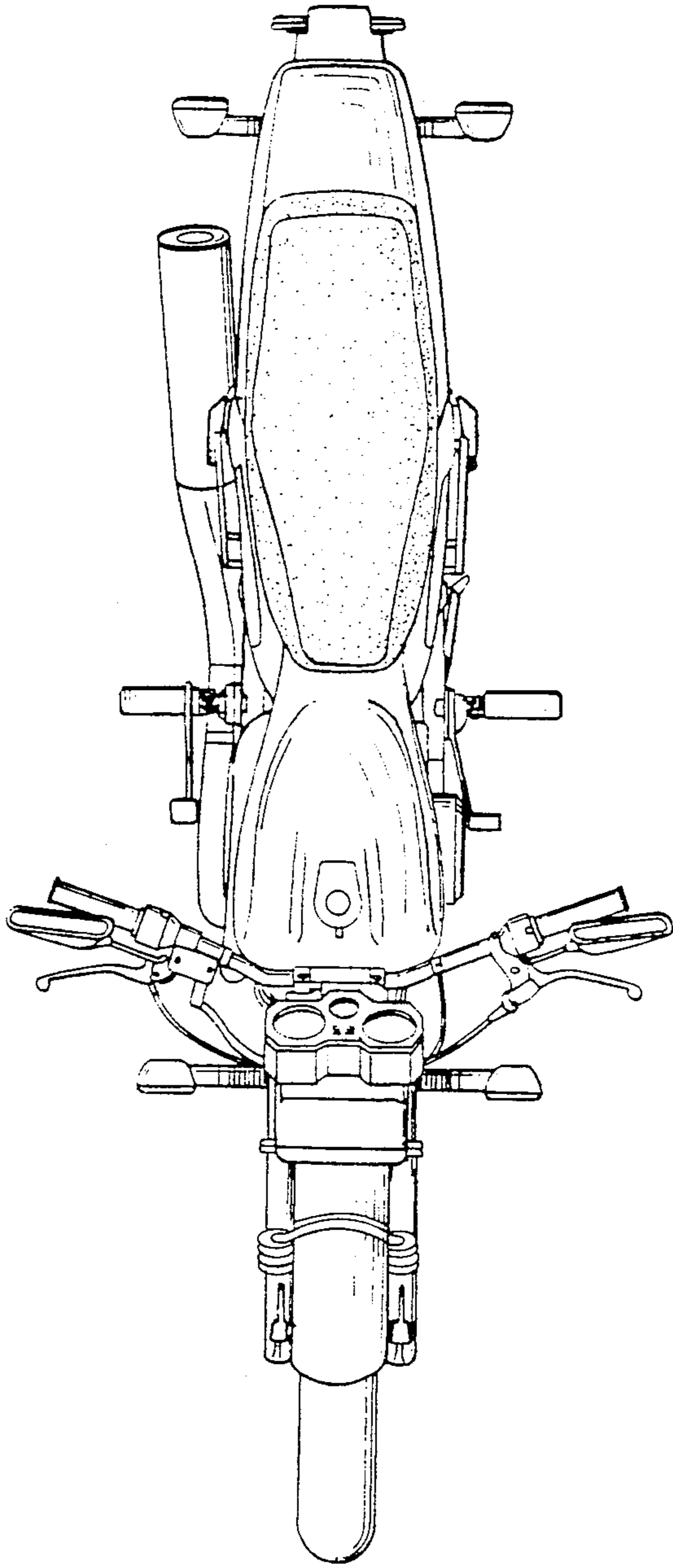


FIG. 5.

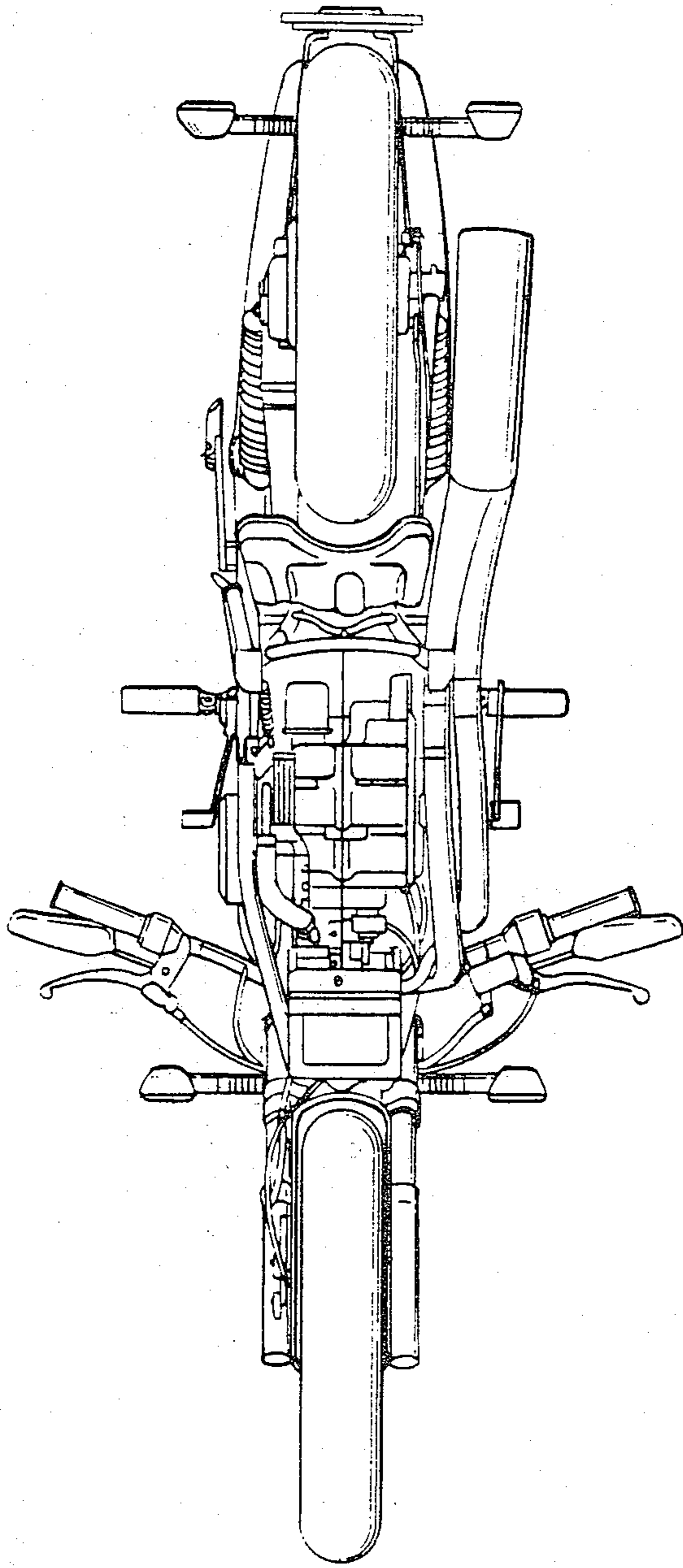
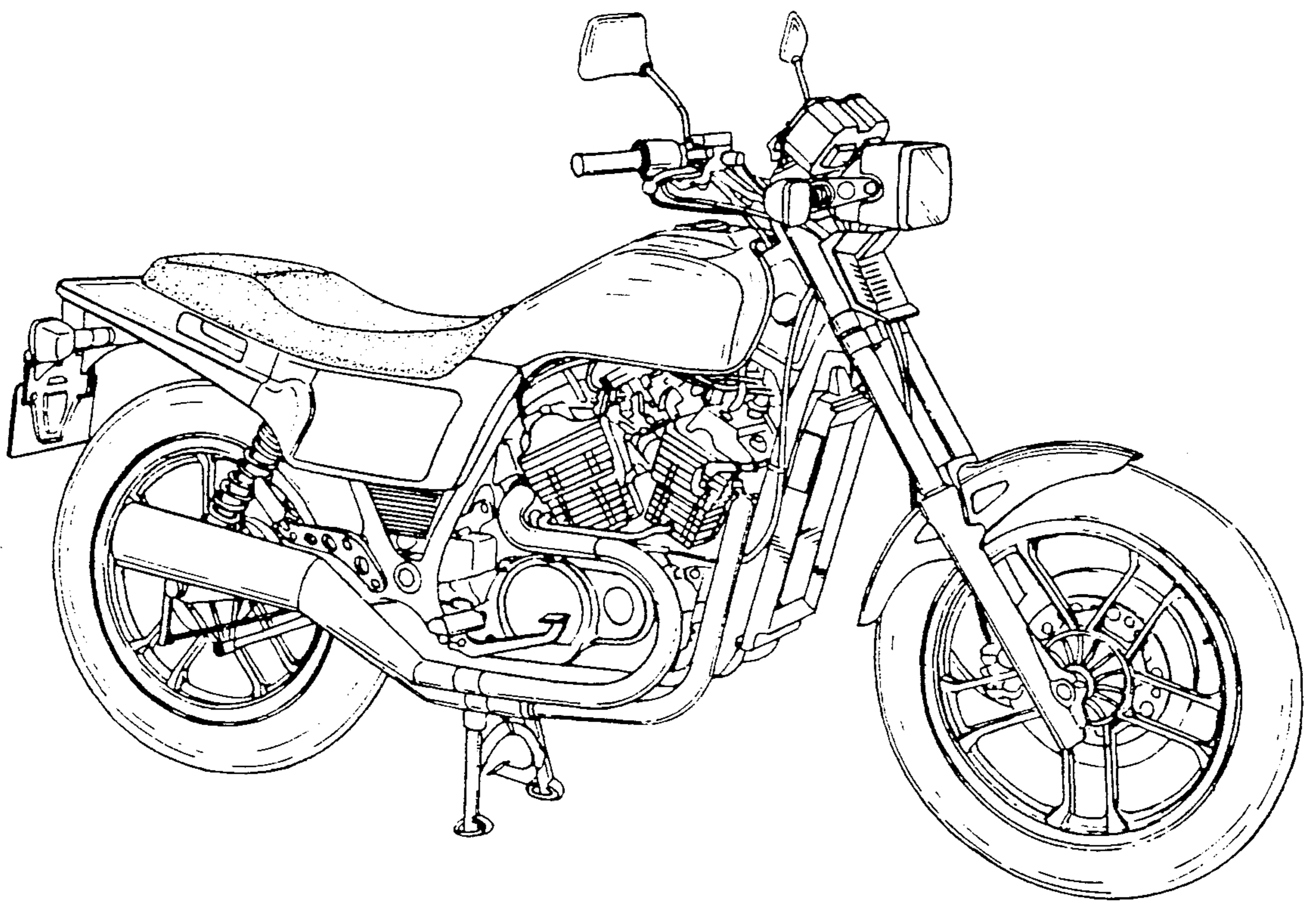


FIG. 6.



*FIG. 7.*