

[54] **PERSONAL SECURITY ALARM**

[76] **Inventor:** Paul S. Francis, 4603 Homestead Dr.,  
Prairie Village, Kans. 66208

[\*\*] **Term:** 14 Years

[21] **Appl. No.:** 640,299

[22] **Filed:** Aug. 13, 1984

[52] **U.S. Cl.** ..... D10/106; D10/116

[58] **Field of Search** ..... D10/104, 106, 121, 116;  
340/549, 573, 586, 321, 628

[56] **References Cited**

**U.S. PATENT DOCUMENTS**

3,015,311	1/1962	Rubin .....	340/586
3,171,109	2/1965	Appel .....	340/586
4,358,760	11/1982	Palmer .....	340/628
4,484,181	11/1984	Schwartz .....	340/586

**OTHER PUBLICATIONS**

New Equip. Digest, 4/1978, p. 98, Quic-Alert rescue alarm, middle of page.

*Primary Examiner*—B. J. Bullock

*Assistant Examiner*—Suzanne N. Gitlin

*Attorney, Agent, or Firm*—Kokjer, Kircher, Bradley, Wharton, Bowman & Johnson

[57] **CLAIM**

The ornamental design for a personal security alarm, as shown and described.

**DESCRIPTION**

FIG. 1 is a side elevational view of a personal security alarm showing our new design;

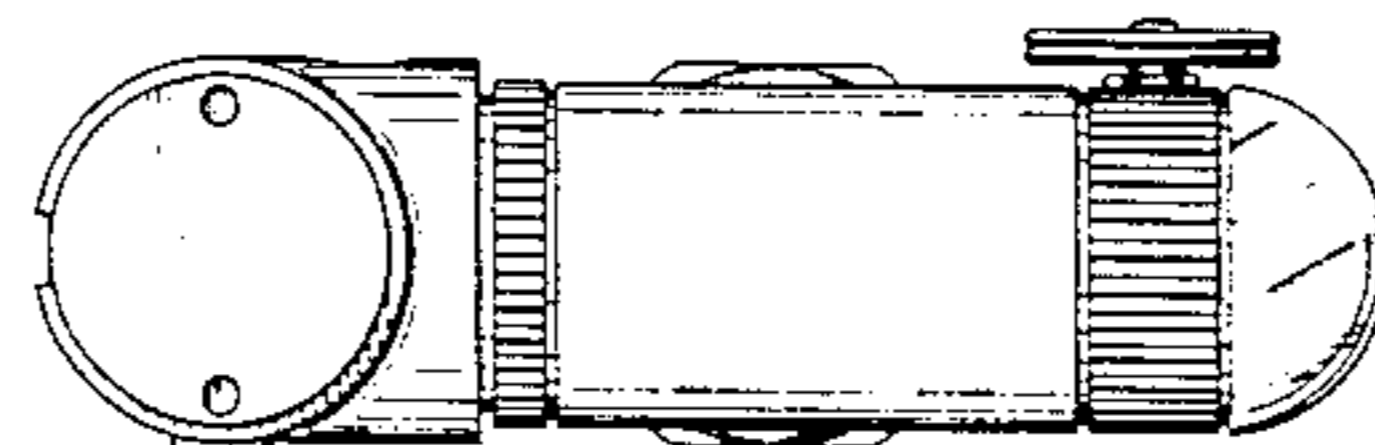
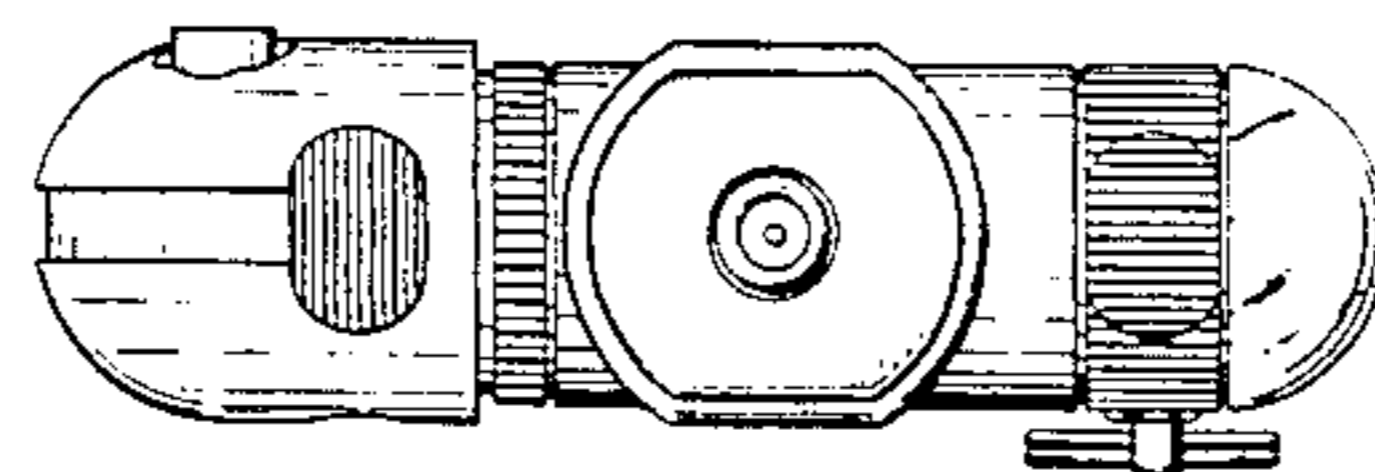
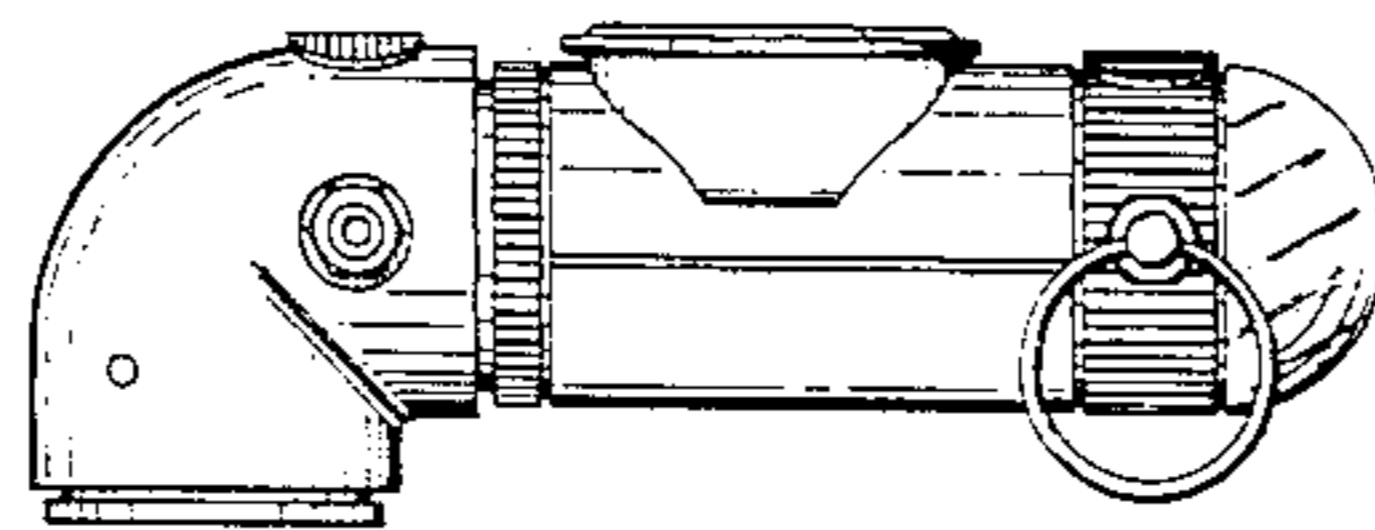
FIG. 2 is an end elevational view taken from the left of FIG. 1;

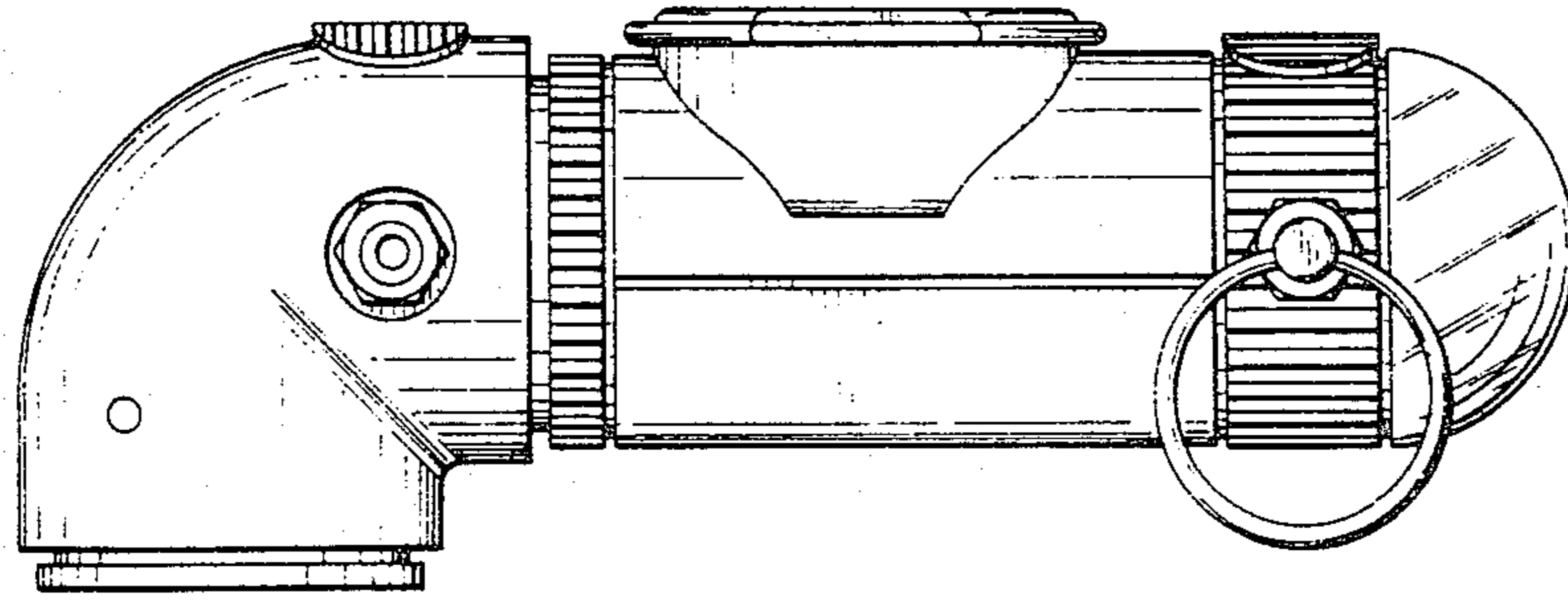
FIG. 3 is an end elevational view taken from the right of FIG. 1;

FIG. 4 is a top plan view thereof;

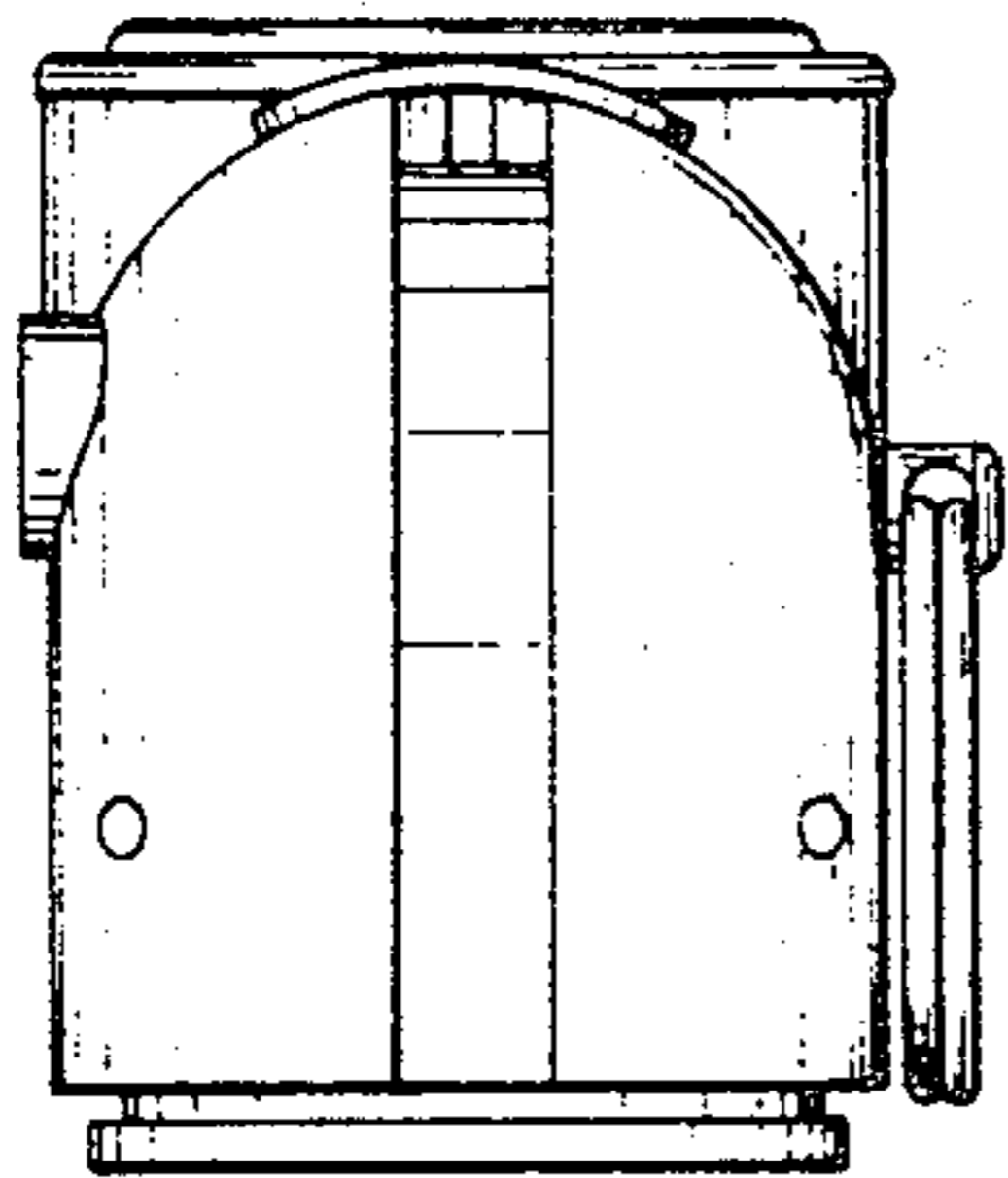
FIG. 5 is a bottom plan view thereof;

FIG. 6 is a side elevational view opposite that seen in FIG. 1.

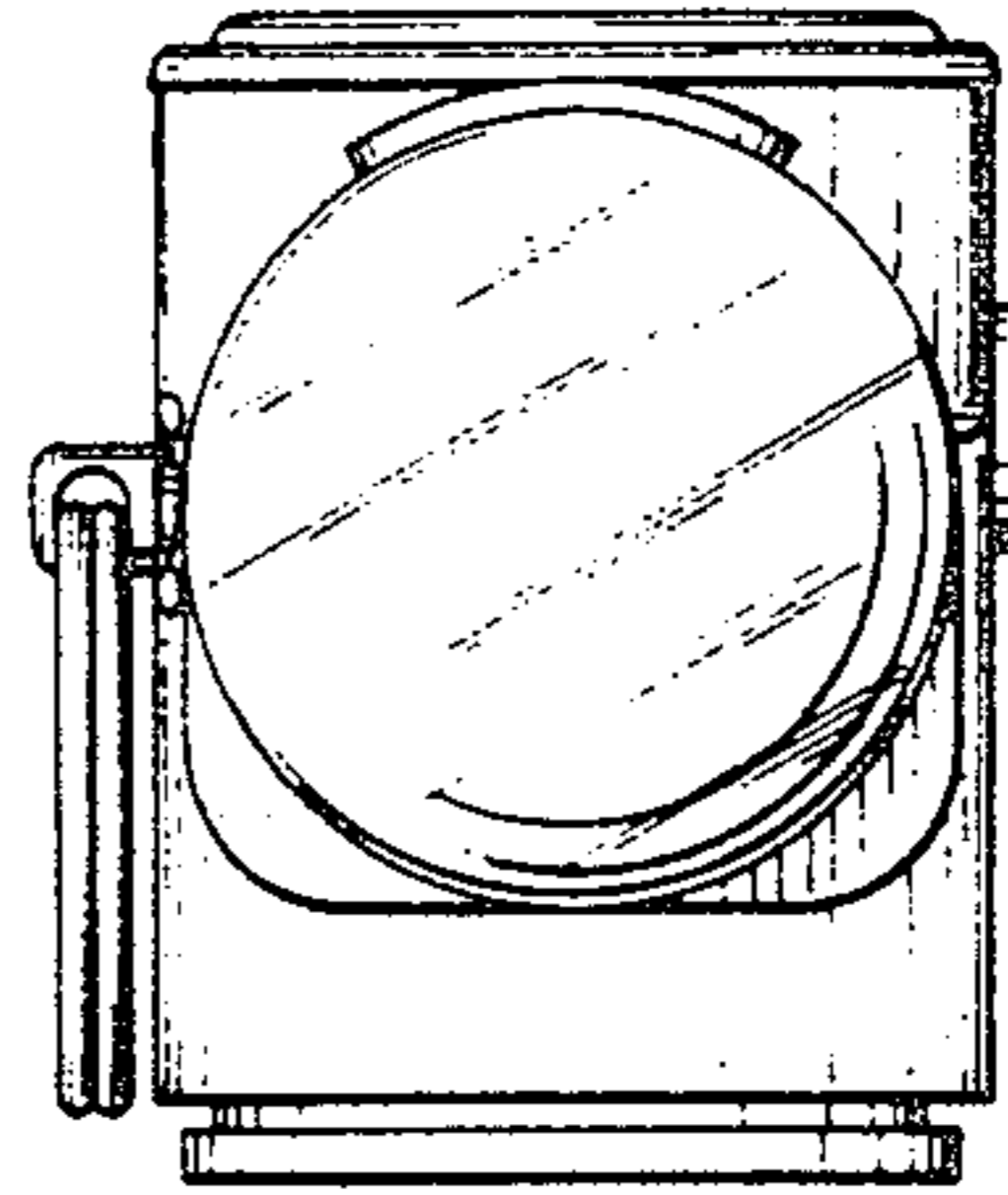




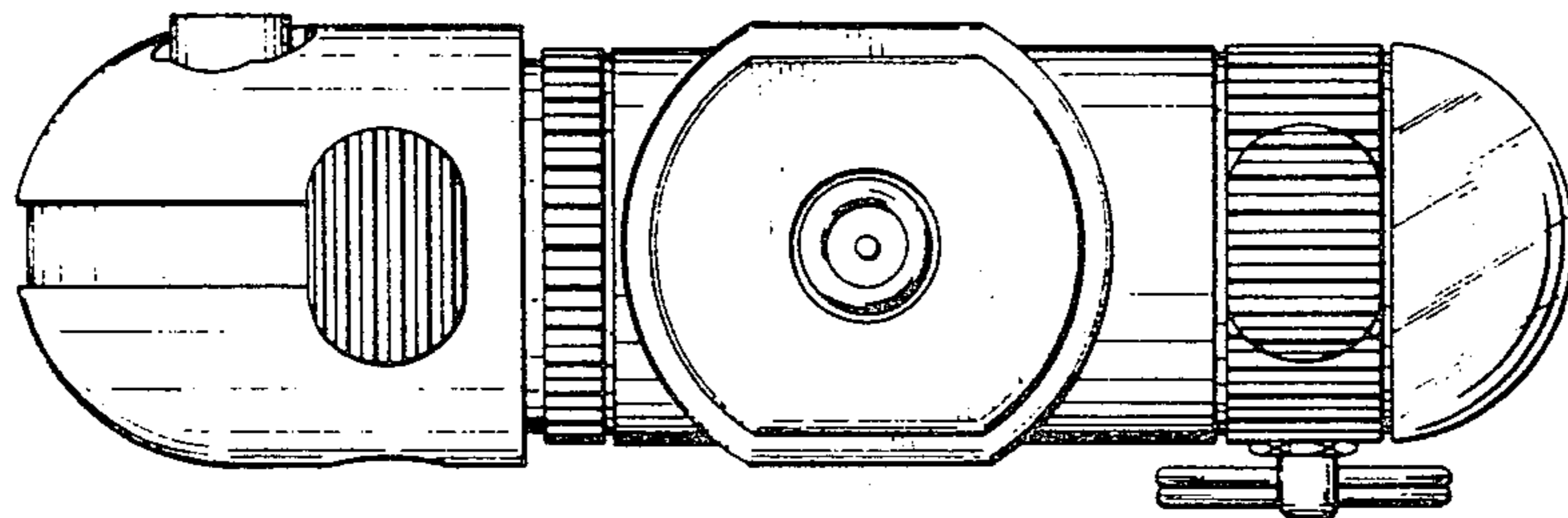
*Fig. 1.*



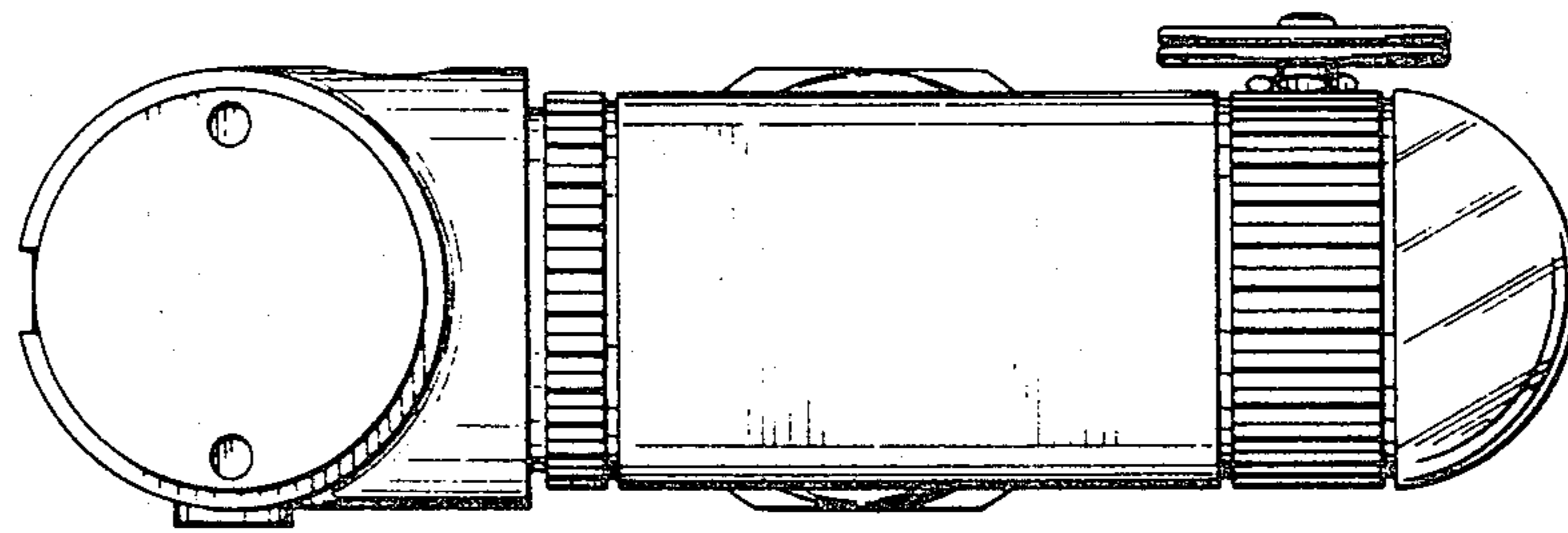
*Fig. 2.*



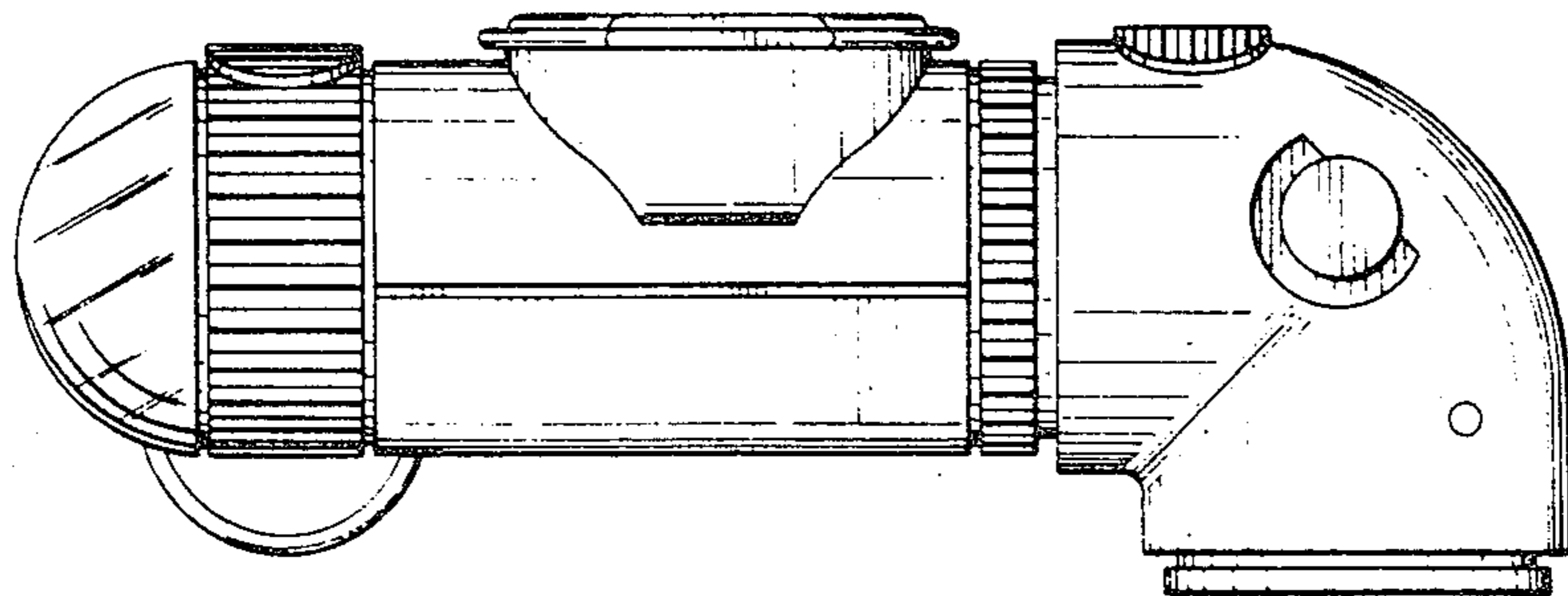
*Fig. 3.*



*Fig. 4.*



*Fig. 5.*



*Fig. 6.*