

[54] LATCHING DEVICE FOR ROLLING GATES

[76] Inventor: Vincent Greco, 195 Huntington Ave., Bronx, N.Y. 10465

[\*\*] Term: 14 Years

[21] Appl. No.: 495,123

[22] Filed: May 16, 1983

[52] U.S. Cl. .... D8/331

[58] Field of Search ..... D8/330, 331; 292/DIG. 46; 70/56

[56] References Cited

U.S. PATENT DOCUMENTS

D. 235,970	7/1975	Greco	.....	D8/331
D. 240,011	5/1976	Greco	.....	D8/331
4,031,719	6/1977	Klingler et al.	.....	70/56
4,240,278	12/1980	Linder	.....	70/56
4,268,074	5/1981	Alexander	.....	292/DIG. 46

4,345,448 8/1982 Solomon ..... 292/DIG. 46

Primary Examiner—B. J. Bullock

Assistant Examiner—Suzanne N. Gitlin

Attorney, Agent, or Firm—Goodman & Teitelbaum

[57] CLAIM

The ornamental design for a latching device for rolling gates, substantially as shown and described.

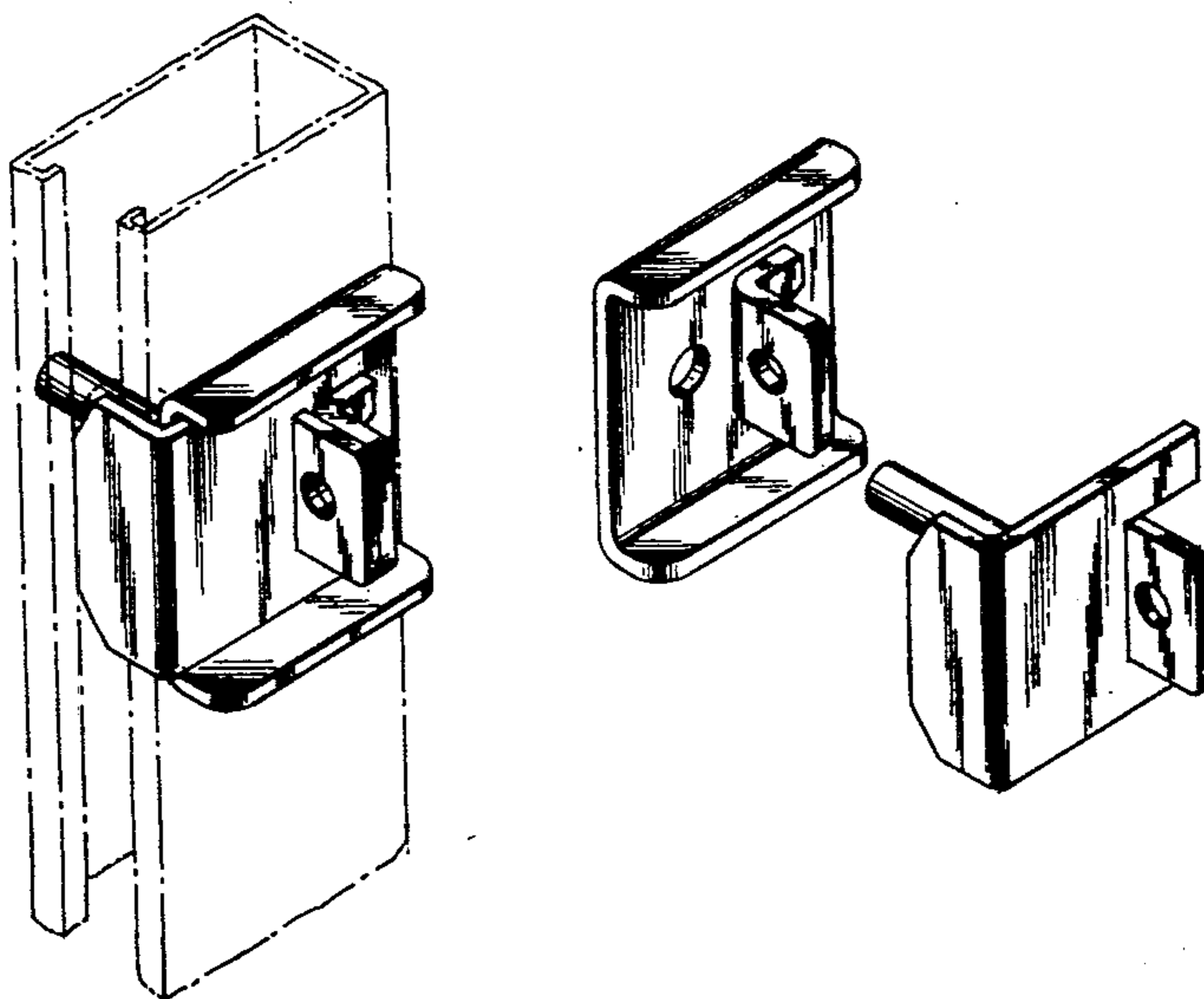
DESCRIPTION

FIG. 1 is a front and left side perspective view of a latching device for rolling gates in assembled condition showing my new design;

FIG. 2 is a front, left side perspective view in separated condition;

FIG. 3 is a rear, right side perspective view of FIG. 2; FIG. 4 is a bottom plan view of FIG. 2.

The broken line representation of a rolling gate side rail in FIG. 1 is for illustrative purposes only.



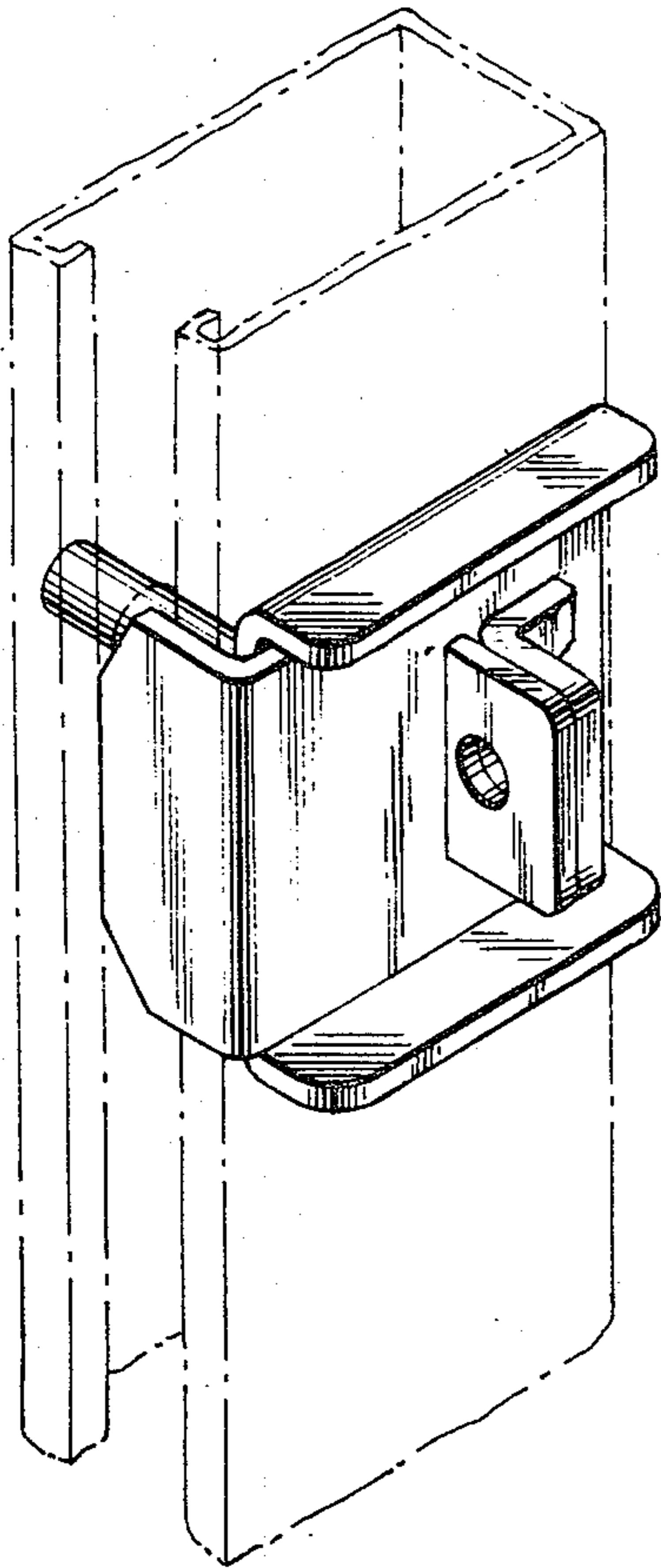


FIG. 1

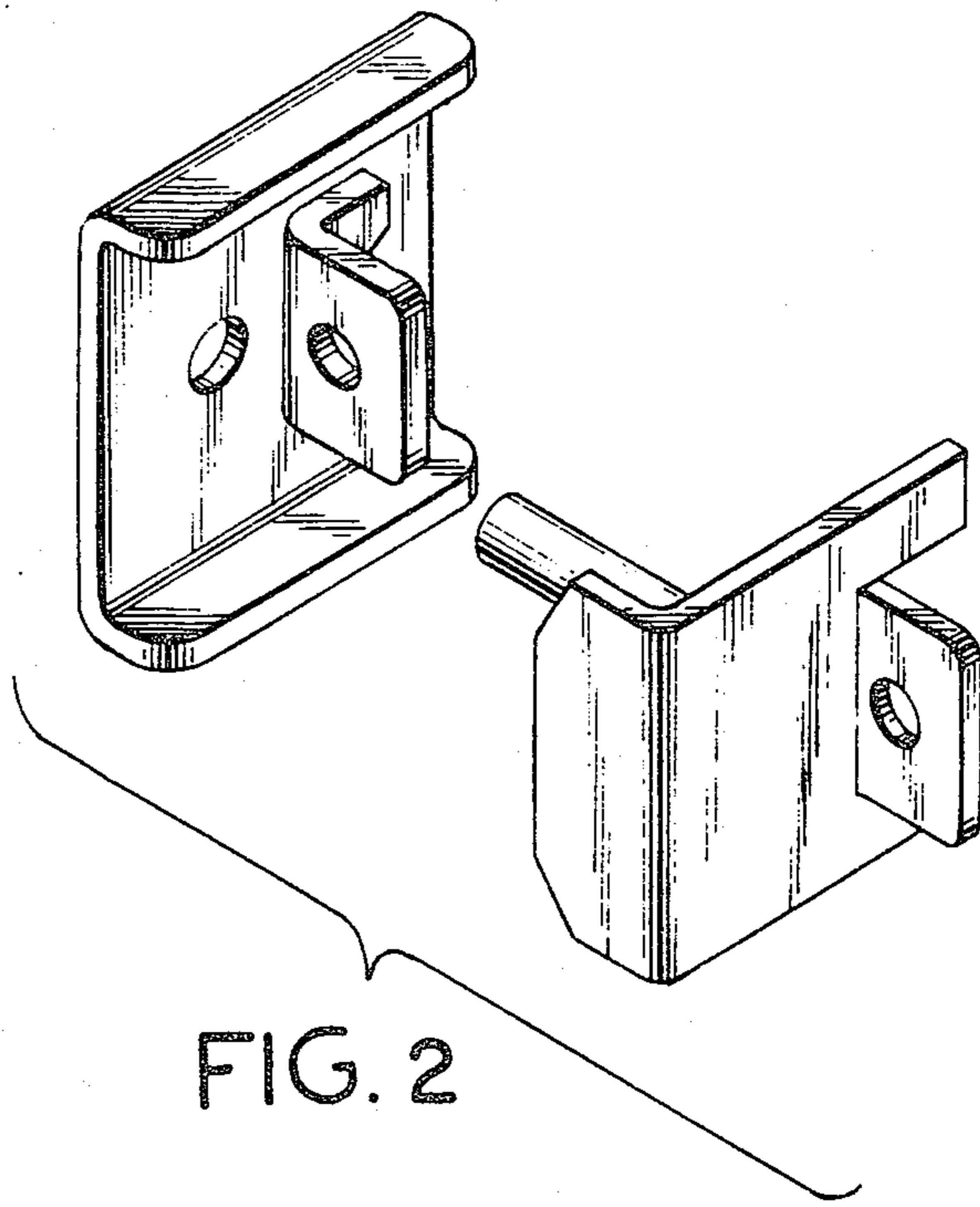


FIG. 2

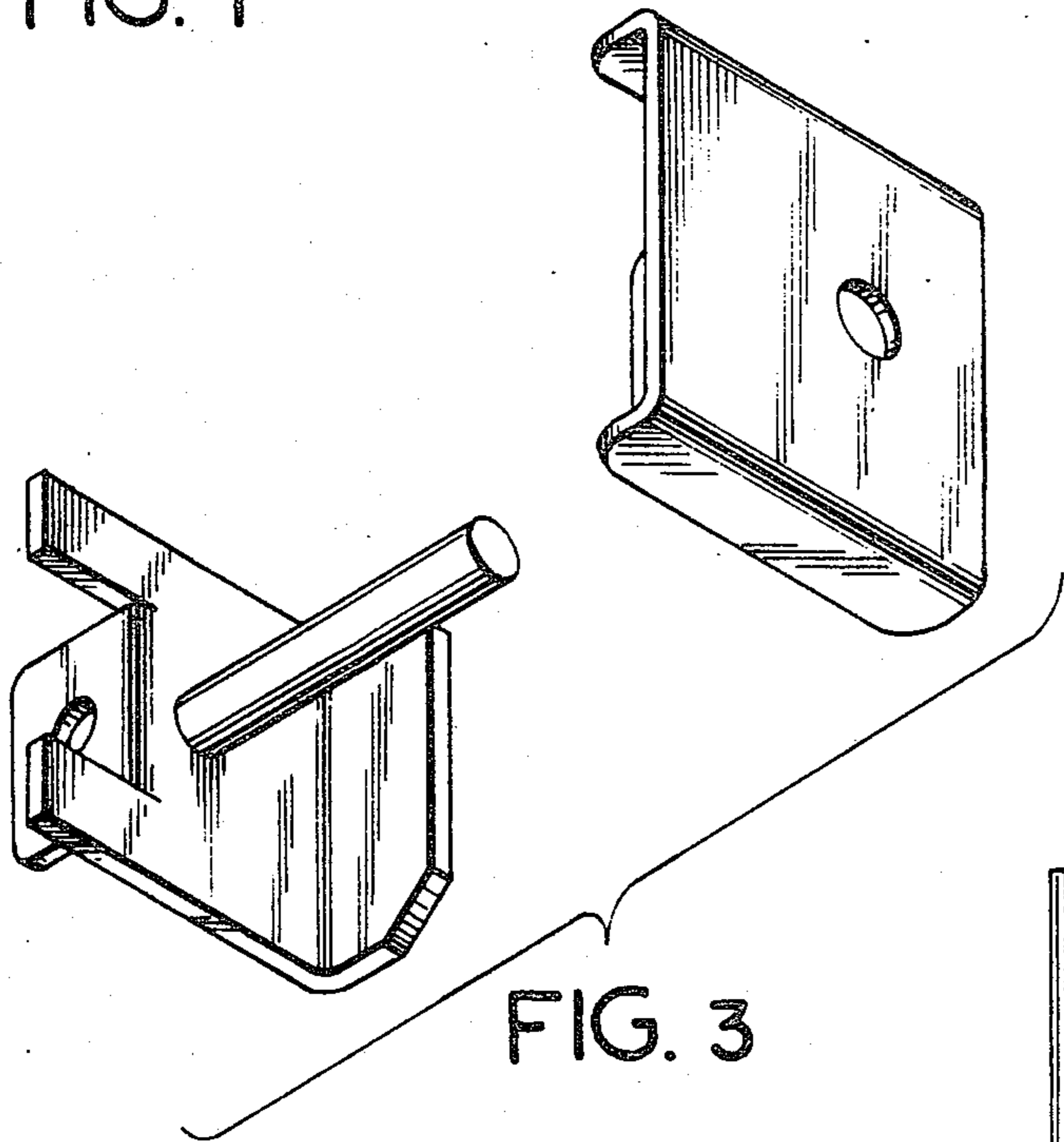


FIG. 3

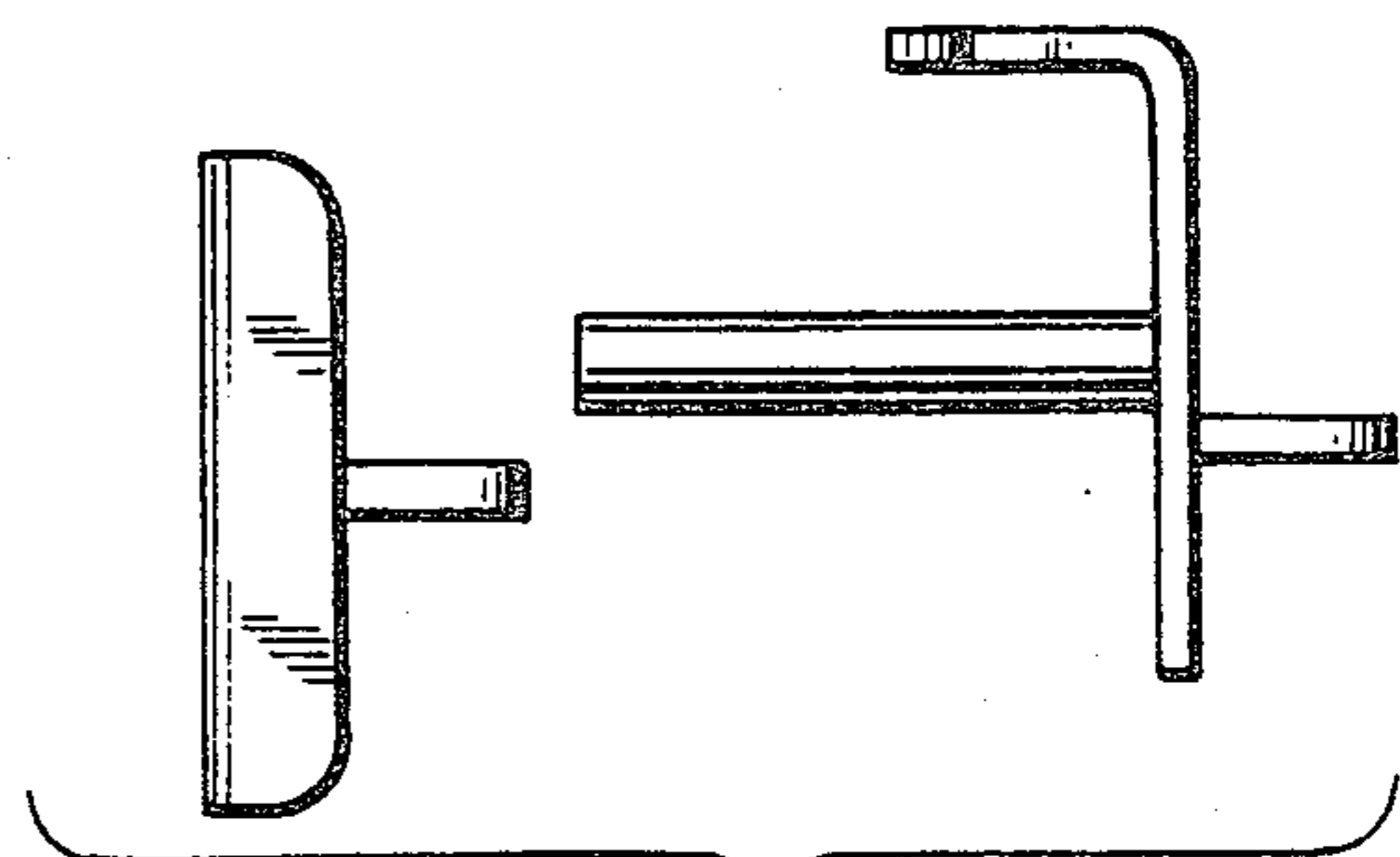


FIG. 4