

[54] **COMPARTMENTED TRAY**  
[75] **Inventor: Michael E. Holzkopf, Libertyville, Ill.**  
[73] **Assignee: Ekco Products, Inc., Wheeling, Ill.**  
[\*\*] **Term: 14 Years**  
[21] **Appl. No.: 549,074**  
[22] **Filed: Nov. 7, 1983**  
[52] **U.S. Cl. .... D7/38; D7/357; D9/347; D9/425**  
[58] **Field of Search ..... D7/38, 357; D9/341, D9/345, 347, 425**

3,051,346 8/1962 Grogel ..... D7/38

**FOREIGN PATENT DOCUMENTS**

2078095 1/1982 United Kingdom ..... D7/38 X

*Primary Examiner—Winifred E. Herrmann*  
*Attorney, Agent, or Firm—Robert D. Teichert*

[57] **CLAIM**

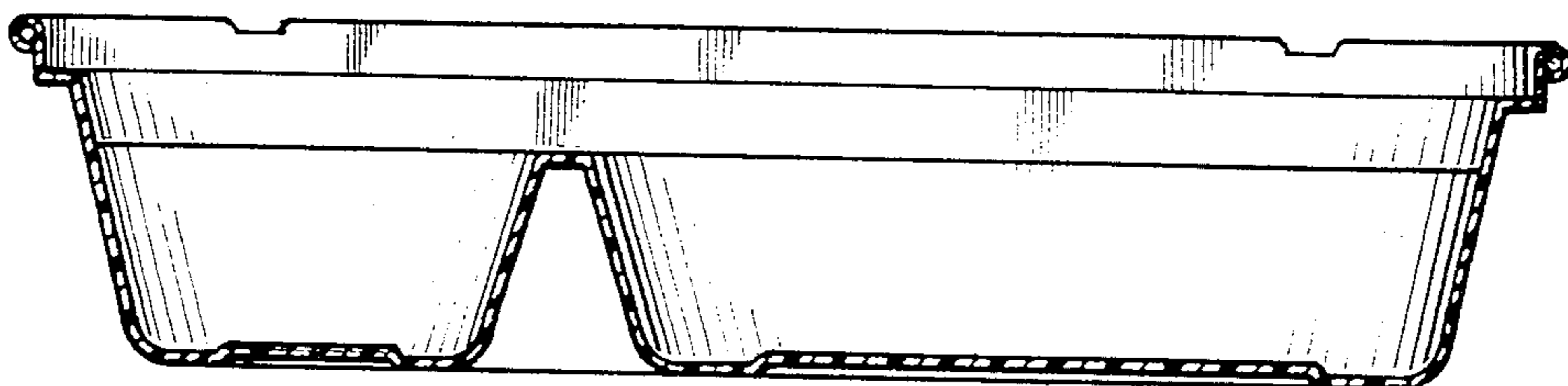
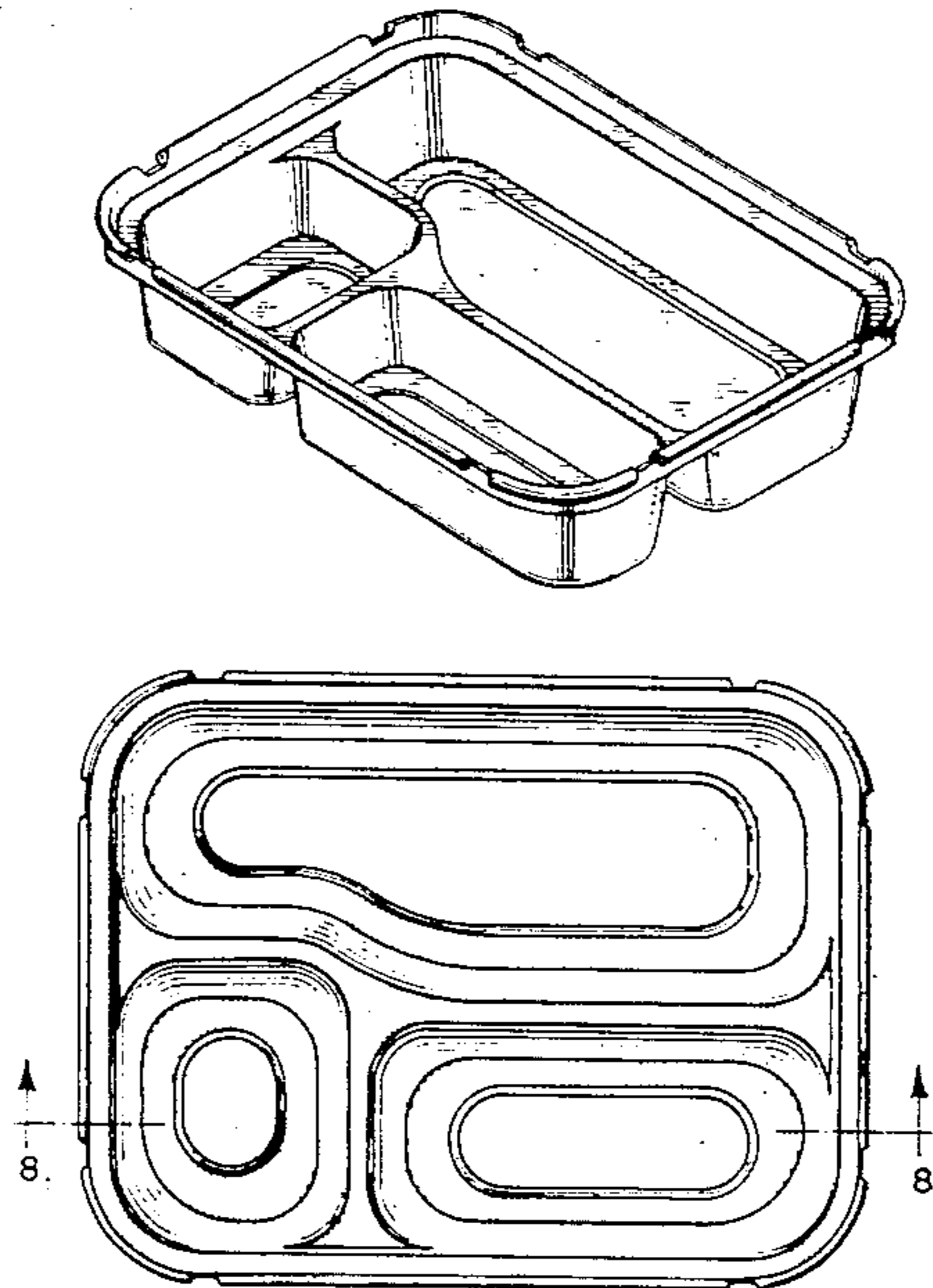
The ornamental design for a compartmented tray, as shown.

**DESCRIPTION**

FIG. 1 is a perspective view of a compartmented tray showing my new design.  
FIG. 2 is a top plan view thereof.  
FIG. 3 is a front elevational view thereof.  
FIG. 4 is a left side elevational view thereof.  
FIG. 5 is a back elevational view thereof.  
FIG. 6 is a right side elevational view thereof.  
FIG. 7 is a bottom view thereof.  
FIG. 8 is a sectional view taken along line 8—8 of FIG. 1.

[56] **References Cited**  
**U.S. PATENT DOCUMENTS**

D. 194,155 11/1962 Gottsgen ..... D9/347  
D. 195,682 7/1963 Grogel ..... D9/347 X  
D. 235,499 6/1975 Day ..... D7/38  
D. 258,632 3/1981 Commisso ..... D7/38  
D. 280,060 8/1985 Holzkopf ..... D7/38



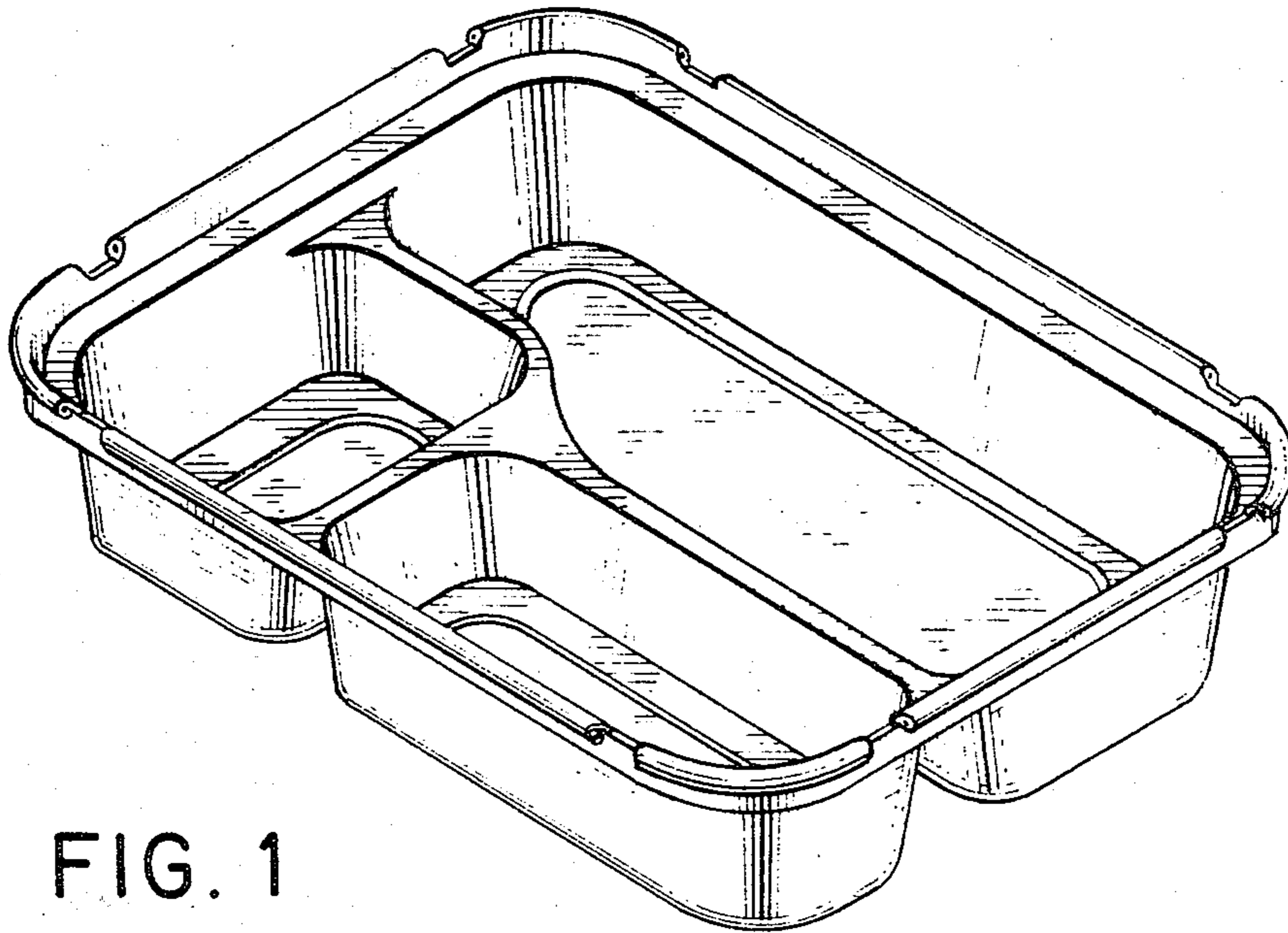


FIG. 1

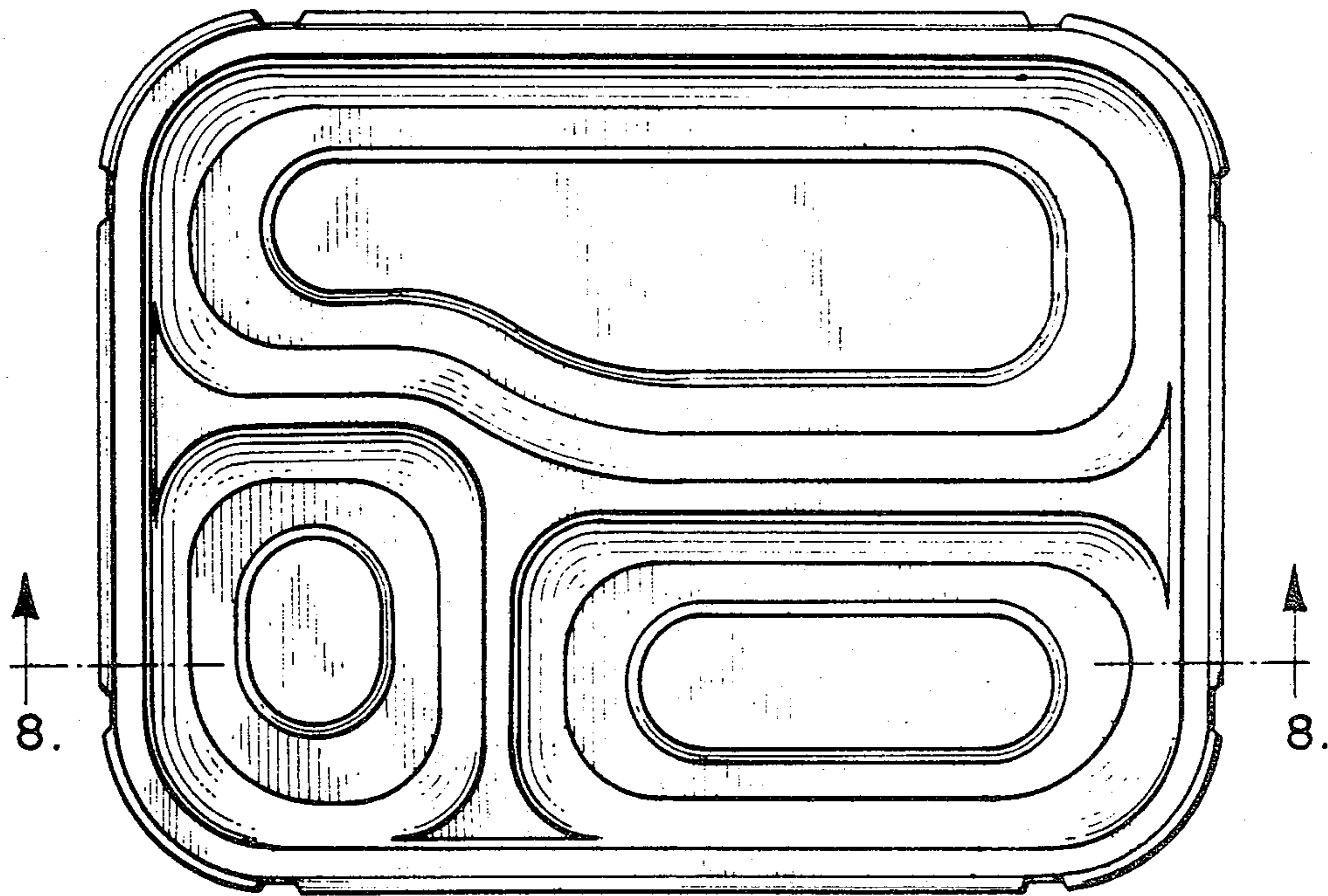


FIG. 2

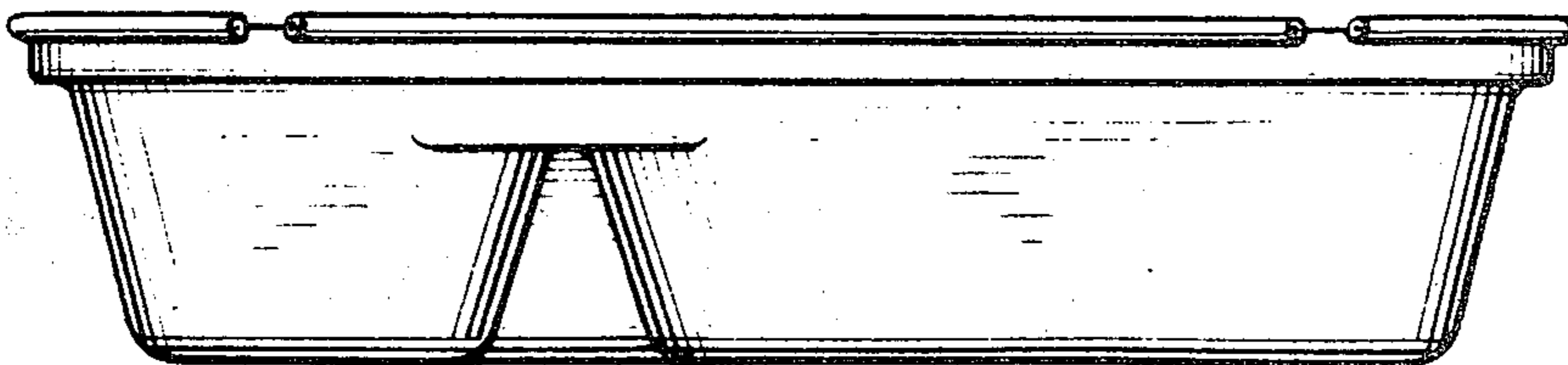


FIG. 3

FIG. 4

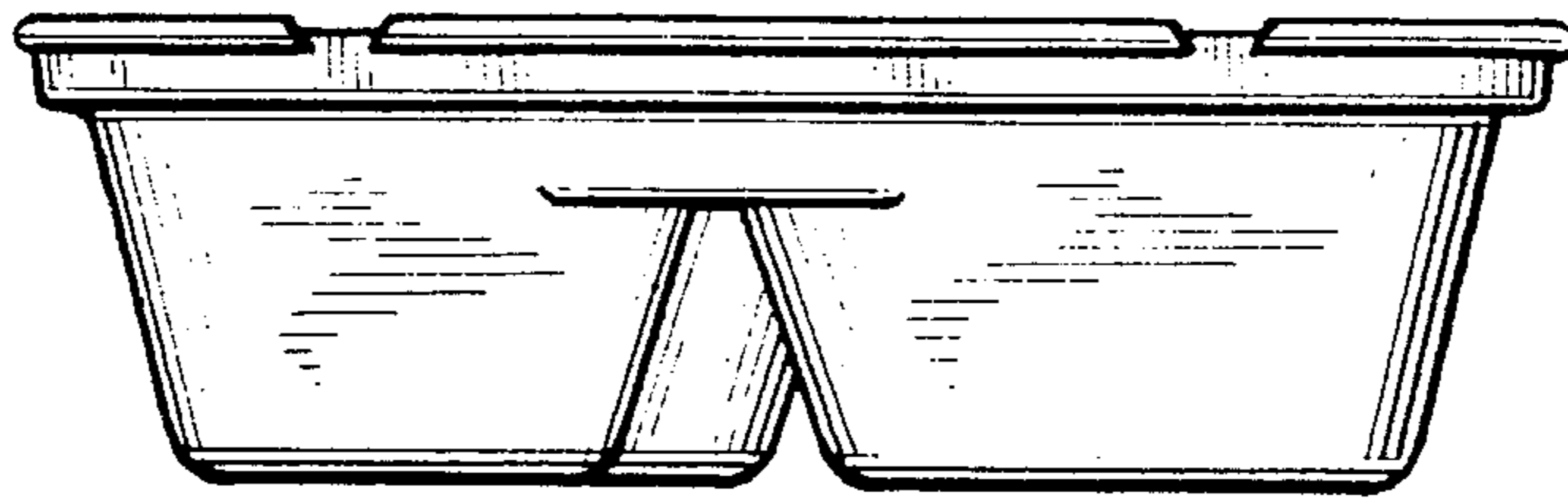


FIG. 5

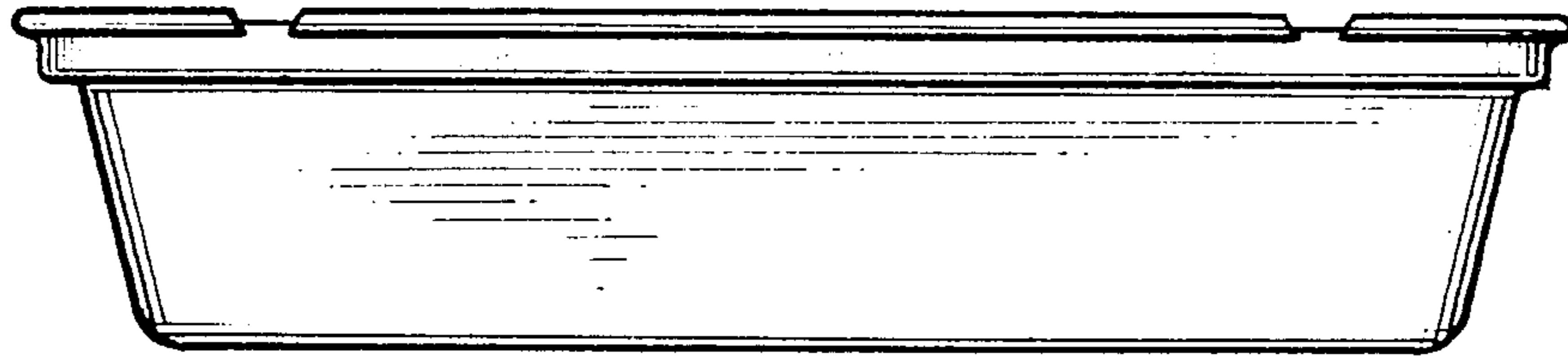


FIG. 6

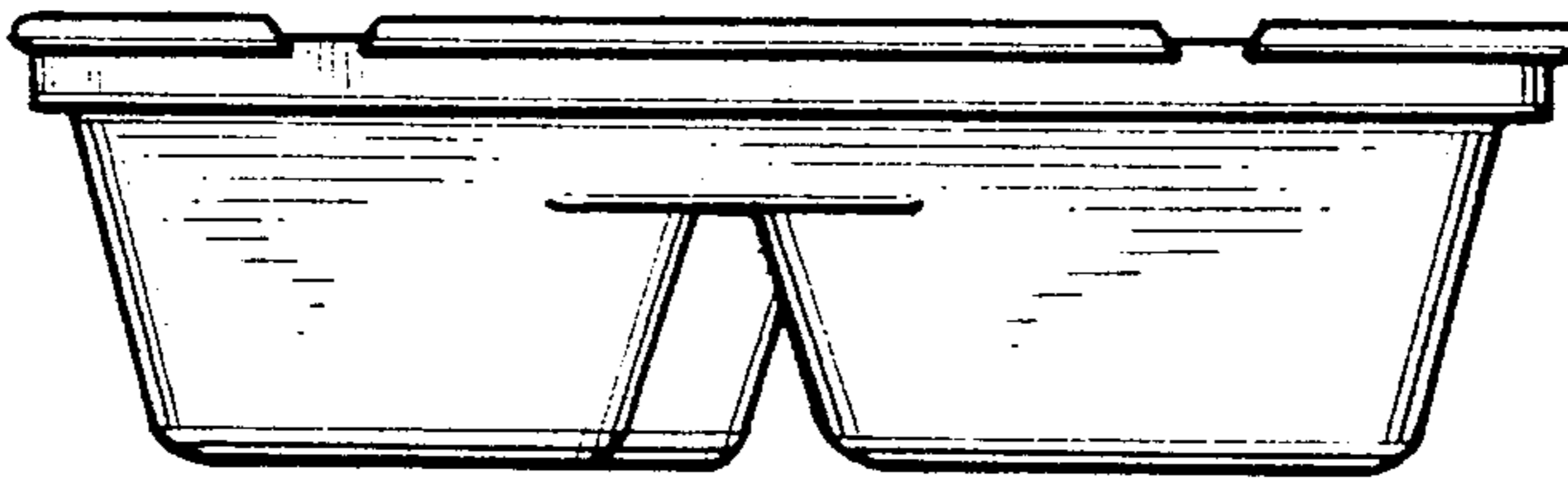


FIG. 7

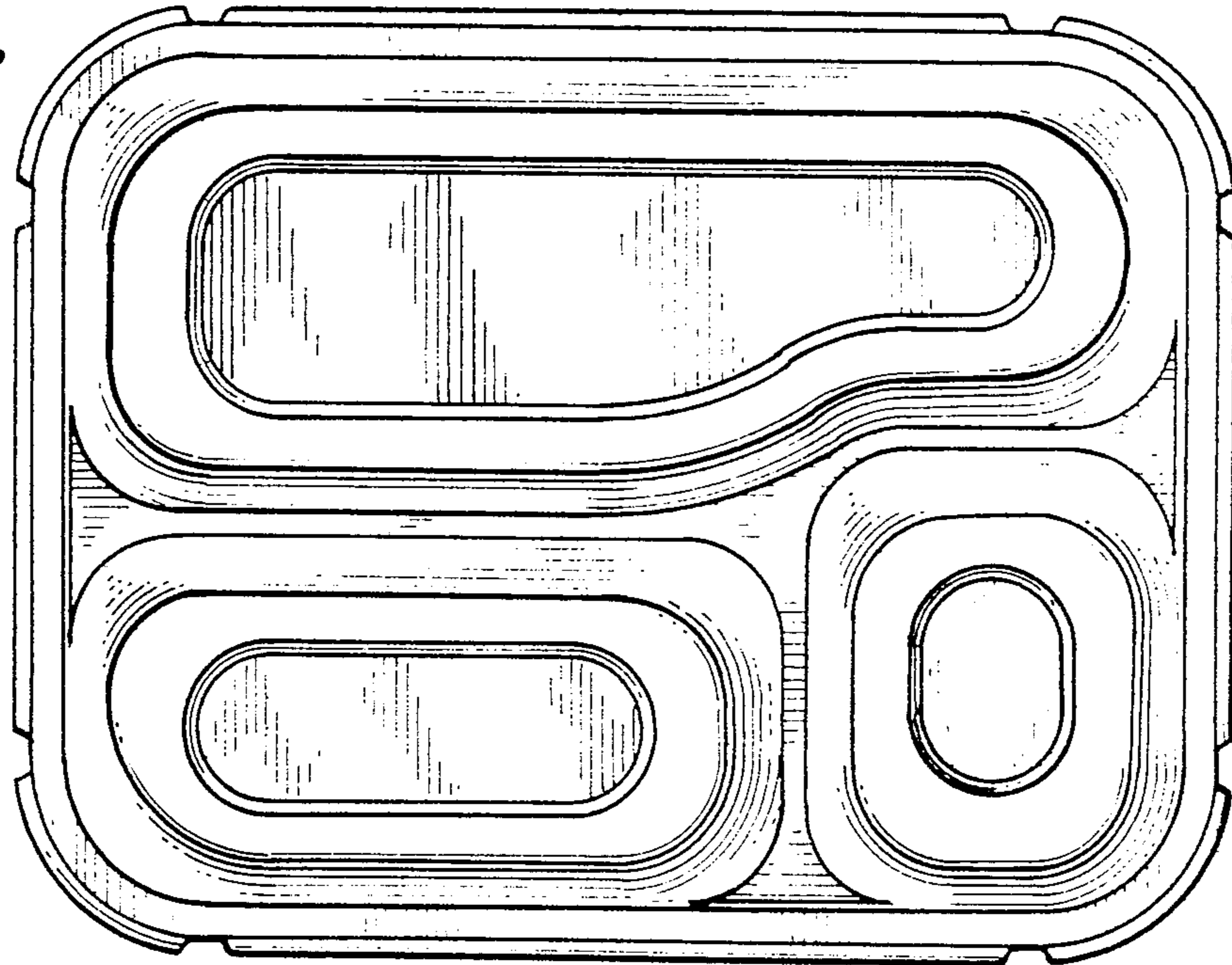


FIG. 8

