

United States Patent [19]

Murai

[11] Patent Number: **Des. 283,665**

[45] Date of Patent: **** May 6, 1986**

[54] SAUCER

[75] Inventor: **Toschio Murai, Tajimi, Japan**

[73] Assignee: **American Commercial Incorporated, Secaucus, N.J.**

[*] Notice: The portion of the term of this patent subsequent to May 6, 2000 has been disclaimed.

[**] Term: **14 Years**

[21] Appl. No.: **518,211**

[22] Filed: **Jul. 28, 1983**

[52] U.S. Cl. **D7/30**

[58] Field of Search **D7/1, 23, 27-36, D7/45**

[56] **References Cited**

U.S. PATENT DOCUMENTS

- D. 19,741 4/1890 Pouyat D7/29 X
- D. 40,860 9/1910 Ahrenfeldt D7/30
- D. 77,080 12/1928 Dolan D7/30

D. 165,857 2/1952 Nelson D7/23

OTHER PUBLICATIONS

Bloomington's Summer Celebrations, Catalog p. 6, top right panel, Item B, "Graceful Regency", Johnson Bros. Ironstoneware.

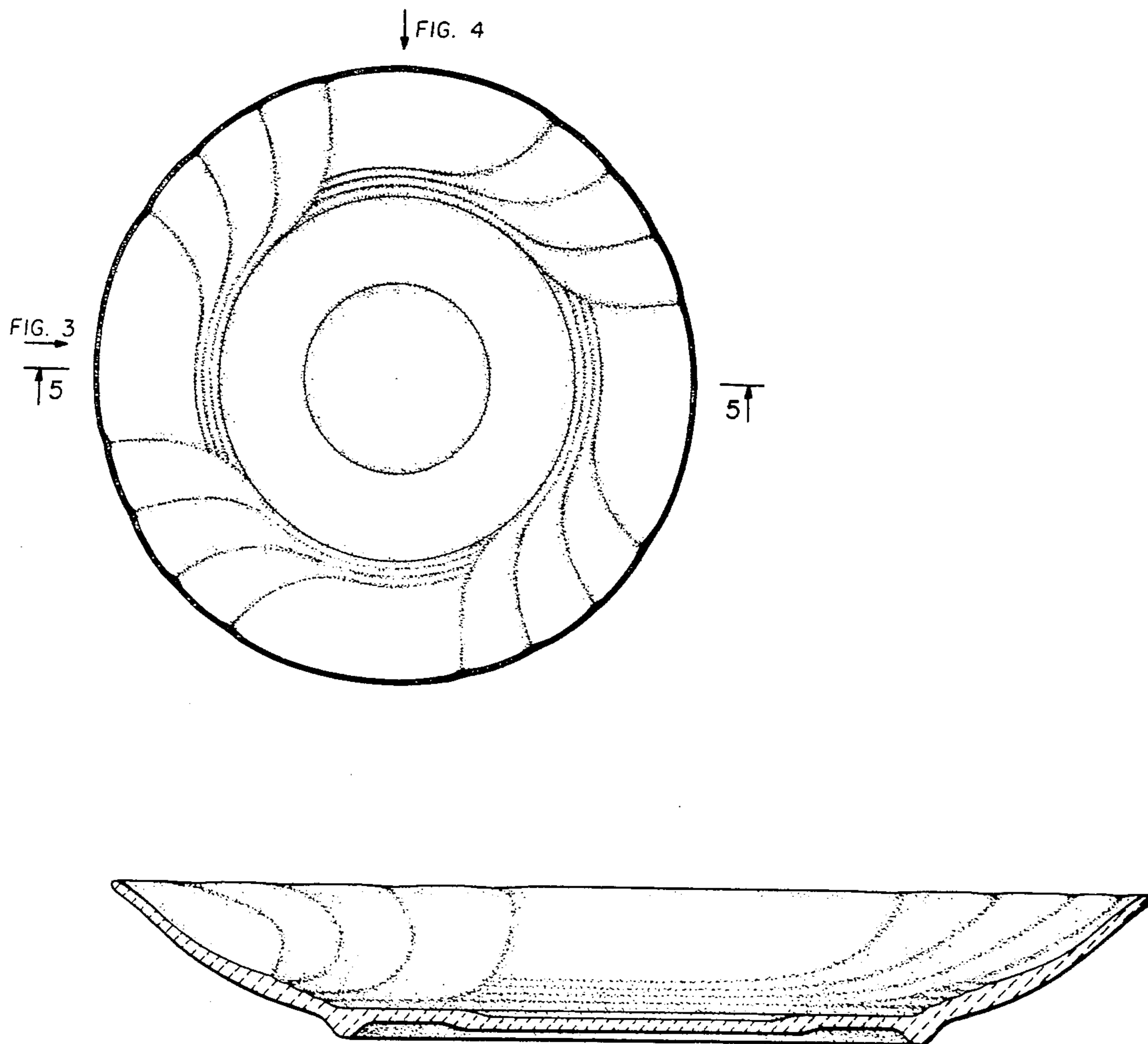
Primary Examiner—Winifred E. Herrmann
Attorney, Agent, or Firm—George J. Brandt, Jr.

[57] **CLAIM**

The ornamental design for a saucer, as shown and described.

DESCRIPTION

FIG. 1 is a top plan view of a saucer showing my new design;
FIG. 2 is a bottom plan view thereof;
FIG. 3 is a side elevational view thereof as taken in the direction of arrow 3 on FIG. 1;
FIG. 4 is a side elevational view thereof as taken in the direction of arrow 4 on FIG. 1; and
FIG. 5 is a sectional view as taken along the line 5—5 of FIG. 1.



↓ FIG. 4

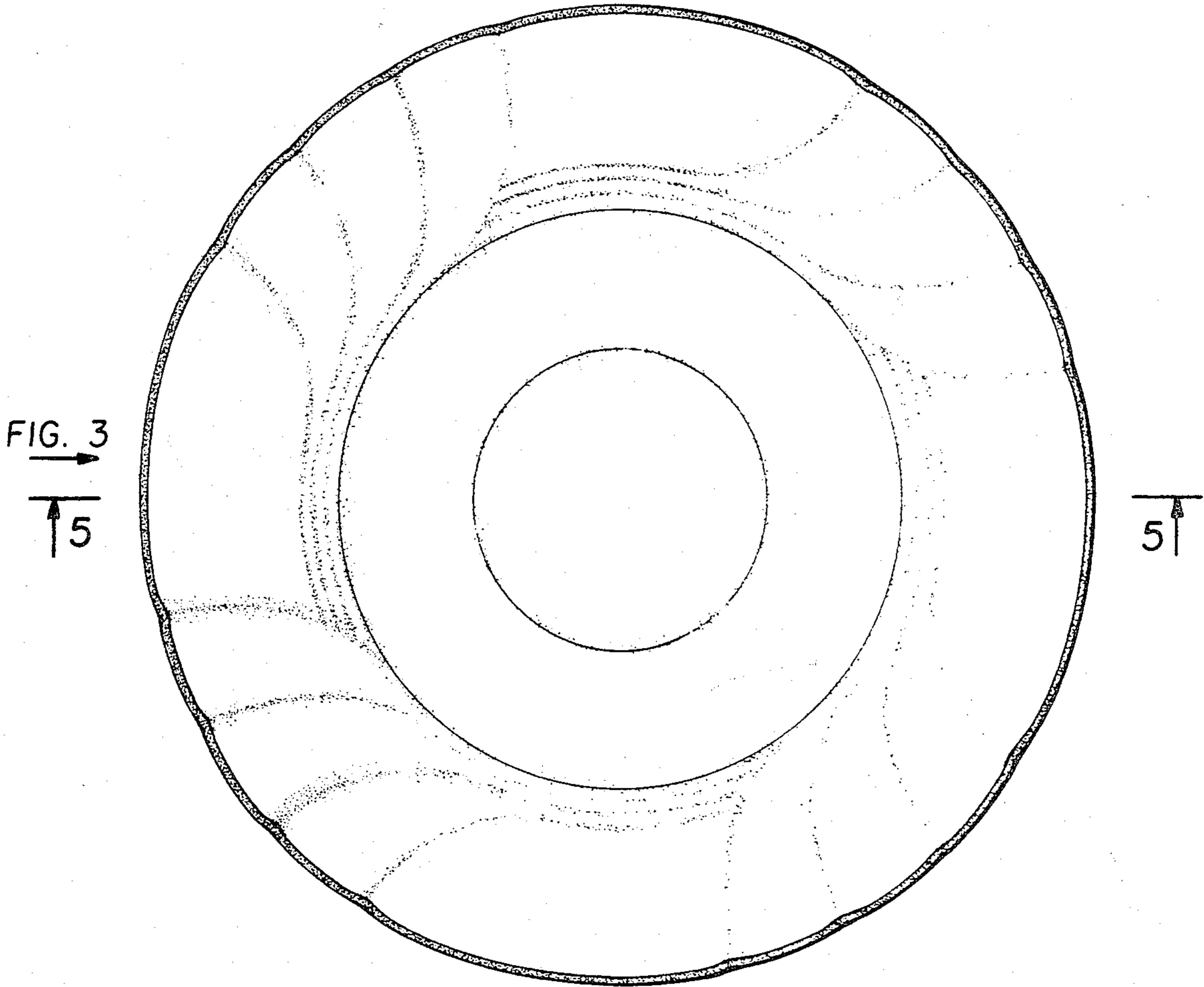


FIG. 1

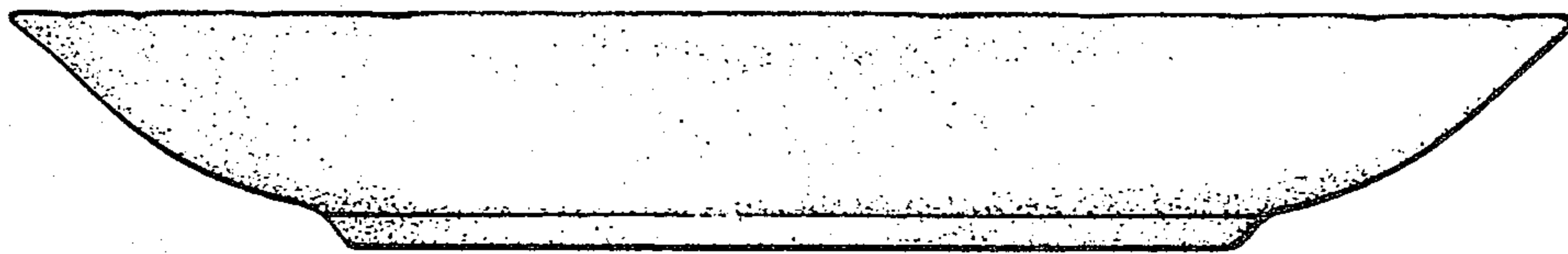


FIG. 3

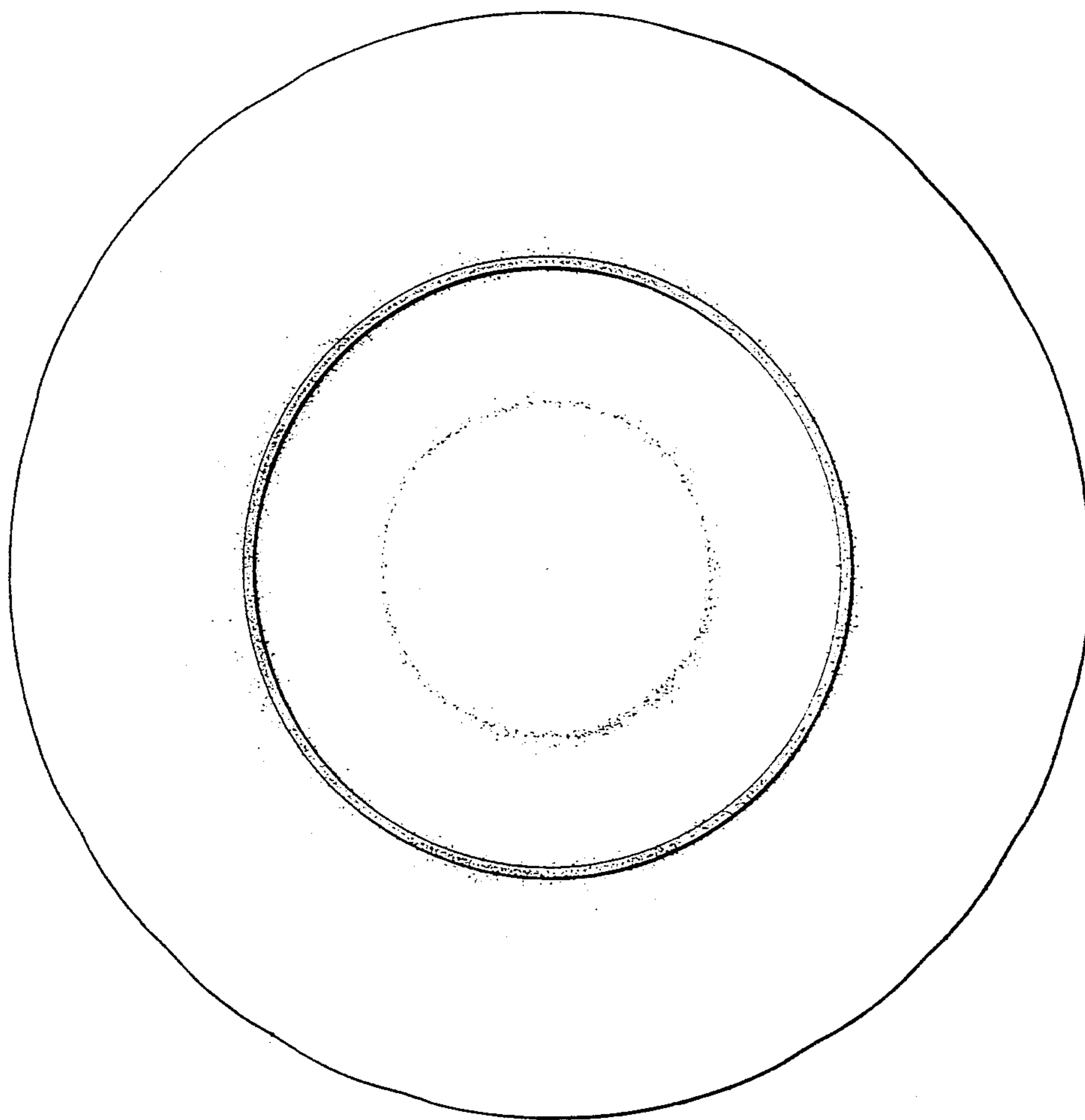


FIG. 2

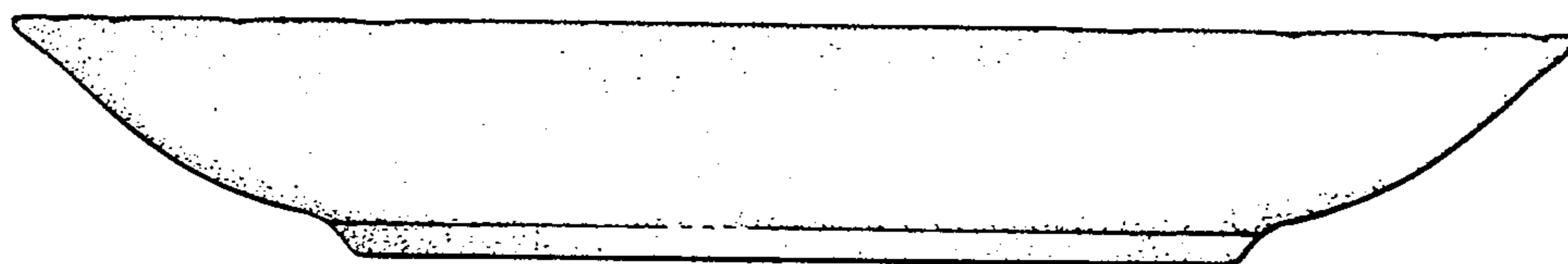


FIG. 4

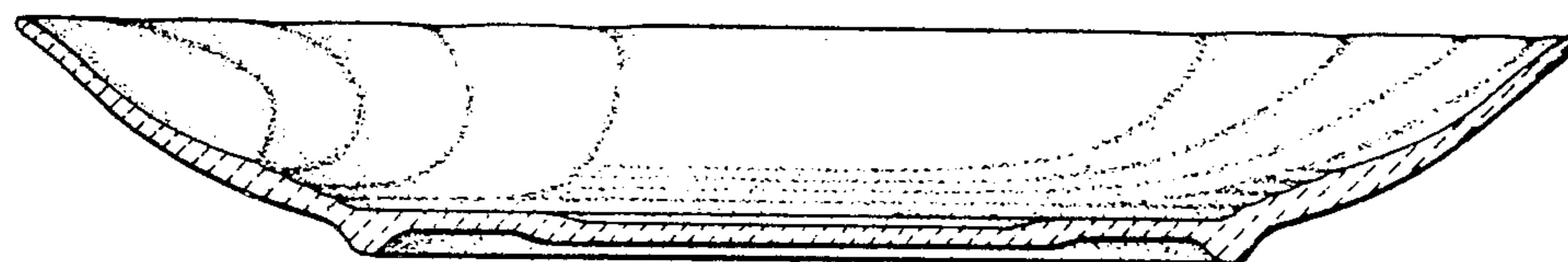


FIG. 5