

[54] MAGNETIC MECHANIC'S TRAY OR SIMILAR ARTICLE

[76] Inventors: Gary E. Chaplin, 295 E. Ceres St., Rialto, Calif. 92376; Michael A. Keefe, 208 E. Olive Ave., Redlands, Calif. 92373

[**] Term: 14 Years

[21] Appl. No.: 518,064

[22] Filed: Jul. 28, 1983

[52] U.S. Cl. D6/511; D6/449

[58] Field of Search D8/71; D6/406, 449, D6/491, 509, 510, 511; 108/1, 6, 27, 150; 211/126, 133

[56] References Cited

U.S. PATENT DOCUMENTS

- D. 168,448 12/1952 Hommer D6/449
- D. 177,324 4/1956 Hartman D6/511
- D. 204,043 3/1966 Italiano D6/449

- D. 224,637 8/1972 Ball D6/511
- 3,023,063 2/1962 Hansen 108/6
- 3,026,159 3/1962 Miller et al. 108/1
- 4,467,991 8/1984 Bailes D6/406

Primary Examiner—B. J. Bullock
Assistant Examiner—Suzanne N. Gitlin
Attorney, Agent, or Firm—John H. Crowe

[57] CLAIM

The ornamental design for a magnetic mechanic's tray or similar article, substantially as shown and described.

DESCRIPTION

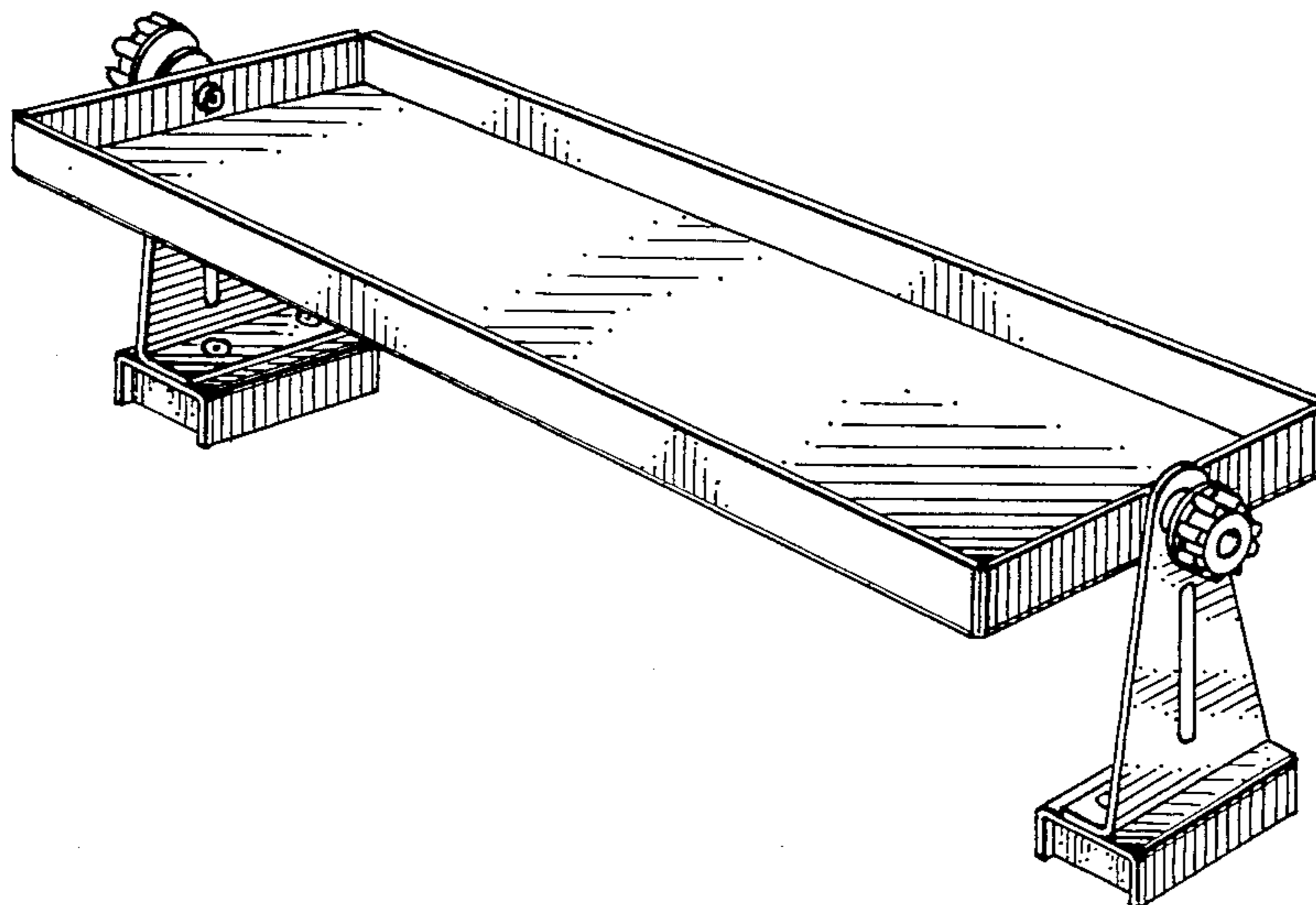
FIG. 1 is a reduced perspective view of a magnetic mechanic's tray or similar article showing our new design;

FIG. 2 is a side elevational view, the opposite side being identical;

FIG. 3 is a top plan view thereof;

FIG. 4 is a bottom plan view thereof;

FIG. 5 is an end elevational view, the opposite end being identical.



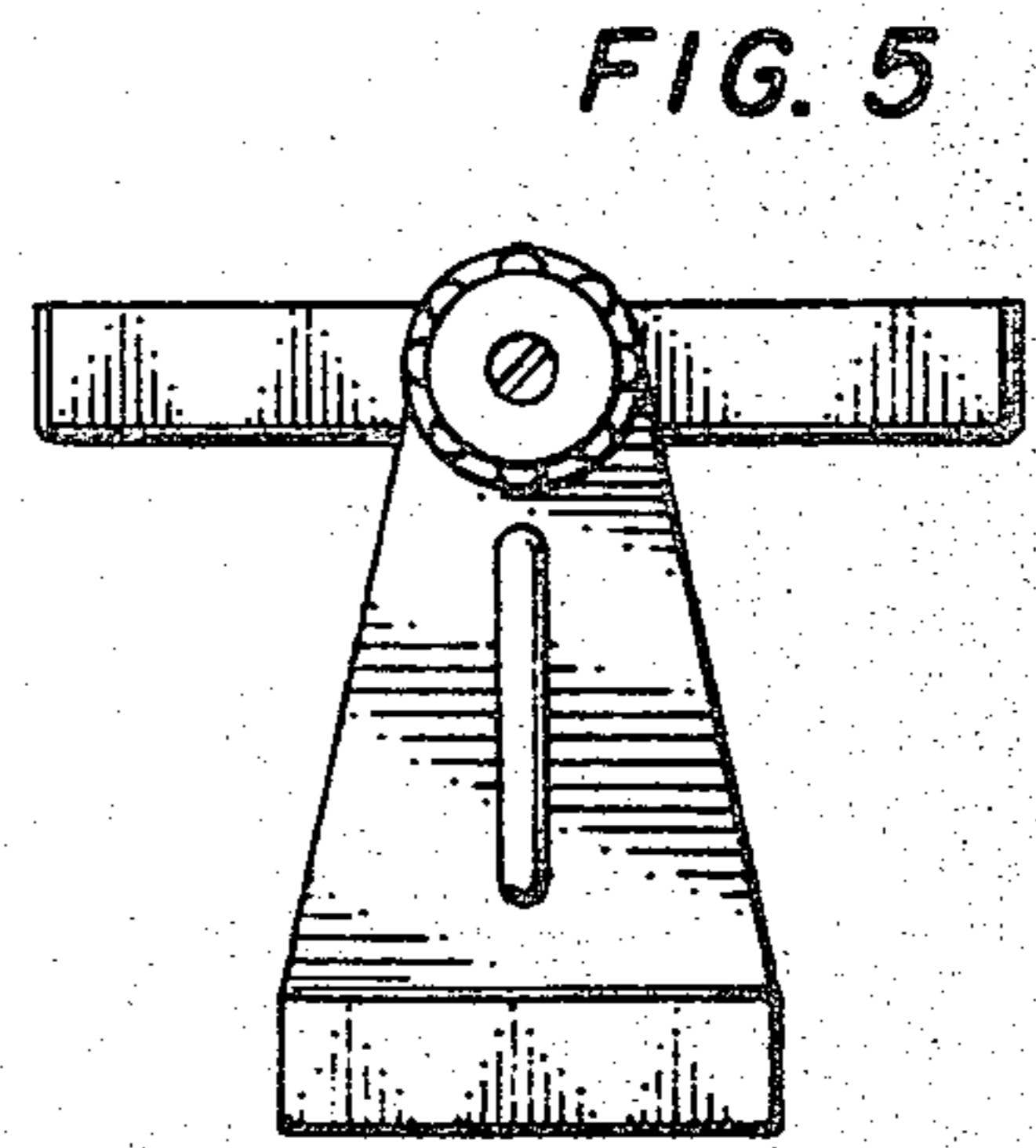
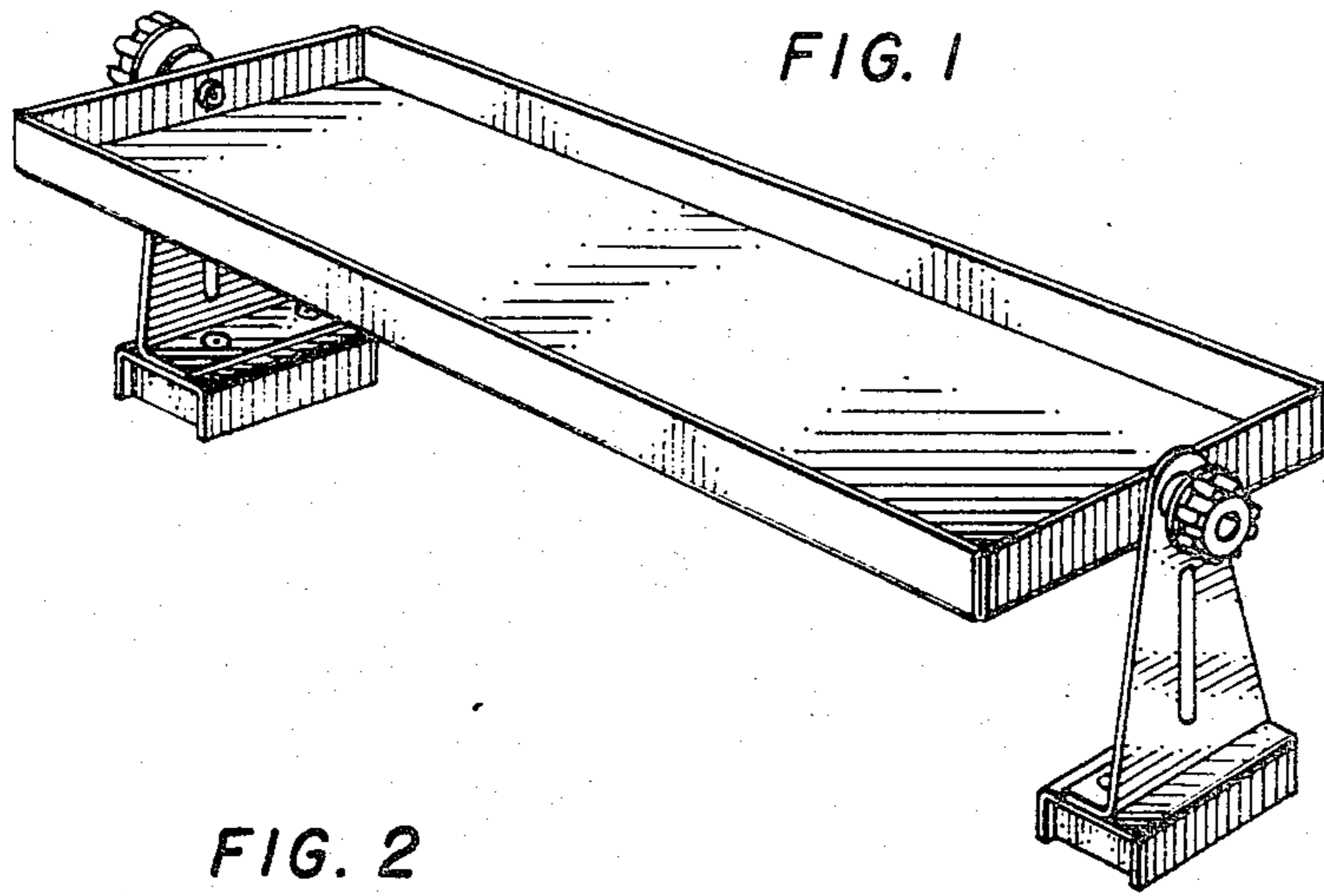


FIG. 2

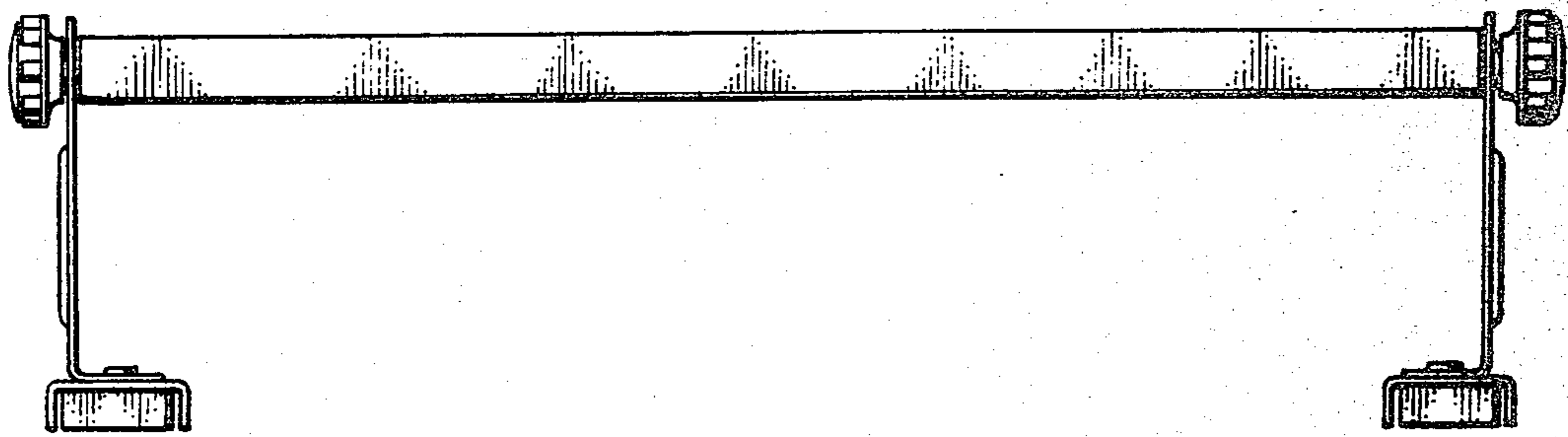


FIG. 3

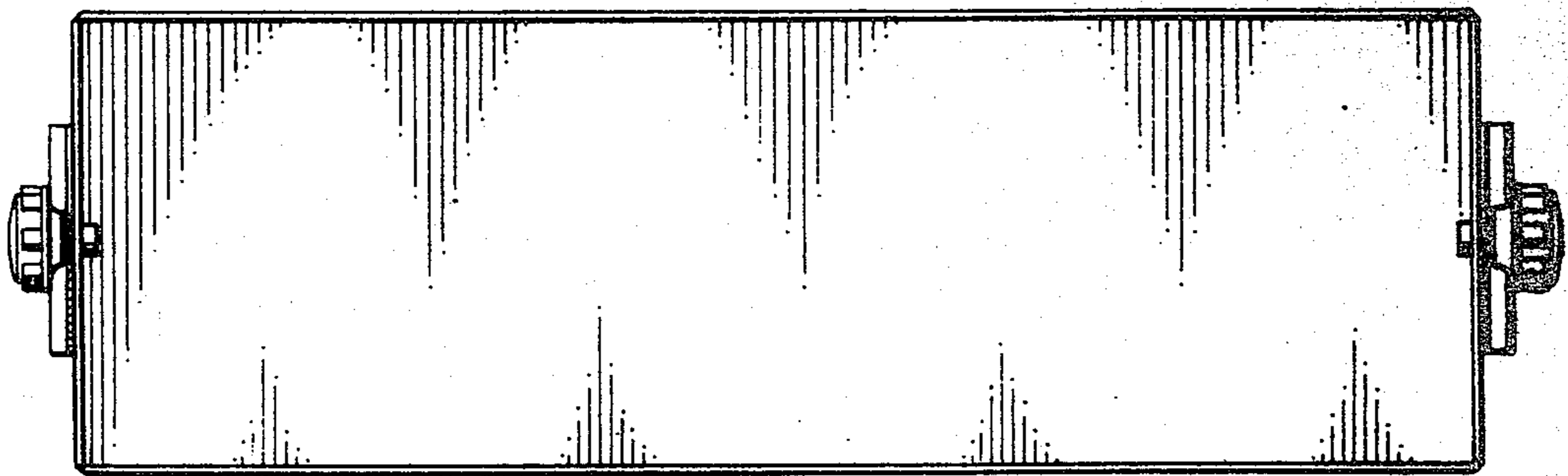


FIG. 4

