

[54] WATERPROOF FLASHLIGHT

[75] Inventors: Alain Battarel; Jean-Marc Picard, both of Caudebec les Elbeuf, France

[73] Assignee: Gipelec, S.A., Levallois-Perret, France

[**] Term: 14 Years

[21] Appl. No.: 545,342

[22] Filed: Oct. 25, 1983

[30] Foreign Application Priority Data

Apr. 29, 1983 [FR] France 83 1601

[52] U.S. Cl. D26/49

[58] Field of Search D26/37-50; 362/157, 158, 183-208

[56] References Cited

U.S. PATENT DOCUMENTS

D. 263,258 3/1982 Zeller D26/49

OTHER PUBLICATIONS

Hong Kong Enterprise, vol. 3, 1981, p. 298, Cheong Wah Rubber Factory Flashlight.

Primary Examiner—Susan J. Lucas

Attorney, Agent, or Firm—Kenyon & Kenyon

[57] CLAIM

The ornamental design for a waterproof flashlight, as shown and described.

DESCRIPTION

FIG. 1 is a side perspective view of a waterproof flashlight showing our new design.

FIG. 2 is a bottom perspective view thereof.

FIG. 3 is a top perspective view thereof.

FIG. 4 is a rear perspective view thereof.

FIG. 5 is a top plan view thereof.

FIG. 6 is a side elevation view thereof, the other side being a mirror image thereof.

FIG. 7 is a front elevation view thereof.

FIG. 8 is a rear elevation view thereof.

FIG. 9 is a bottom plan view thereof.

FIG. 10 is a top perspective view of an alternative embodiment of a waterproof flashlight showing our new design.

FIG. 11 is a bottom perspective view thereof.

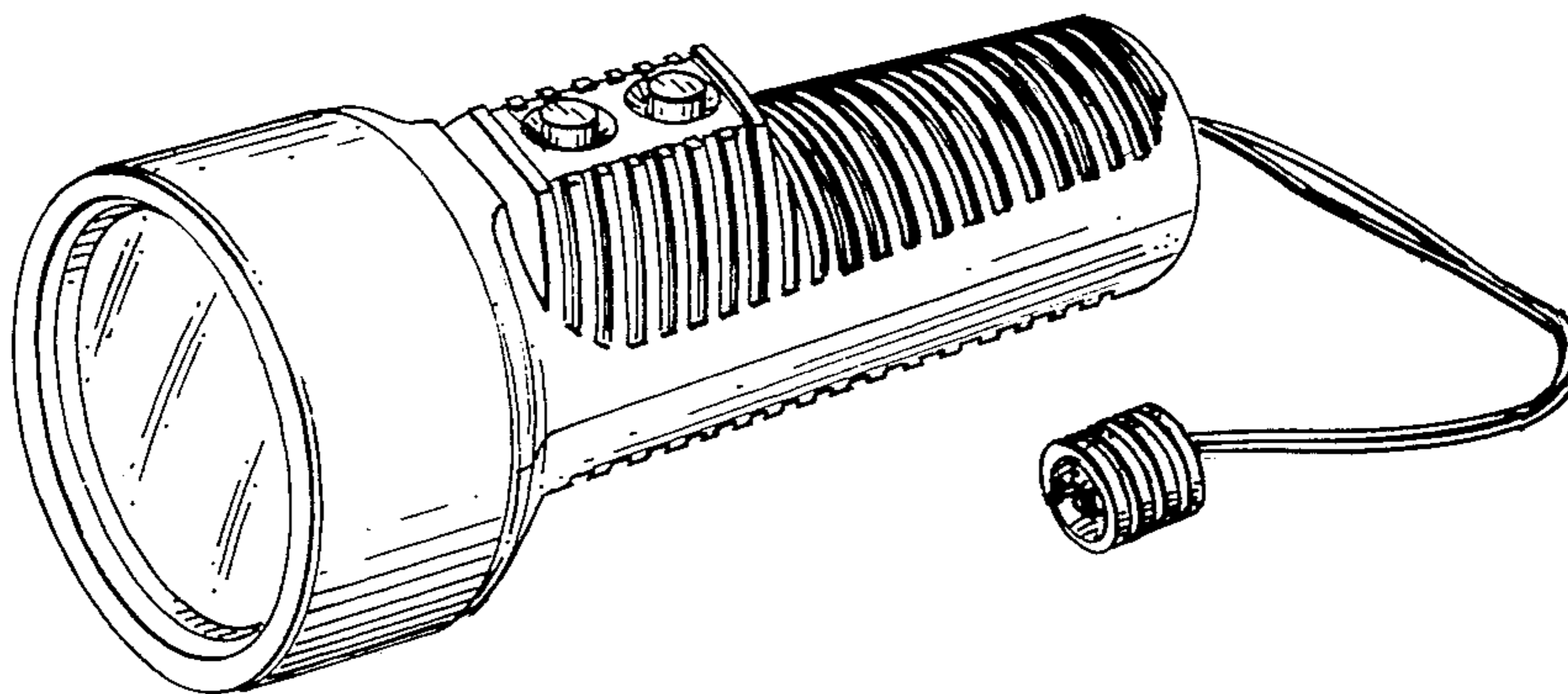
FIG. 12 is a side perspective view thereof.

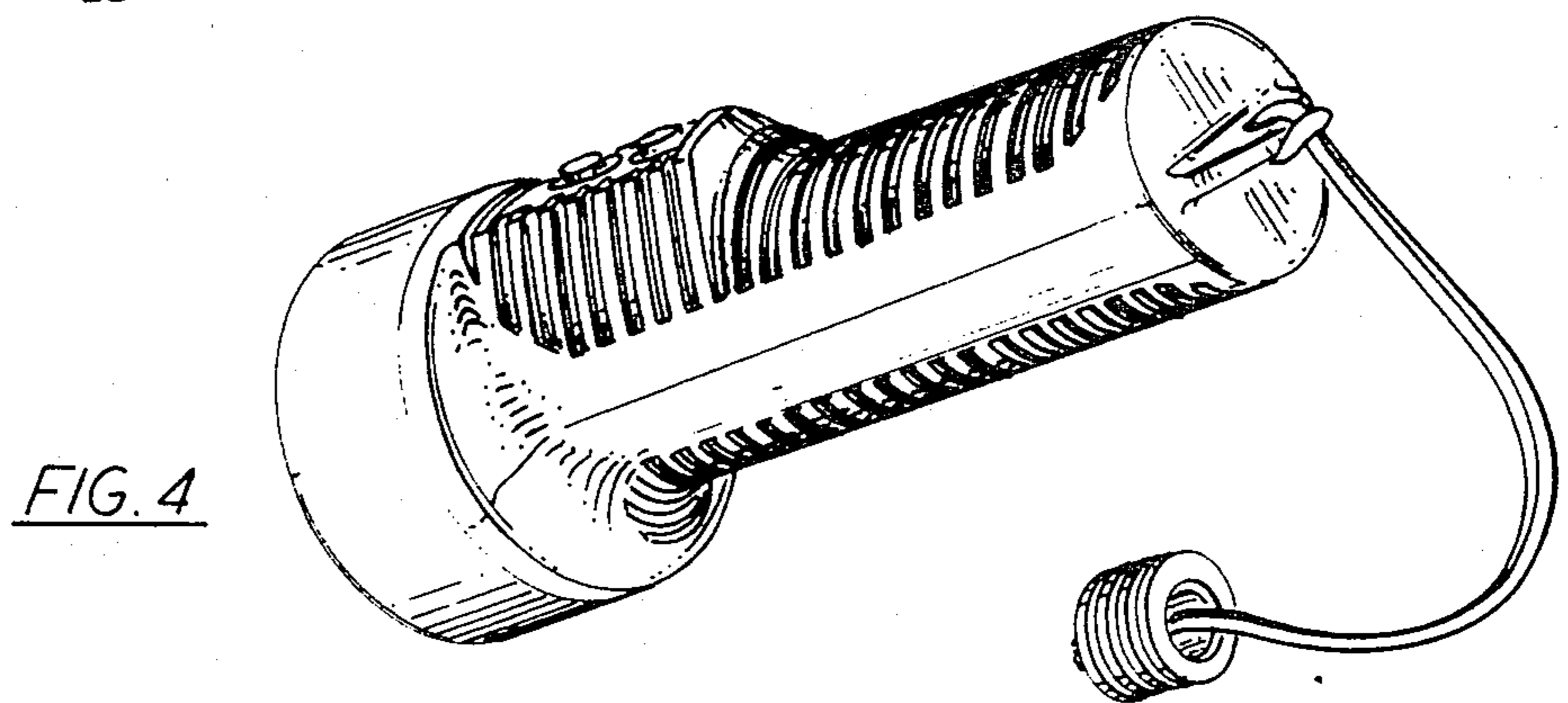
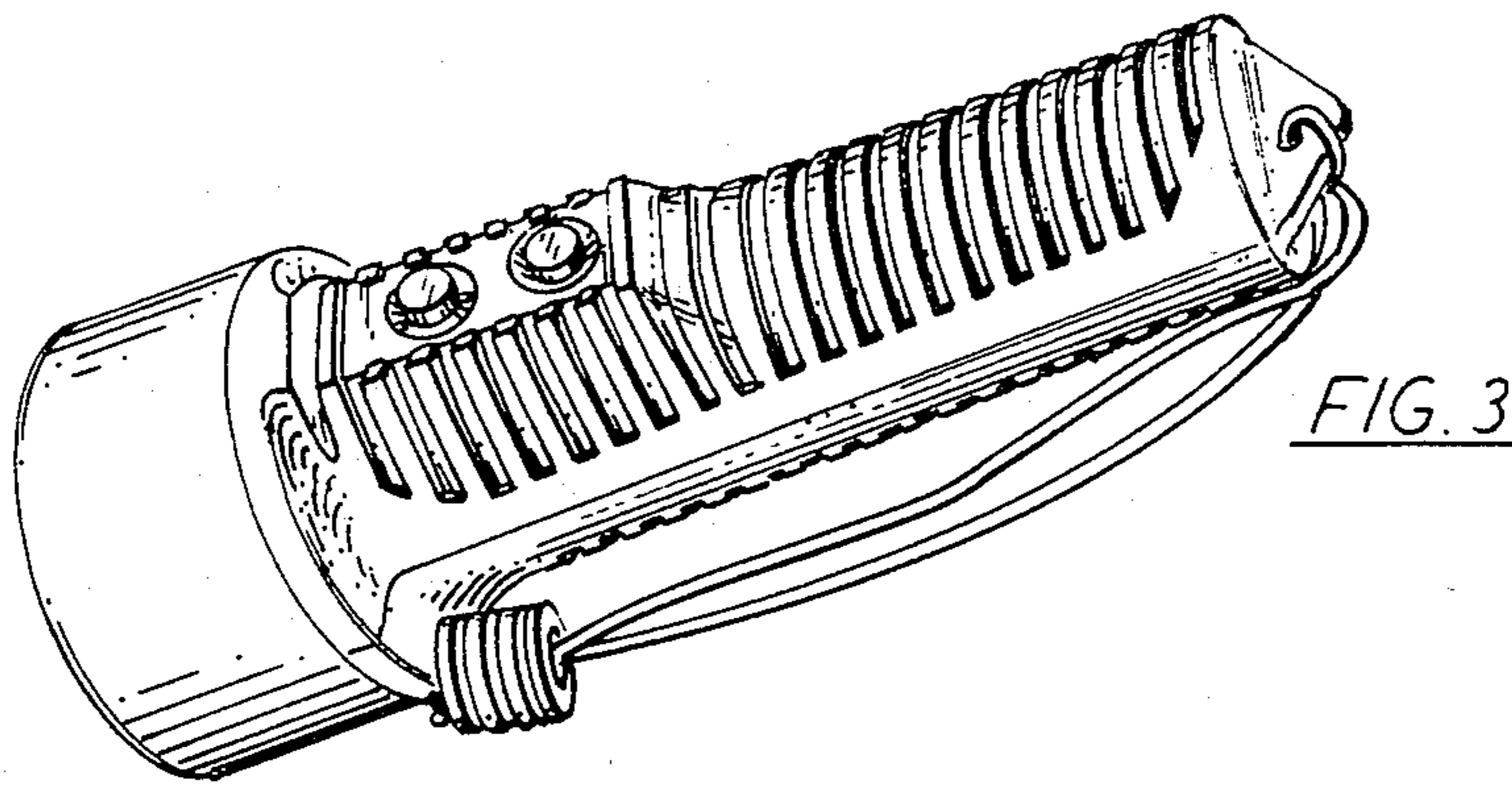
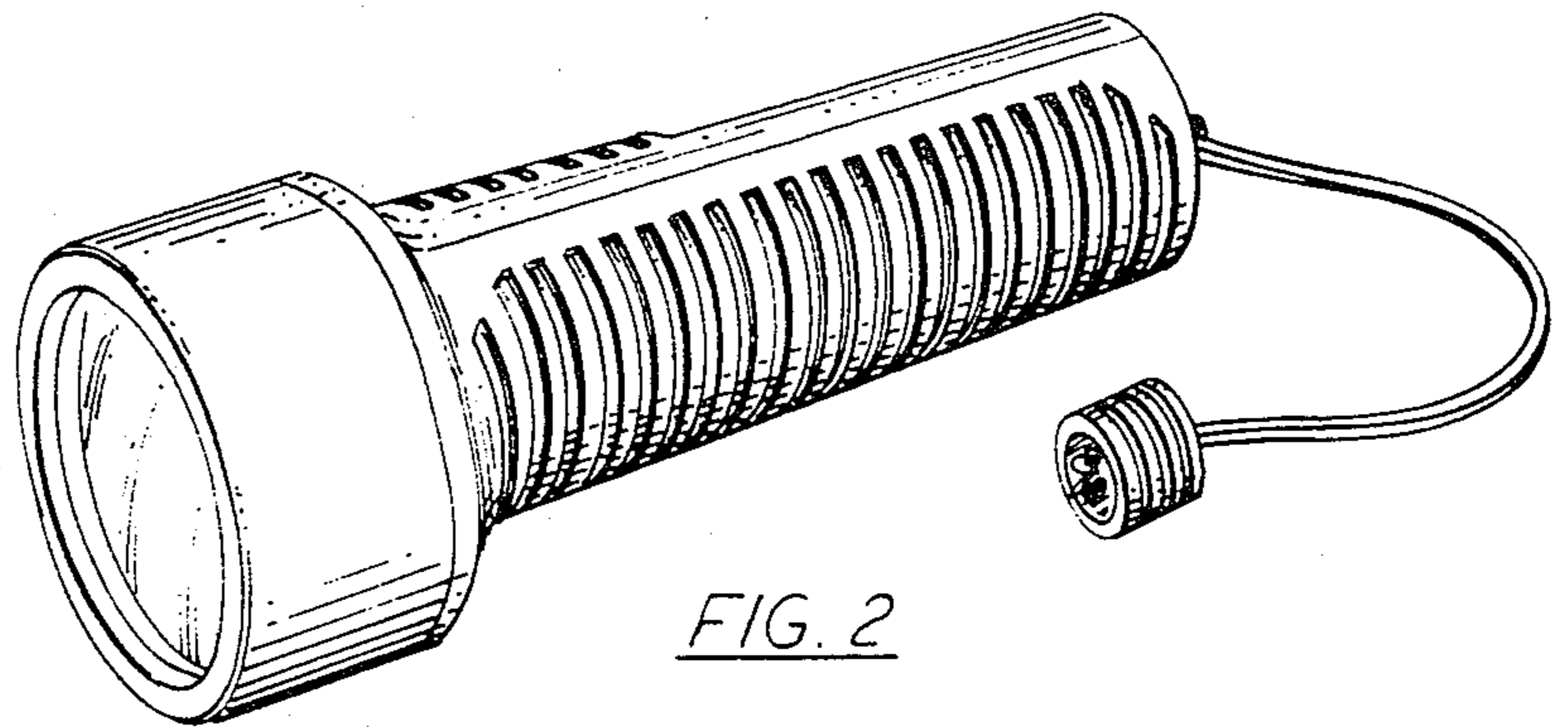
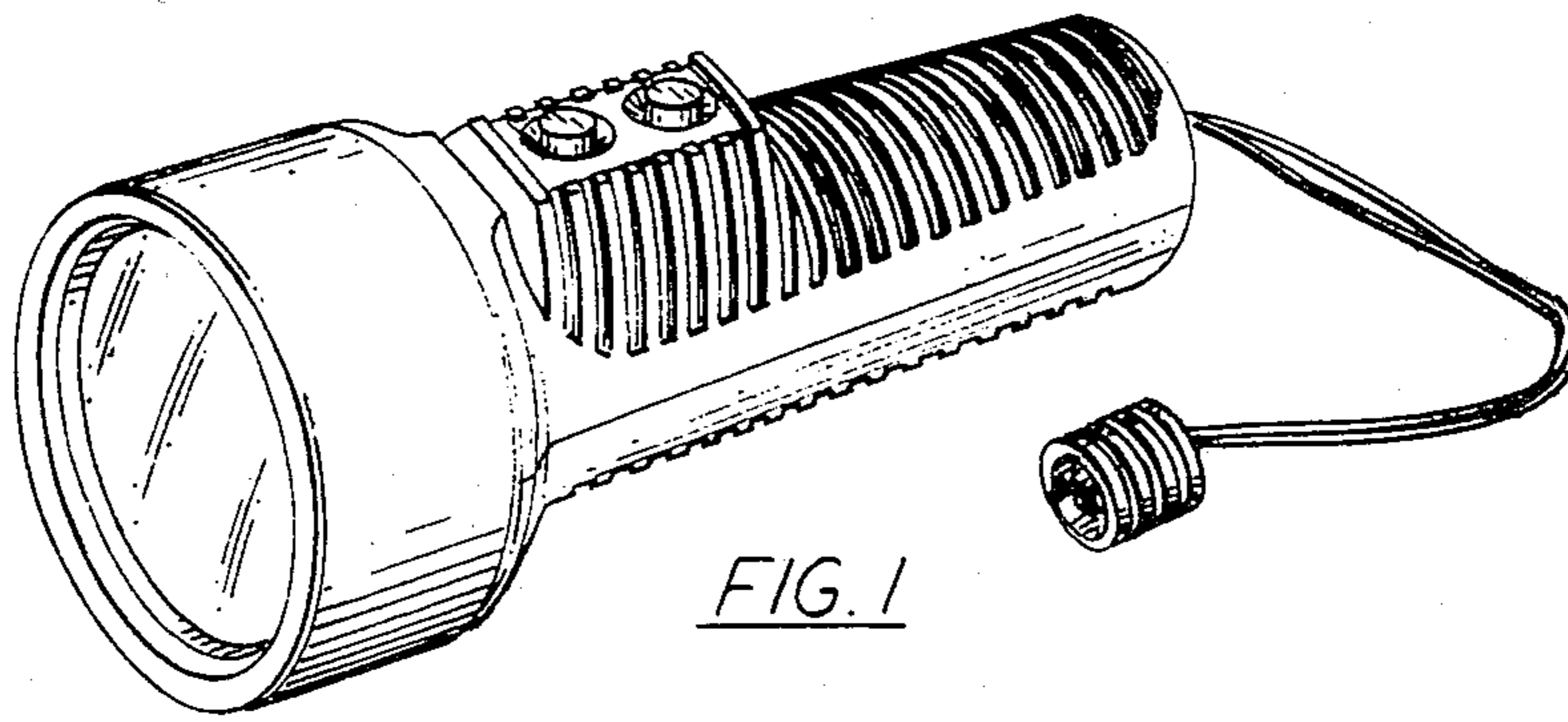
FIG. 13 is a rear perspective view thereof.

FIG. 14 is a top plan view thereof.

FIG. 15 is a side elevation view thereof, the other side being a mirror image thereof.

FIG. 16 is a bottom plan view thereof.





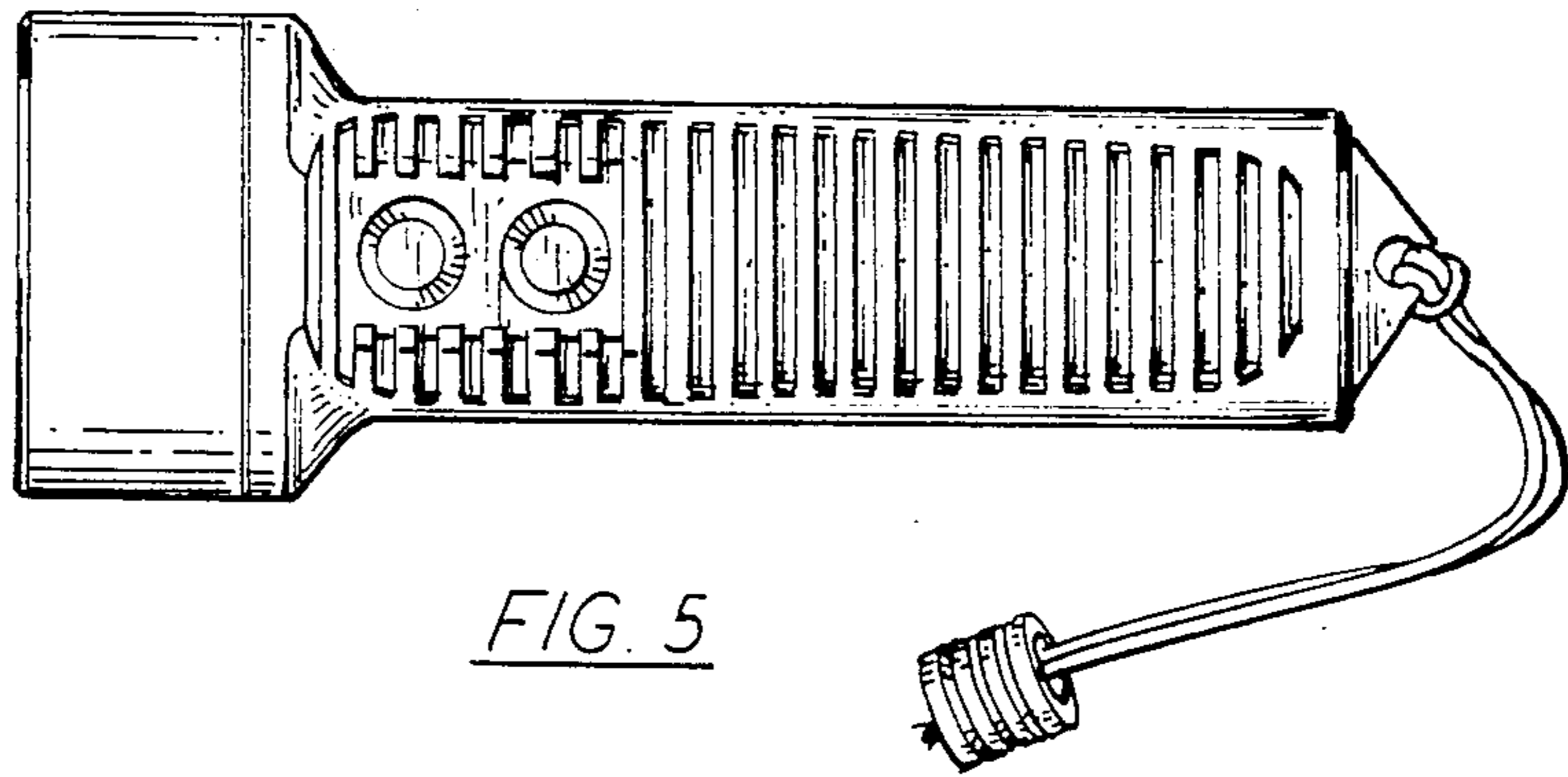


FIG. 5

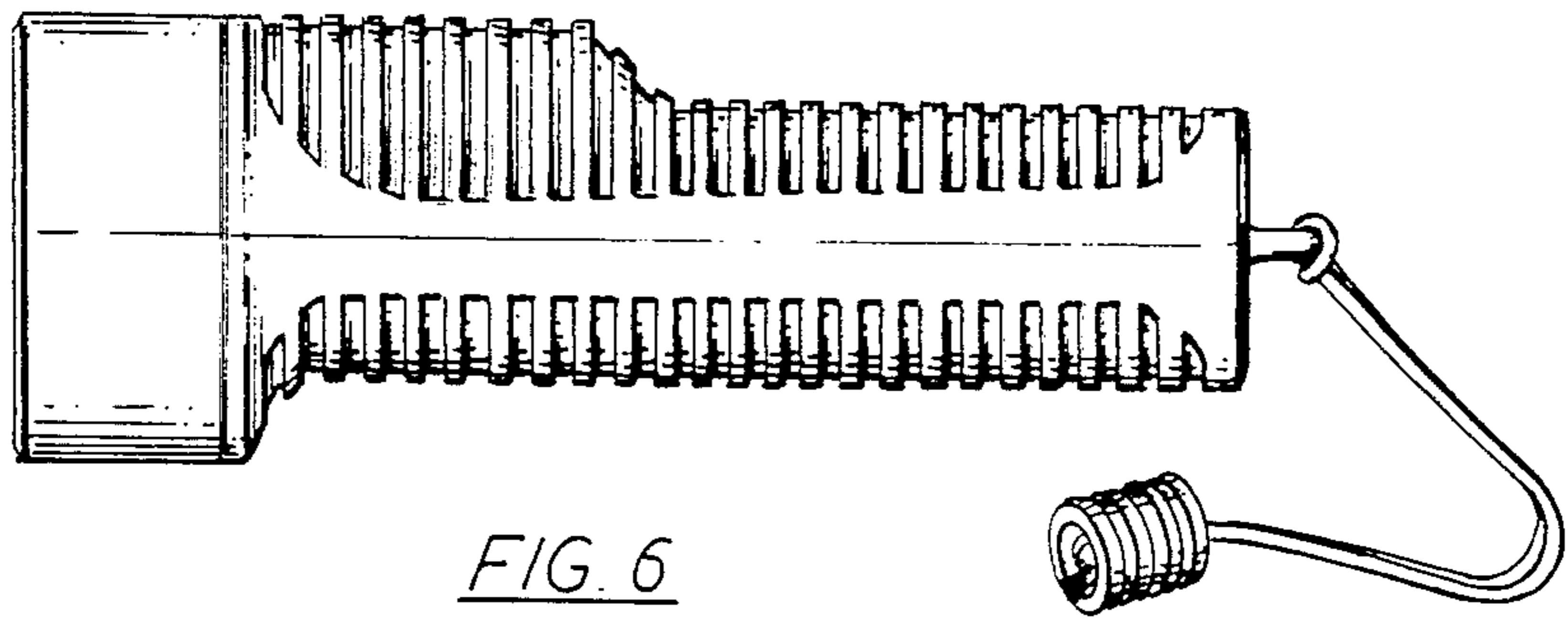


FIG. 6

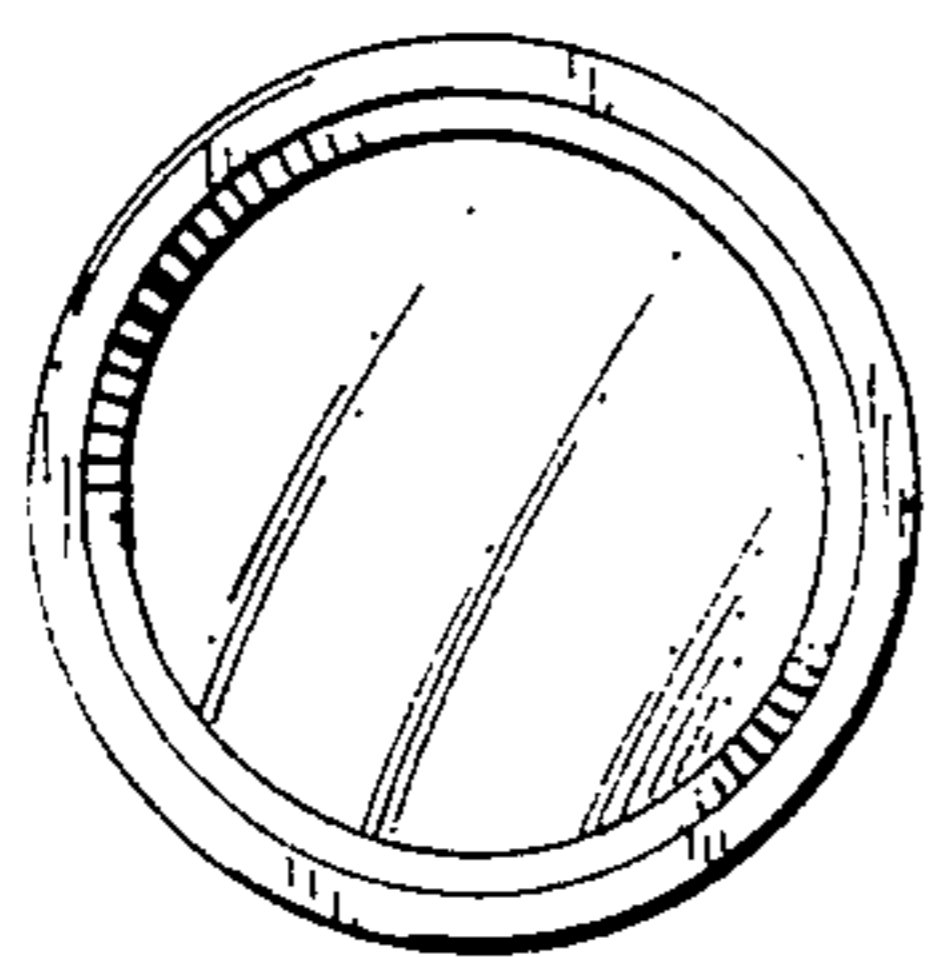


FIG. 7

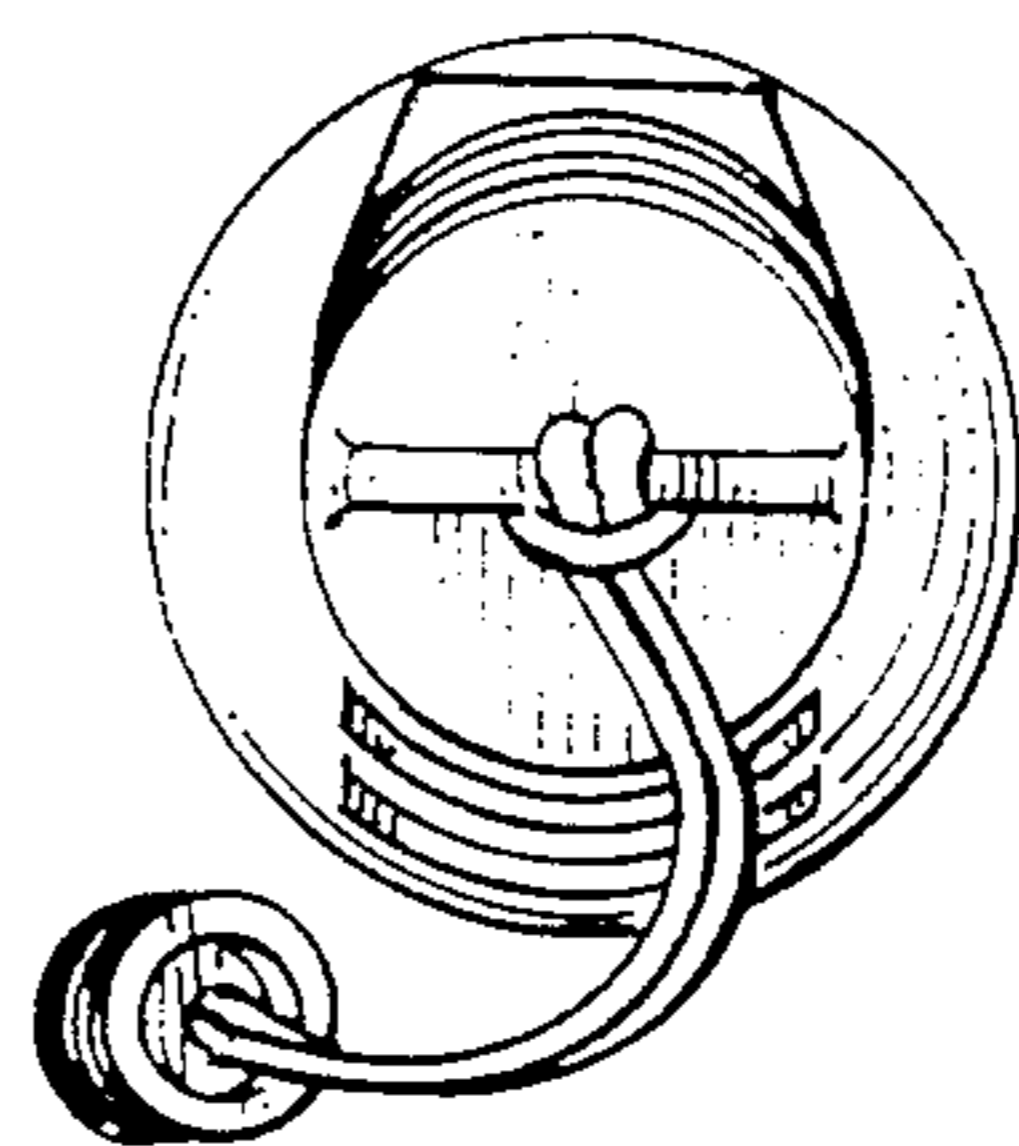


FIG. 8

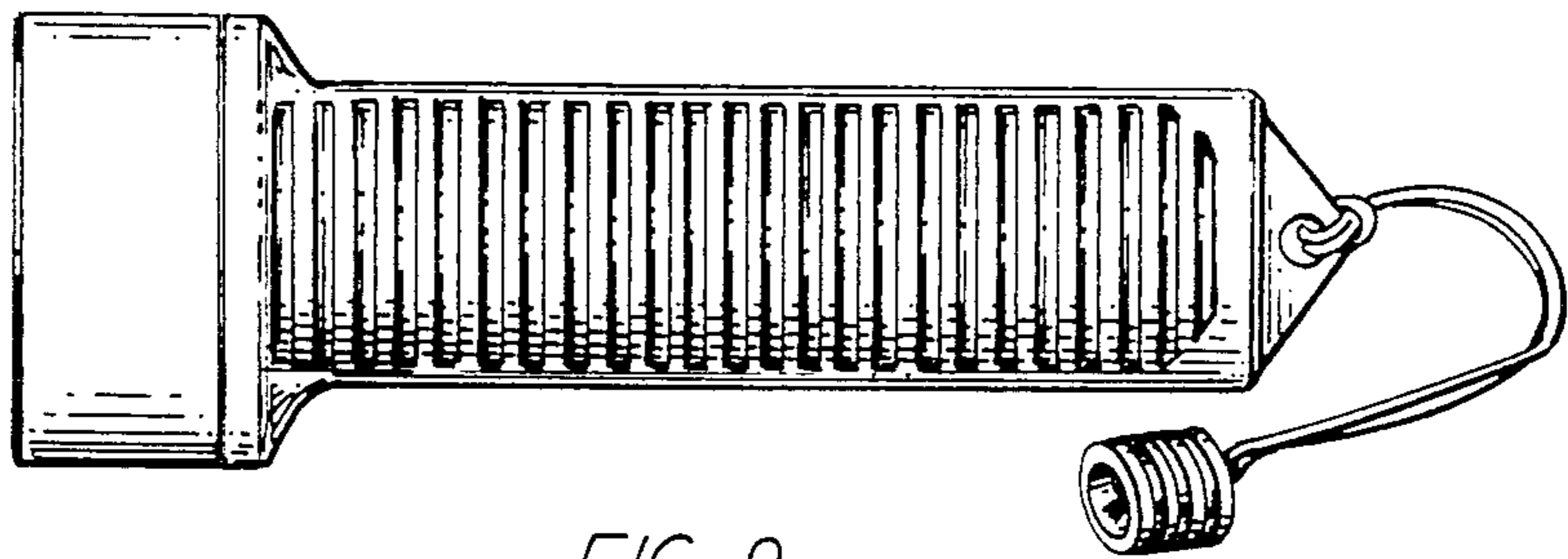


FIG. 9

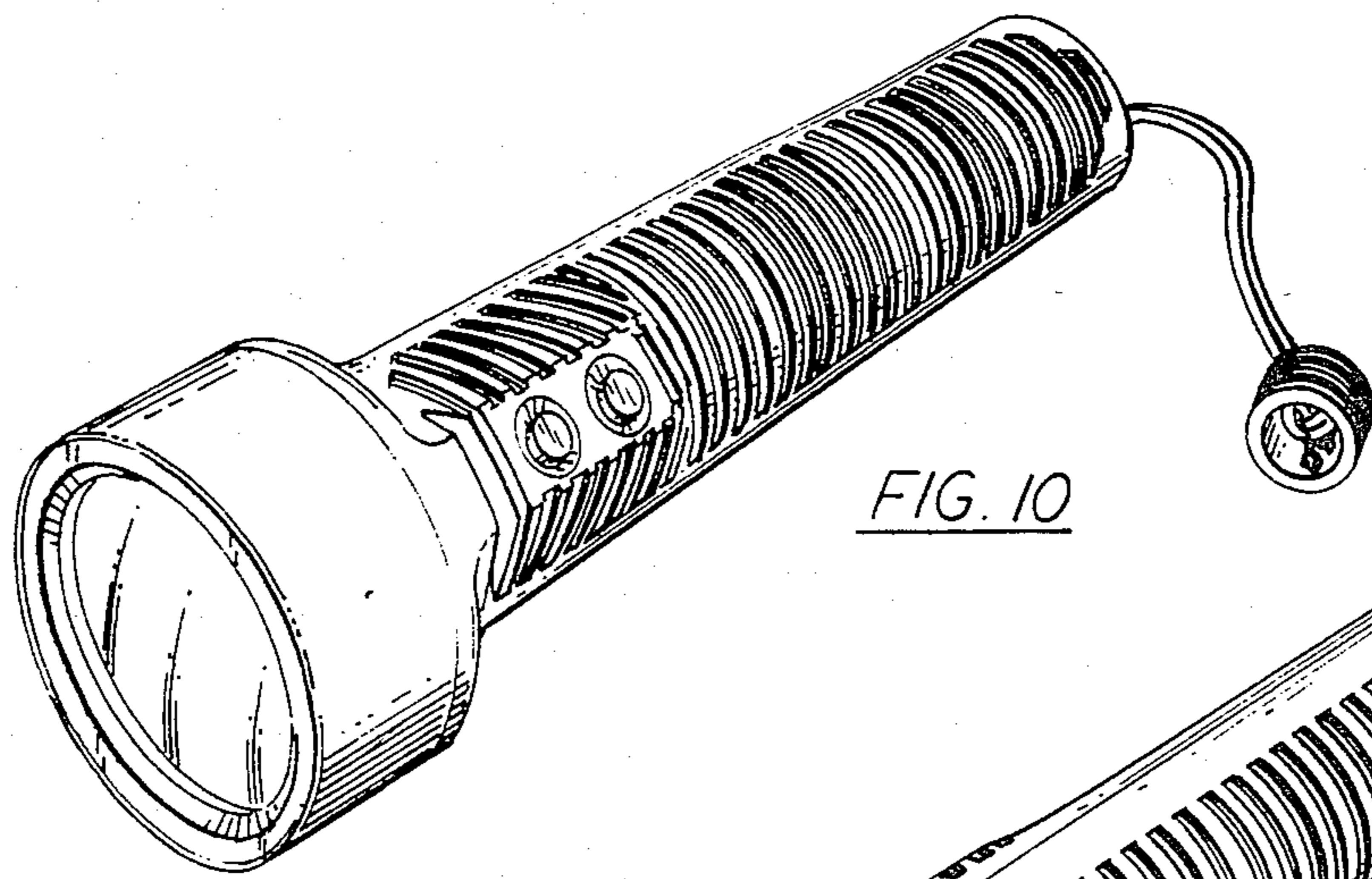


FIG. 10

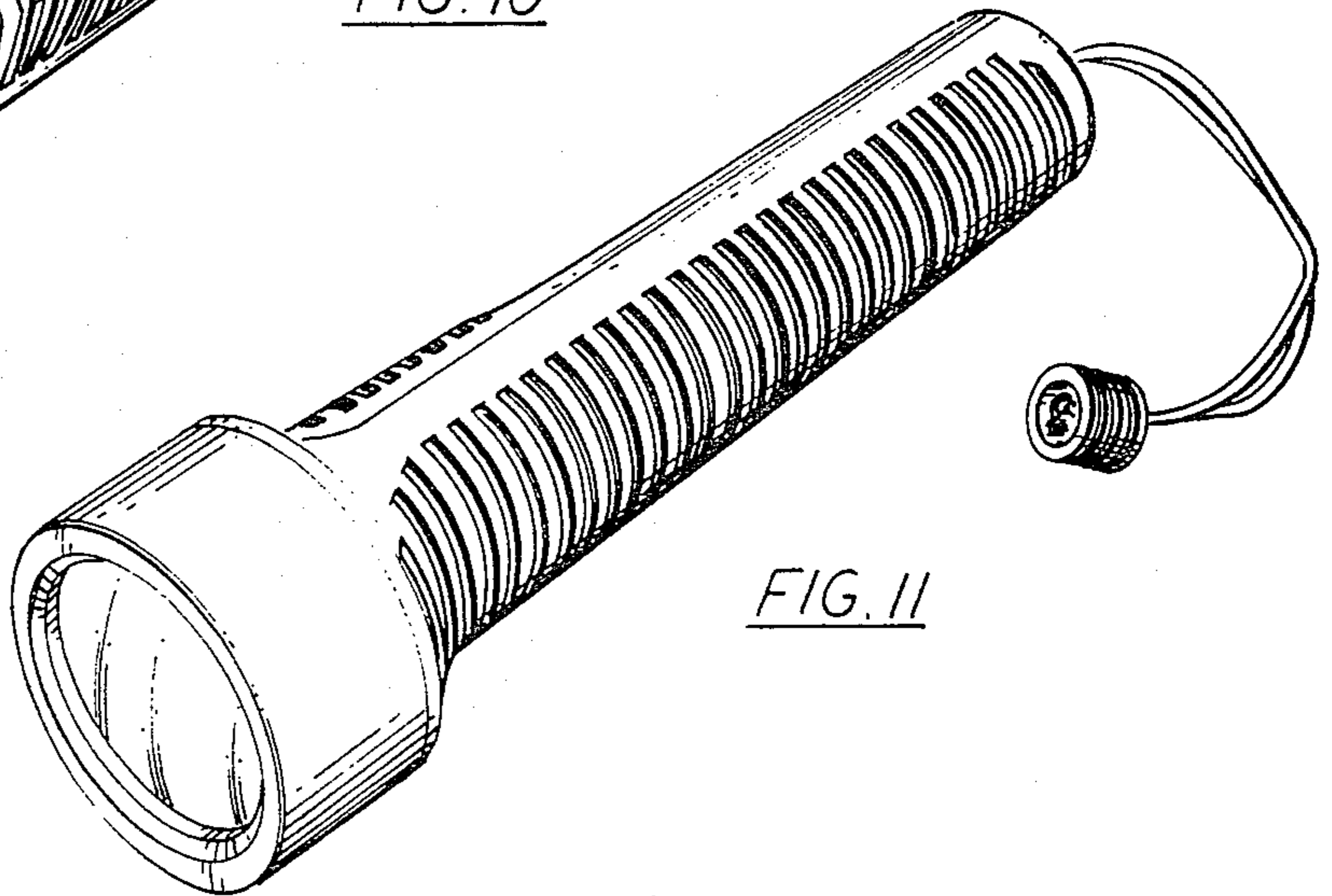


FIG. 11

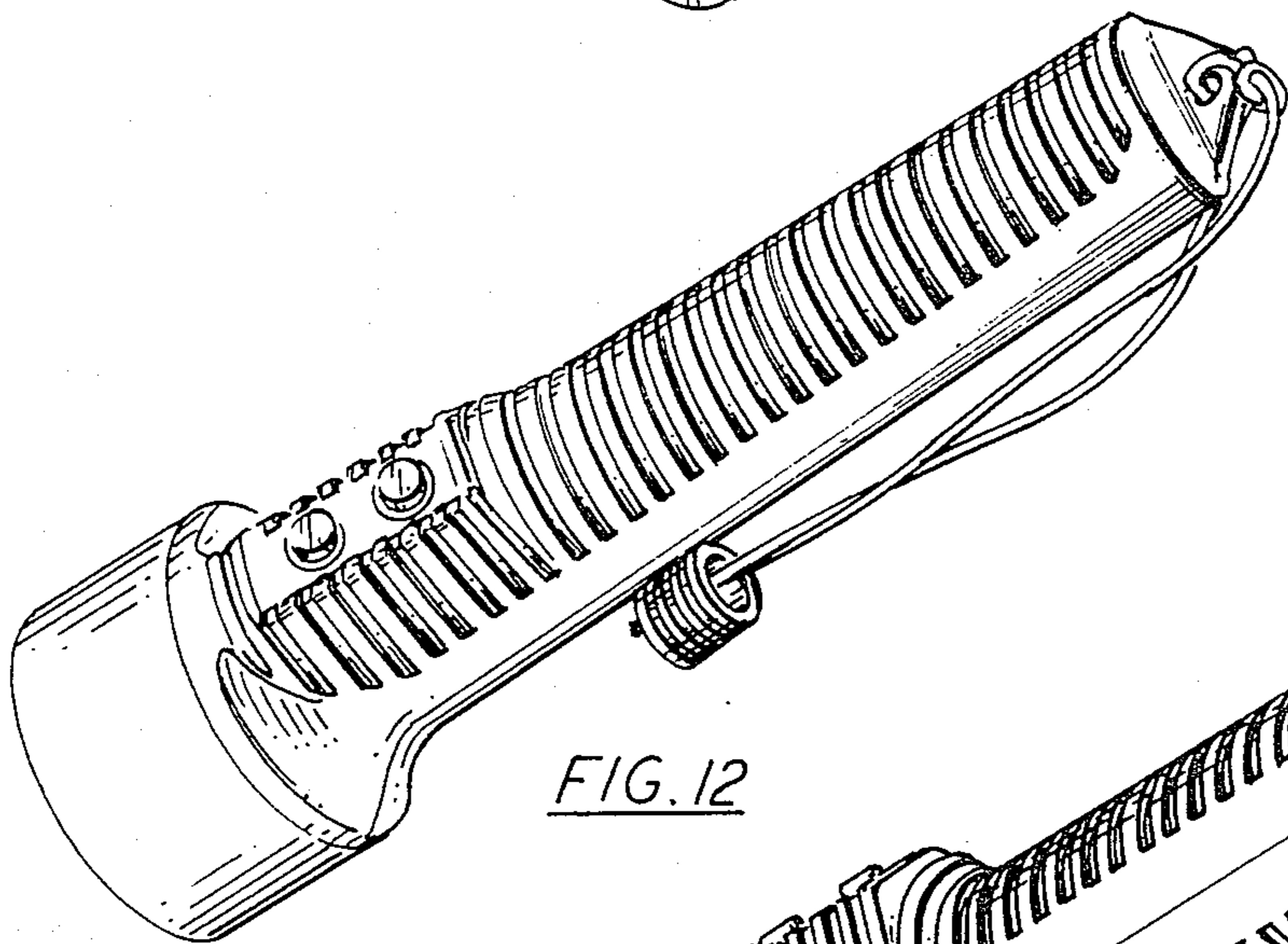


FIG. 12

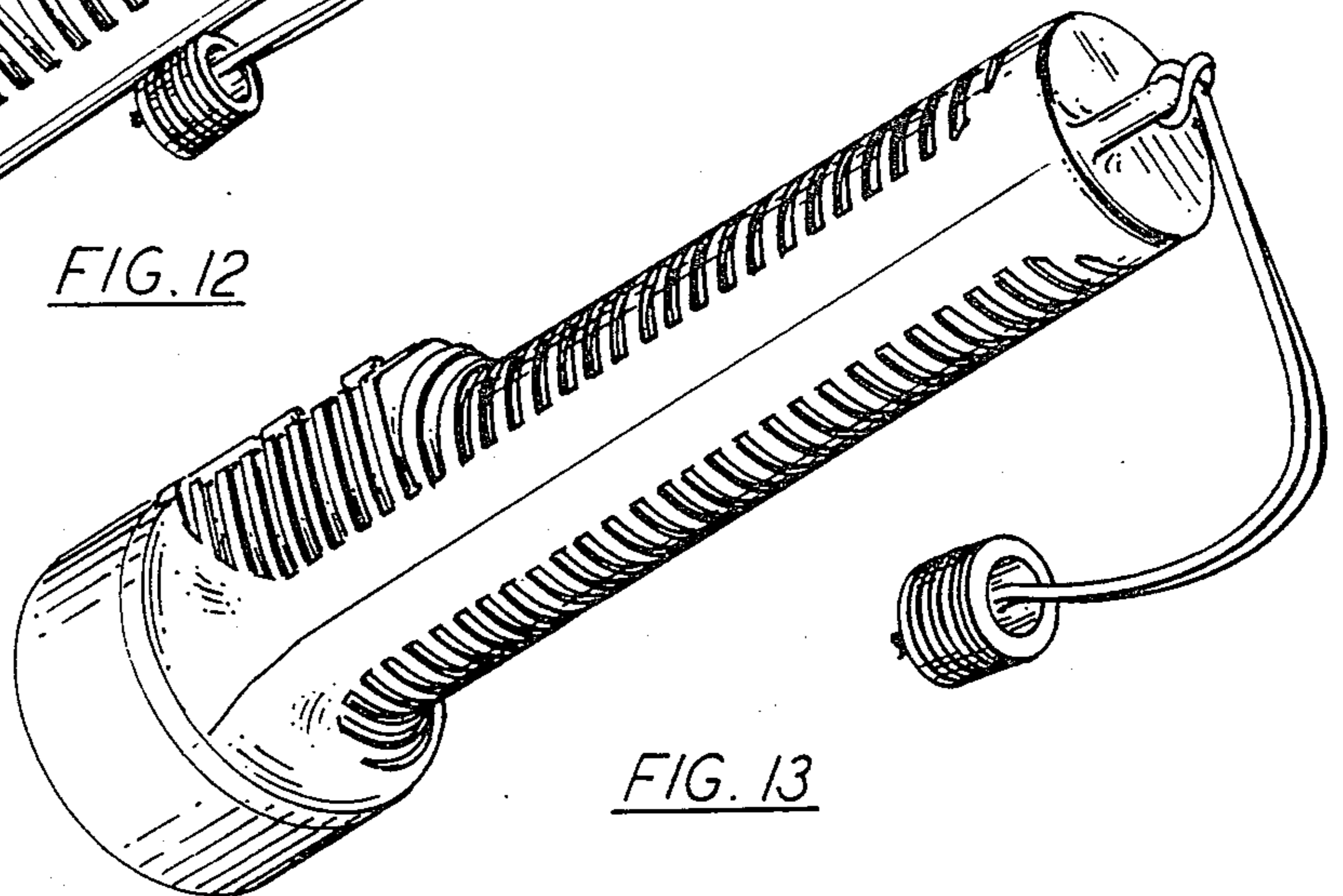


FIG. 13

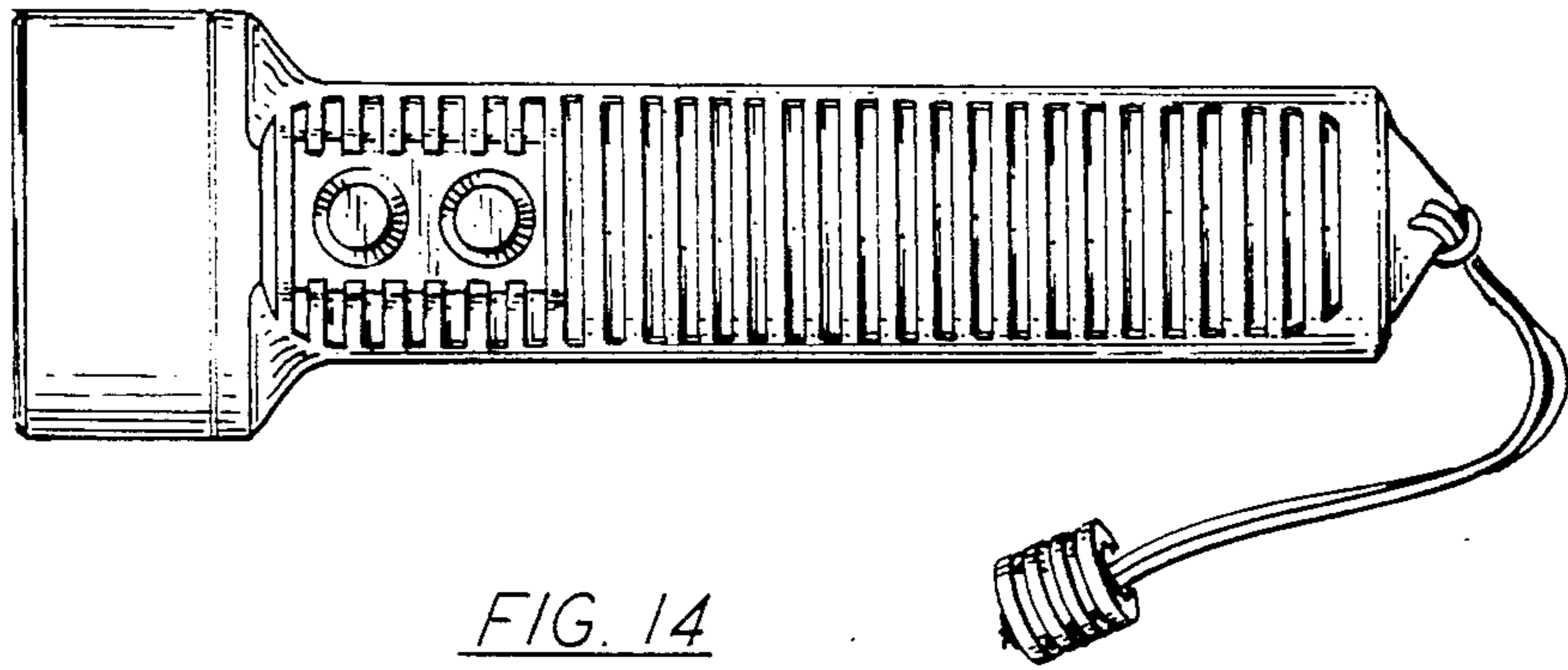


FIG. 14

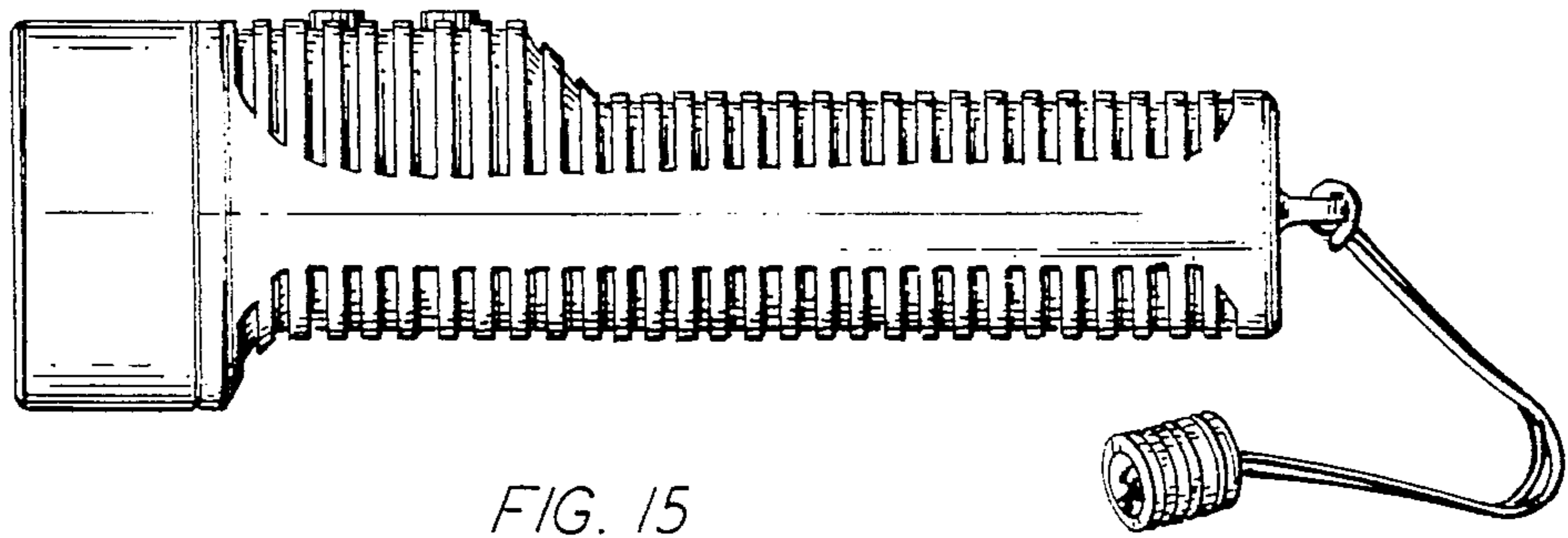


FIG. 15

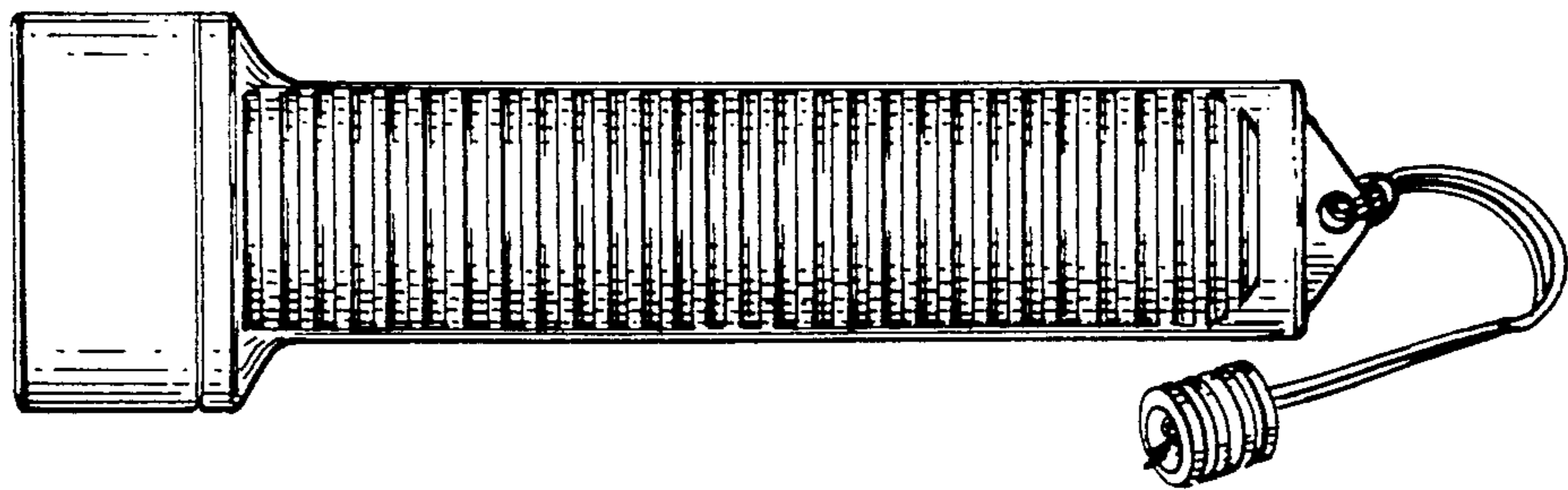


FIG. 16