

[54] **SURGICAL CLIP**

[75] **Inventors:** Roy D. Gravener; David T. Green, both of Norwalk; Herbert W. Korthoff, Wilton; Richard A. McGarry, Norwalk, all of Conn.

[73] **Assignee:** United States Surgical Corporation, Norwalk, Conn.

[**] **Term:** 14 Years

[21] **Appl. No.:** 480,433

[22] **Filed:** Mar. 30, 1983

[52] **U.S. Cl.** D24/27

[58] **Field of Search** D24/27, 26, 23; 128/346, 325, 326, 321

[56] **References Cited**

U.S. PATENT DOCUMENTS

D. 277,785	2/1985	Green	D24/27
2,307,377	1/1943	Riccardi	128/346
3,265,068	8/1966	Holohan	128/321
3,367,336	2/1968	Eizenberg	128/321
3,378,010	4/1968	Codling et al.	128/325
3,648,702	3/1972	Bean	128/321
3,653,389	4/1972	Shannon	128/354
3,906,957	9/1975	Weston	128/321
4,424,810	1/1984	Jenusiak	128/326
4,519,392	5/1985	Lingua	128/325

FOREIGN PATENT DOCUMENTS

0095249 11/1983 European Pat. Off. 128/346

Primary Examiner—A. Hugo Word
Assistant Examiner—Stella M. Reid
Attorney, Agent, or Firm—John E. Nathan; Douglas J. Gilbert

[57] **CLAIM**

The ornamental design for a surgical clip, substantially as shown and described.

DESCRIPTION

FIG. 1 is a perspective view of a surgical clip in the open condition showing our new design; FIG. 2 is a perspective view of a surgical clip in the closed condition showing our new design; FIG. 3 is an end elevational view thereof, looking from the bottom of FIG. 2; FIG. 4 is a side elevational view thereof, looking from the right of FIG. 2; FIG. 5 is a top plan view thereof in the open condition; FIG. 6 is an end elevational view thereof, looking from the right of FIG. 5; FIG. 7 is a side elevational view thereof, looking from the top of FIG. 5; FIG. 8 is a side elevational view thereof, looking from the bottom of FIG. 5; FIG. 9 is an end elevational view thereof, looking from the left of FIG. 5; and FIG. 10 is a bottom plan view thereof in the closed condition.

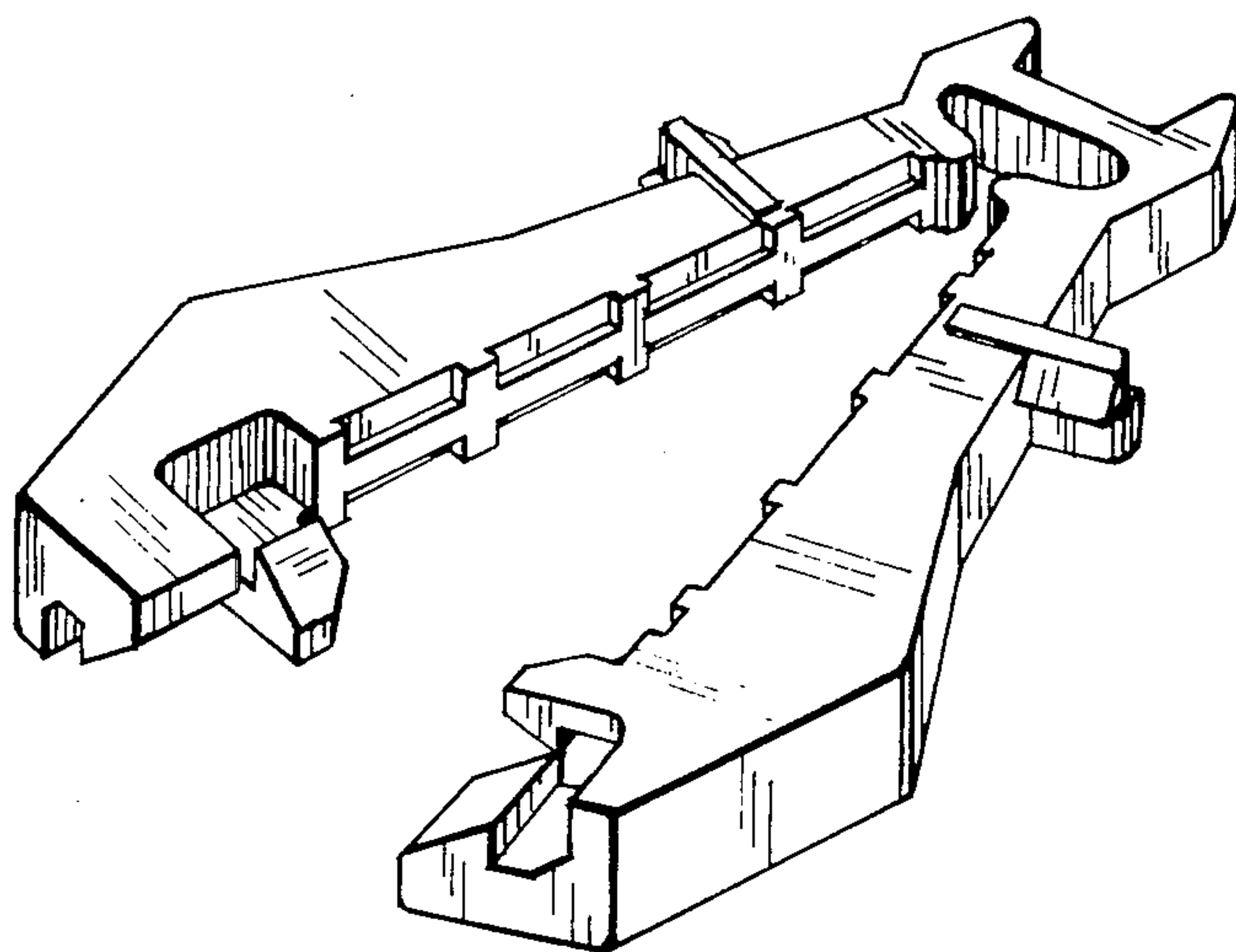


FIG. 1

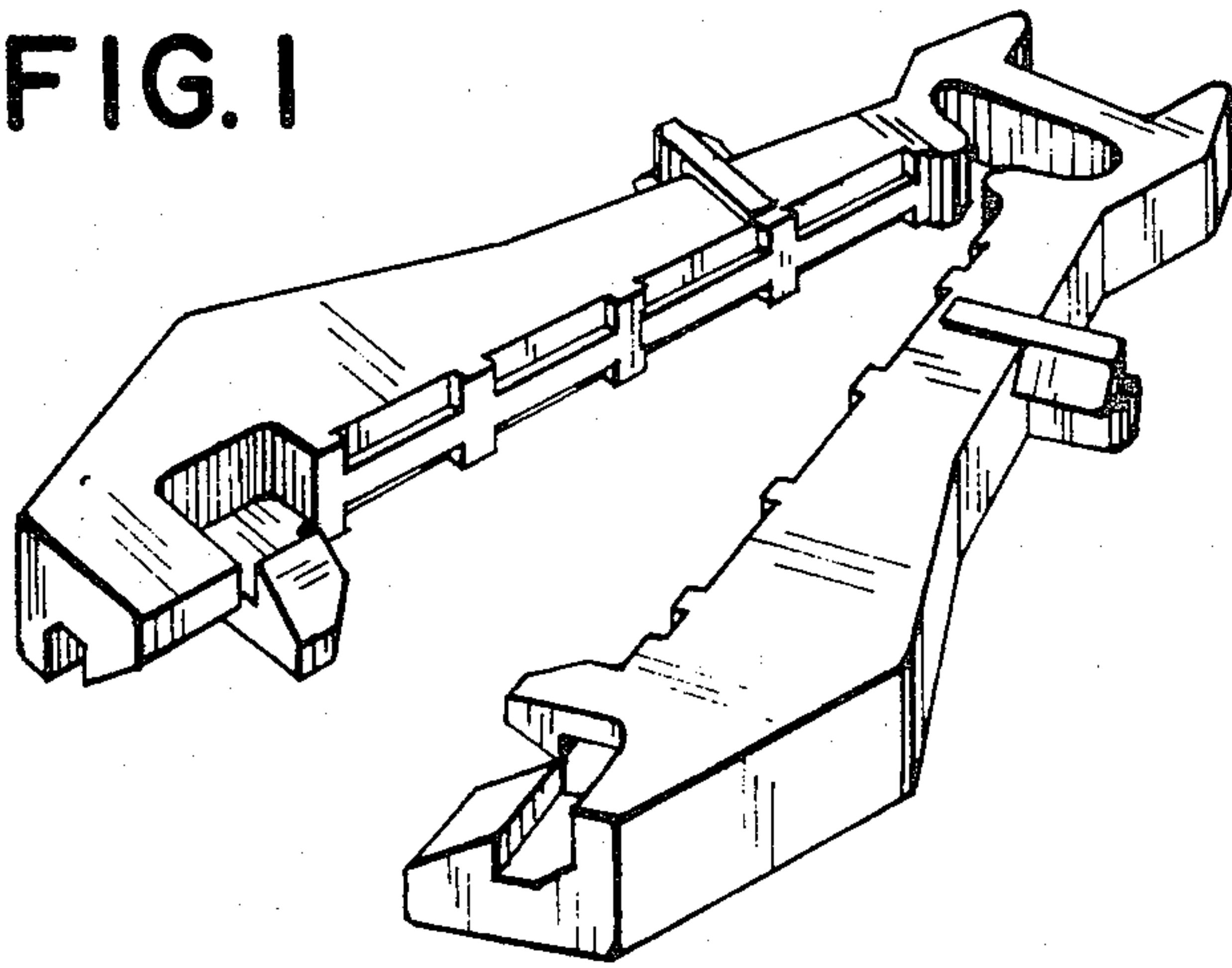


FIG. 2

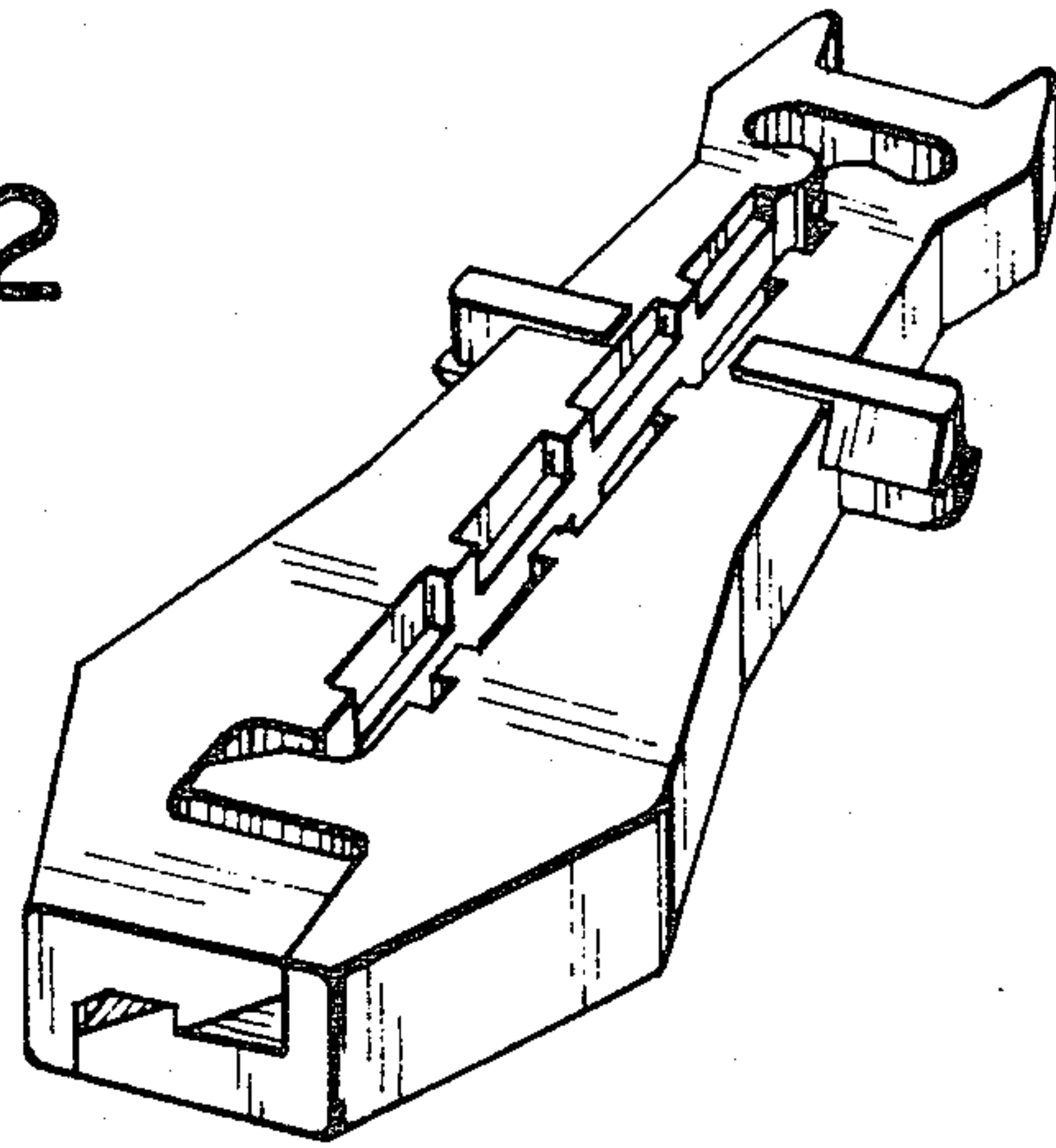
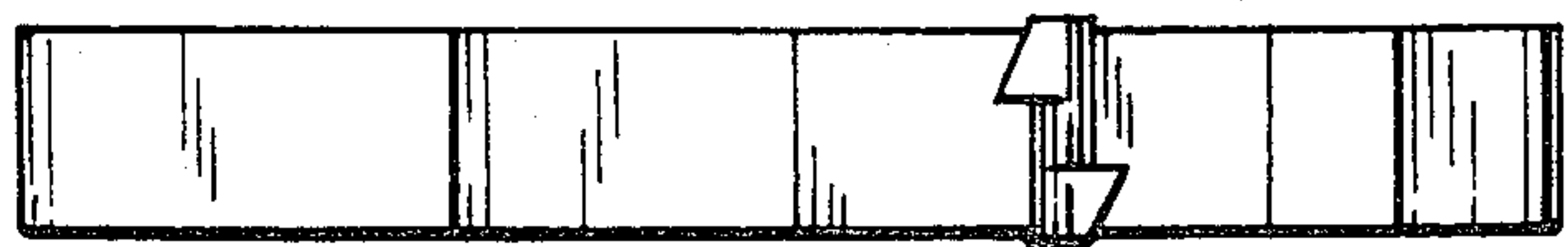


FIG. 3

FIG. 4



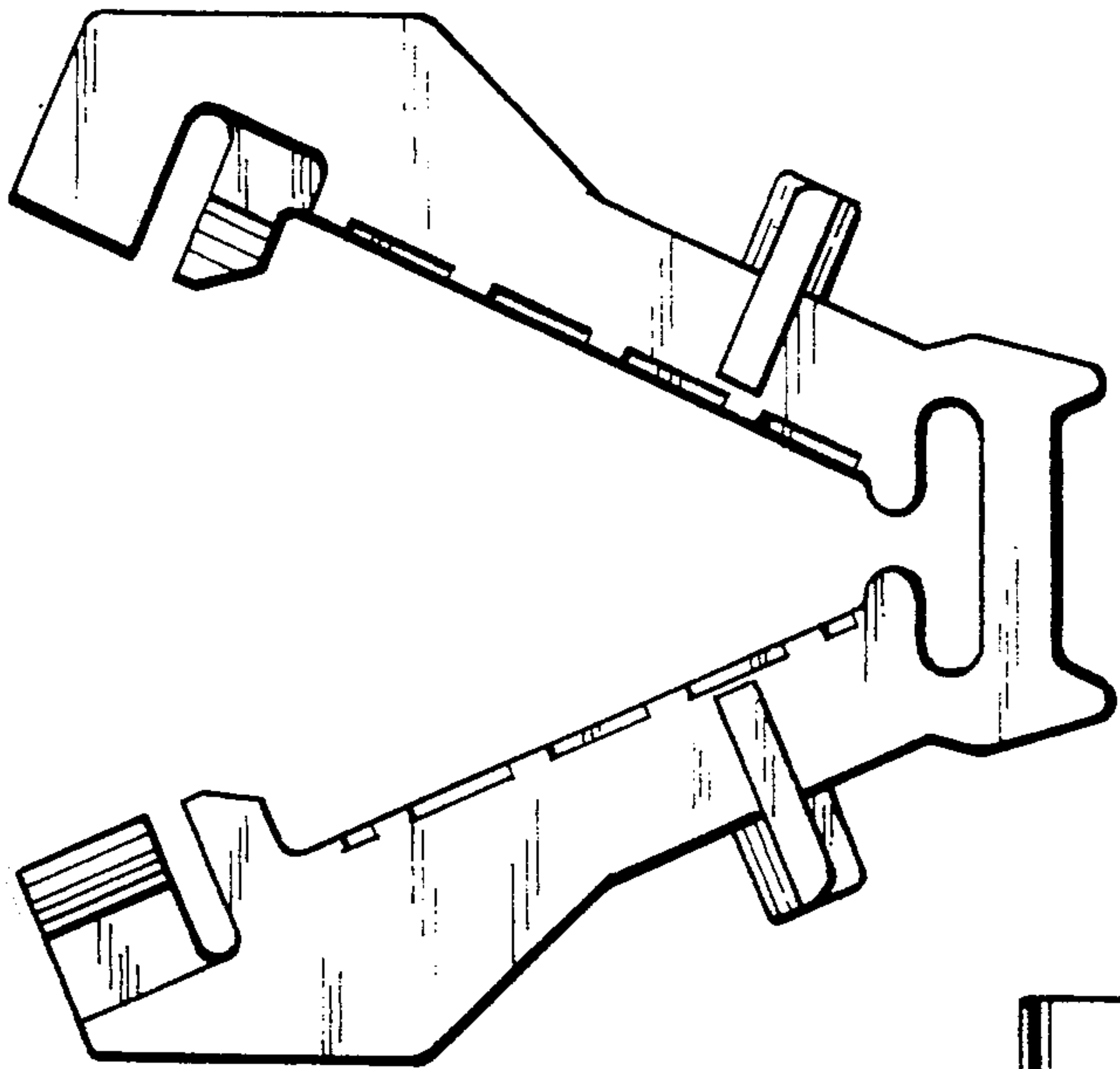


FIG. 5

FIG. 6



FIG. 7



FIG. 8

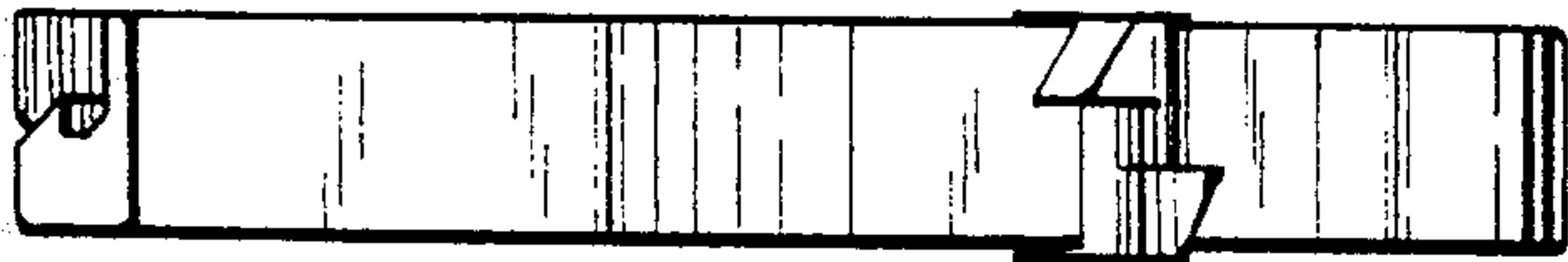


FIG. 9



FIG. 10

