

United States Patent [19]

Williams

[11] Patent Number: **Des. 283,637**

[45] Date of Patent: **** Apr. 29, 1986**

[54] **CROSSBOW**

4,258,689 3/1981 Barnett 124/25

[75] Inventor: **Ivan P. Williams**, Huntingdon, Nr. Crannock, England

FOREIGN PATENT DOCUMENTS

384409 2/1965 Switzerland 124/25

[73] Assignee: **Oakland Design Products Limited**, Leamington Spa, England

Primary Examiner—A. Hugo Word
Attorney, Agent, or Firm—Harold L. Marquis

[**] Term: **14 Years**

[57] **CLAIM**

[21] Appl. No.: **549,296**

The ornamental design for a crossbow, as shown.

[22] Filed: **Nov. 7, 1983**

DESCRIPTION

[52] U.S. Cl. **D22/5**

[58] Field of Search 124/25; **D22/5**

FIG. 1 is a side rear view of the crossbow;
FIG. 2 is the opposite side thereof;
FIG. 3 is a side view similar to FIG. 1 with the bow in its retracted position;
FIG. 4 is a side view side similar to FIG. 2 with the bow in its retracted position;
FIG. 5 is a plan view of the crossbow, and
FIG. 6 is an underplan view of the crossbow with the stock rotated through 90°.

[56] References Cited

U.S. PATENT DOCUMENTS

2,786,461 3/1957 Pelsue, Jr. 124/25
3,224,427 12/1965 Ronan 124/25
3,561,419 2/1971 Cucuzza, Sr. 124/25

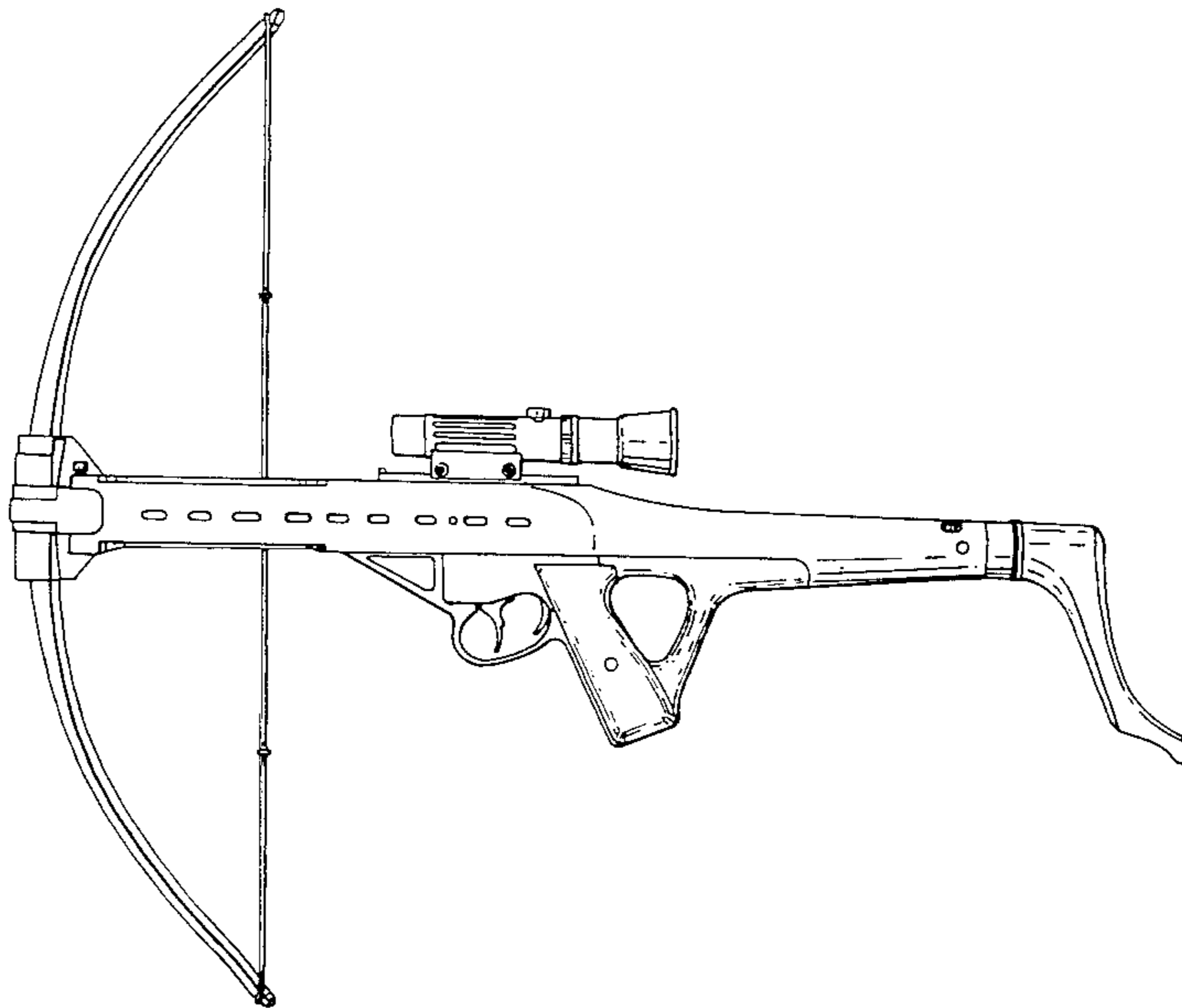
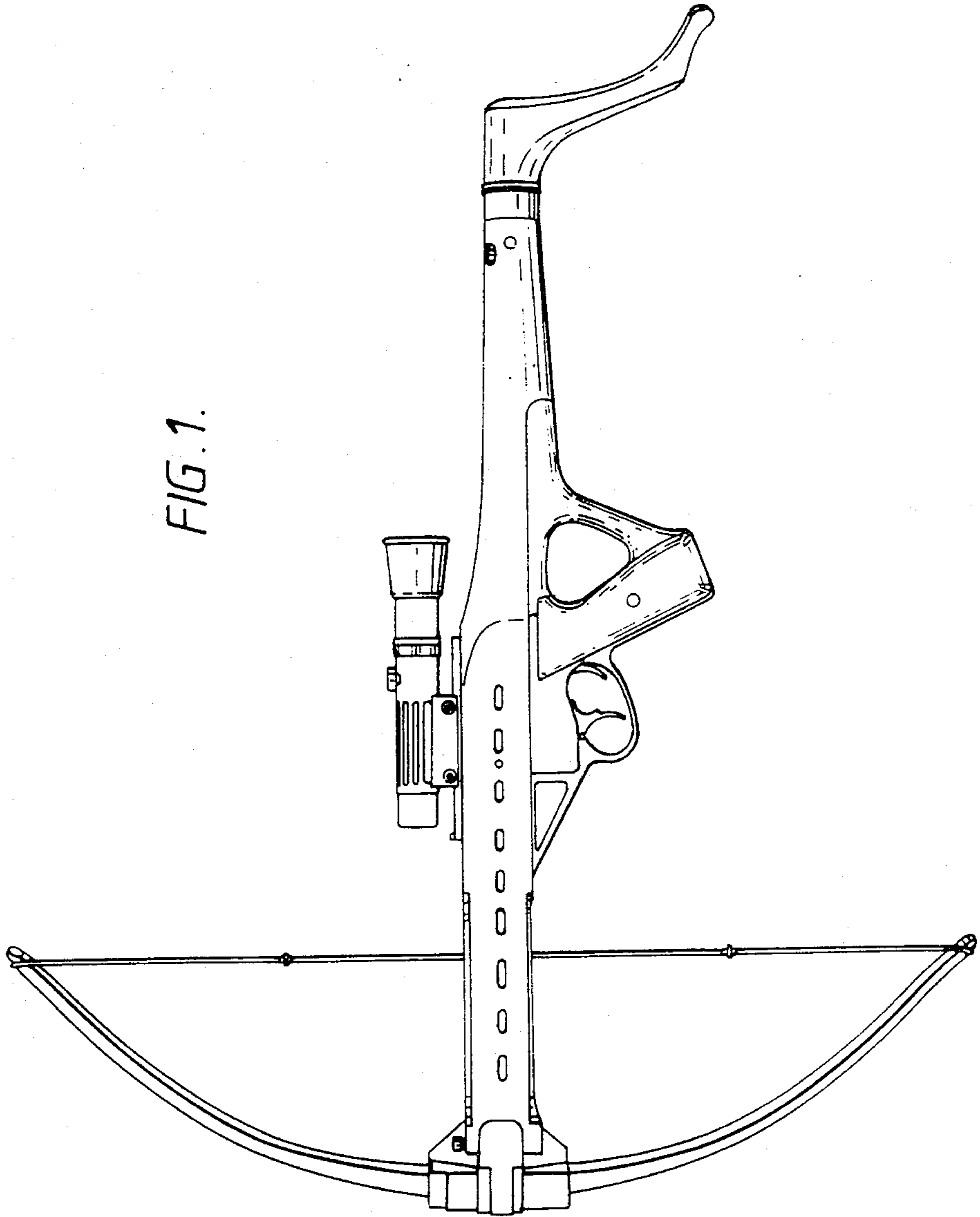


FIG. 1.



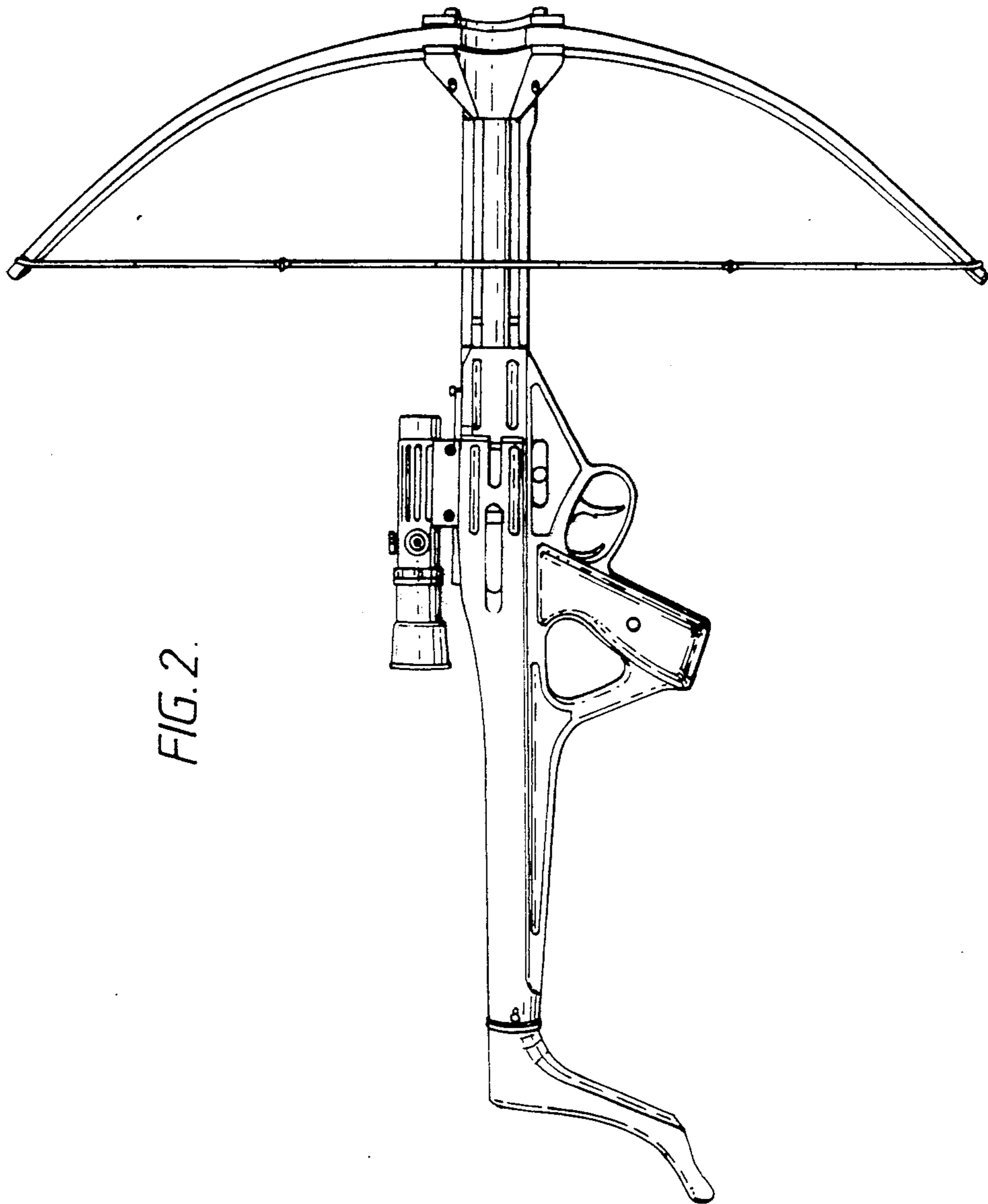
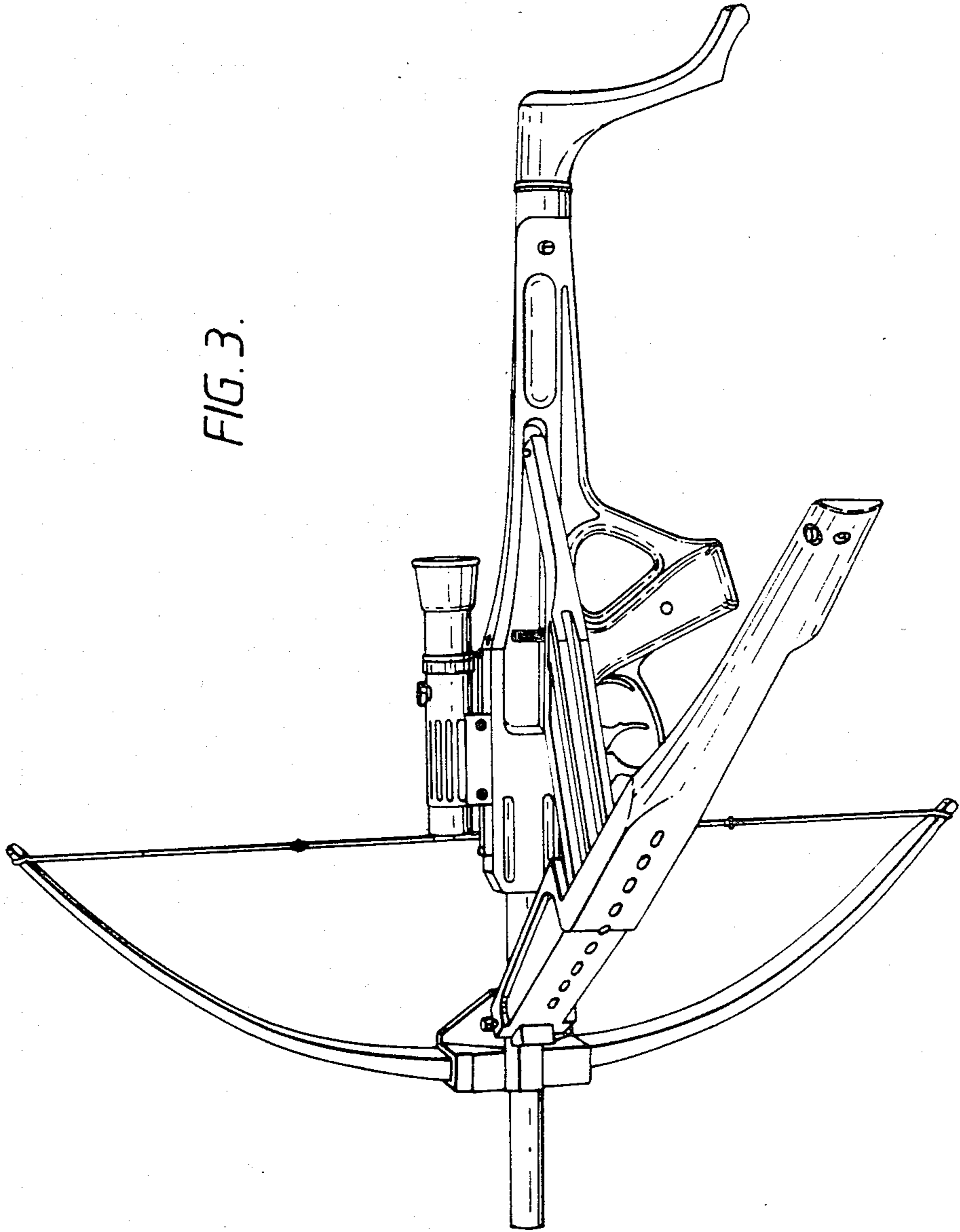


FIG. 2.

FIG. 3.



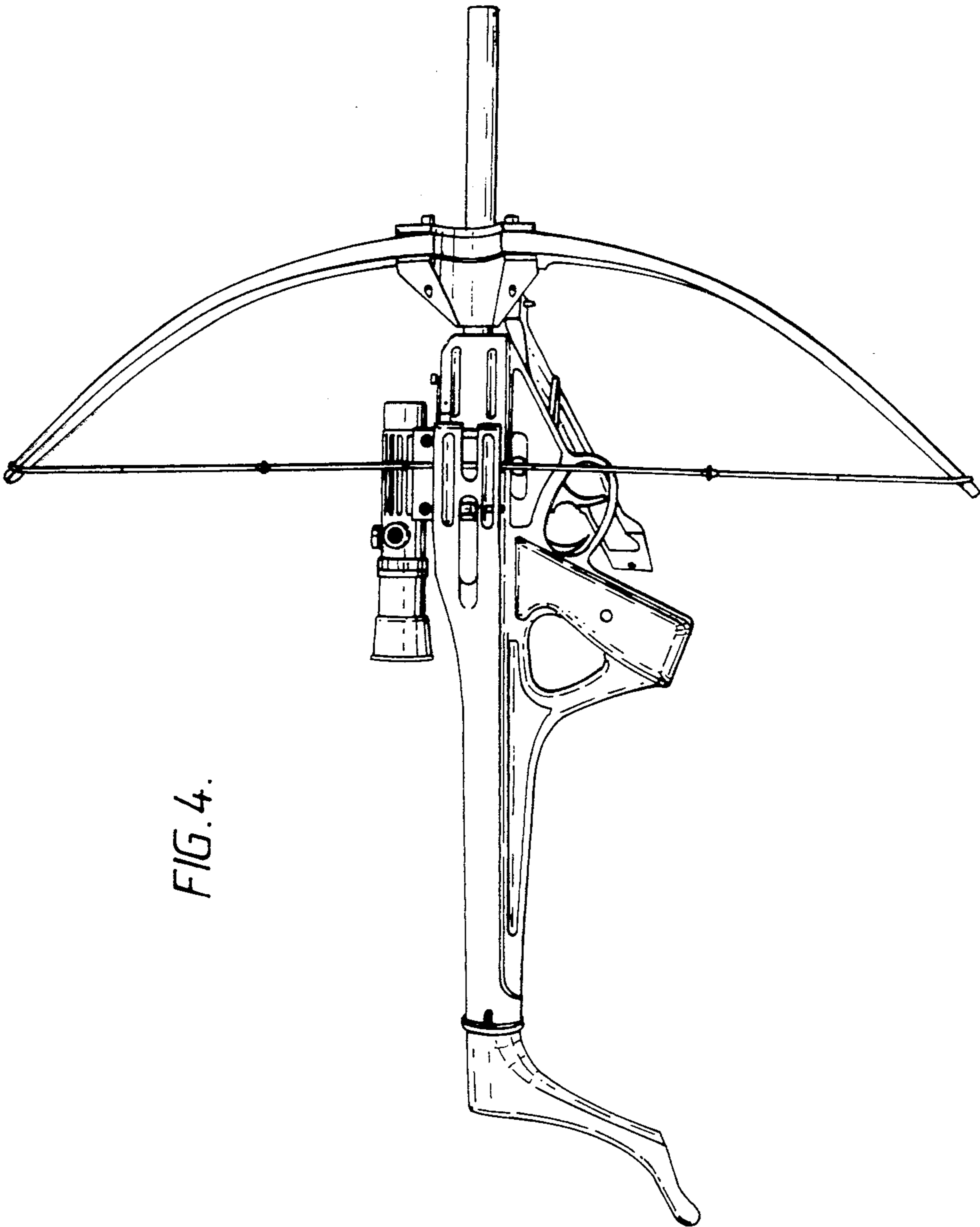


FIG. 4.

FIG. 5.

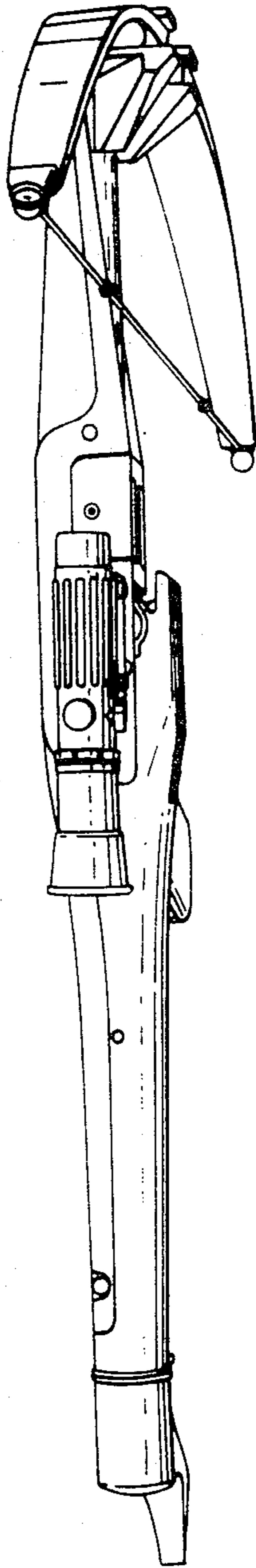


FIG. 6.

