

[54] COMBINED ROWING AND BICYCLE EXERCISER

[76] Inventor: Chelsea Lepley, 1013 Dearborn, Helena, Mont. 59601

[\*\*] Term: 14 Years

[21] Appl. No.: 663,370

[22] Filed: Oct. 22, 1984

[52] U.S. Cl. .... D21/194; D21/191

[58] Field of Search ..... D21/191, 194, 198; 272/90.3, 73, 132, DIG. 6; 73/379; 128/363, 364

[56] References Cited

U.S. PATENT DOCUMENTS

D. 191,792 11/1961 Maratta ..... D21/194

D. 218,107 7/1970 Feather et al. .... D21/194  
D. 250,284 11/1978 Borck ..... D21/194  
D. 279,811 7/1985 Nakao et al. .... D21/194

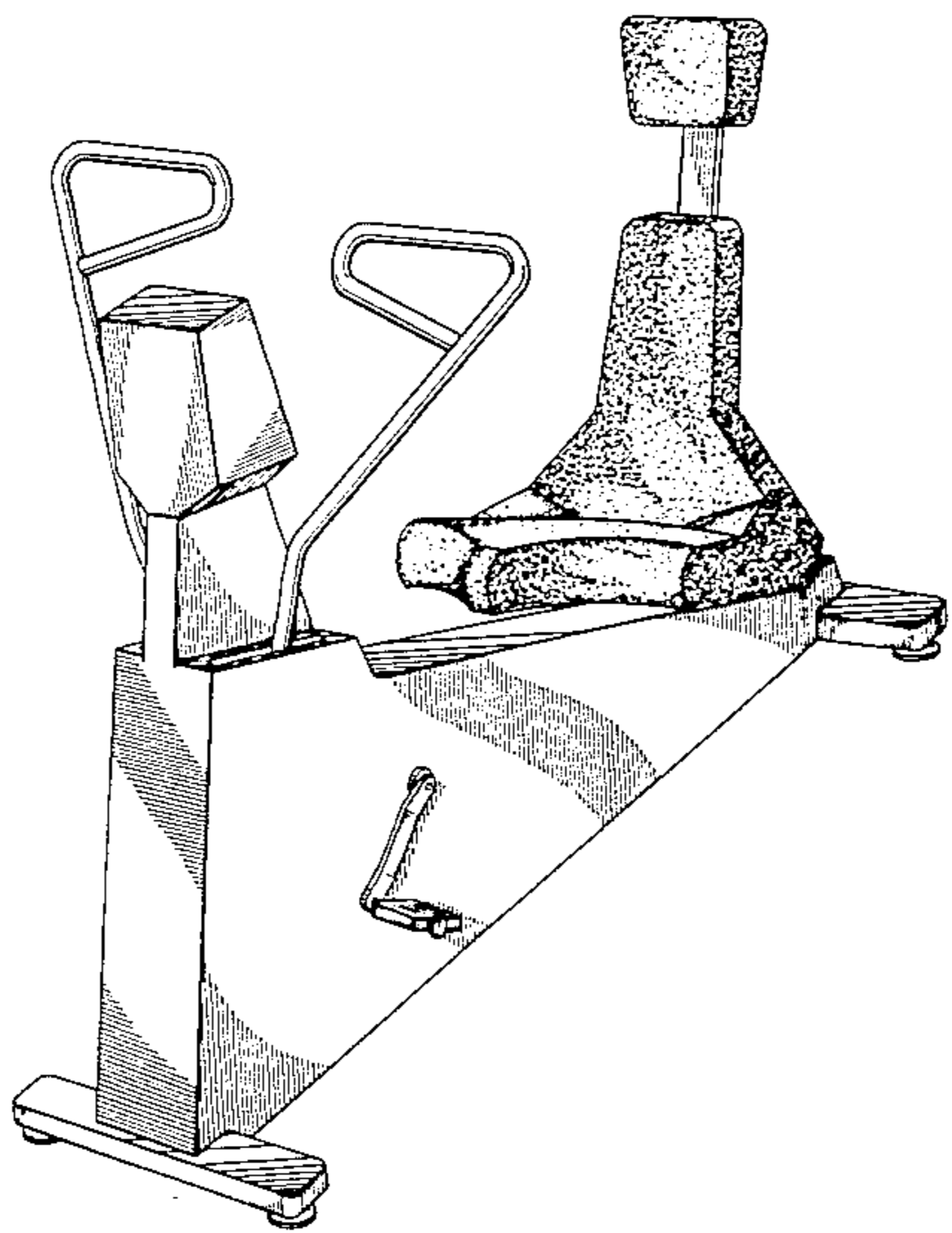
Primary Examiner—Charles A. Rademaker  
Attorney, Agent, or Firm—Richards, Harris, Medlock & Andrews

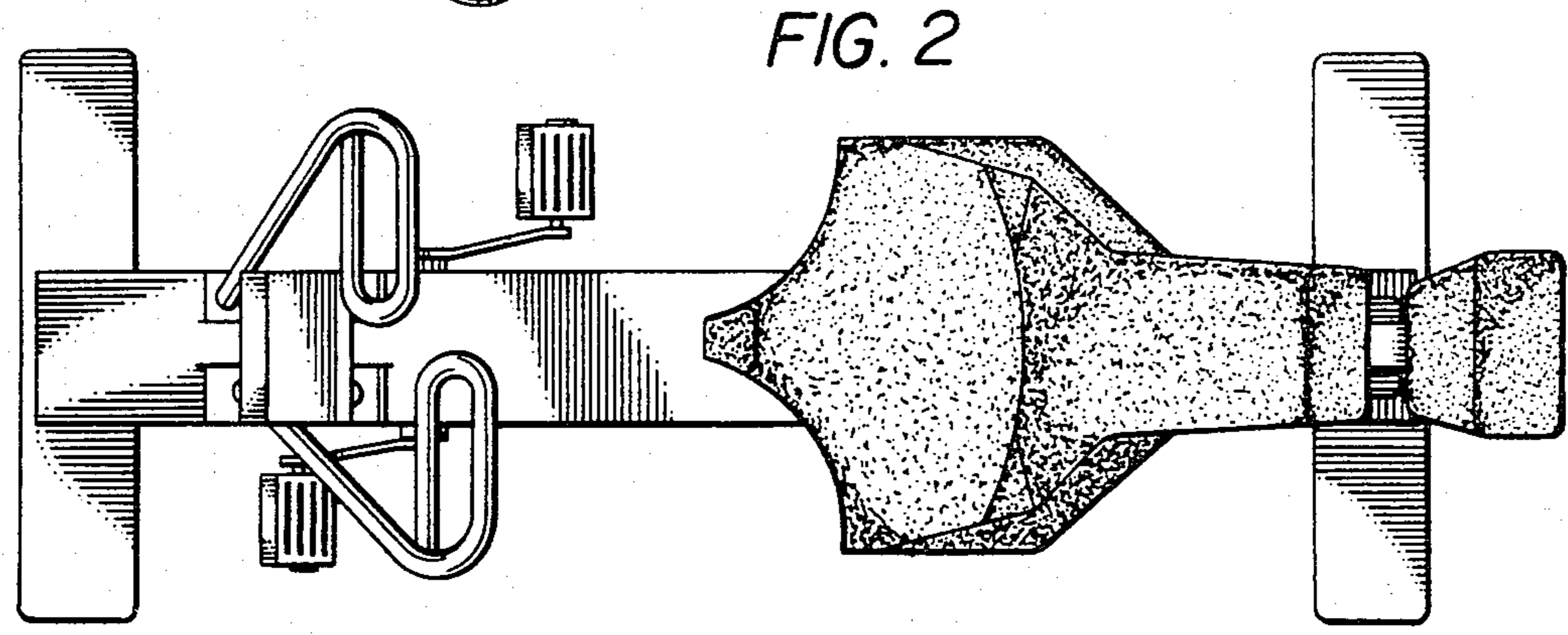
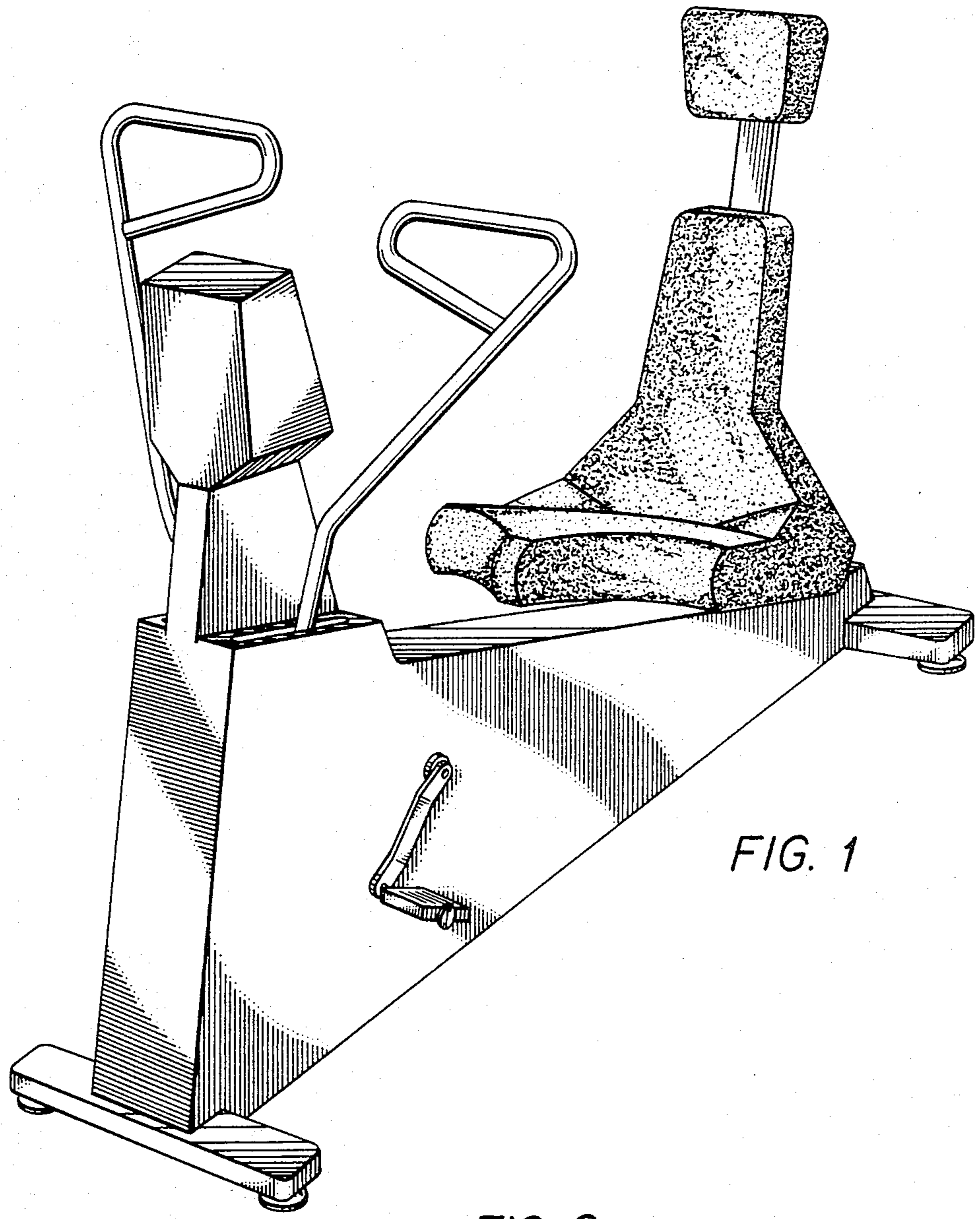
[57] CLAIM

The ornamental design for a combined rowing and bicycle exerciser, as shown.

DESCRIPTION

FIG. 1 is a perspective view of a combined rowing and bicycle exerciser showing my new design; FIG. 2 is a top plan view thereof; FIG. 3 is a front elevational view thereof; FIG. 4 is a left side elevational view thereof; FIG. 5 is a rear elevational view thereof; and FIG. 6 is a right side elevational view thereof.





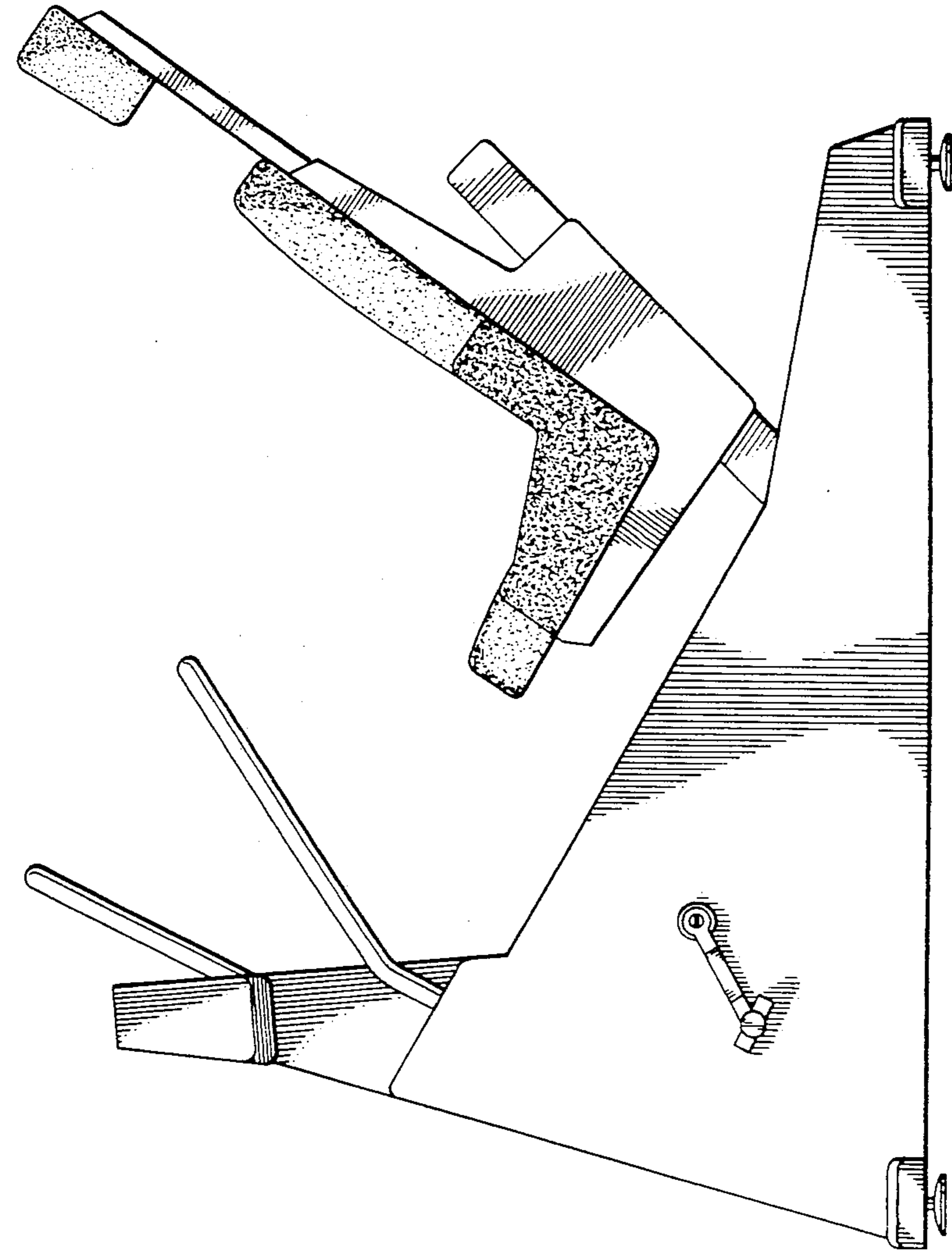


FIG. 4

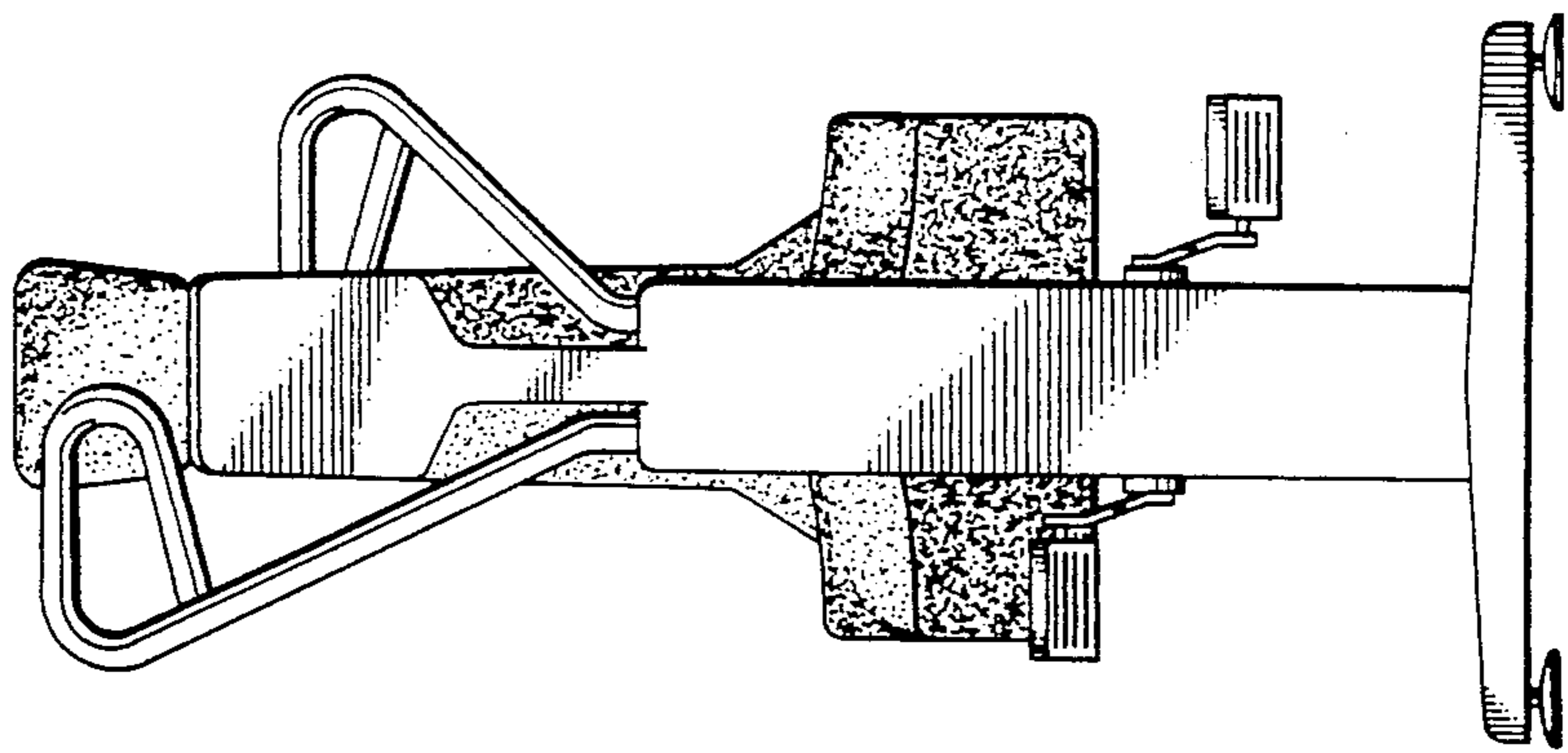


FIG. 3

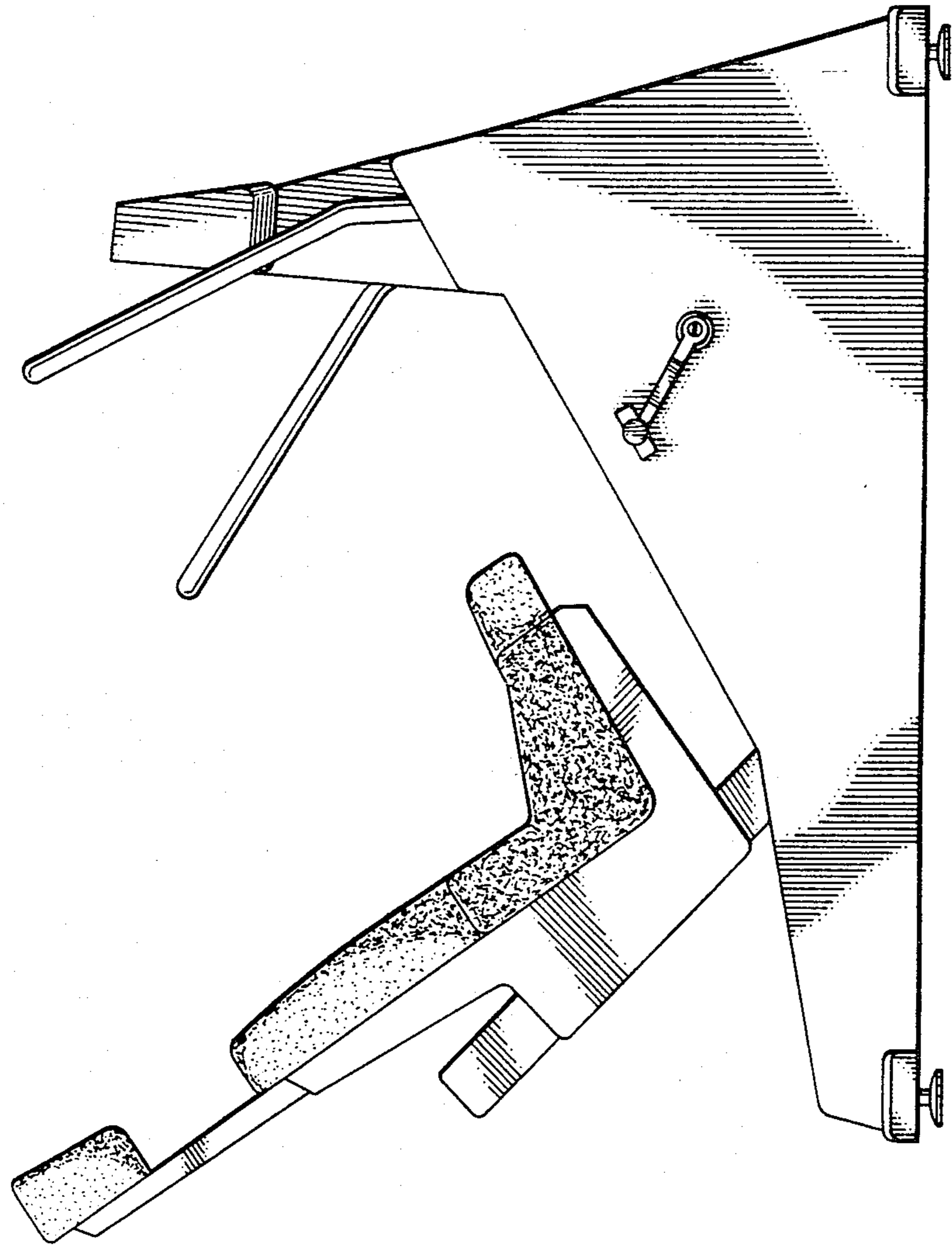


FIG. 5

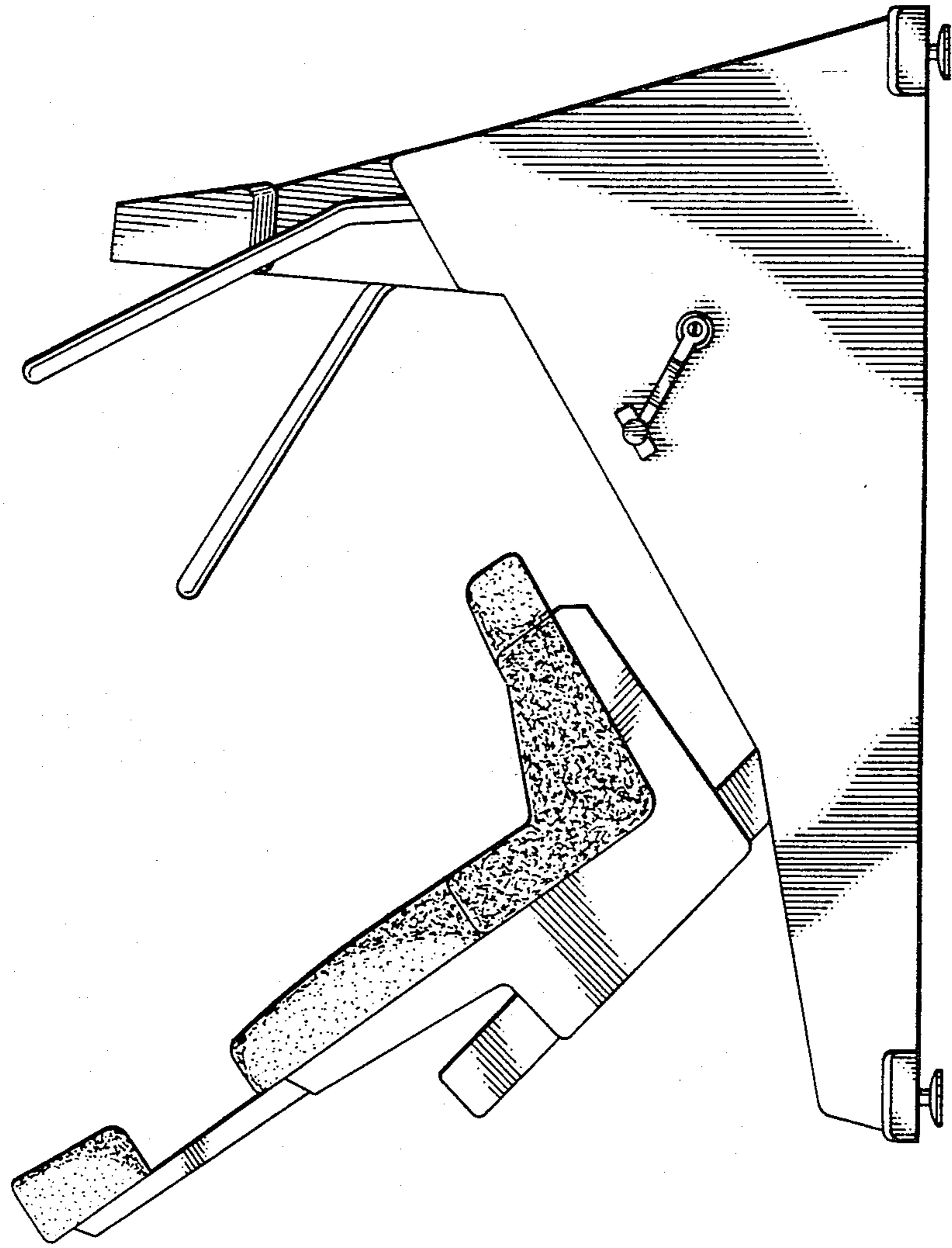


FIG. 6