

[54] **TOY CONSTRUCTION PIECE**

[75] **Inventors:** Yuji Kato, Tokyo, Japan; Michael W. Nuttall, So. Pasadena, Calif.

[73] **Assignee:** Tomy Kogyo Company, Inc., Tokyo, Japan

[\*\*] **Term:** 14 Years

[21] **Appl. No.:** 492,624

[22] **Filed:** May 9, 1983

[52] **U.S. Cl.** ..... D21/108

[58] **Field of Search** ..... D21/108; 146/85, 87, 146/88, 95, 103, 120, 122, 124, 128; D8/382

[56] **References Cited**

**U.S. PATENT DOCUMENTS**

4,103,774 8/1978 Shingyouchi ..... 446/124

**FOREIGN PATENT DOCUMENTS**

5921972 8/1972 Denmark ..... D21/108

**OTHER PUBLICATIONS**

Childcraft Catalog, Spring/Summer Catalog, 1982, p. 31, Toy Construction Piece at "H".

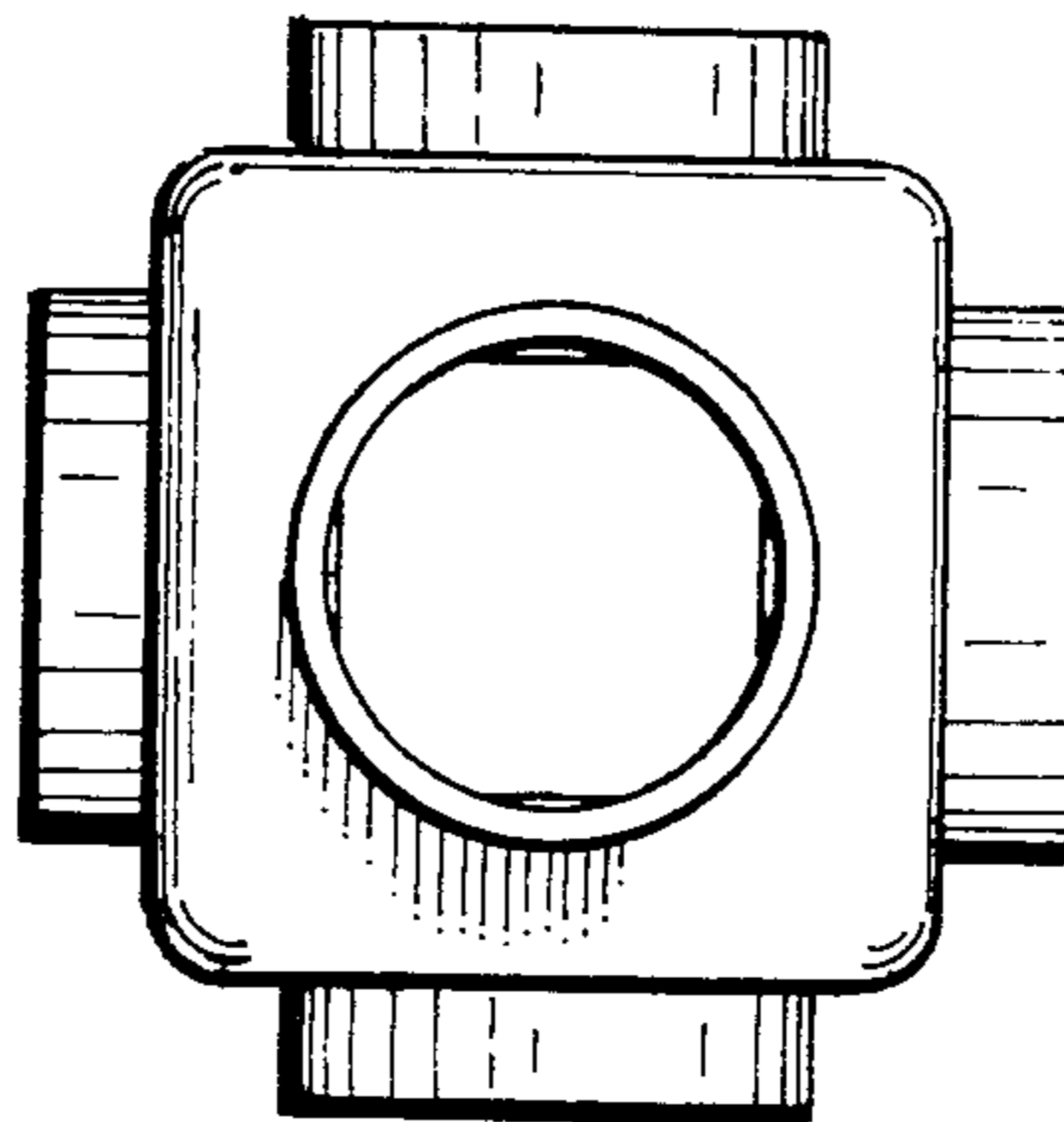
*Primary Examiner*—Charles A. Rademaker  
*Attorney, Agent, or Firm*—K. H. Boswell

[57] **CLAIM**

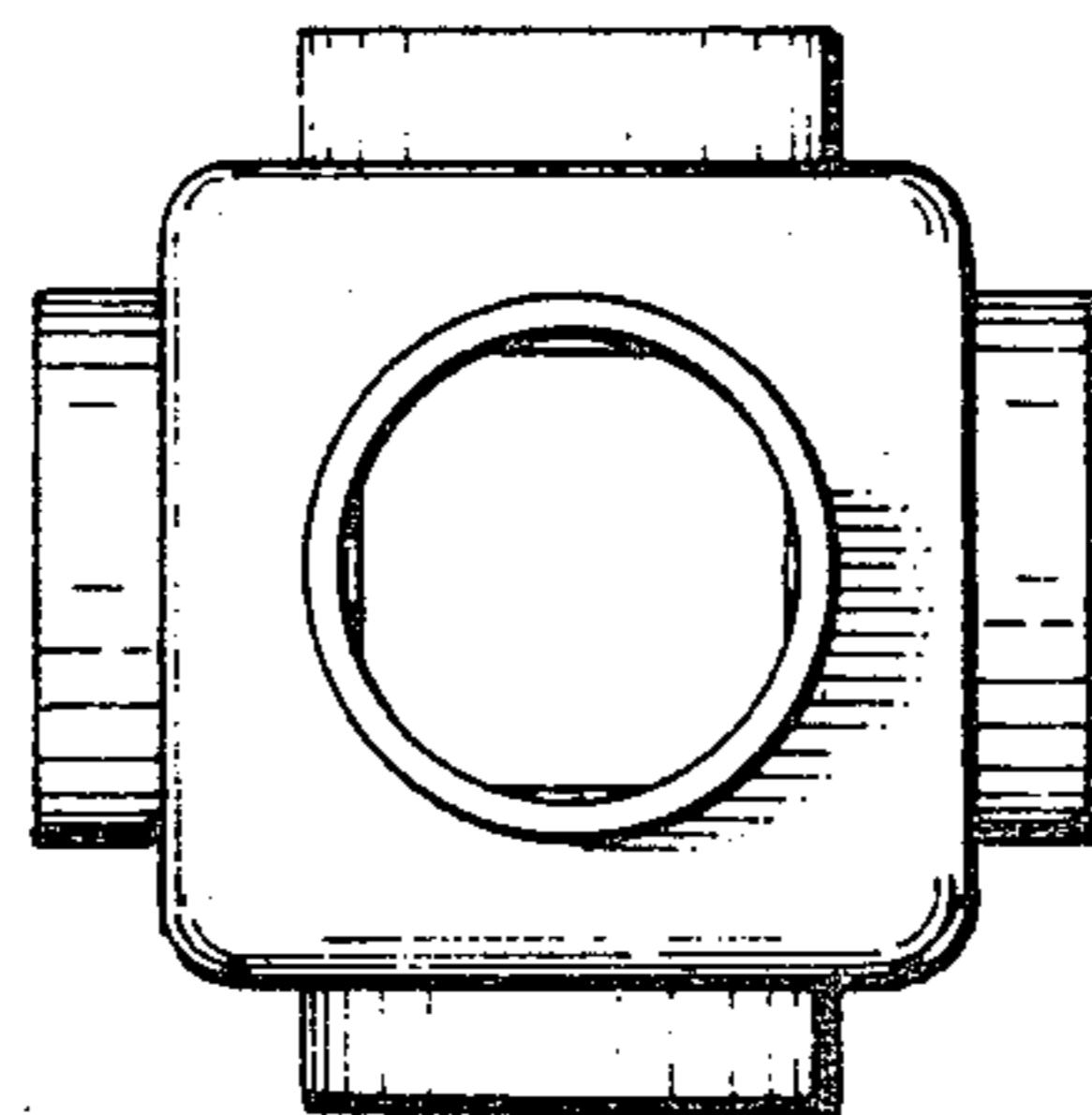
The ornamental design for a toy construction piece, substantially as shown and described.

**DESCRIPTION**

FIG. 1 is a side elevational view of a toy construction piece showing our new design, the other five sides thereof being identical; and FIG. 2 is a perspective view thereof.



*FIG. 1*



*FIG. 2*

