

United States Patent [19]

Kato et al.

[11] Patent Number: **Des. 283,634**

[45] Date of Patent: **** Apr. 29, 1986**

[54] TOY CONSTRUCTION PIECE

[75] Inventors: **Yuji Kato**, Tokyo, Japan; **Michael W. Nuttall**, South Pasadena, Calif.

[73] Assignee: **Tomy Kogyo, Inc.**, Tokyo, Japan

[**] Term: **14 Years**

[21] Appl. No.: **492,623**

[22] Filed: **May 9, 1983**

[52] U.S. Cl. **D21/108**

[58] Field of Search **D21/108; 446/85, 88, 446/87, 95, 103, 120, 122, 124, 128, 89, 111, 116, 119, 121; D8/382**

[56] **References Cited**

U.S. PATENT DOCUMENTS

D. 260,662 9/1981 Hida .

FOREIGN PATENT DOCUMENTS

5921972 8/1972 Denmark D21/108

Primary Examiner—Charles A. Rademaker
Attorney, Agent, or Firm—K. H. Boswell

[57] **CLAIM**

The ornamental design for a toy construction piece, substantially as shown and described.

DESCRIPTION

FIG. 1 is a side elevational view of a toy construction piece showing our new design, the other five sides thereof being identical; and FIG. 2 is a perspective view thereof.

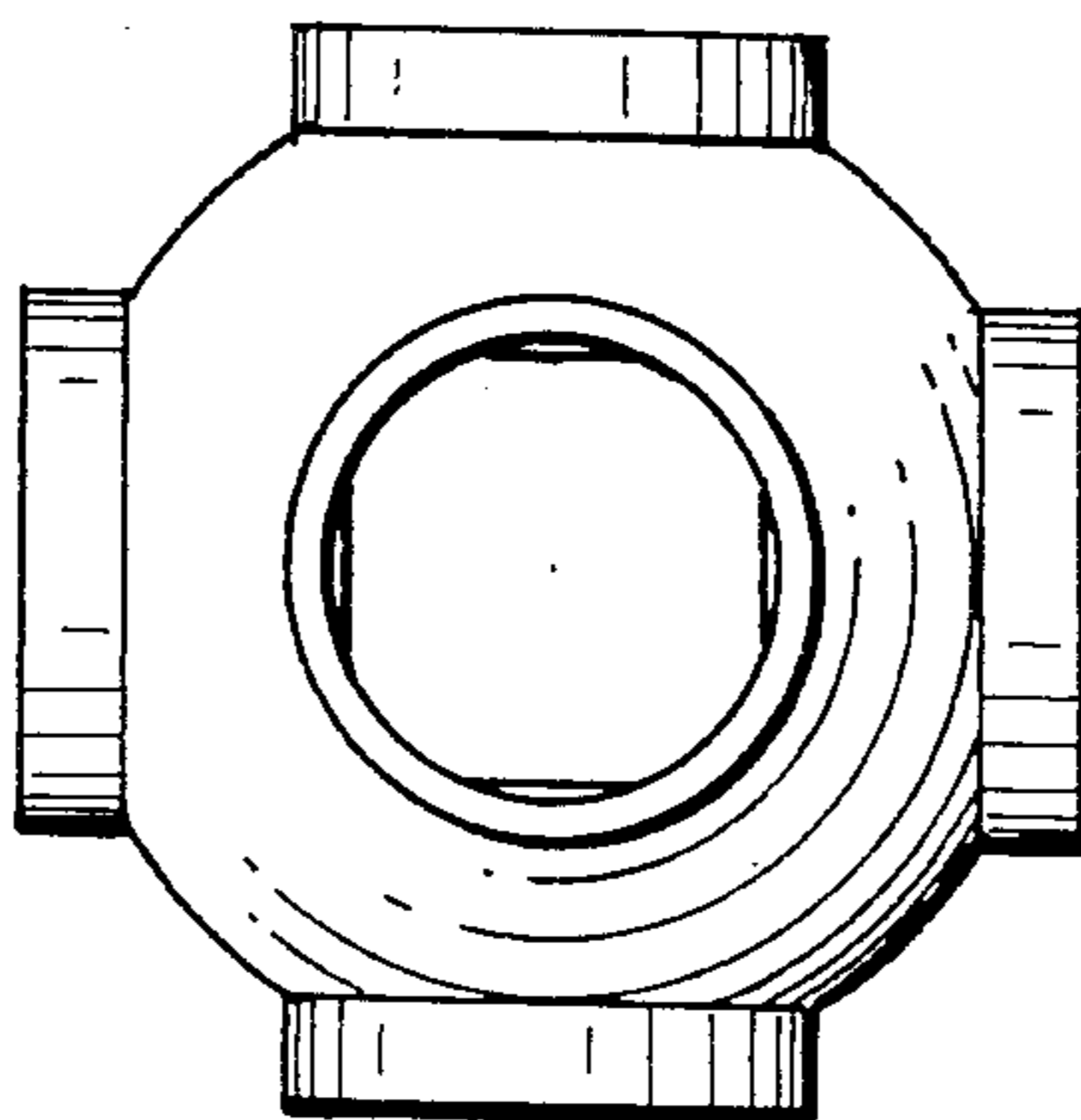


Fig. 1

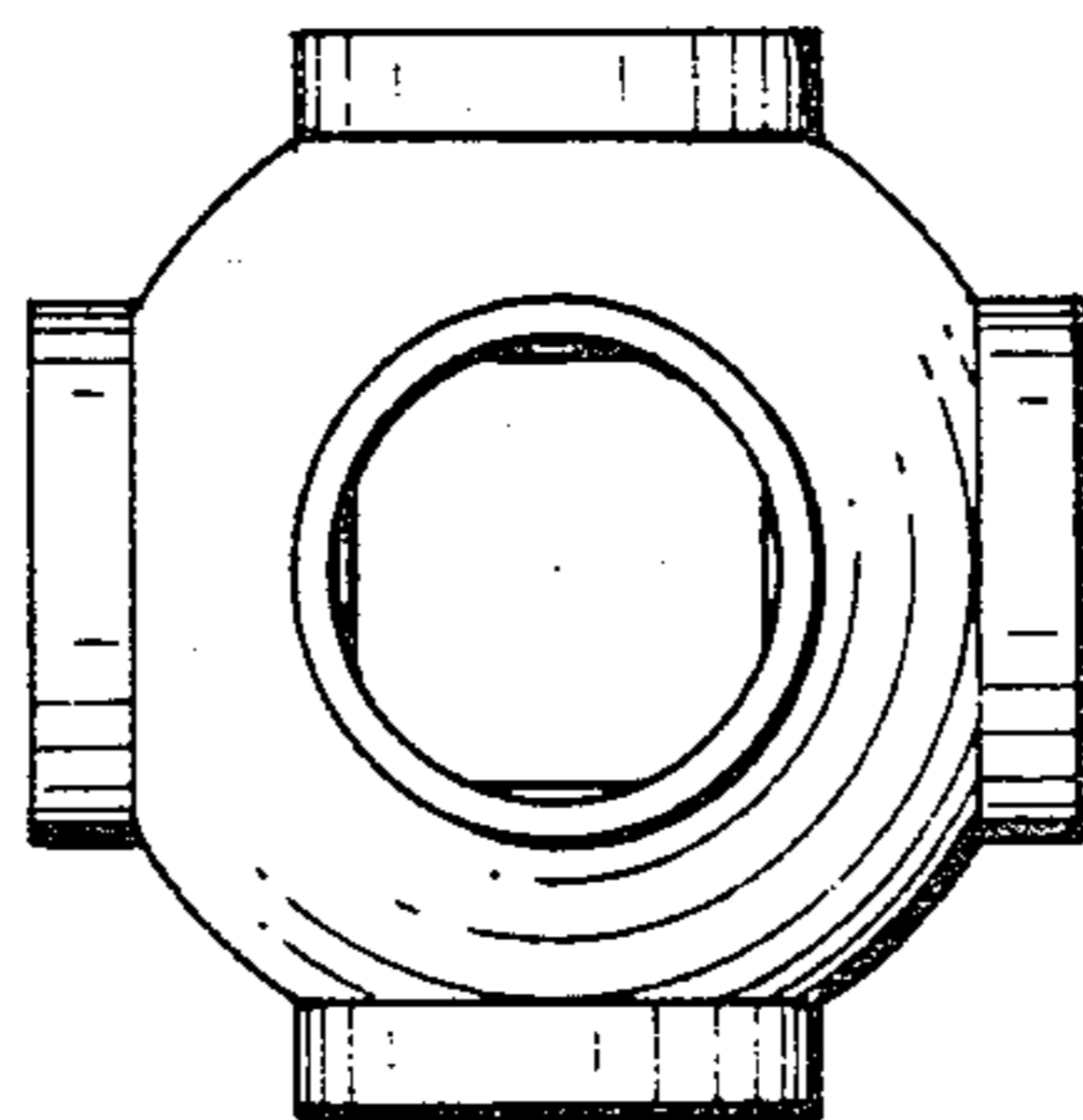


Fig. 2

