

[54] DOCUMENT FEEDER FOR COPYING MACHINE

[75] Inventor: Tetsuya Goto, Kanagawa, Japan

[73] Assignee: Ricoh Company, Ltd., Japan

[\*\*] Term: 14 Years

[21] Appl. No.: 564,333

[22] Filed: Dec. 22, 1983

[30] Foreign Application Priority Data

Jun. 24, 1983 [JP] Japan ..... 58-027348

[52] U.S. Cl. .... D16/32

[58] Field of Search ..... D16/27, 38, 32; 271/3, 271/3.1, 4, 9, 35, 171, 273-274, 280, 289-297, 305; D14/110-114

[56] References Cited

U.S. PATENT DOCUMENTS

- D. 197,996 4/1964 Abend ..... D16/31
- D. 214,959 8/1969 Anderson ..... D16/30
- D. 234,005 12/1974 Yagi ..... D16/27
- D. 263,962 4/1982 Kurozumi ..... D16/32

- D. 267,565 1/1983 Fossella ..... D16/32
- D. 267,804 2/1983 Kalaitis ..... D16/32
- D. 272,830 2/1984 Hara ..... D16/32
- D. 276,238 11/1984 Kosako ..... D16/32
- 3,891,203 6/1975 Schiff ..... 271/35 X
- 4,203,585 5/1980 Kunz ..... 271/4
- 4,279,504 7/1981 Brown ..... 271/3.1 X
- 4,460,269 7/1984 Yamazaki ..... 271/3.1

Primary Examiner—Nelson C. Holtje  
Attorney, Agent, or Firm—Guy W. Shoup

[57] CLAIM

The ornamental design for a document feeder for copying machine, as shown.

DESCRIPTION

FIG. 1 is a front elevational view of a document feeder for copying machine showing my new design;  
 FIG. 2 is a top plan view thereof;  
 FIG. 3 is a right side elevational view thereof;  
 FIG. 4 is a left side elevational view thereof;  
 FIG. 5 is a rear elevational view thereof;  
 FIG. 6 is a bottom plan view thereof;  
 FIG. 7 is a top and right front perspective view thereof.

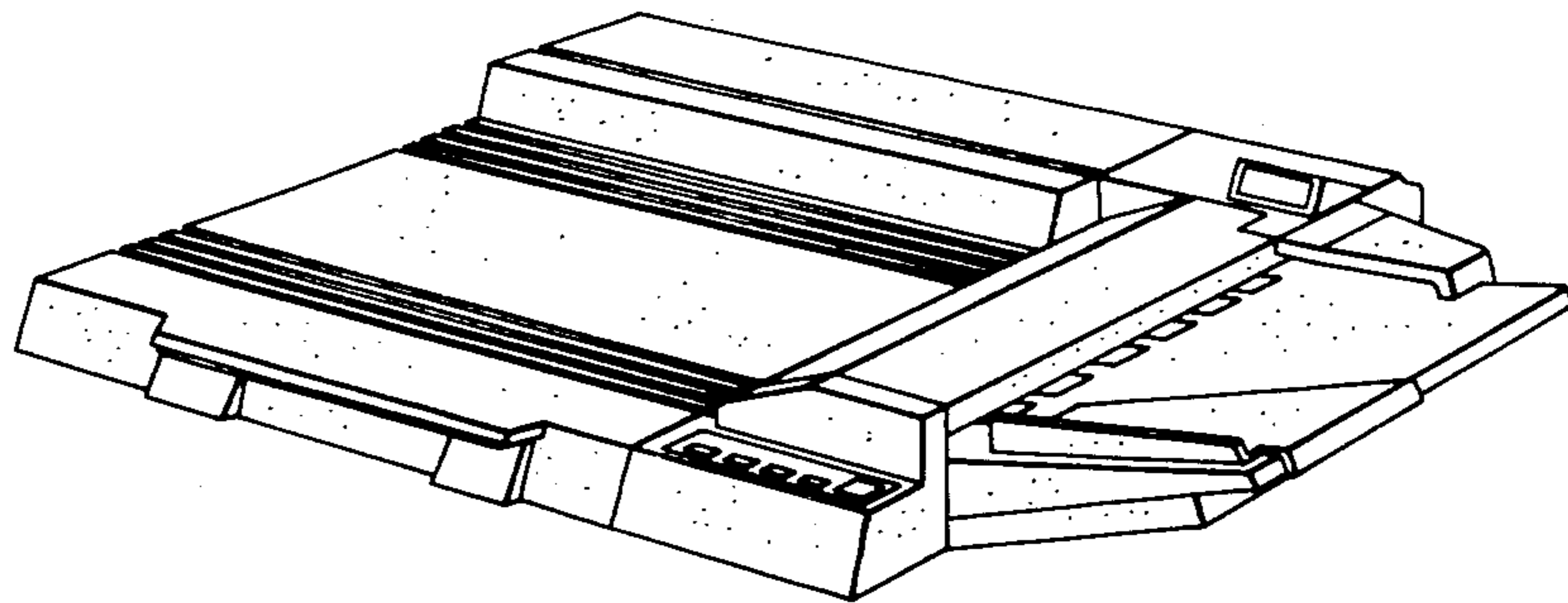


FIG. 1

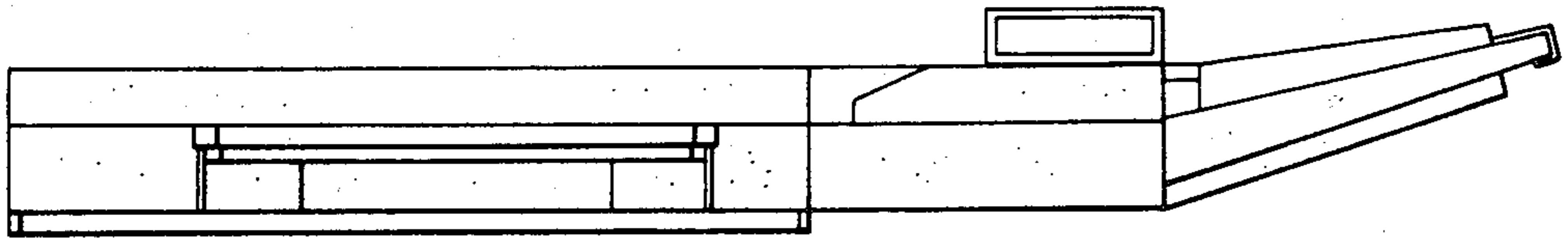


FIG. 2

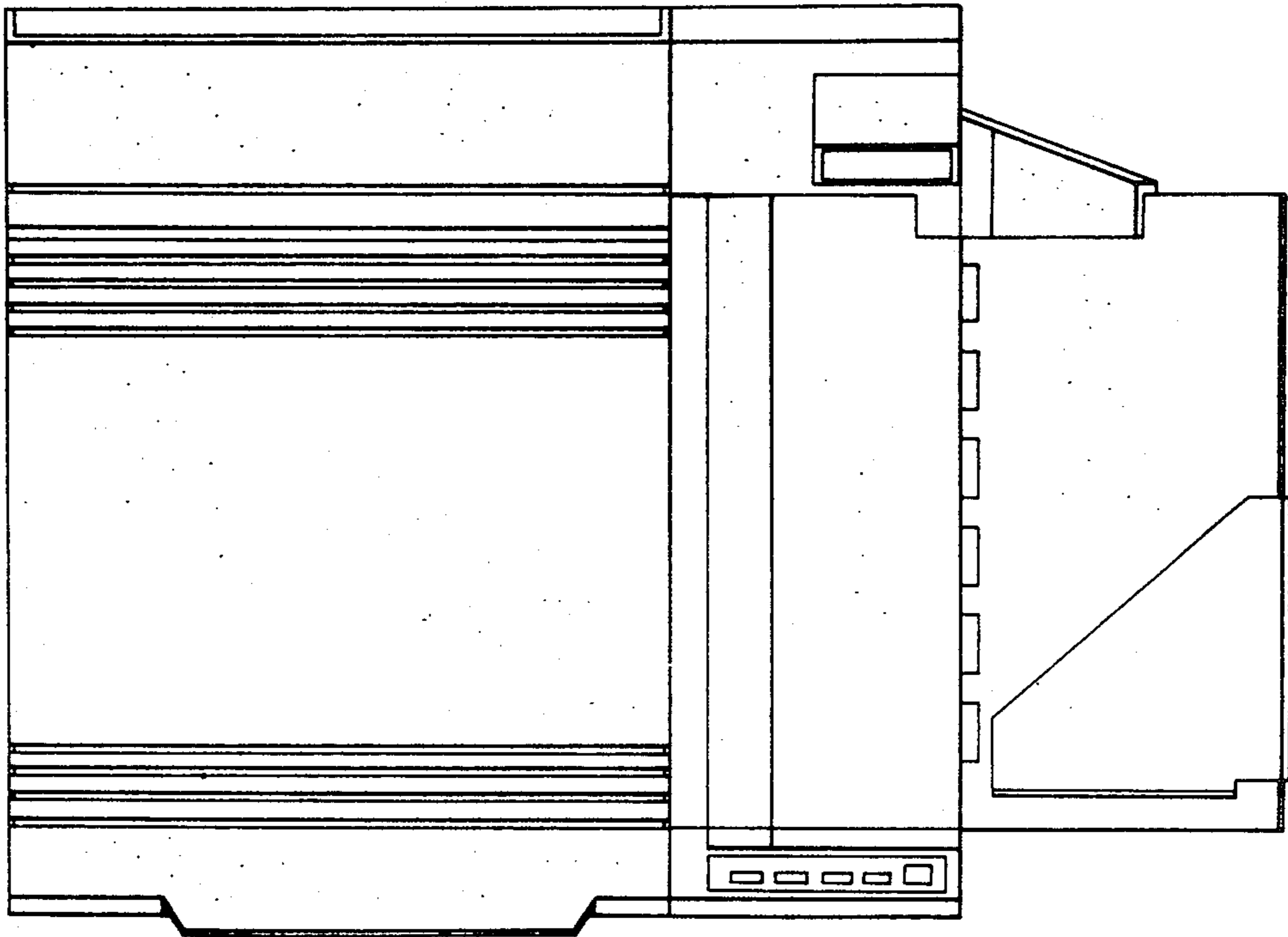


FIG. 3

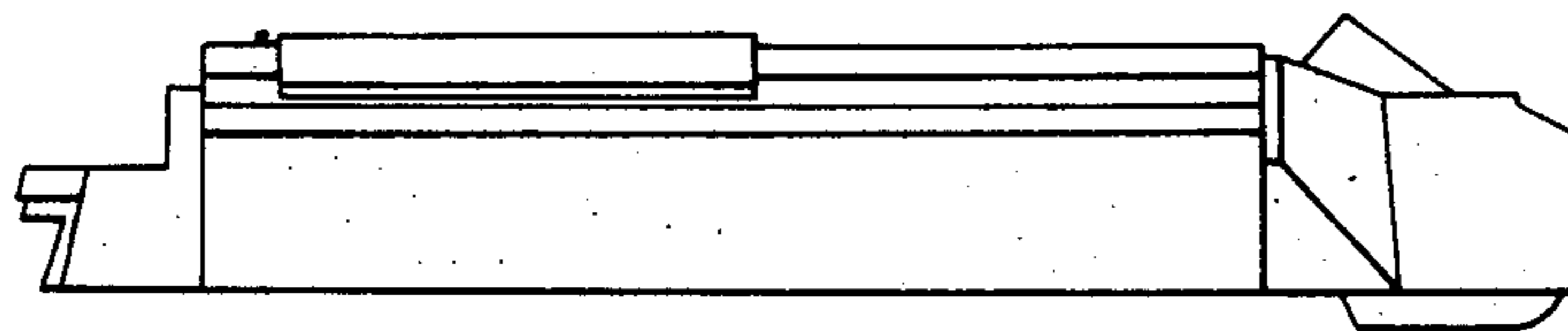


FIG. 4

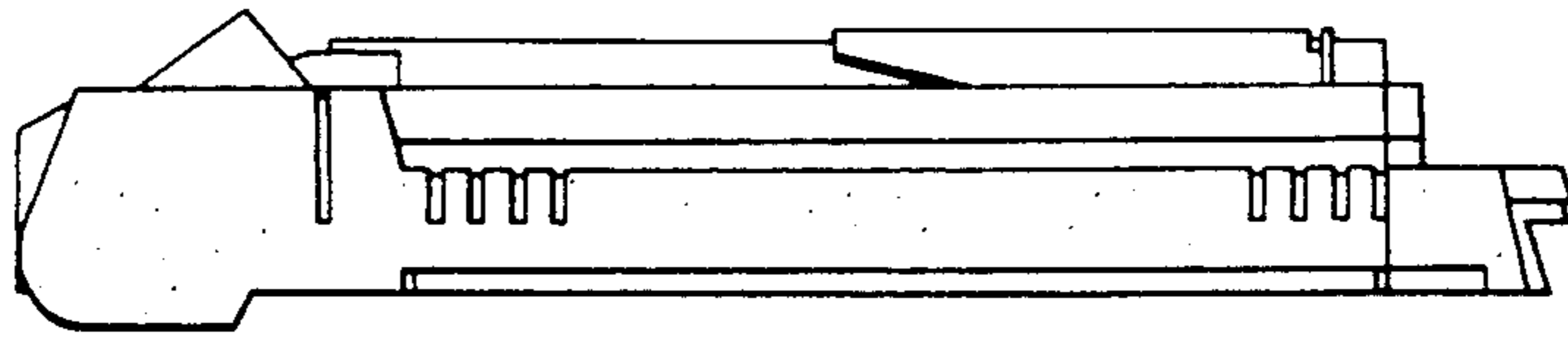


FIG. 5

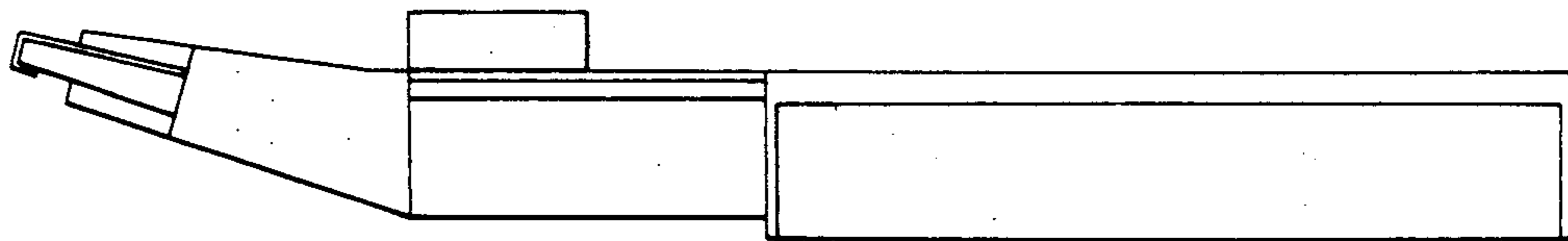


FIG. 6

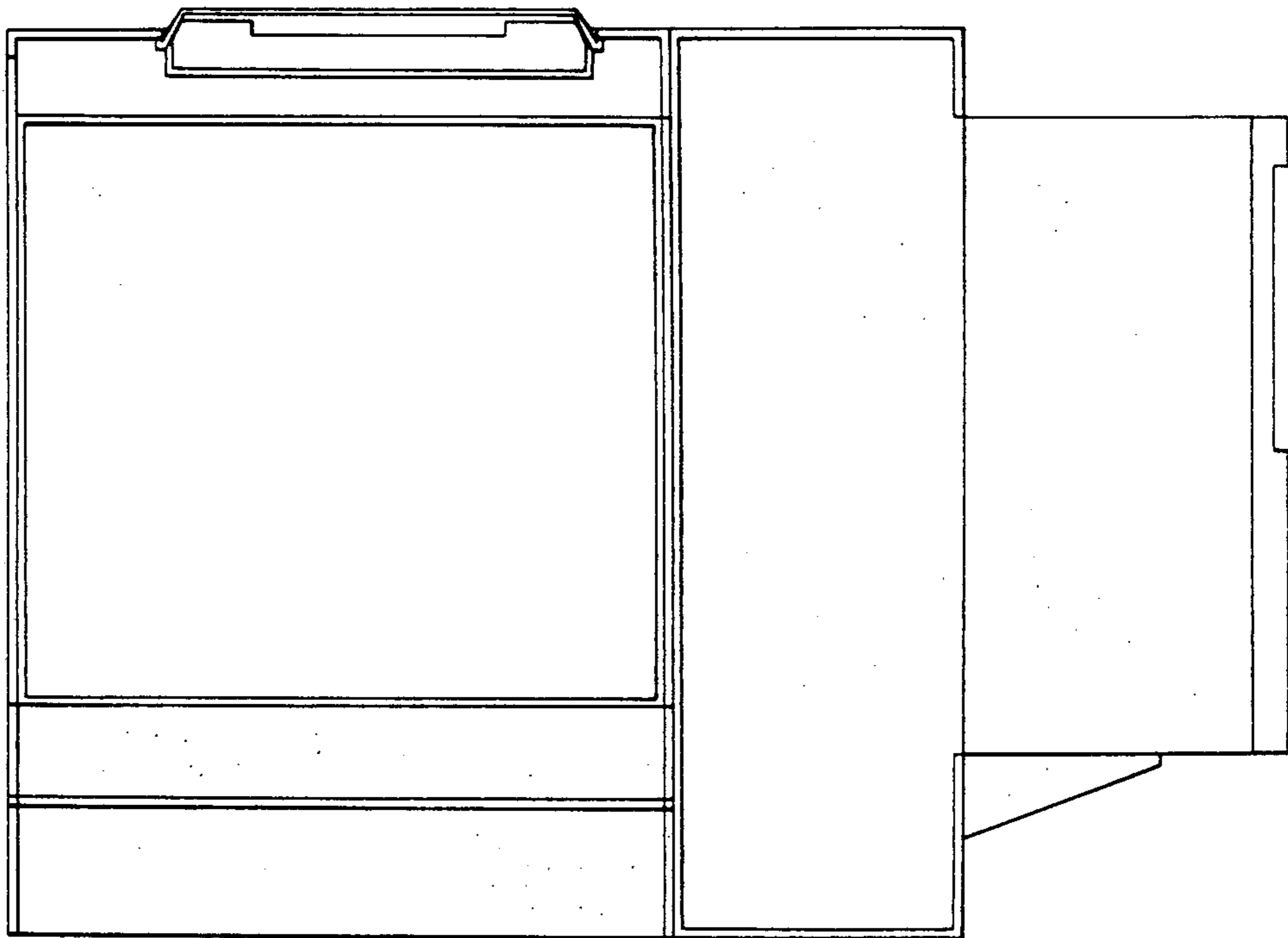


FIG. 7

