

# United States Patent [19]

Maitani et al.

[11] Patent Number: **Des. 283,624**

[45] Date of Patent: **\*\* Apr. 29, 1986**

[54] **MOTOR DRIVE FOR CAMERAS**

[75] Inventors: **Yoshihisa Maitani; Yasuo Hattori,**  
both of Hachioji, Japan

[73] Assignee: **Olympus Optical Co., Ltd.,** Japan

[\*\*] Term: **14 Years**

[21] Appl. No.: **516,318**

[22] Filed: **Jul. 22, 1983**

[30] **Foreign Application Priority Data**

Feb. 25, 1983 [JP] Japan ..... 58-7587

[52] U.S. Cl. .... **D16/10; D16/38**

[58] Field of Search ..... **D16/1-10,**  
**D16/38; 354/173.1, 173.11, 288, 295**

[56] **References Cited**

**U.S. PATENT DOCUMENTS**

- D. 201,158 5/1965 Wessels ..... D16/38
- D. 246,372 11/1977 Yoshino ..... D16/10
- D. 265,321 7/1982 Schreiber ..... D16/10

- 4,167,314 9/1979 Ichiyanagi ..... 354/173.11
- 4,294,530 10/1981 Iwashita ..... 354/173.11
- 4,367,937 1/1983 Mashimo ..... 354/173.11

*Primary Examiner*—Nelson C. Holtje  
*Attorney, Agent, or Firm*—Ostrolenk, Faber, Gerb & Soffen

[57] **CLAIM**

The ornamental design for a motor drive for cameras, as shown and described.

**DESCRIPTION**

FIG. 1 is a front and top right perspective view of a motor drive for cameras showing our new design;  
FIG. 2 is a rear and bottom-left perspective view thereof;  
FIG. 3 is a front elevational view thereof;  
FIG. 4 is a right side elevational view thereof;  
FIG. 5 is a rear elevational view thereof;  
FIG. 6 is a left side elevational view thereof;  
FIG. 7 is a top plan view thereof;  
FIG. 8 is a bottom plan view thereof.

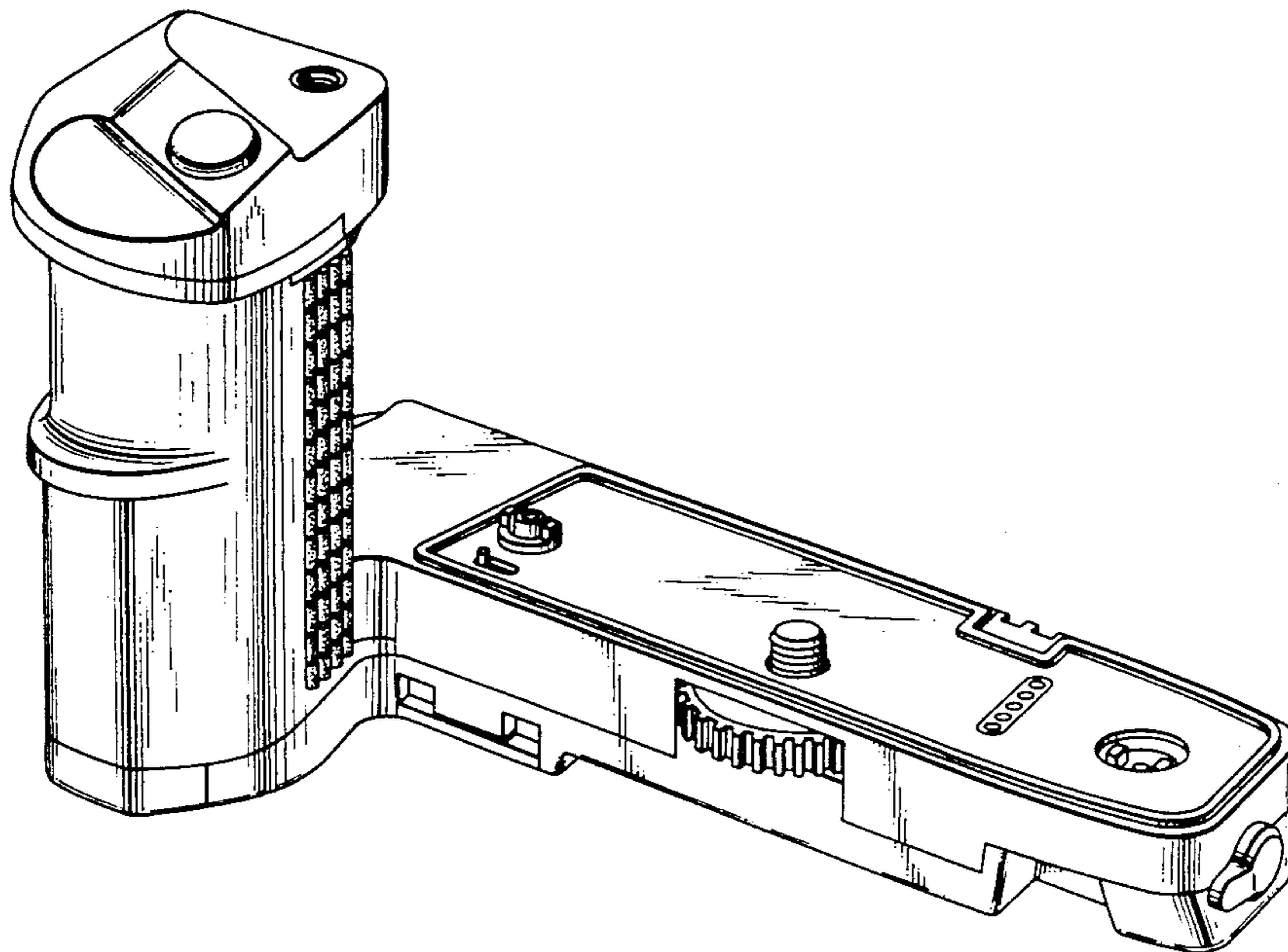


FIG. 1

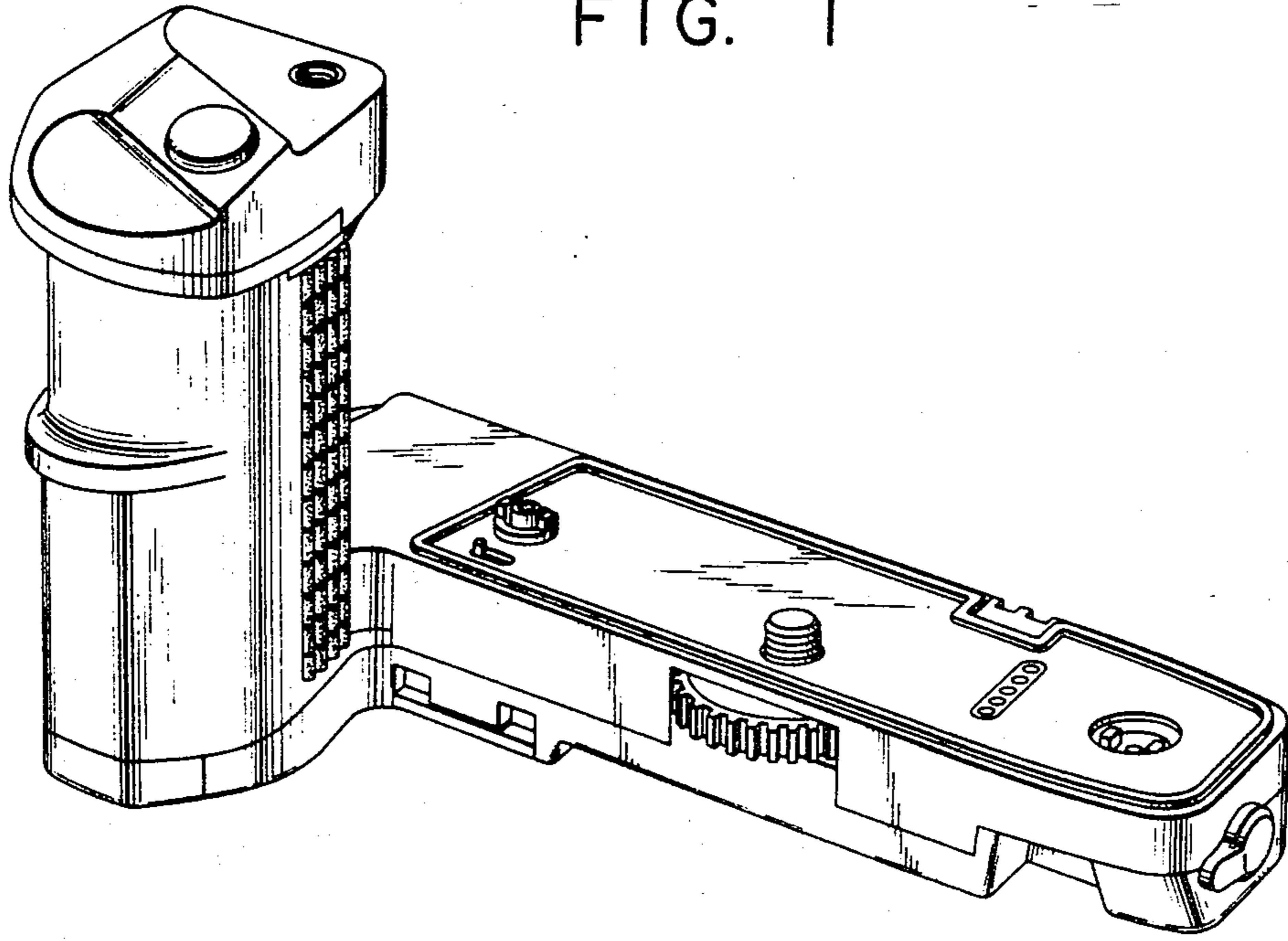


FIG. 2

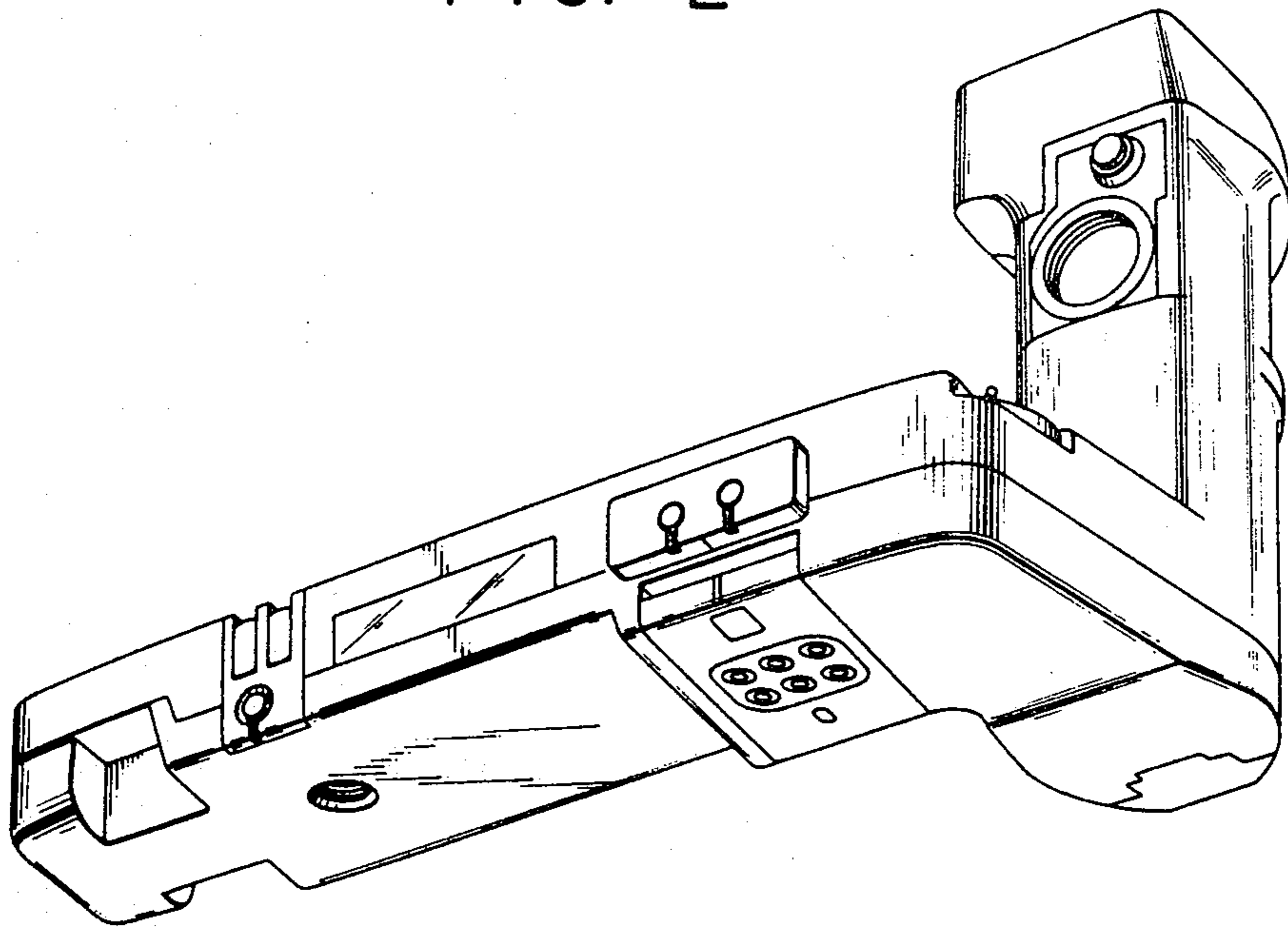


FIG. 4

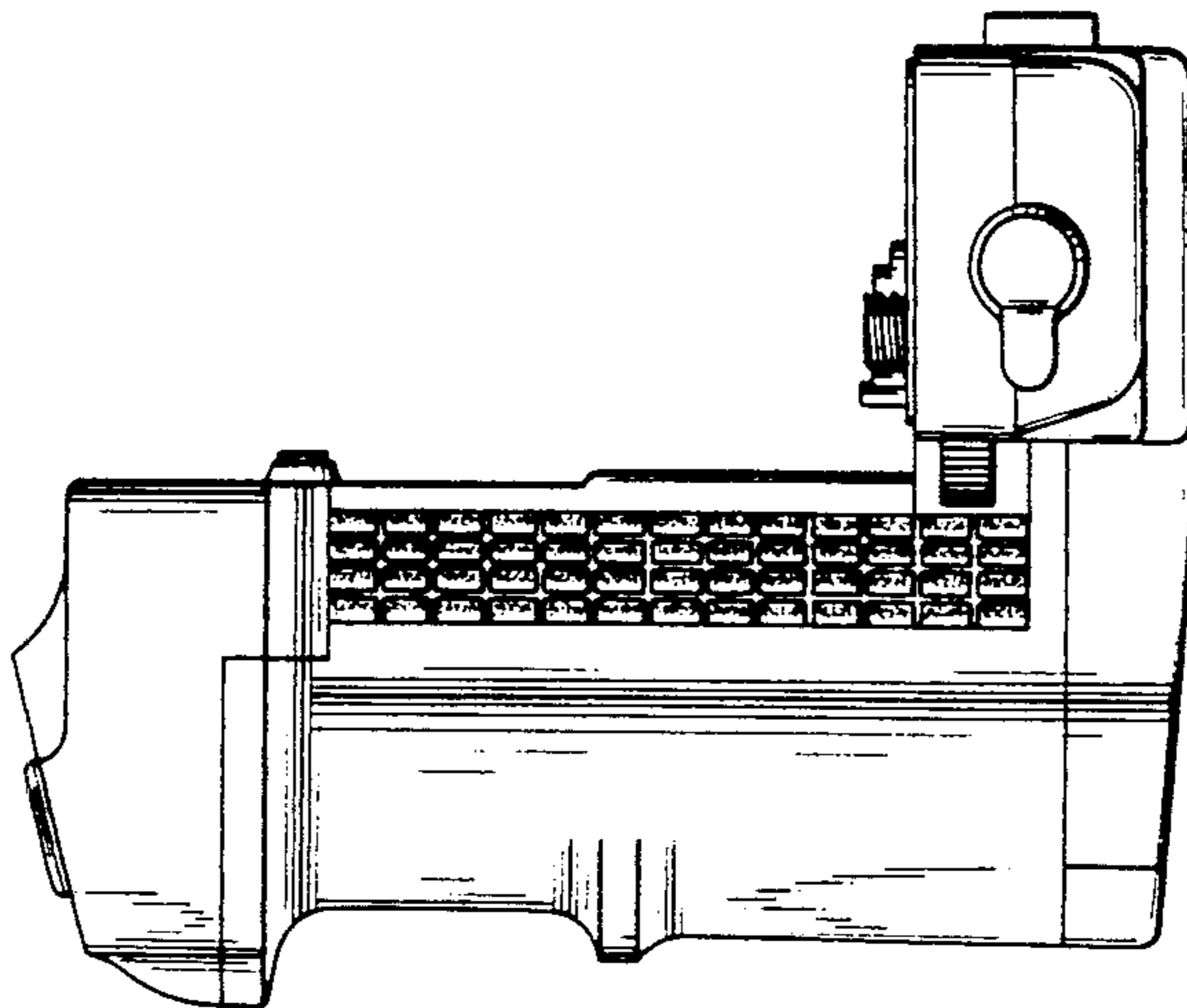


FIG. 3

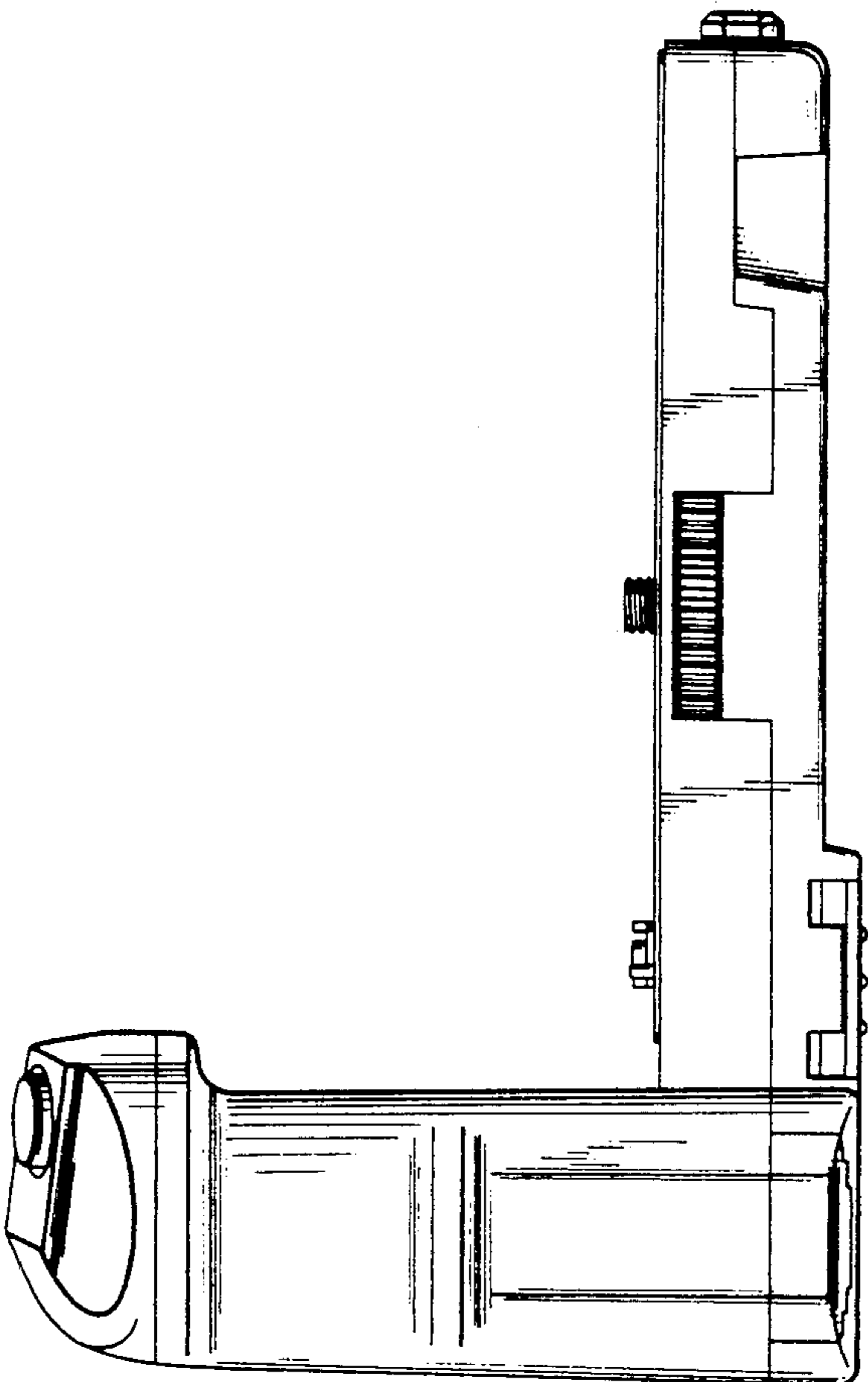


FIG. 6

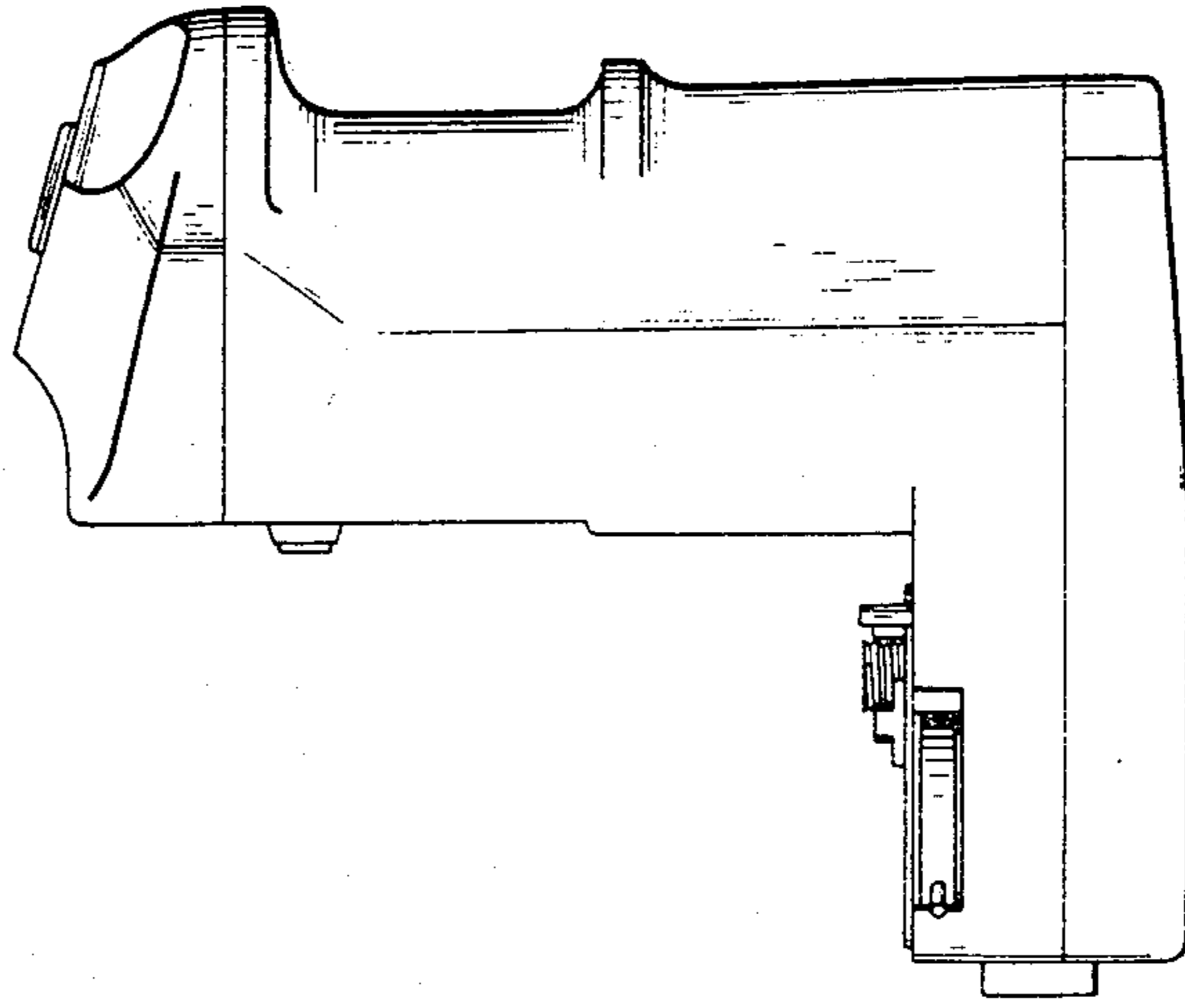


FIG. 5

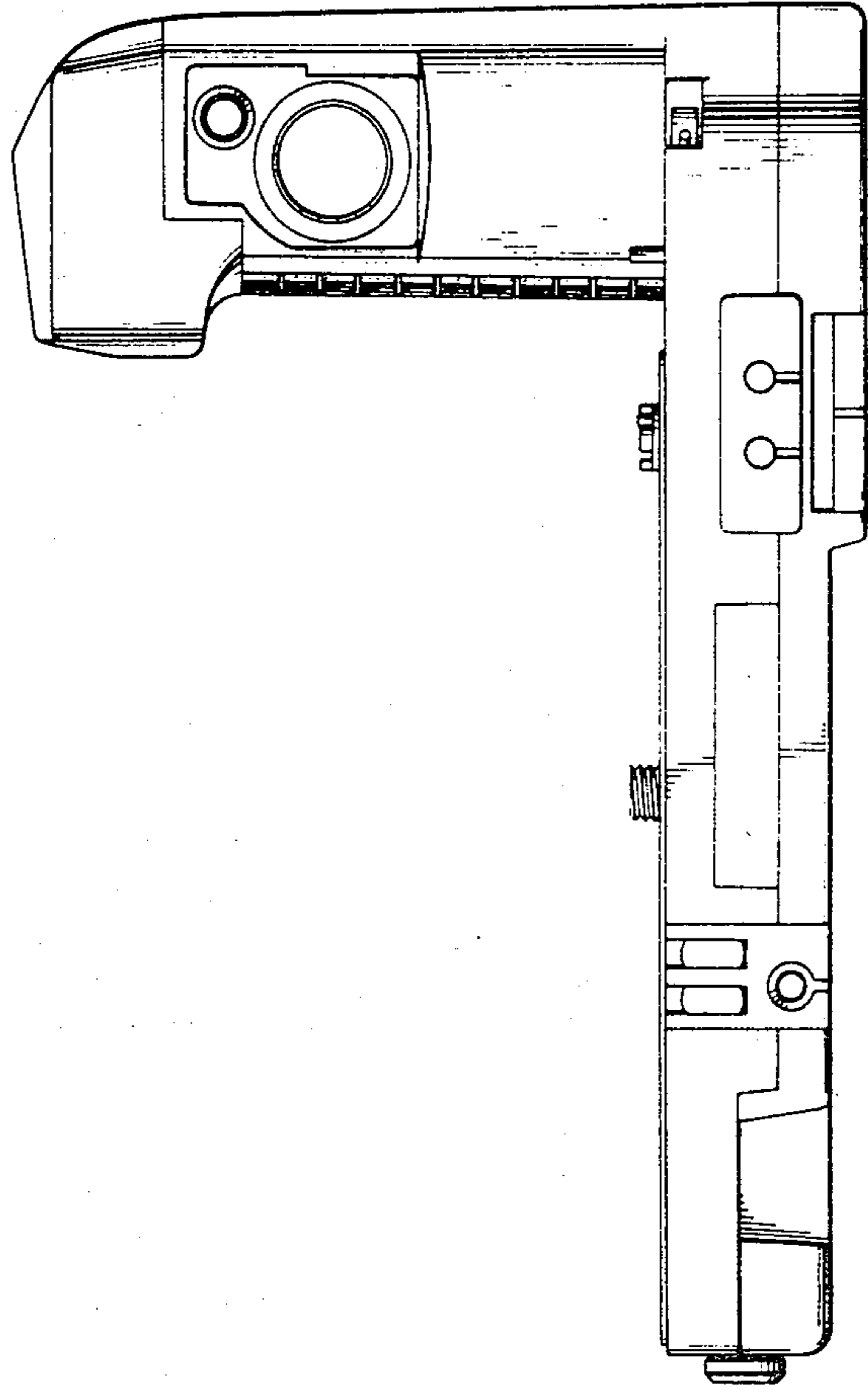


FIG. 7

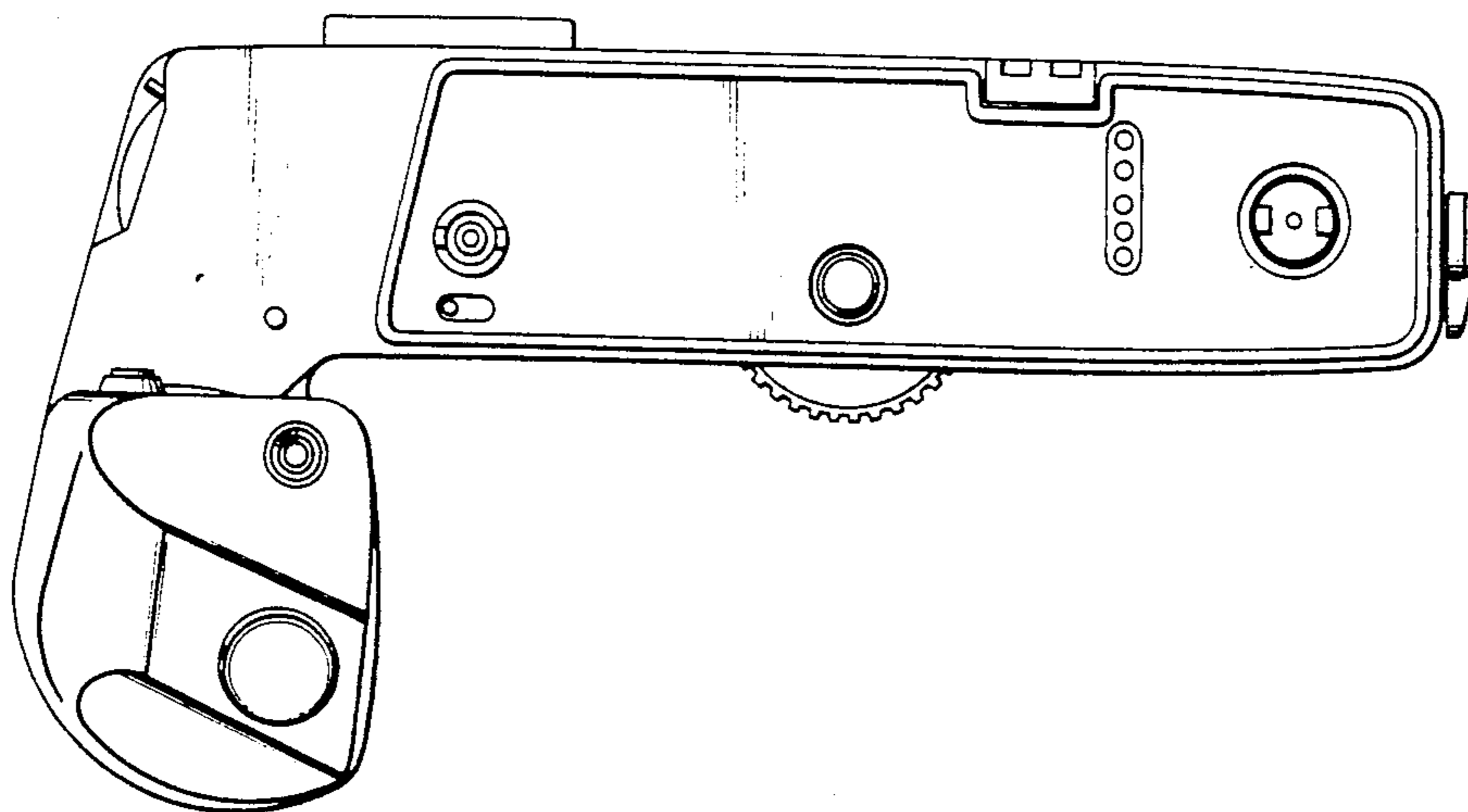


FIG. 8

