

[54] HOUSING FOR AUTOMATIC METAL CAN RECYCLING APPARATUS

[75] Inventors: Kenneth D. Crosby, Carefree; William J. Tuten, Scottsdale, both of Ariz.

[73] Assignee: Creative Technology, Inc., Scottsdale, Ariz.

[\*\*] Term: 14 Years

[21] Appl. No.: 485,412

[22] Filed: Apr. 15, 1983

[52] U.S. Cl. .... D15/123; D9/369; D25/4; D25/10

[58] Field of Search ..... D15/123, 199; D25/4, D25/7, 10, 16, 33; 220/1 BC, 1 S; 286/145, 162; 52/DIG. 14; 100/49, 53, 99, 902; 194/4 C; D9/369

[56] References Cited

U.S. PATENT DOCUMENTS

D. 235,059	5/1975	Turner .....	D25/33
D. 249,045	8/1978	Miller .....	D15/123
D. 268,054	2/1983	Charette .....	D25/4
3,785,484	1/1974	Cunningham .....	206/145
4,345,679	8/1982	De Woolfson .....	194/4 C
4,463,844	8/1984	Huffman et al. ....	194/4 C
4,472,819	9/1984	Constantino .....	194/4 C
4,492,295	1/1985	De Woolfson .....	194/4 C

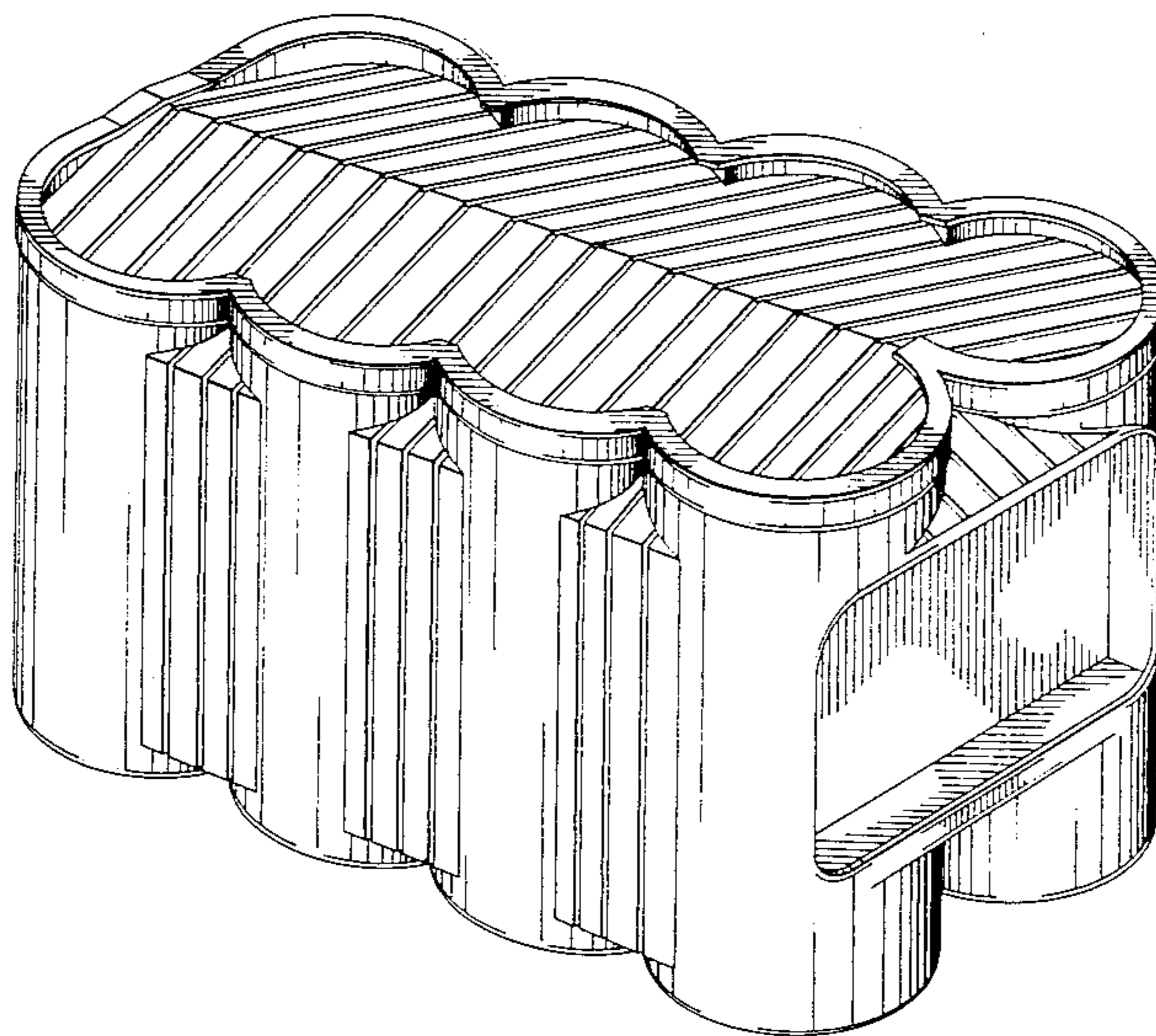
Primary Examiner—B. J. Bullock  
Attorney, Agent, or Firm—Harry M. Weiss & Associates

[57] CLAIM

The ornamental design for a housing for automatic metal can recycling apparatus, as shown.

DESCRIPTION

FIG. 1 is a perspective view of the housing for automatic metal can recycling apparatus showing our new design;  
FIG. 2 is a reduced rear elevational view thereof;  
FIG. 3 is a reduced front elevational view thereof;  
FIG. 4 is a left side elevational view thereof;  
FIG. 5 is a bottom plan view thereof.



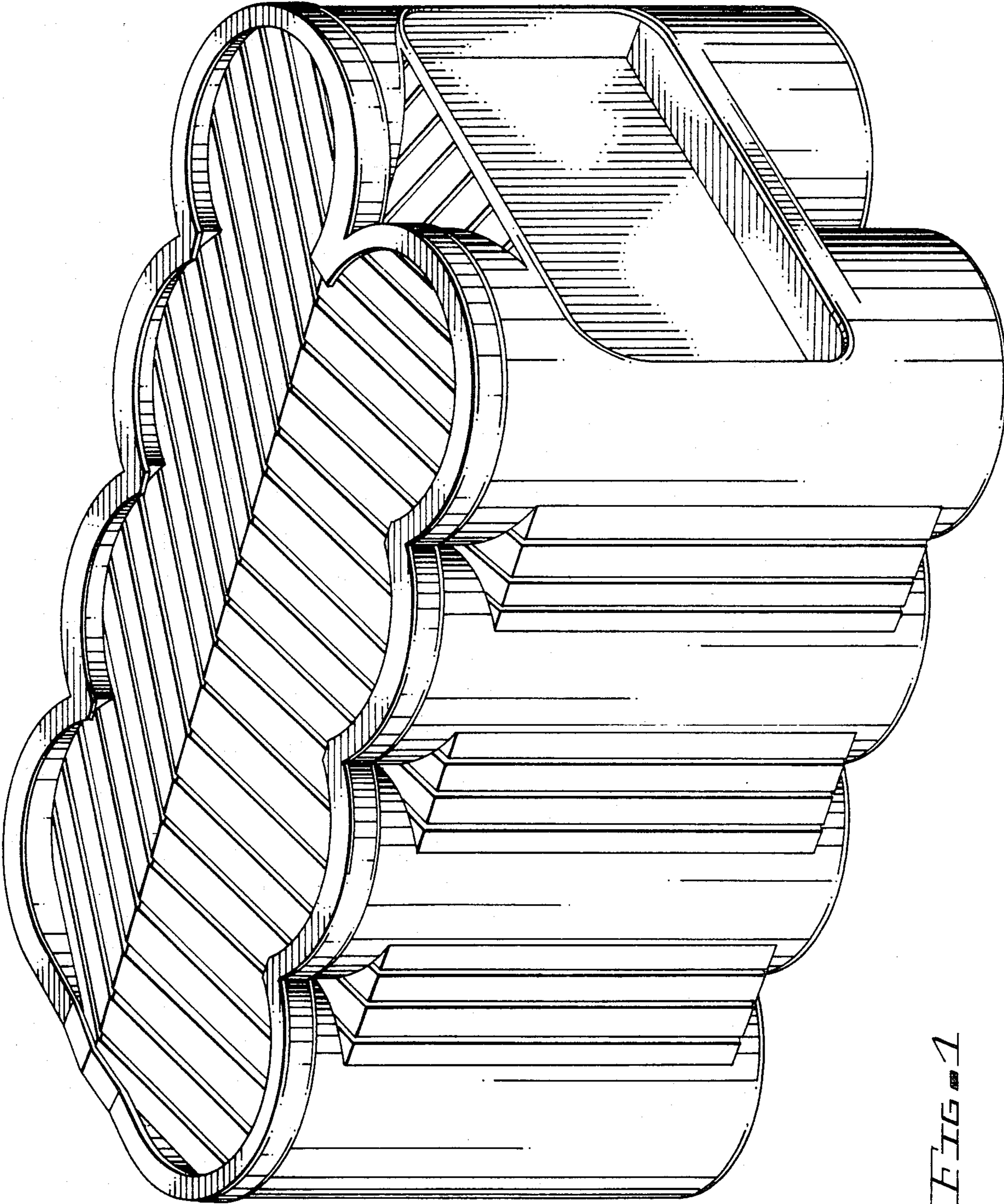


FIG. 1

FIG. 2

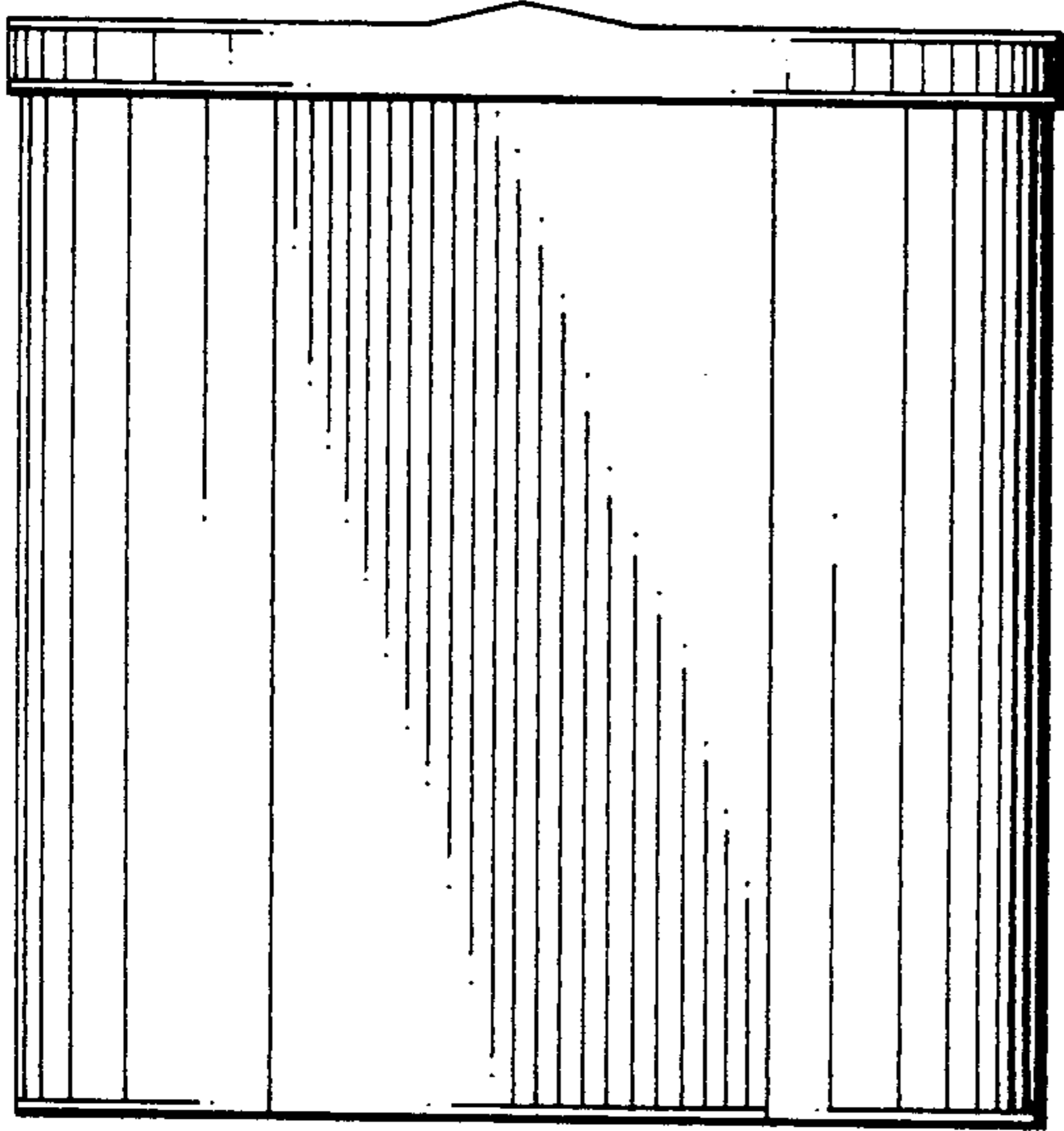


FIG. 3

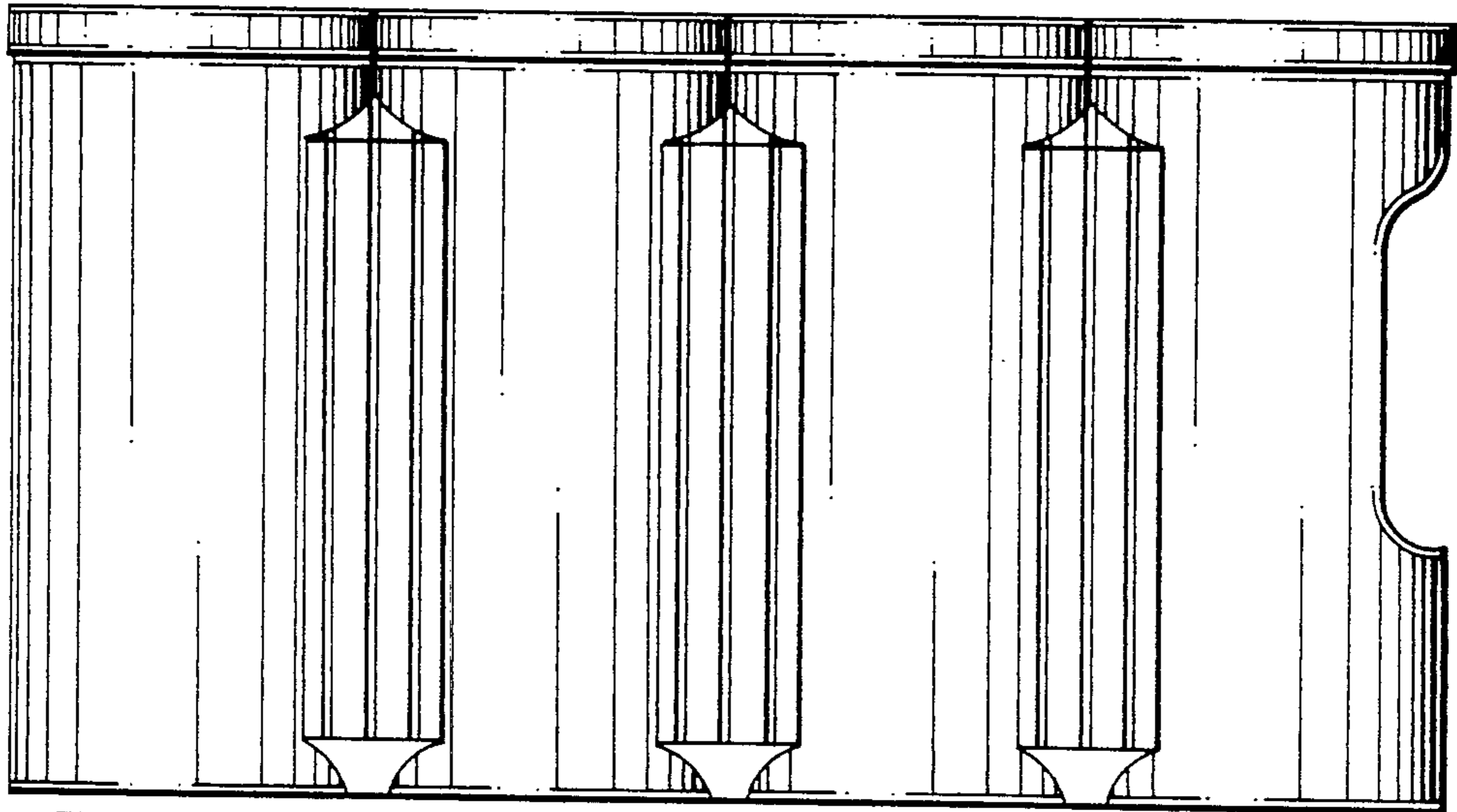
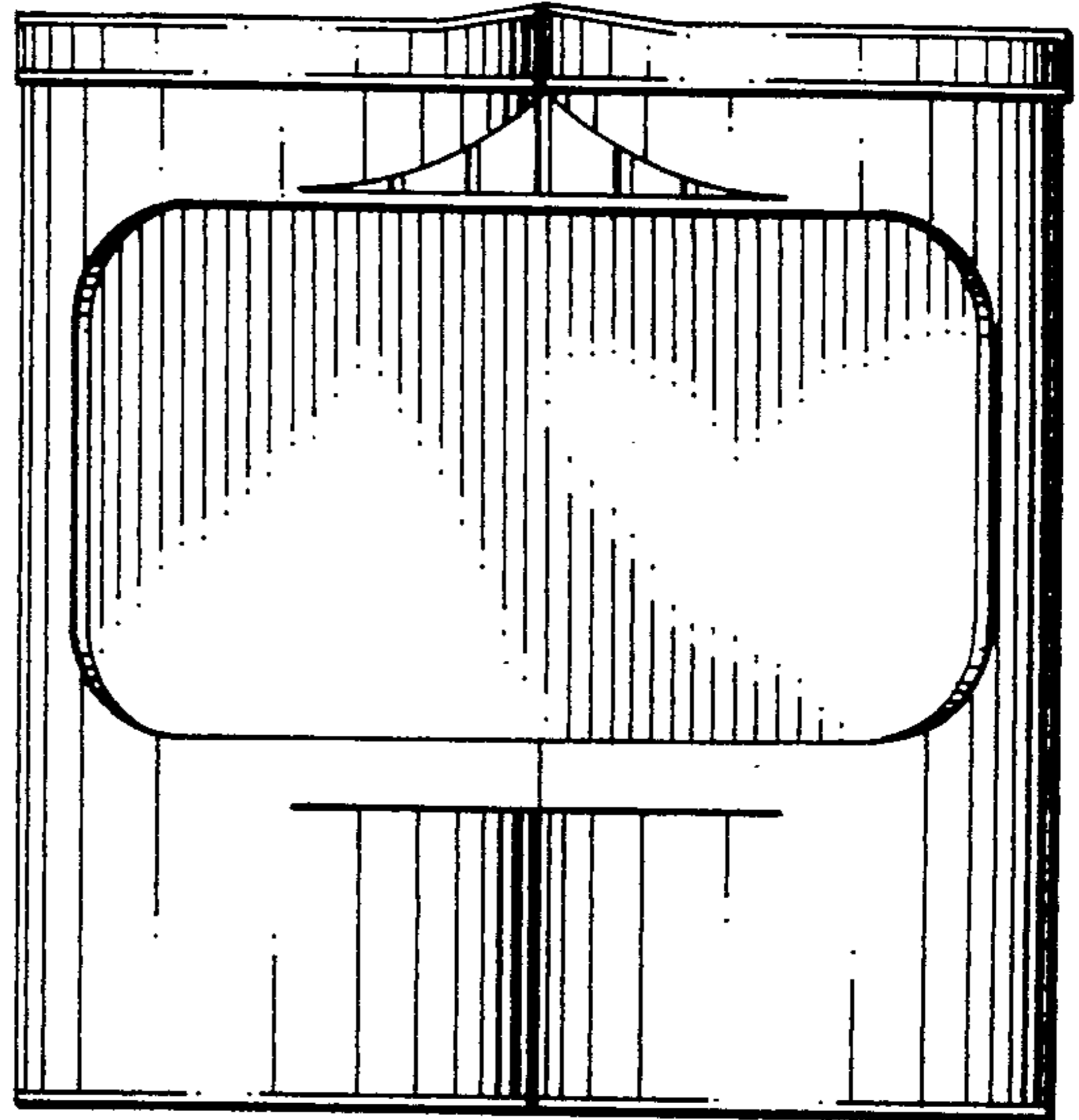


FIG. 4

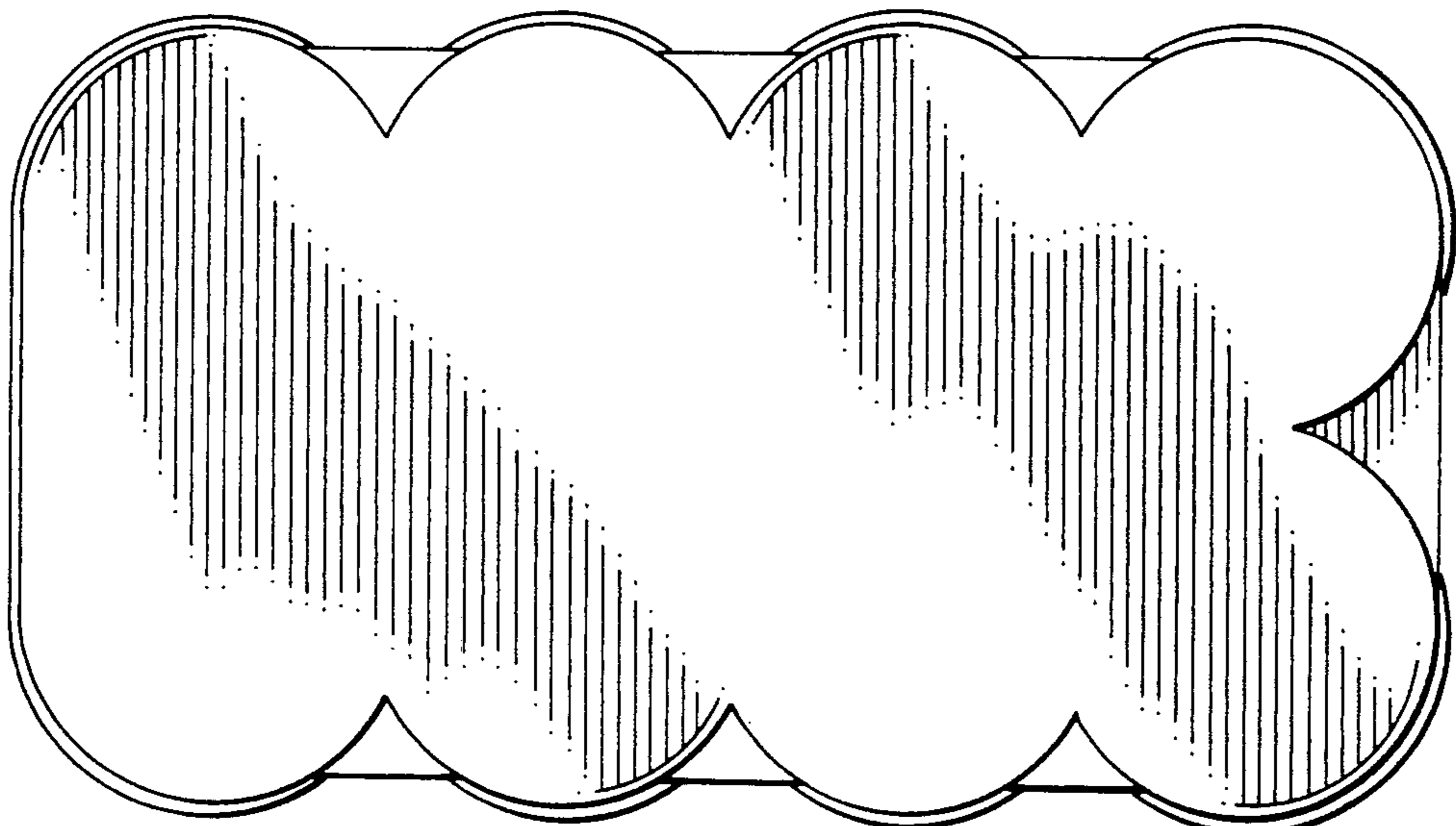


FIG. 5