

# United States Patent [19]

Gauer et al.

[11] Patent Number: **Des. 283,621**

[45] Date of Patent: **\*\* Apr. 29, 1986**

[54] **AIR CLEANER**

[75] Inventors: **Daniel S. Gauer, Apple Valley;  
Steven M. Alseth, Bloomington;  
Bruce M. Sullivan, Burnsville, all of  
Minn.**

[73] Assignee: **Donaldson Company, Inc.,  
Minneapolis, Minn.**

[\*\*] Term: **14 Years**

[21] Appl. No.: **431,168**

[22] Filed: **Sep. 30, 1982**

[52] U.S. Cl. .... **D15/5**

[58] Field of Search ..... **D15/5; 55/323, 332,  
55/336, 344, 418; 181/229**

[56] **References Cited**

### U.S. PATENT DOCUMENTS

D. 165,332	12/1951	Heyer et al. ....	D18/14
D. 225,184	11/1972	Spies .....	D15/5
2,083,649	6/1937	Heglar .....	55/323
2,626,009	1/1953	Sebok et al. ....	181/229

2,963,111	12/1960	Rohrbacher .....	181/229
3,339,347	9/1967	Otto, Jr. ....	55/418
3,672,130	6/1972	Sullivan et al. ....	55/323

*Primary Examiner*—Wallace R. Burke  
*Assistant Examiner*—Lynn Wilder  
*Attorney, Agent, or Firm*—Merchant, Gould, Smith,  
Edell, Welter & Schmidt

### [57] CLAIM

The ornamental design for an air cleaner, substantially as shown and described.

### DESCRIPTION

FIG. 1 is a perspective view of an air cleaner showing our new design;

FIG. 2 is a side elevational view showing one end thereof;

FIG. 3 is a view like FIG. 2, showing the other end thereof;

FIG. 4 is a top plan view thereof;

FIG. 5 is a side elevational view thereof;

FIG. 6 is a view like FIG. 5 showing the other side thereof.

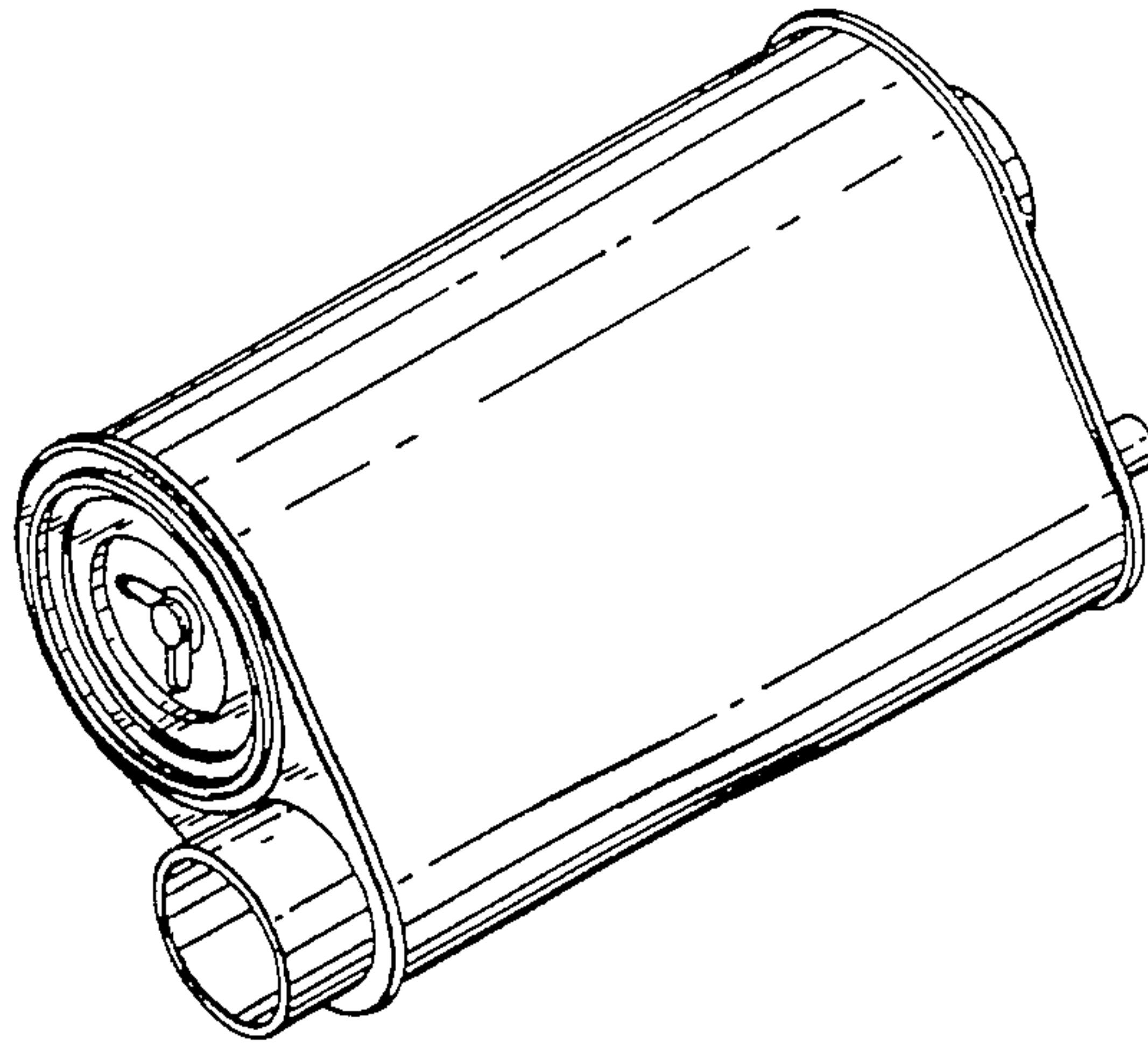


FIG. 1

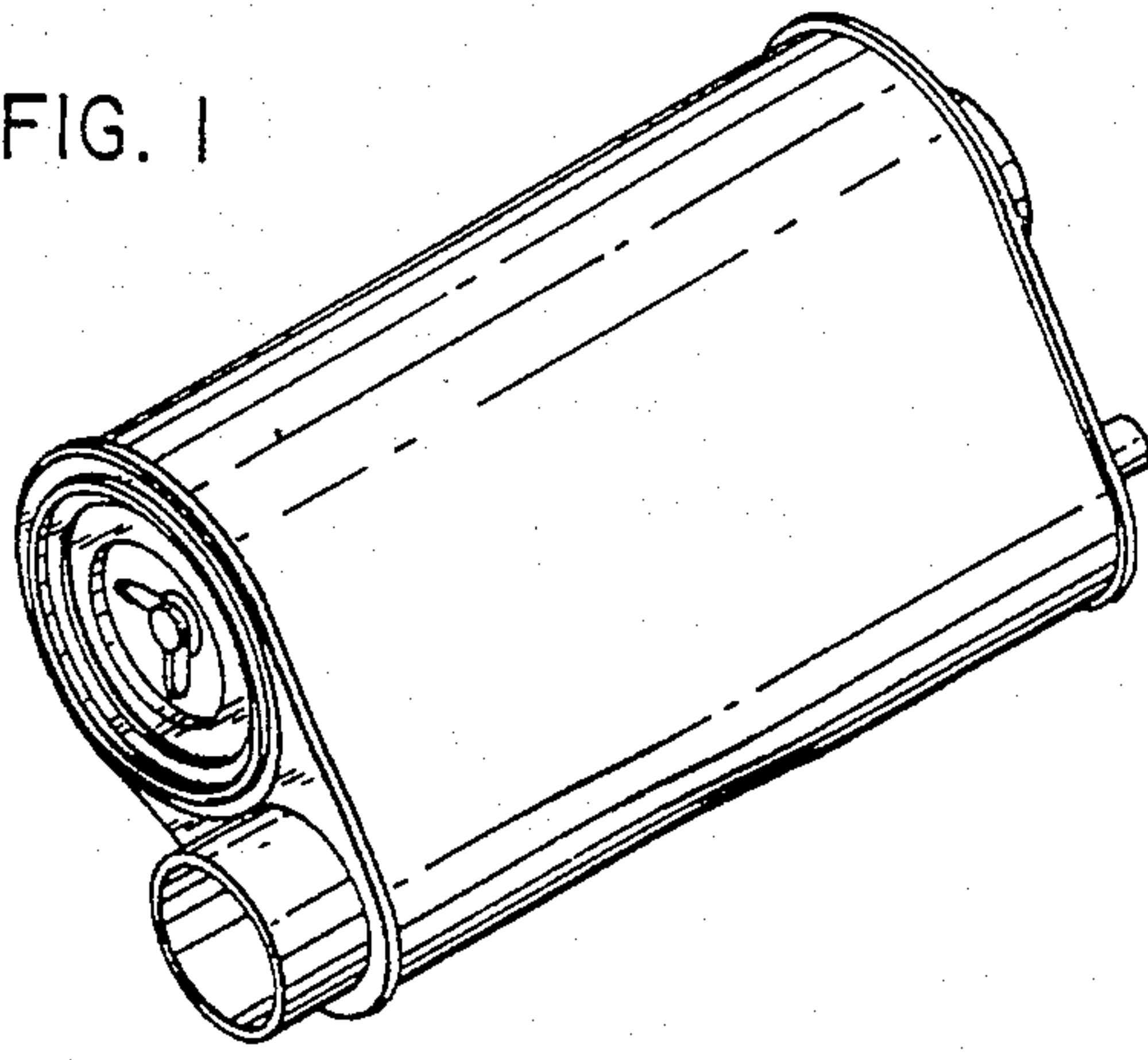


FIG. 2

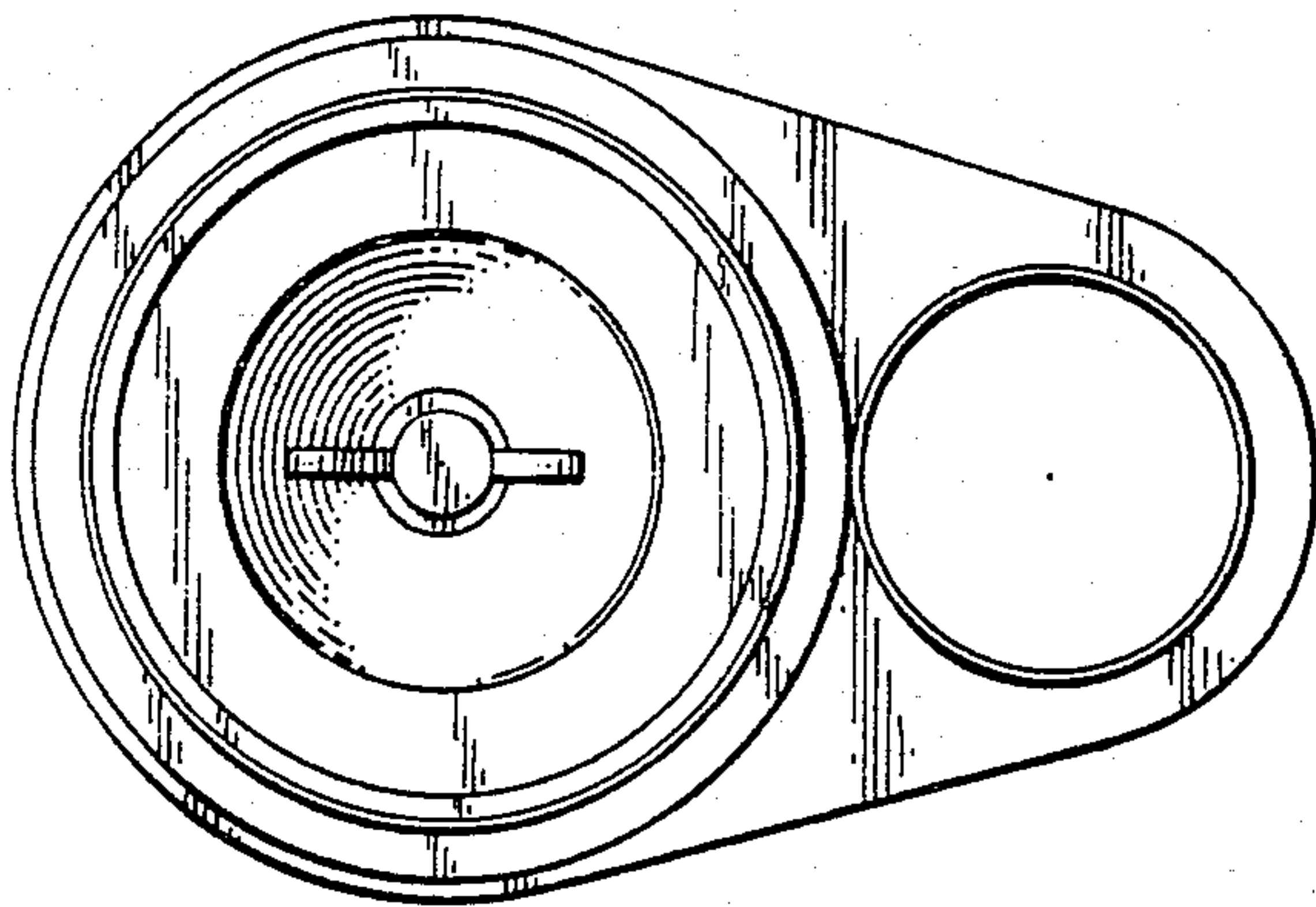
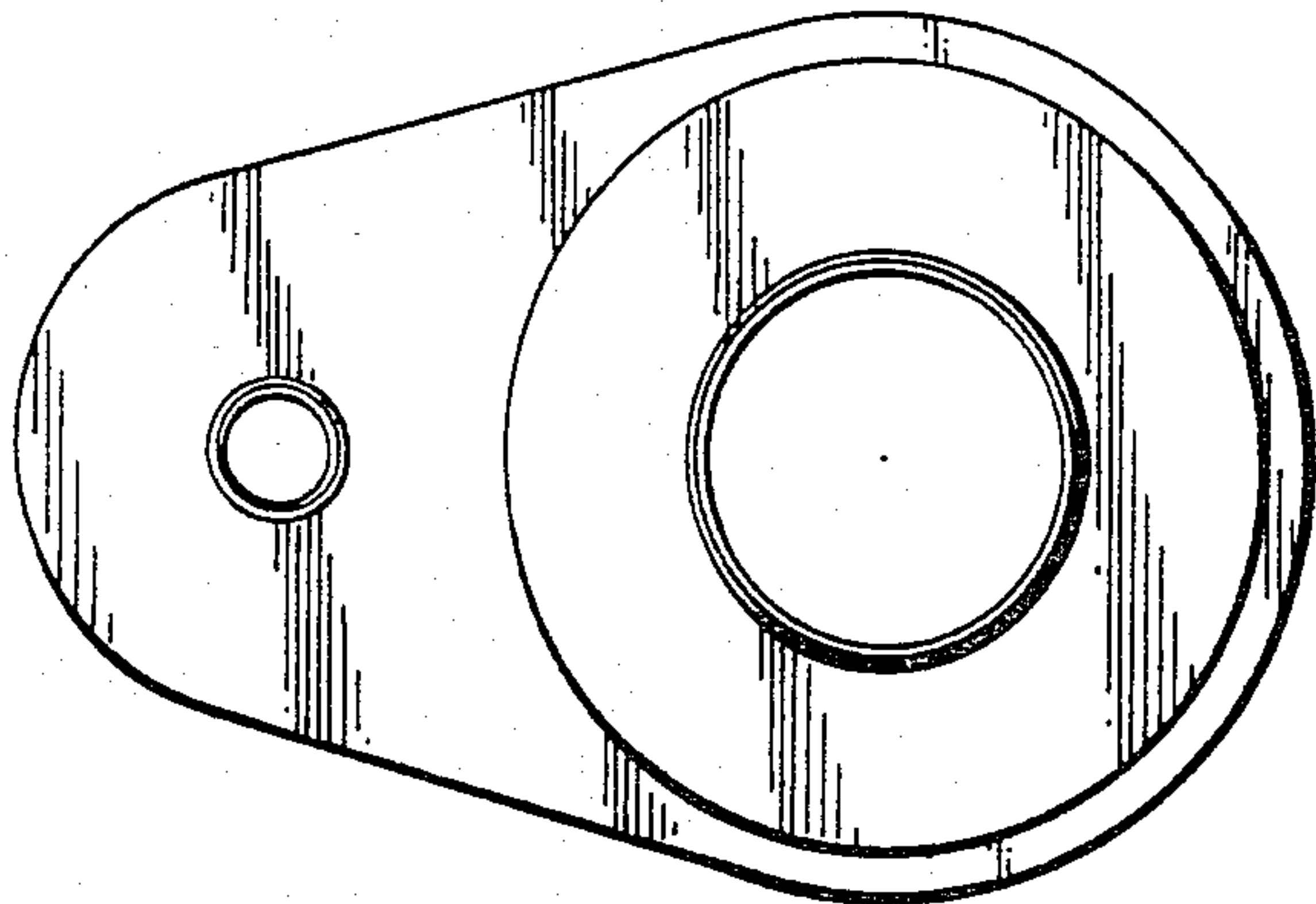


FIG. 3



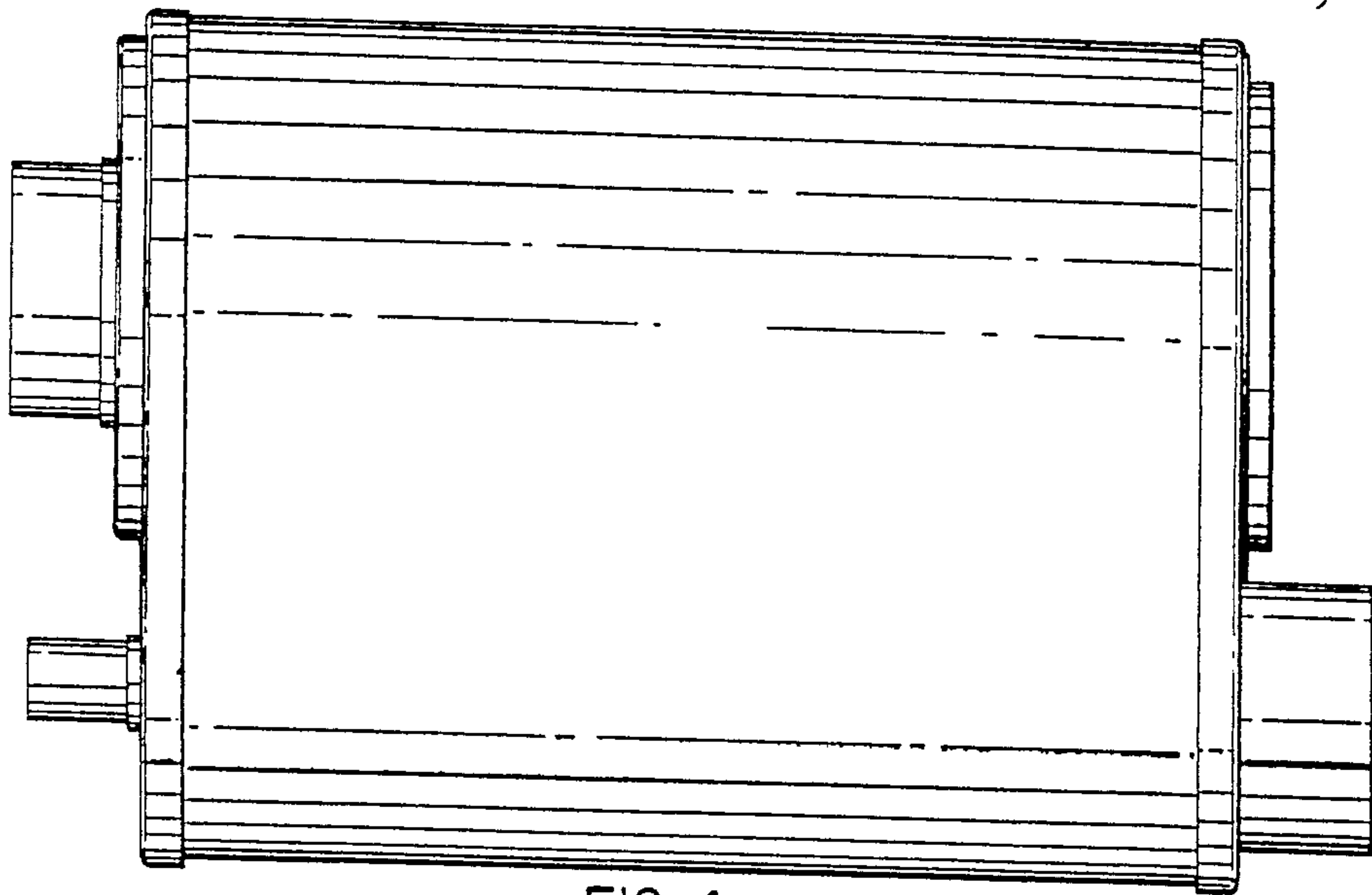


FIG. 4

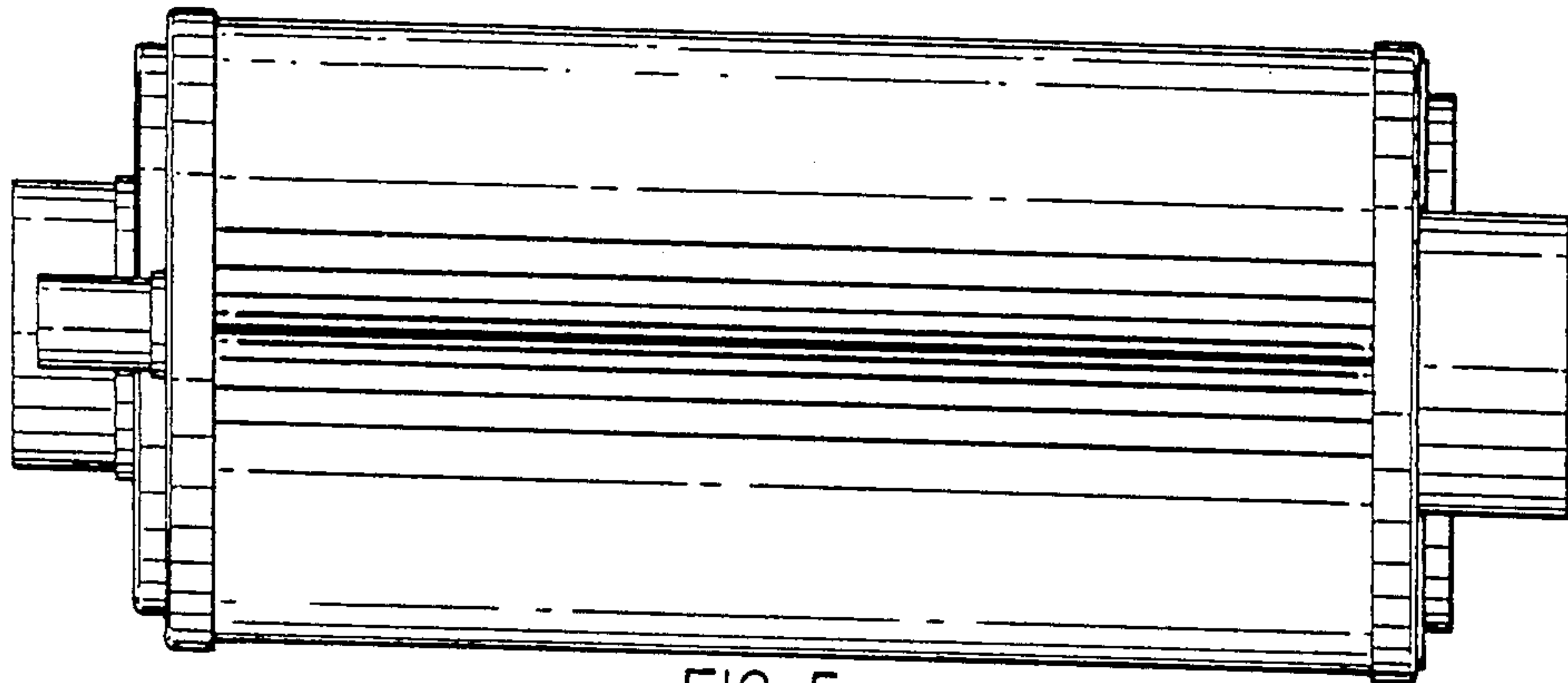


FIG. 5

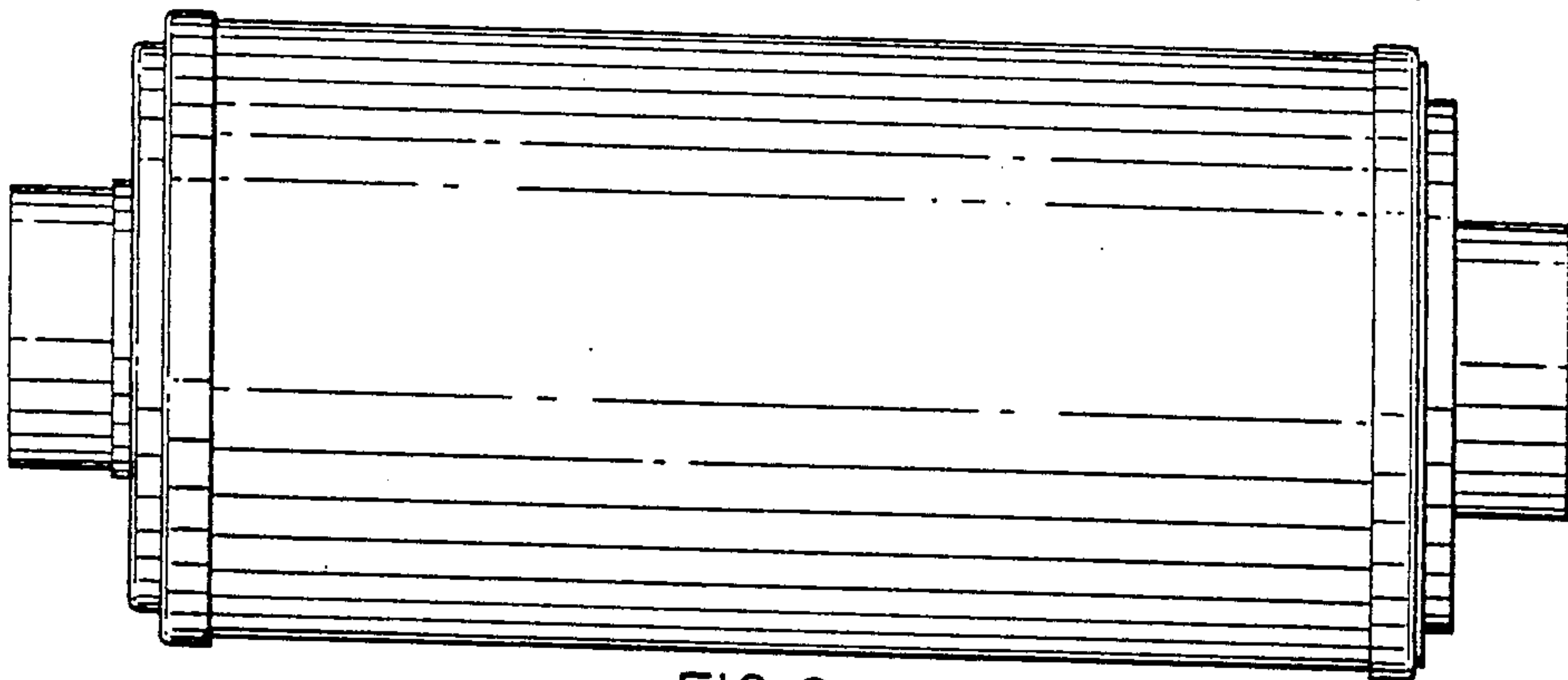


FIG. 6