

# United States Patent [19]

Garrard

[11] Patent Number: **Des. 283,619**

[45] Date of Patent: **\*\* Apr. 29, 1986**

[54] **TELEPHONE INSTRUMENT BASE**

[75] Inventor: **Clive W. Garrard, Foxton, England**

[73] Assignee: **British Telecommunications, London, England**

[\*\*] Term: **14 Years**

[21] Appl. No.: **556,554**

[22] Filed: **Nov. 30, 1983**

[30] **Foreign Application Priority Data**

Jun. 22, 1983 [GB] United Kingdom ..... 1013707

[52] U.S. Cl. .... **D14/61; D14/60; D14/65; D14/56**

[58] Field of Search ..... **D14/52, 59, 60, 56, D14/61, 65; 179/179, 146 R, 147, 100 C, 100 R, 101; D6/553, 567**

[56] **References Cited**

**U.S. PATENT DOCUMENTS**

- D. 56,565 11/1920 Pondelicek ..... 248/309.1
- D. 82,505 11/1930 King et al. .... D14/61
- D. 85,107 9/1931 Lum ..... D14/61
- D. 211,739 7/1968 Dreyfuss et al. .... D14/62
- D. 229,836 1/1974 Wollet ..... D14/61
- D. 230,992 3/1974 Morgan ..... D14/65

- D. 236,213 8/1975 Paterson ..... D14/65
- 853,118 5/1967 Richey ..... 248/309.1
- 1,664,106 3/1928 Fisher ..... 248/309.1
- 3,391,889 7/1968 Stewart, Jr. .... 248/176
- 4,087,650 2/1978 Tucker ..... 179/100 D

**FOREIGN PATENT DOCUMENTS**

- 714069 8/1931 France ..... 179/146
- 803668 7/1936 France ..... 179/146

**OTHER PUBLICATIONS**

Greyhound Gift House Catalog ©1974; Acrylic Telephone Caddy #3931, at page 30.

*Primary Examiner*—Wallace R. Burke

*Assistant Examiner*—Horace B. Fay

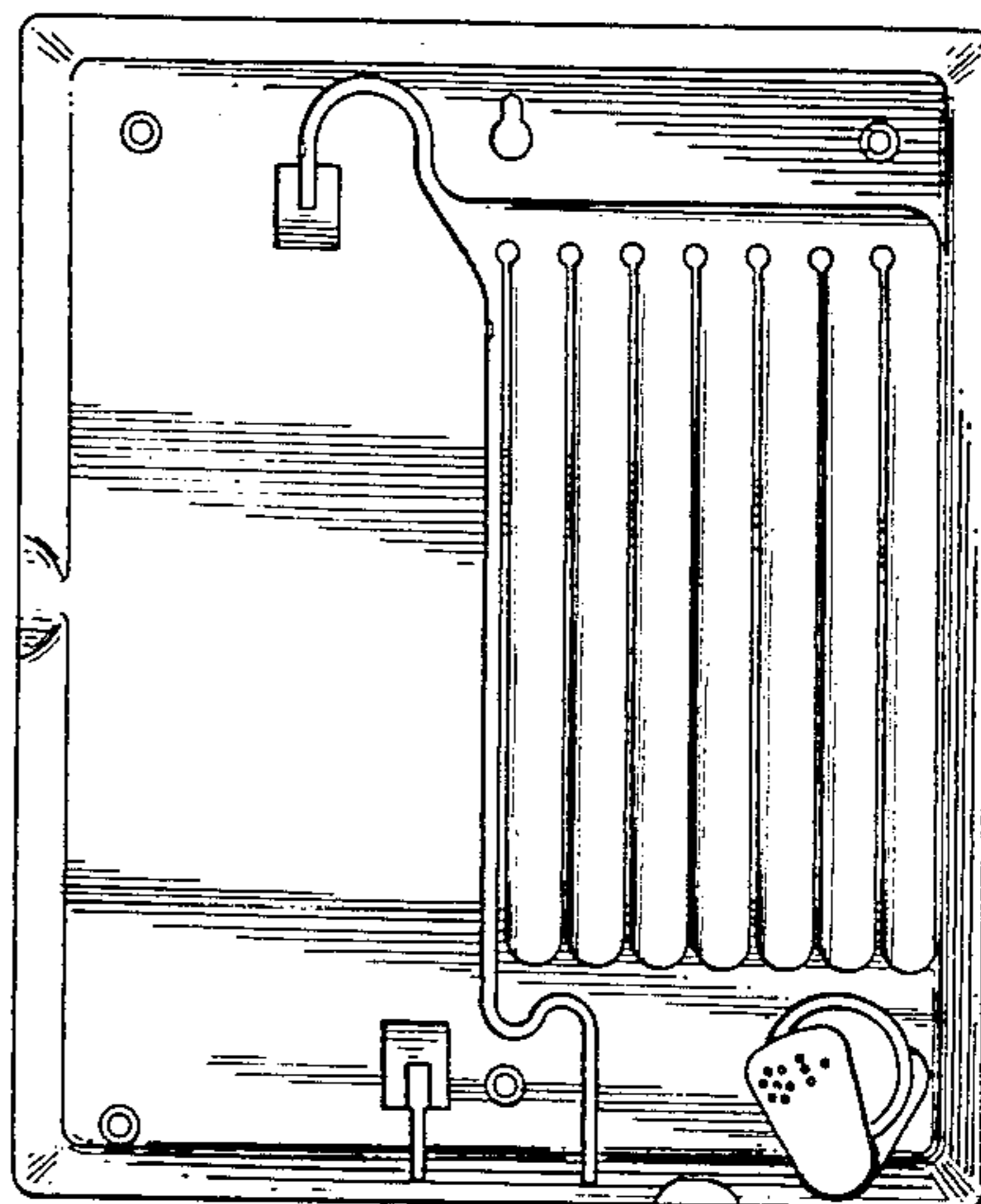
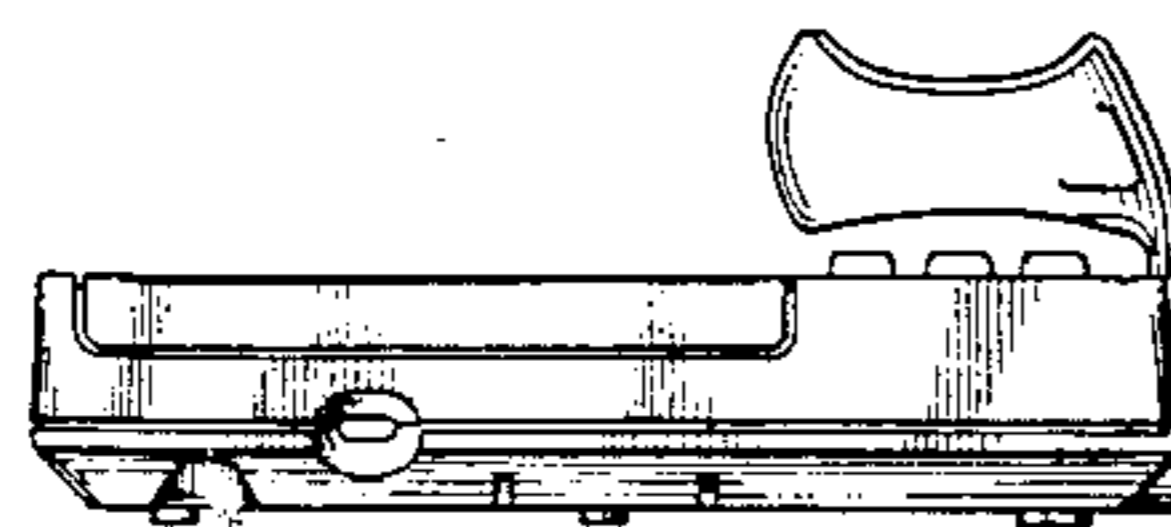
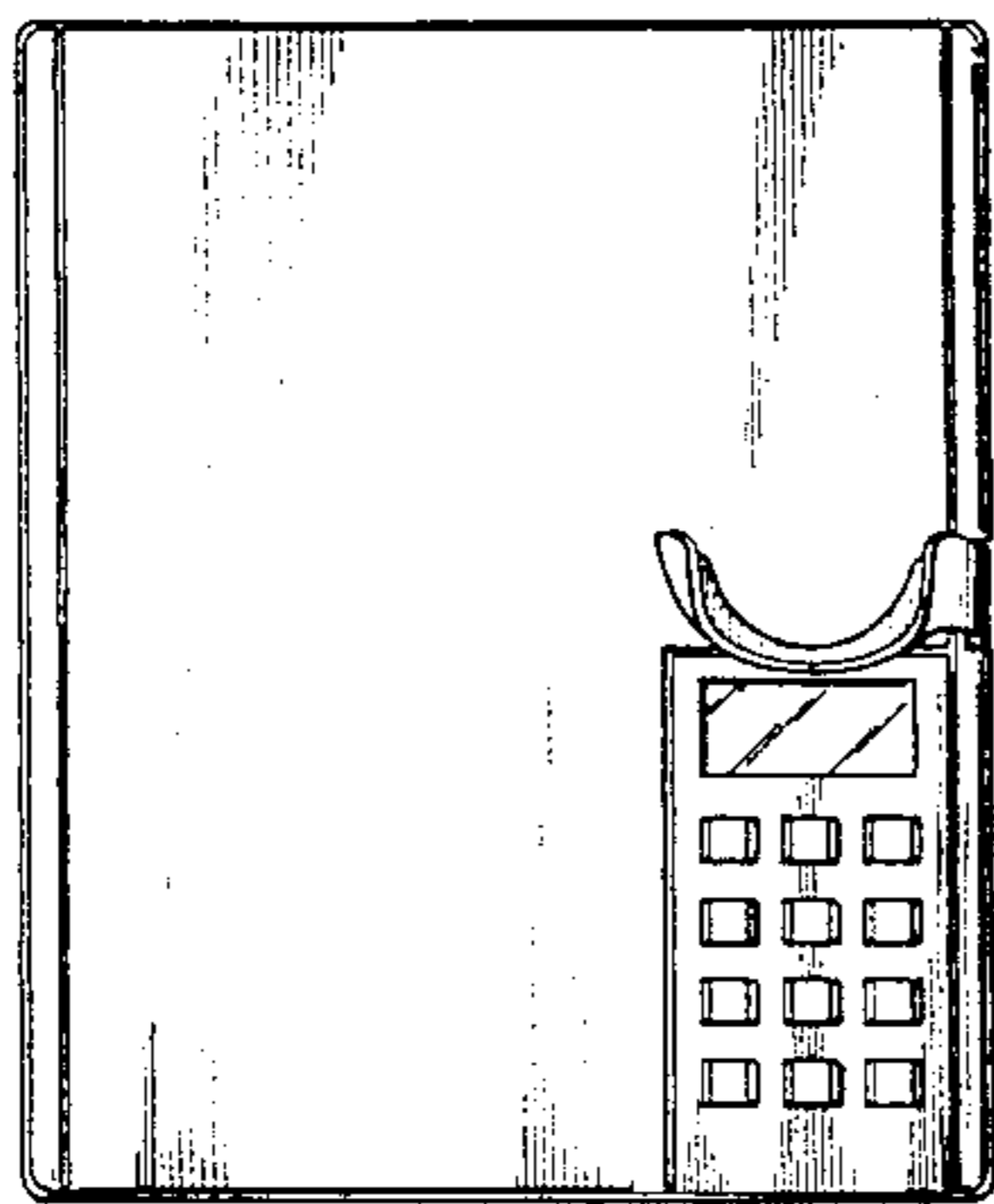
*Attorney, Agent, or Firm*—Cushman, Darby & Cushman

[57] **CLAIM**

The ornamental design for a telephone instrument base, as shown and described.

**DESCRIPTION**

FIG. 1 is a left side, top and front view of a telephone instrument base showing my new design;  
 FIG. 2 is a front elevational view;  
 FIG. 3 is a right side elevational view; and  
 FIG. 4 is a bottom end elevational view;  
 FIG. 5 is a rear elevational view.



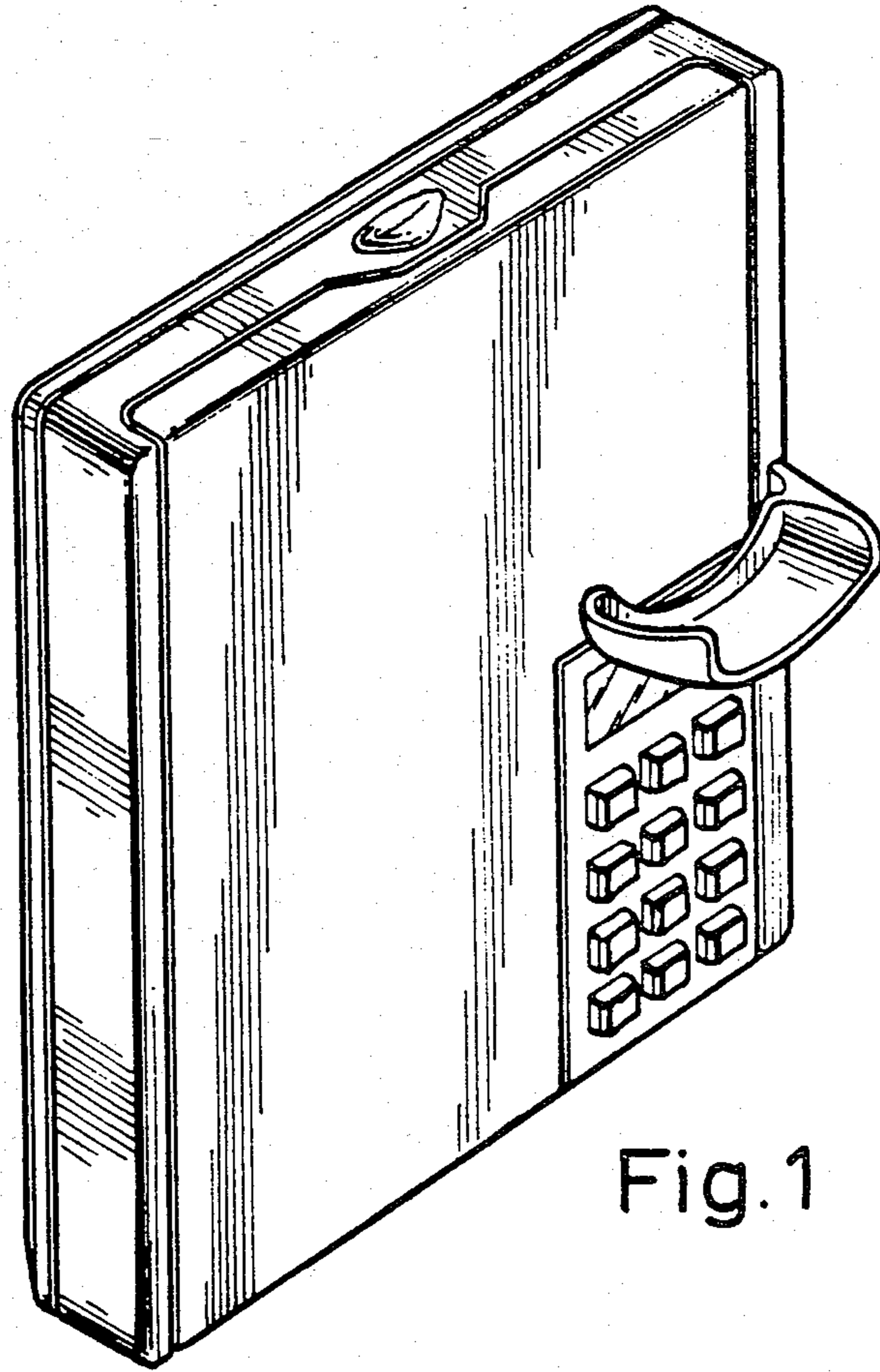


Fig. 1

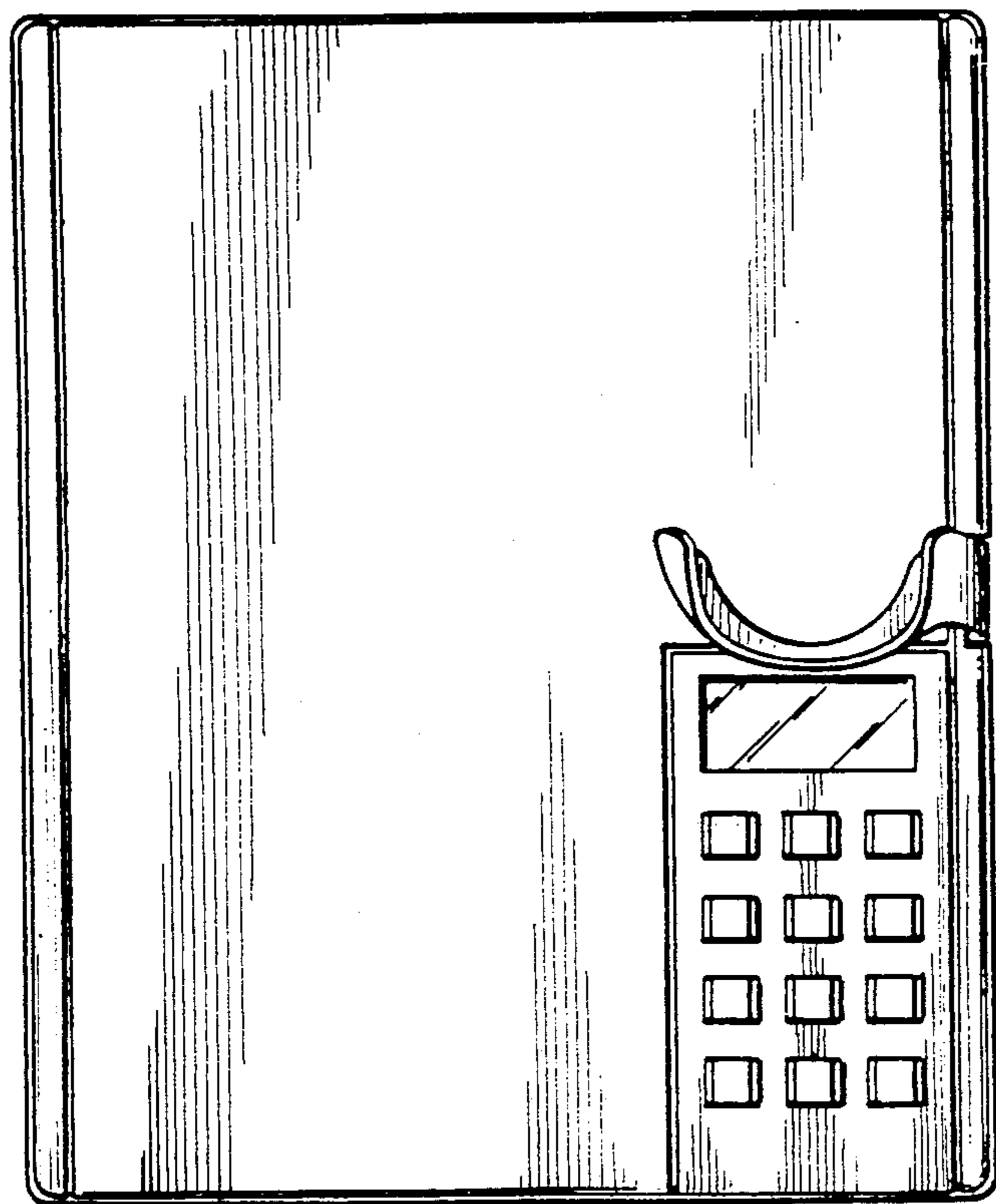


Fig. 2

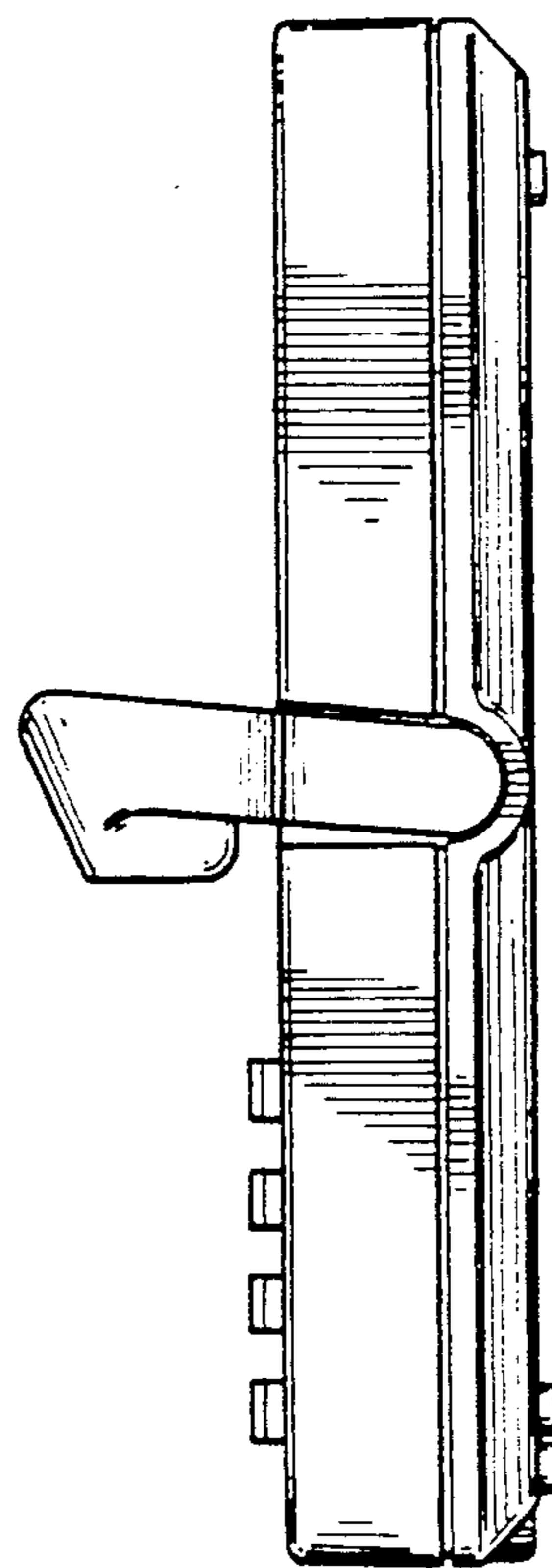


Fig. 3

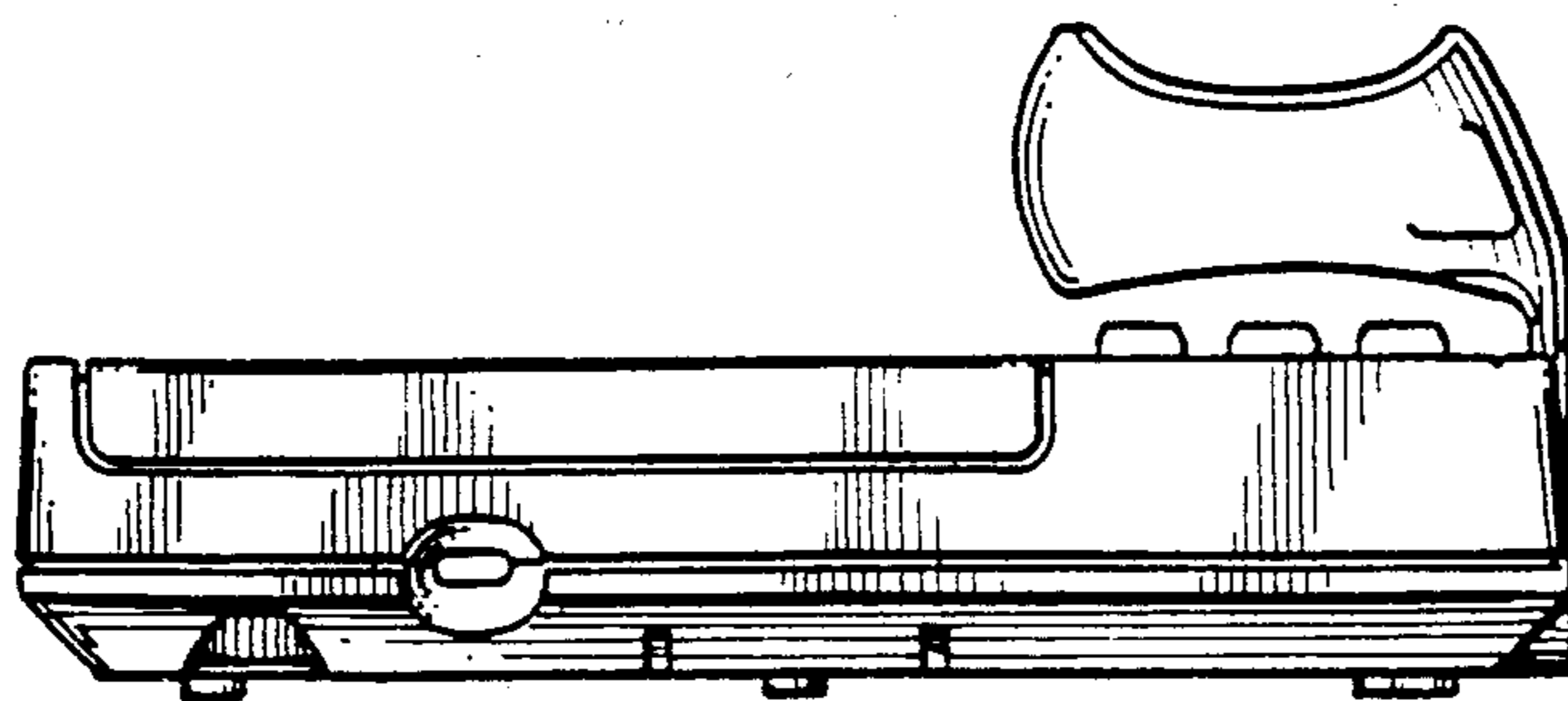


Fig. 4

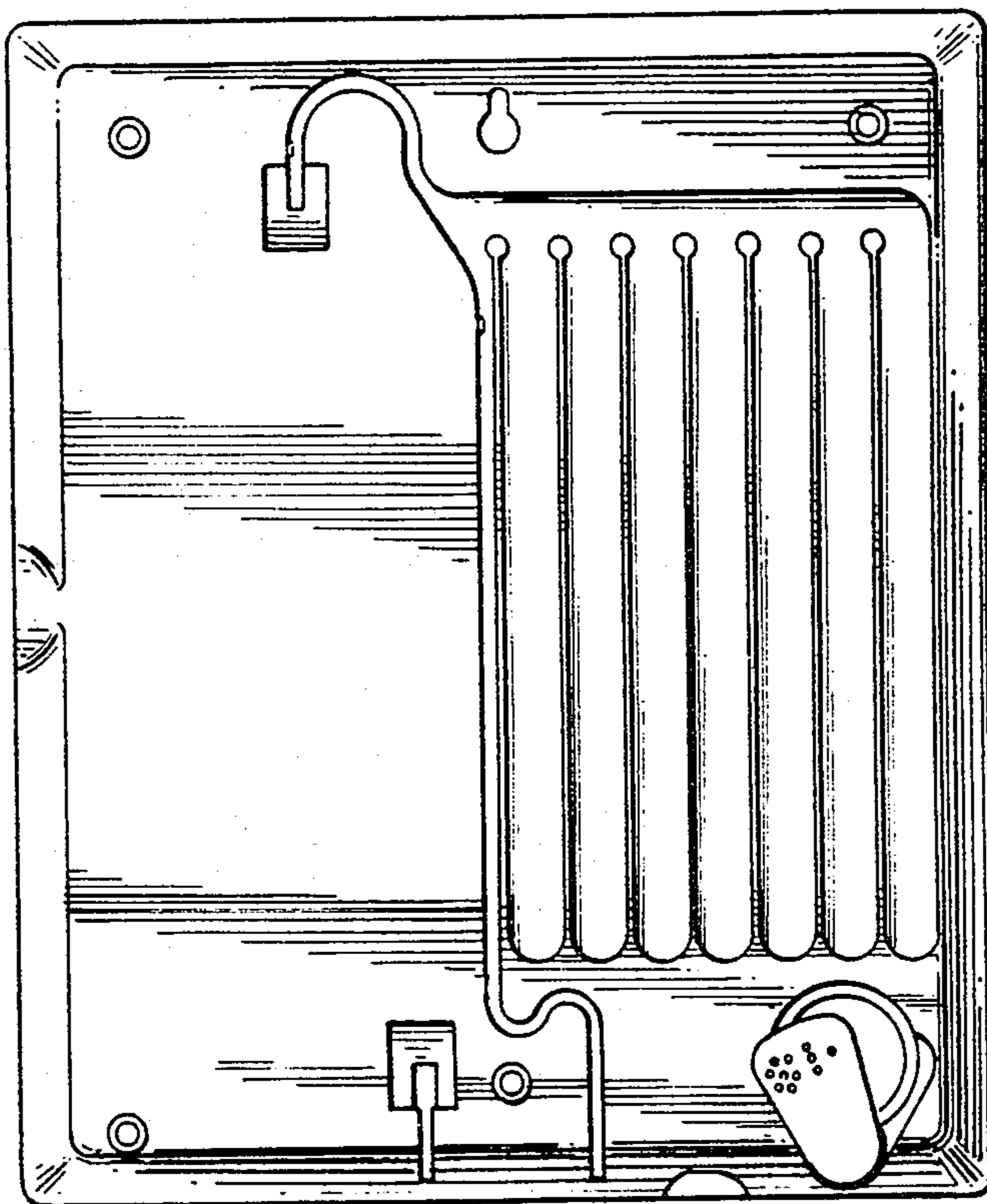


Fig. 5