

[54] **VIDEO INTERCOMMUNICATION SET INCLUDING HOUSING, TELEPHONE HEADSET AND IMAGE SCREEN**

3,715,519 2/1973 O'Leary 179/100 C
 4,117,276 9/1978 Zurawski 179/100 C
 4,228,325 10/1980 Blomberg 179/100 R

[75] **Inventor: Luigi Somaschini, Lissone, Italy**

[73] **Assignee: CTA Italia S.R.L., Italy**

[**] **Term: 14 Years**

[21] **Appl. No.: 506,377**

[22] **Filed: Jun. 21, 1983**

[52] **U.S. Cl. D14/54; D14/52; D14/53; D14/56; D14/61; D14/63; 179/100 R**

[58] **Field of Search D14/54, 52, 53, 55, D14/56, 61, 62, 59, 63, 64; 179/0.79, 0.78, 100 R, 100 C**

[56] **References Cited**

U.S. PATENT DOCUMENTS

D. 262,208	12/1981	Lynch	D14/56
D. 262,255	12/1981	Muraski	D14/53
D. 270,248	8/1983	Fukushima et al.	D14/53
D. 271,490	11/1983	Fukushima et al.	D14/56
D. 277,164	1/1985	Bevilacqua	D14/53
D. 277,281	1/1985	Tzukamoto et al.	D14/53
3,458,666	7/1969	Stromer	179/100 R
3,557,322	1/1971	Walden	179/100 R

OTHER PUBLICATIONS

Spiegel Home World Catalog, Spring 1983; at page 512, Item A, 2TT Wall Bracket "Trendline".

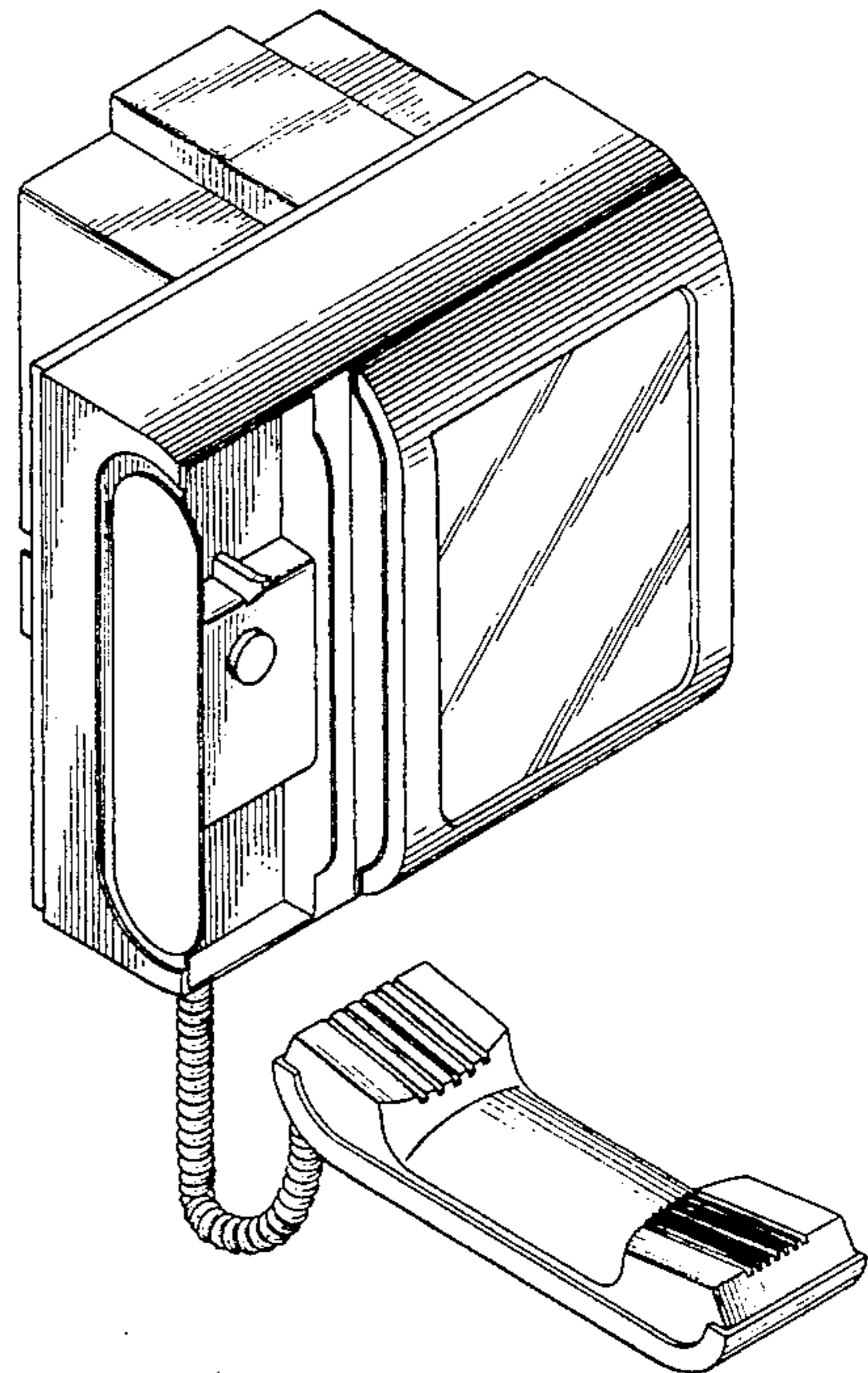
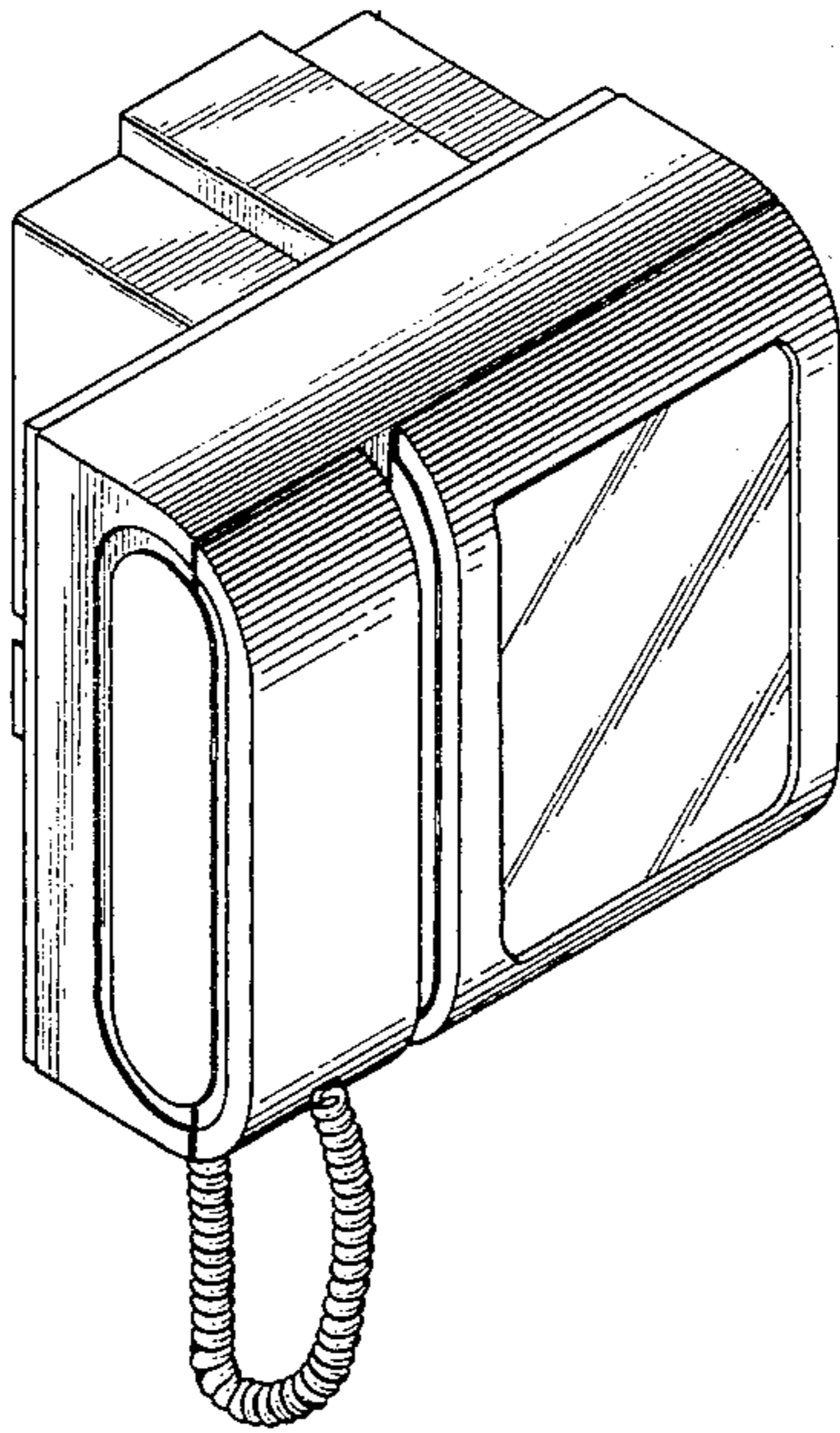
Primary Examiner—Wallace R. Burke
Assistant Examiner—Horace B. Fay
Attorney, Agent, or Firm—Sixbey, Friedman & Leedom

[57] **CLAIM**

The ornamental design for a video intercommunication set including housing, telephone handset and image screen, as shown and described.

DESCRIPTION

FIG. 1 is a partial left side, front perspective view from above of a video intercommunication set including housing, telephone handset and image screen showing my new design with the handset cradled in its housing; FIG. 2 is a similar perspective view thereof with the handset removed from and spaced apart from the housing; FIGS. 3, 4, 5, 6, 7 and 8 are respectively front side elevational, top plan, rear side elevational, bottom plan, and left and right side elevational views.



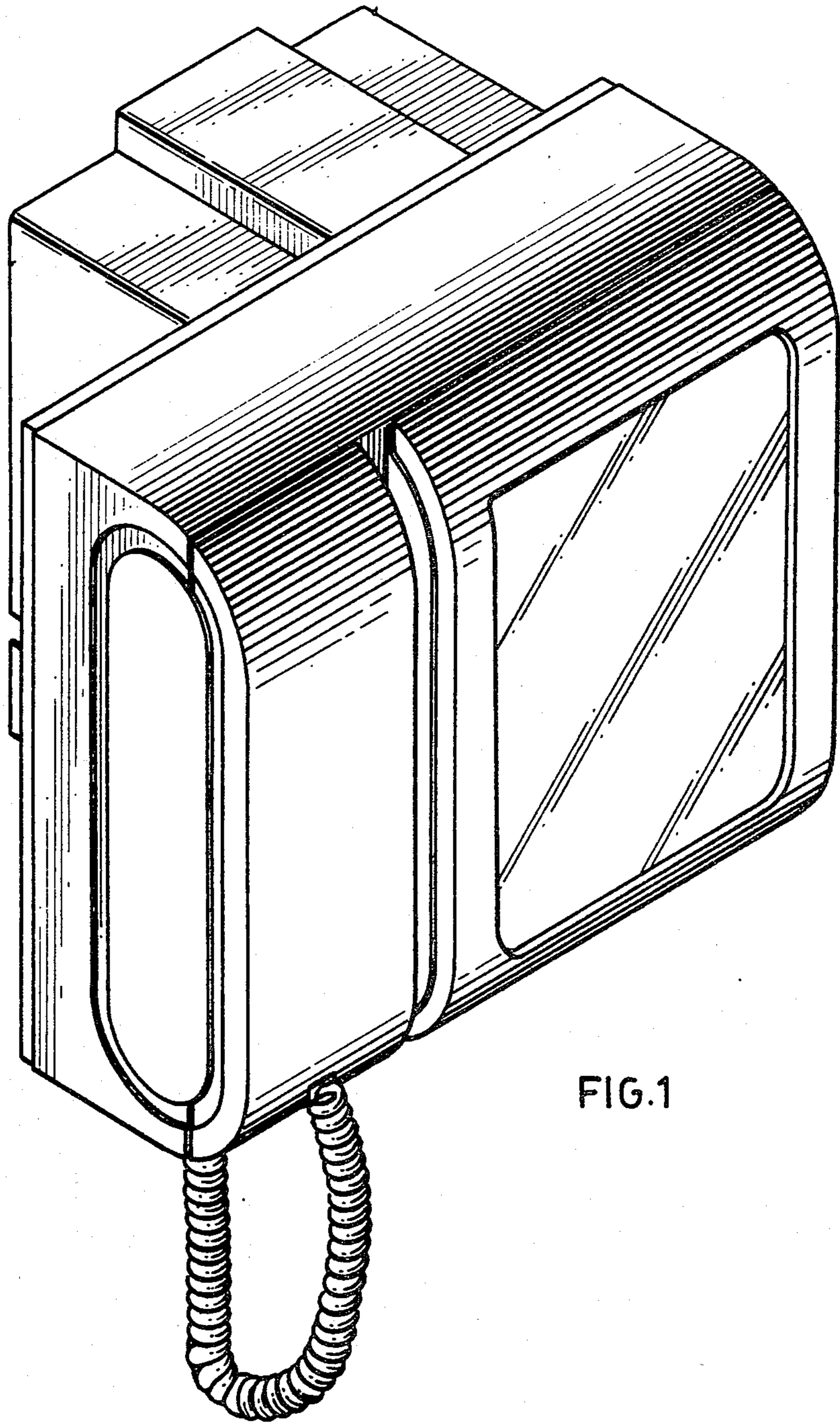


FIG. 1

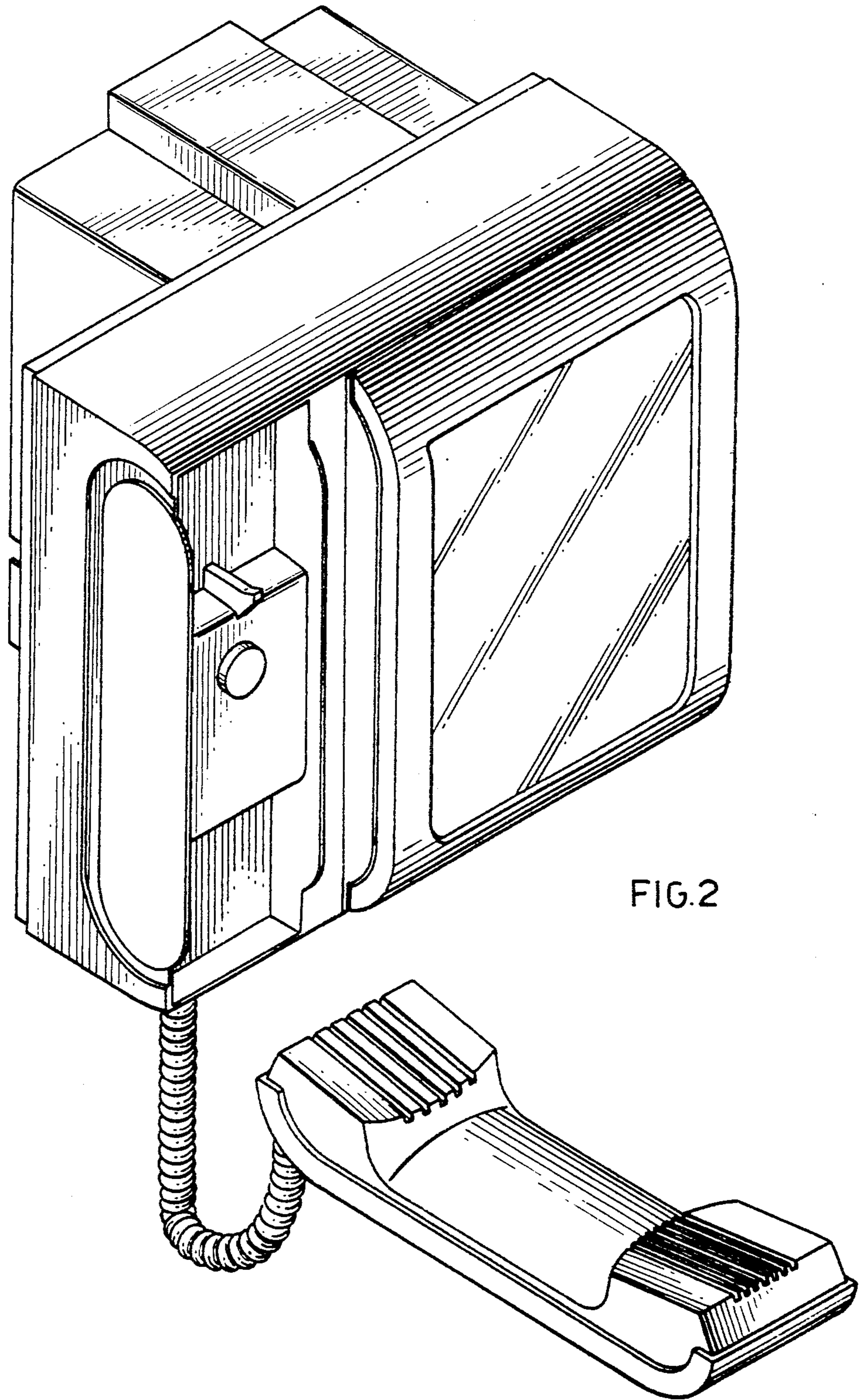


FIG.2

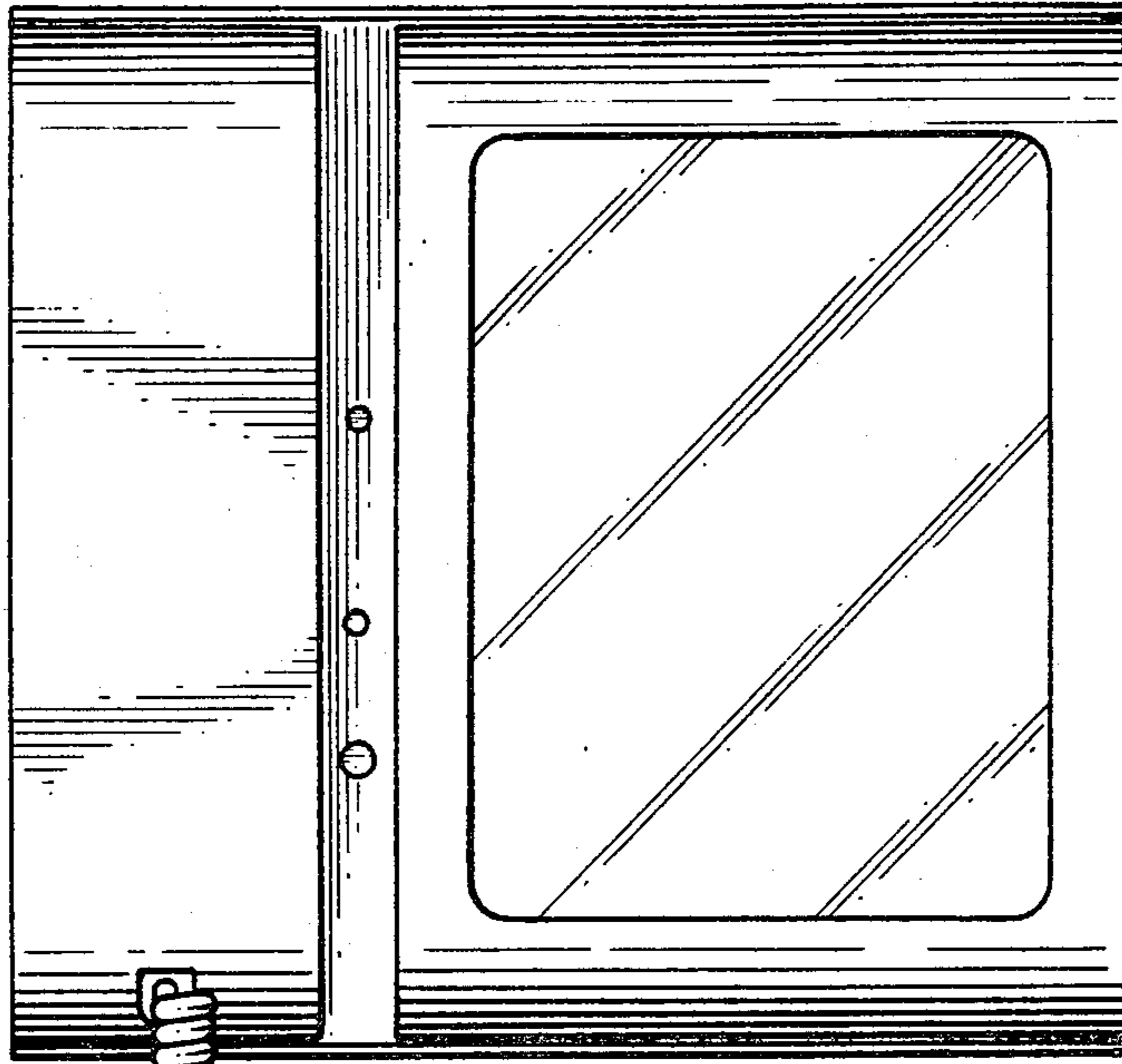


FIG. 3

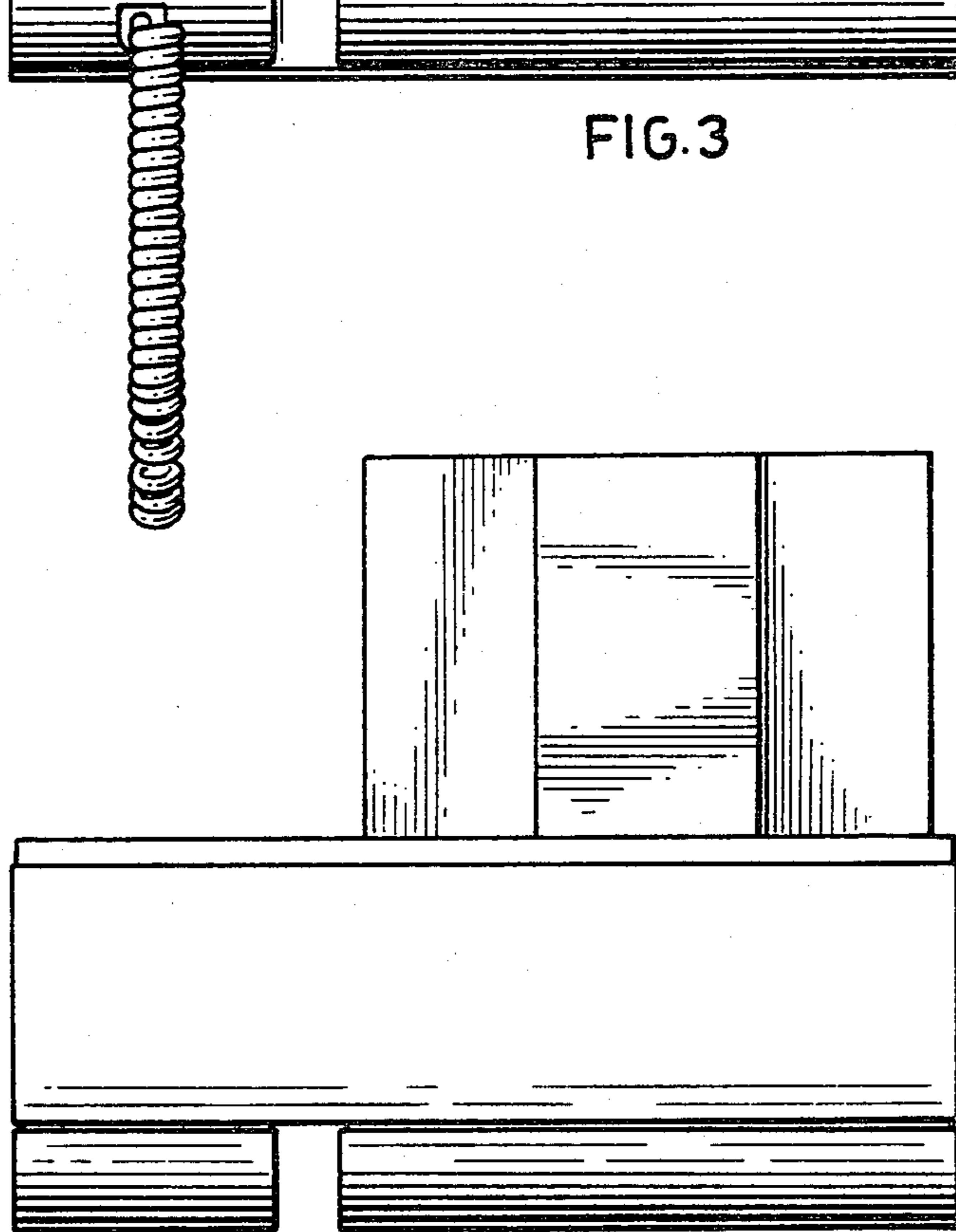


FIG. 4

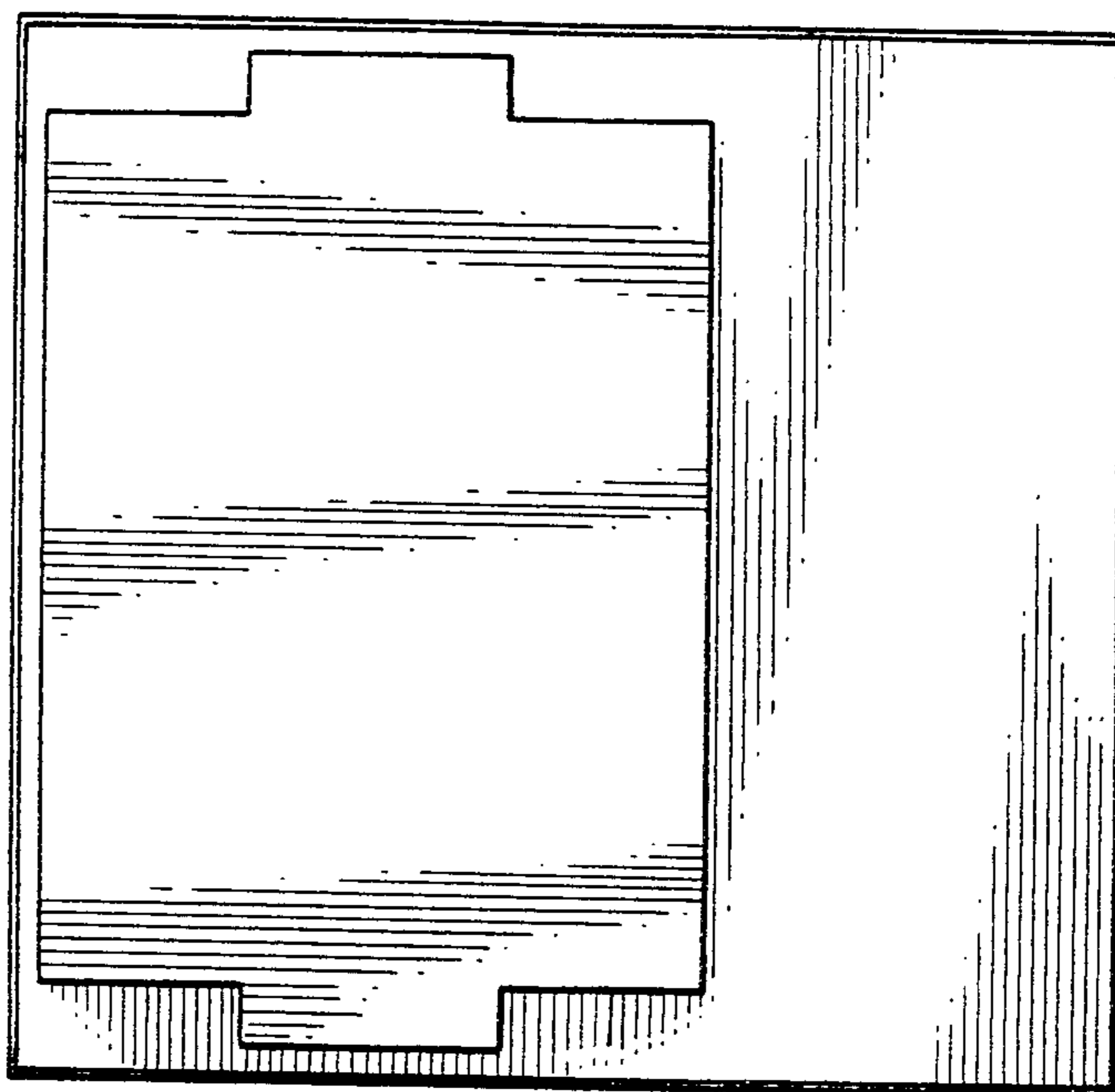


FIG. 5

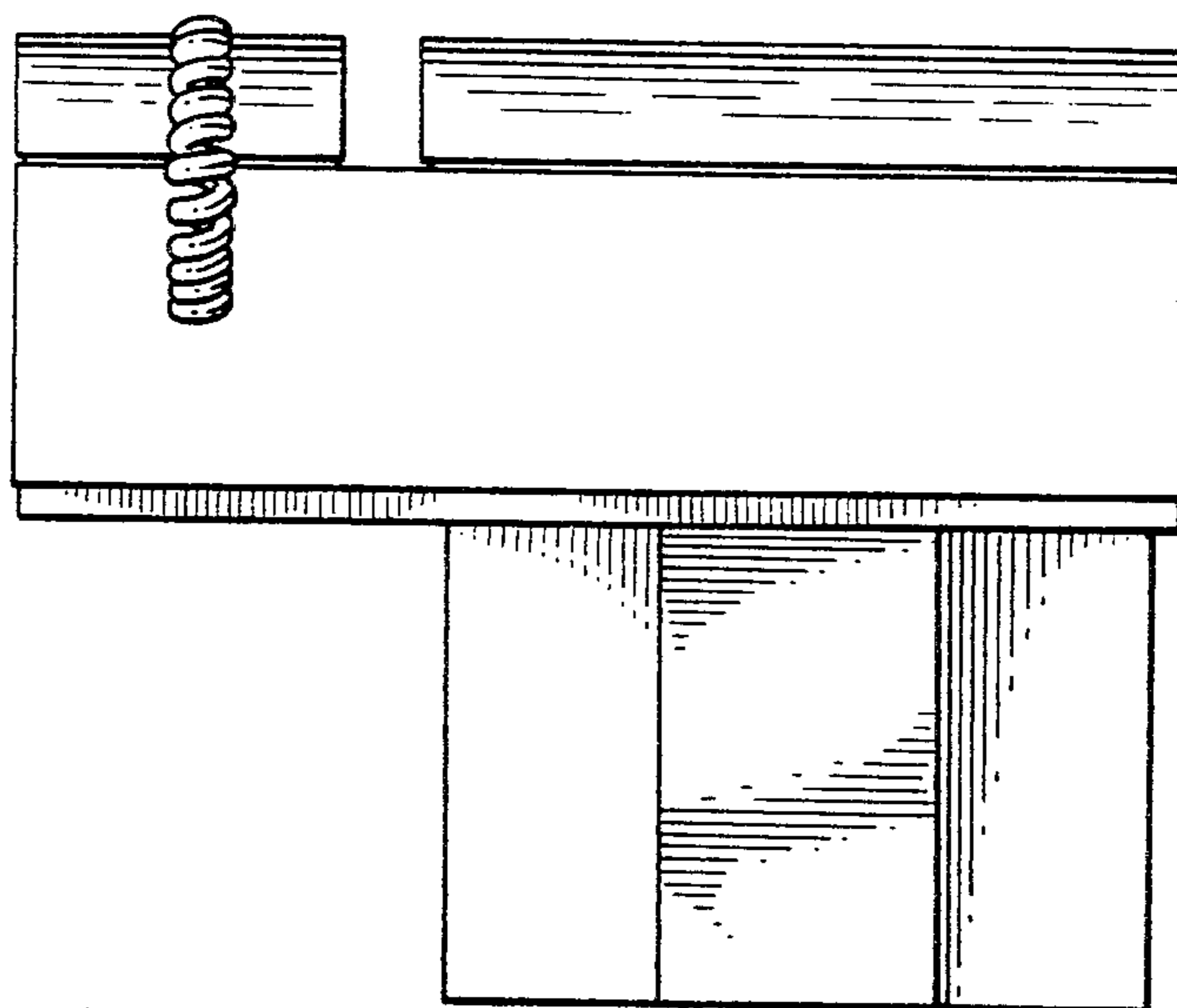


FIG. 6

FIG.7

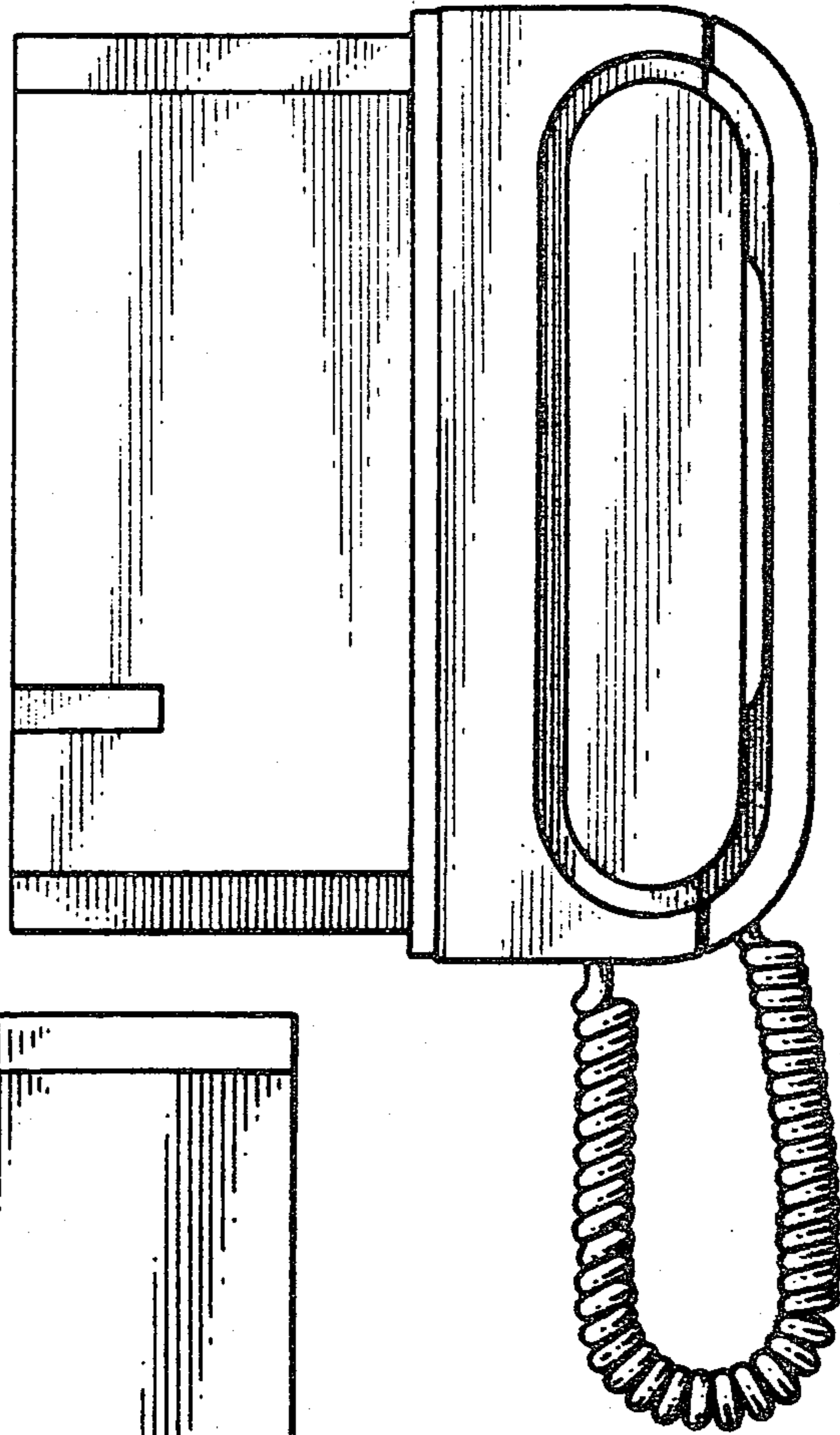


FIG.8

