

[54] **EXTERIOR VISOR FOR VEHICLES**

[75] **Inventor: Richard J. Kingsley, North Bonneville, Wash.**

[73] **Assignee: Michael C. Kingsley, Tacoma, Wash.**

[**] **Term: 14 Years**

[21] **Appl. No.: 553,569**

[22] **Filed: Nov. 21, 1983**

[52] **U.S. Cl. D12/191**

[58] **Field of Search D12/191; 296/95 R, 97 A**

[56] **References Cited**
PUBLICATIONS

J. C. Whitney Catalog No. 423B, ©1982, p. 131, Sun Visor For 80-82 Citation, OMEGA, Phoenix & Skylark & Sun Visor For 73-81 Camaro & Firebird.

Primary Examiner—James M. Gandy
Attorney, Agent, or Firm—Hughes & Cassidy

[57] **CLAIM**

The ornamental design for an exterior visor for vehicles, as shown and described.

DESCRIPTION

FIG. 1 is a perspective view of an exterior visor for vehicles showing my new design, the broken line representation of a fragmentary portion of a vehicle being for illustrative purposes only;

FIG. 2 is a top plan view thereof;

FIG. 3 is a front elevational view thereof;

FIG. 4 is a rear elevational view thereof;

FIG. 5 is an end elevational view thereof, the opposite end being a mirror image of that shown;

FIG. 6 is a bottom plan view thereof; and

FIG. 7 is a sectional view thereof taken along line 7—7 in FIG. 2.

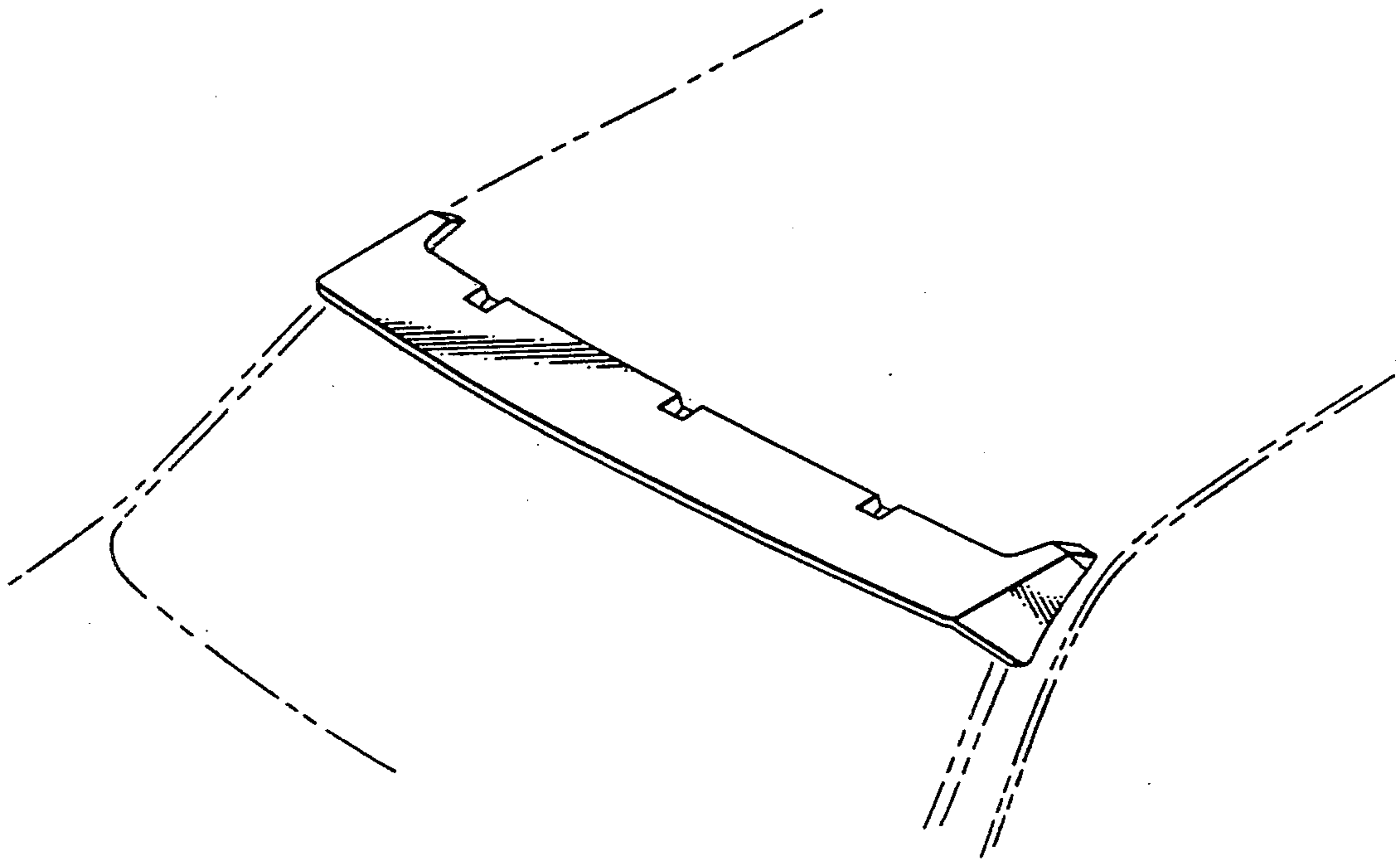


FIG. 1

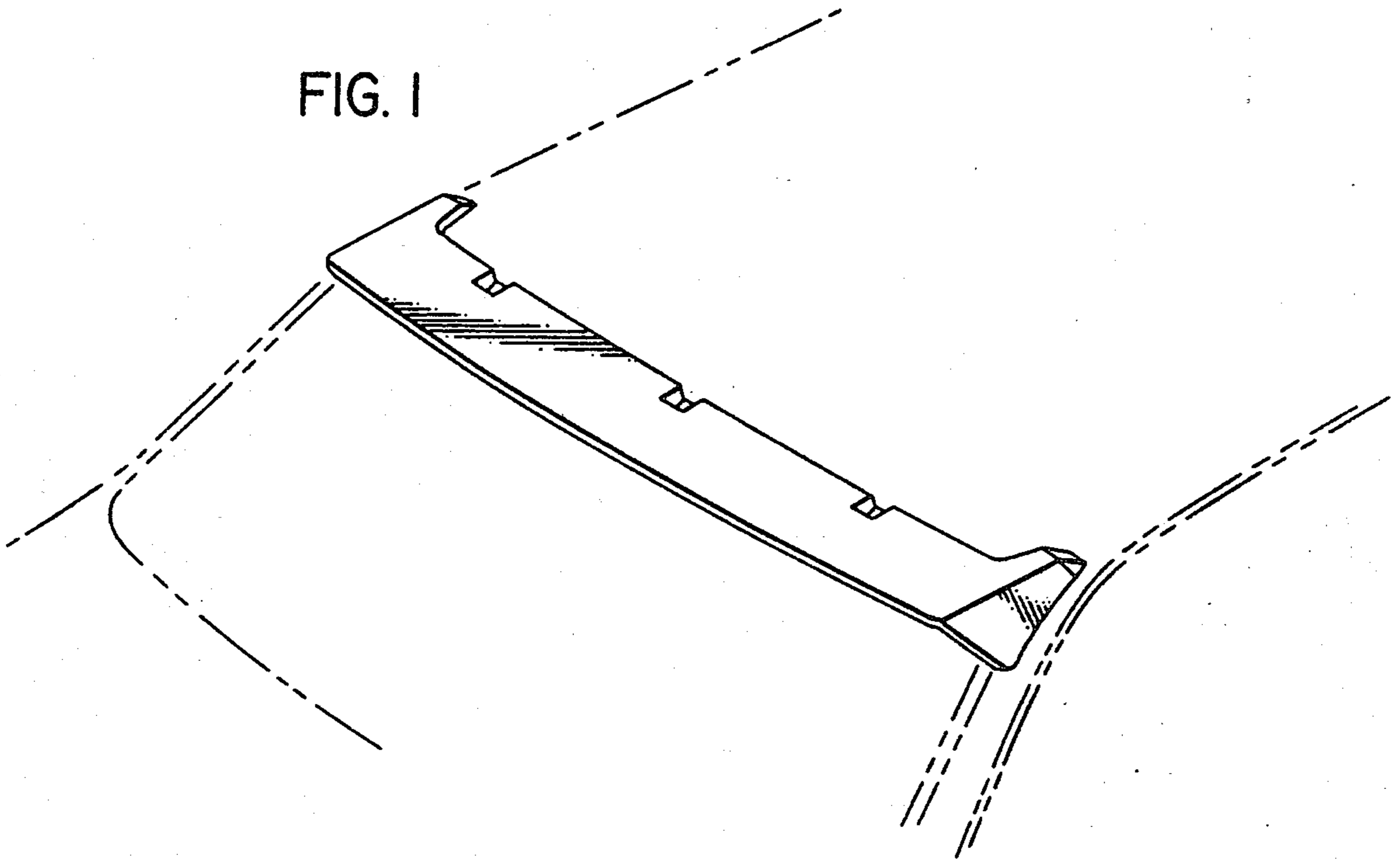


FIG. 2

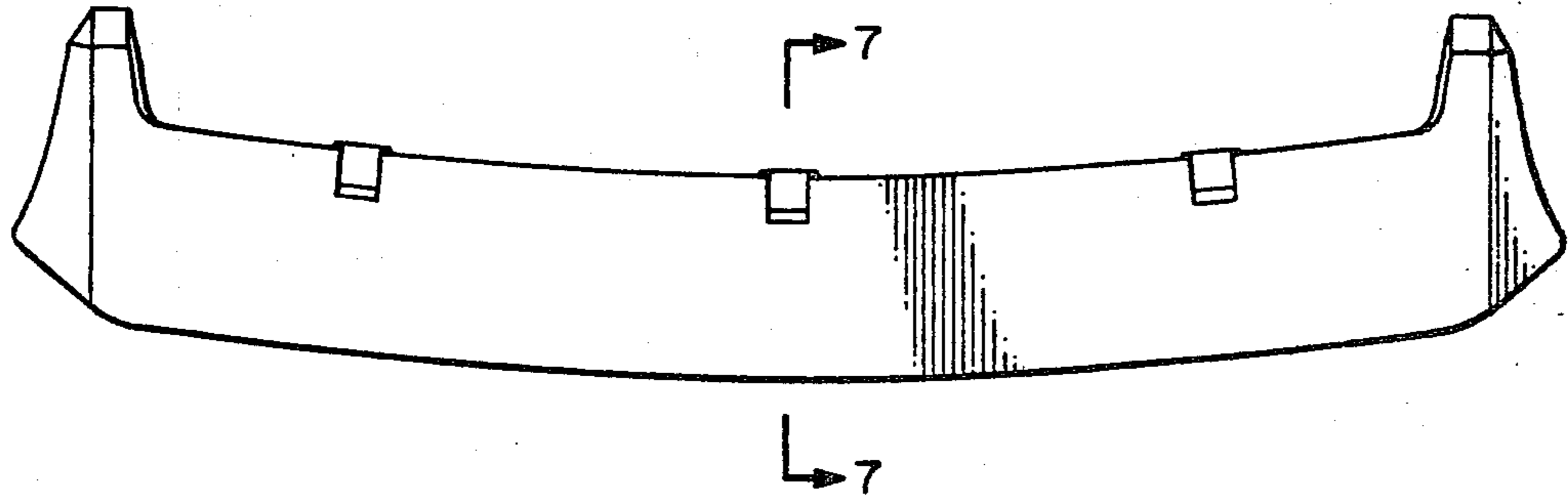


FIG. 3

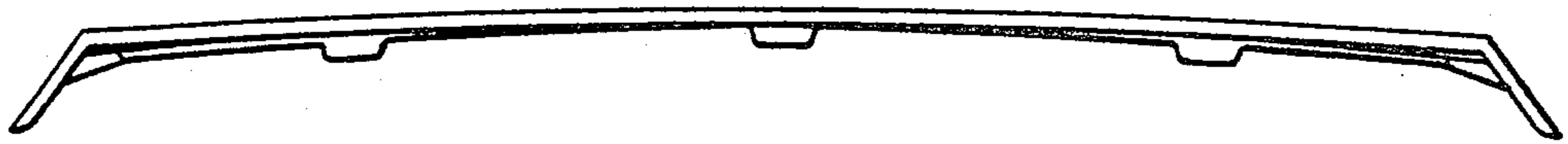


FIG. 4

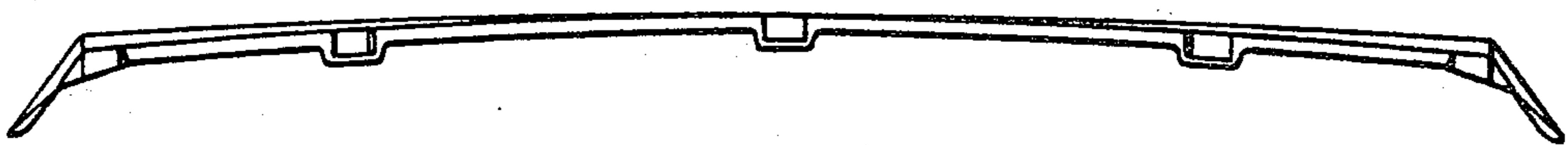


FIG. 5



FIG. 6

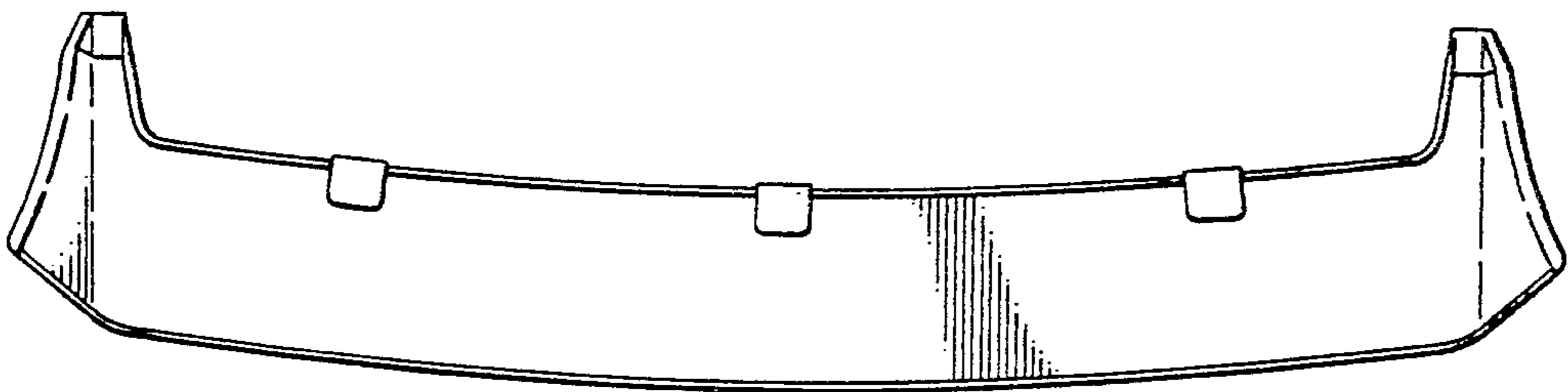


FIG. 7

