

# United States Patent [19]

Moulton

[11] Patent Number: **Des. 283,606**

[45] Date of Patent: **\*\* Apr. 29, 1986**

[54] **BICYCLE**

[75] Inventor: **Alexander E. Moulton,**  
Bradford-on-Avon, England

[73] Assignee: **Alex Moulton Limited,** Wiltshire,  
England

[\*\*] Term: **14 Years**

[21] Appl. No.: **497,119**

[22] Filed: **May 23, 1983**

[30] **Foreign Application Priority Data**

Dec. 1, 1982 [GB] United Kingdom ..... 1 010 043

Dec. 1, 1982 [GB] United Kingdom ..... 1 010 046

[52] U.S. Cl. .... **D12/111**

[58] Field of Search ..... **D12/111; 280/281 R,**  
280/287, 278, 281 LP

[56] **References Cited**

**U.S. PATENT DOCUMENTS**

4,448,435 5/1984 Hon ..... 280/287

**FOREIGN PATENT DOCUMENTS**

1502759 10/1967 France ..... 280/287

*Primary Examiner*—James M. Gandy  
*Attorney, Agent, or Firm*—Dennison, Meserole, Pollack  
& Scheiner

[57] **CLAIM**

The ornamental design for a bicycle, as shown and described.

**DESCRIPTION**

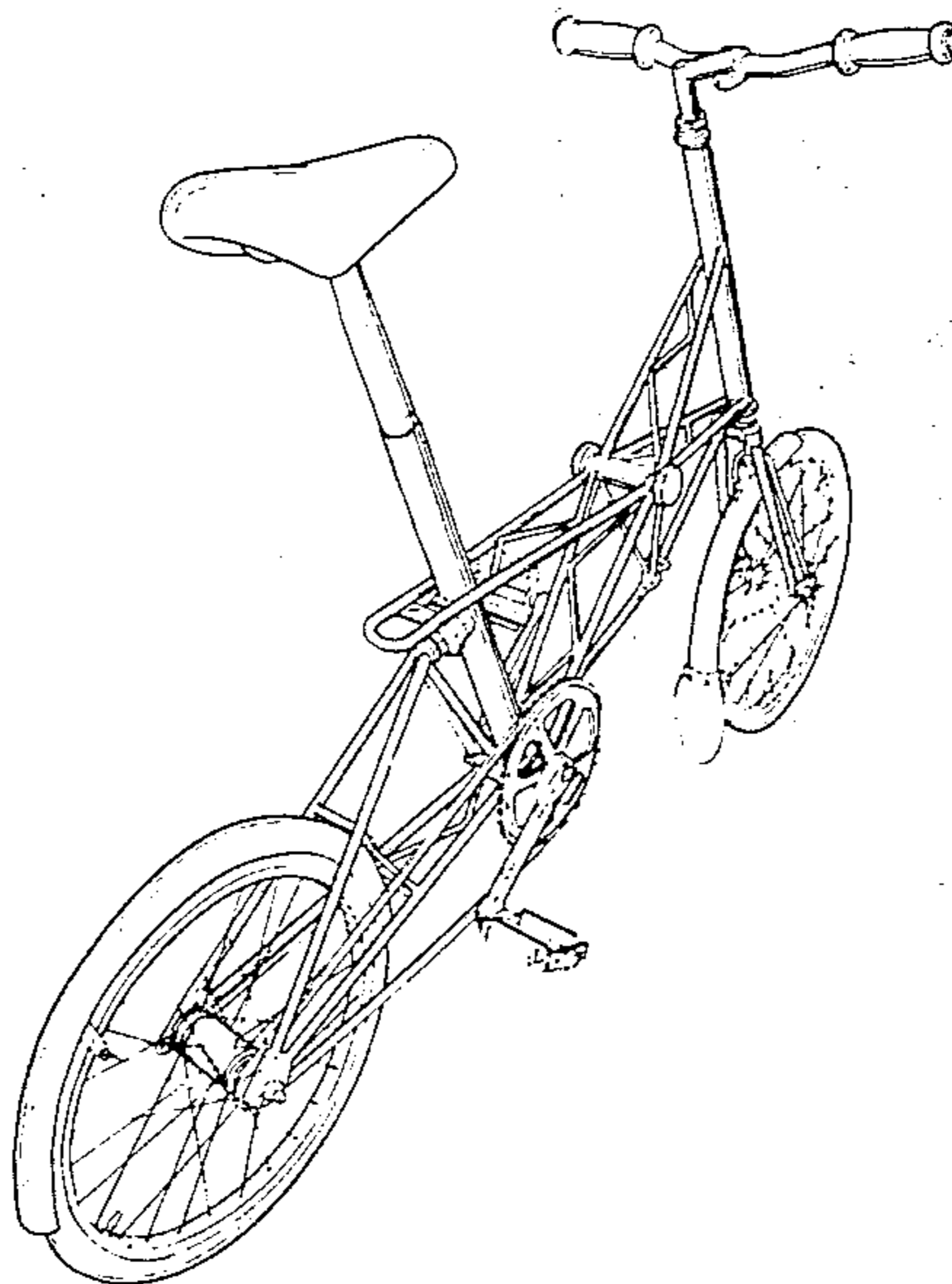
FIG. 1 is a perspective view from the rear and one side of the bicycle;

FIG. 2 is an elevation view of the opposite side thereof;

FIG. 3 is a front elevation view thereof;

FIG. 4 is a top plan view thereof; and

FIG. 5 is a perspective view thereof in separated condition.



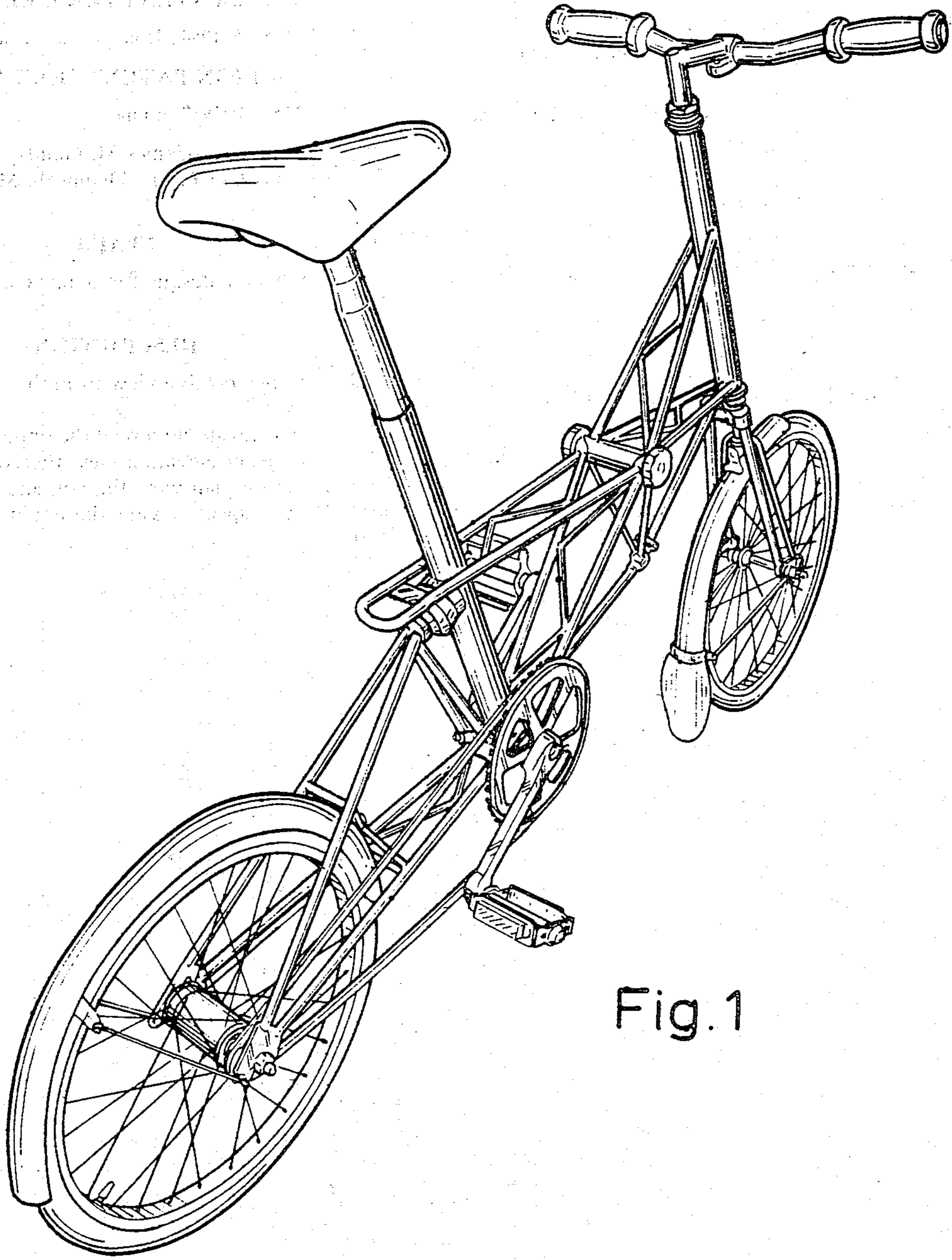


Fig. 1

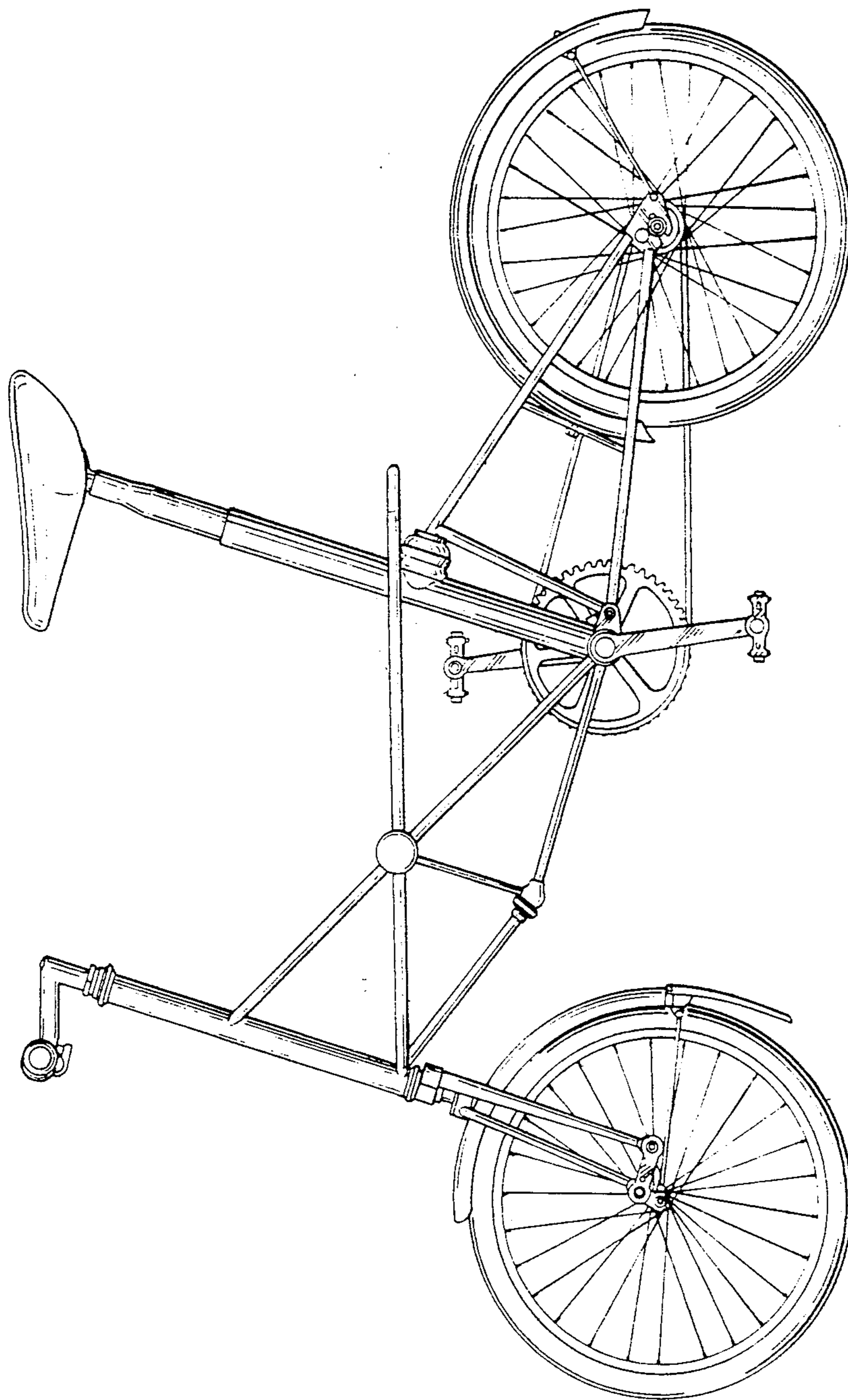


Fig. 2

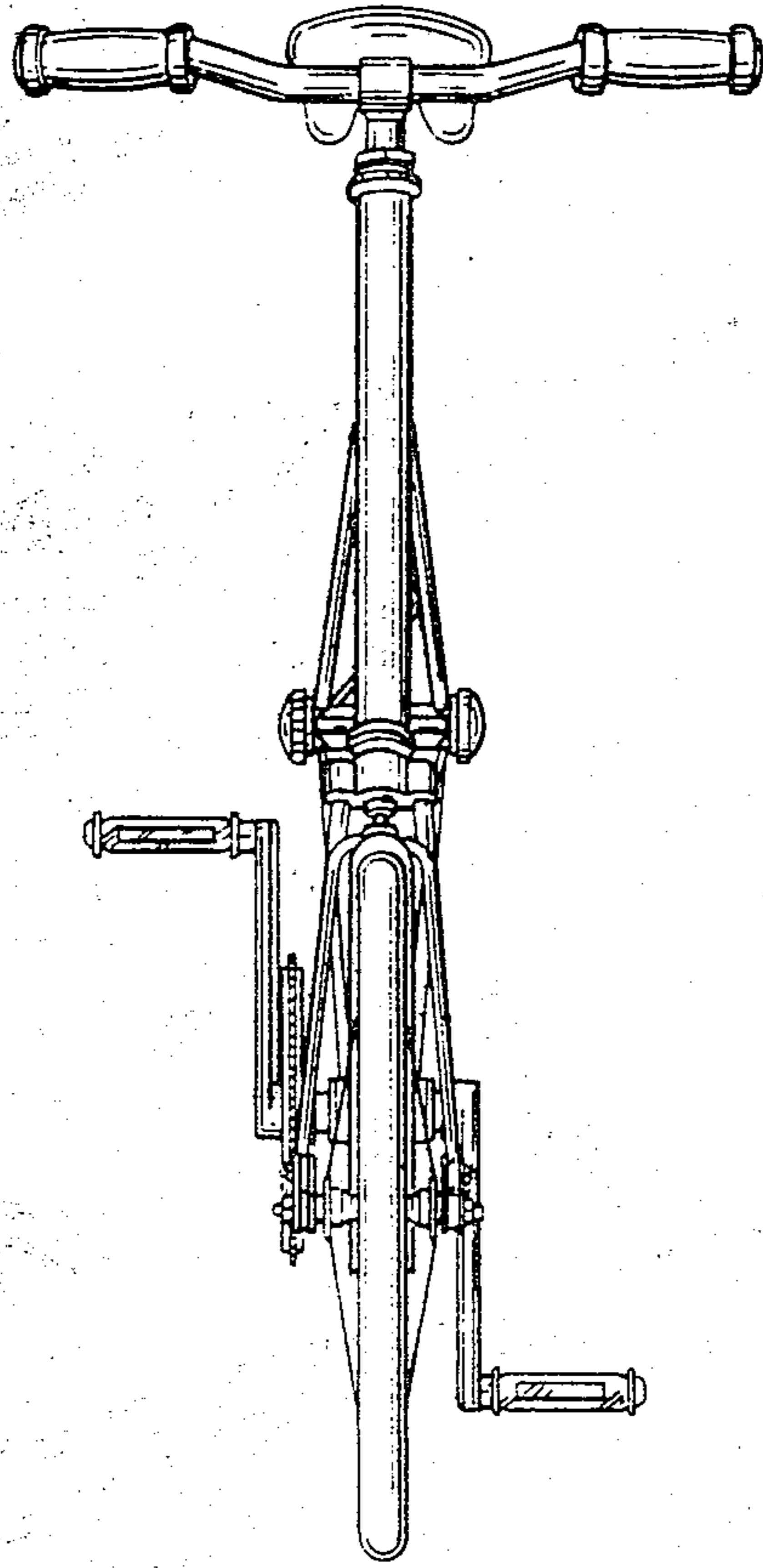


Fig.3

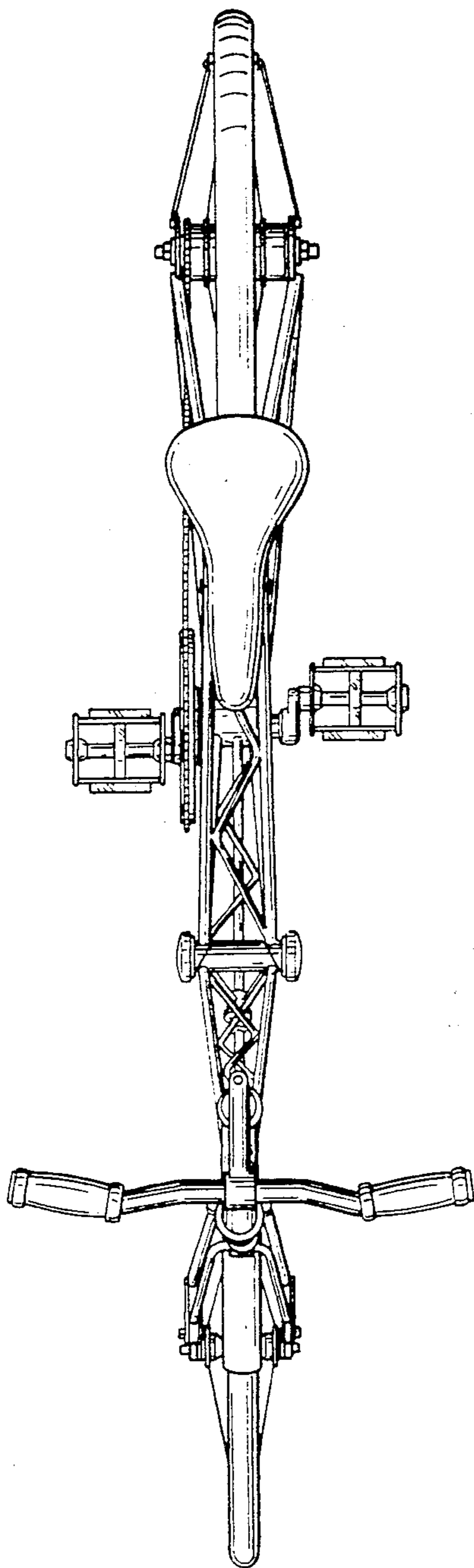


Fig. 4

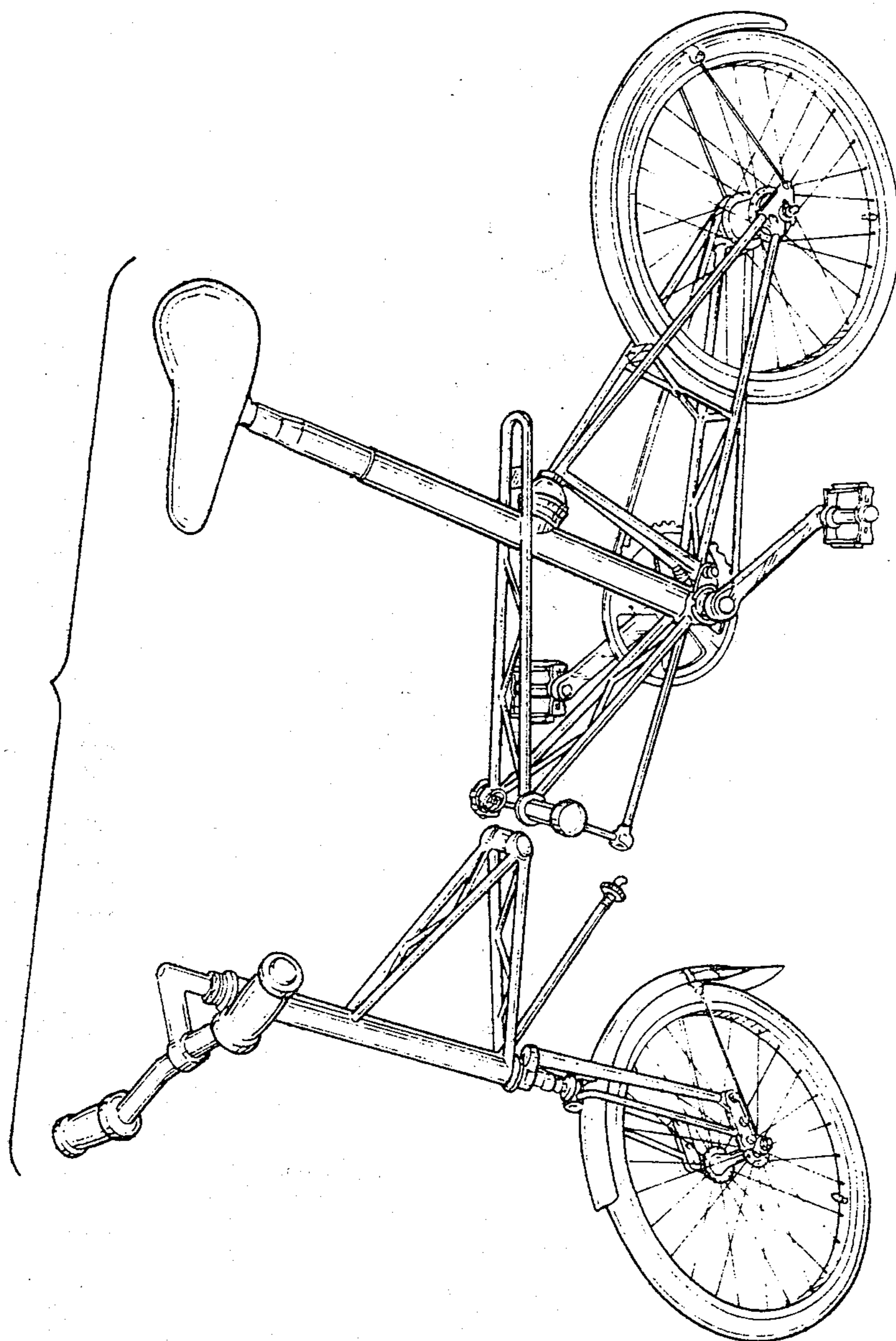


Fig. 5