

[54] MOTORCYCLE

[75] Inventors: Klaus V. Gevert, Munich; Karl H. Abe, Steinebach/Wörthsee; Hubert Walter, Penzberg; Hans-Joachim Saaksmeier, Munich; Eftimula Vanco, Neufahrn, all of Fed. Rep. of Germany

[73] Assignee: Bayerische Motoren Werke A.G., Fed. Rep. of Germany

[**] Term: 14 Years

[21] Appl. No.: 478,508

[22] Filed: Mar. 24, 1983

[30] Foreign Application Priority Data

Sep. 24, 1982 [DE] Fed. Rep. of Germany ... MR 13095
[52] U.S. Cl. D12/110
[58] Field of Search D12/110; 180/219, 221, 180/229, 231

[56] References Cited
PUBLICATIONS

Cycle World, 1/82, p. 17, Suzuki GS-750 EX Motorcycle, top right side of page.
Cycle World, 3/82, p. 147, BMW R65LS Motorcycle, top right side of page.
Road & Track, 9/81, p. 102, Front Radiator Grille of BMW 323i, top left side of page.

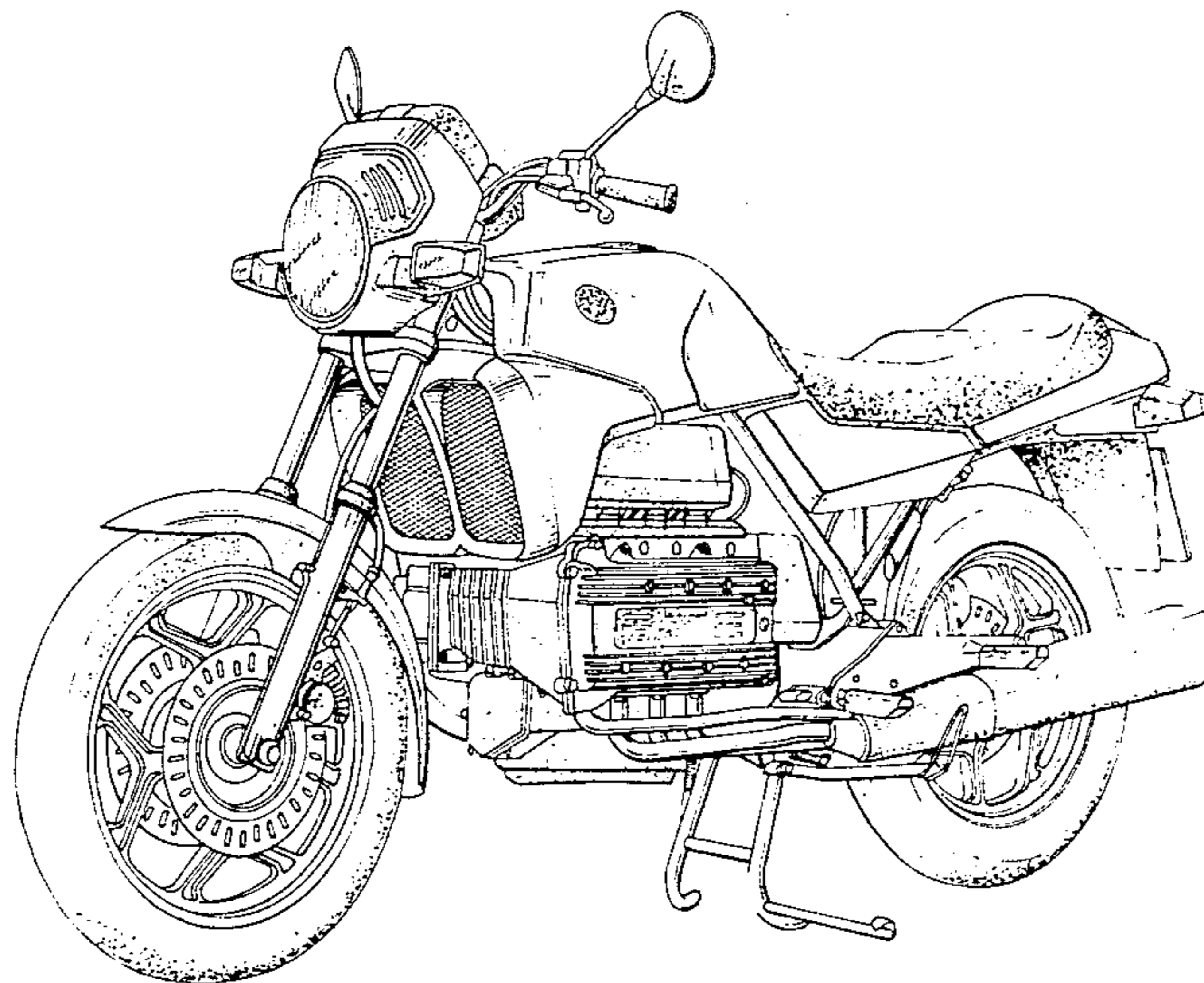
Primary Examiner—James M. Gandy
Attorney, Agent, or Firm—Craig and Burns

[57] CLAIM

The ornamental design for a motorcycle, as shown.

DESCRIPTION

FIG. 1 is a perspective view from the left of the motorcycle embodying our novel design;
FIG. 2 is a side perspective view from the opposite side of FIG. 1;
FIG. 3 is a top perspective view thereof;
FIG. 4 is a front perspective view thereof;
FIG. 5 is a rear perspective view thereof;
FIG. 6 is a perspective view from the right of the motorcycle; and
FIG. 7 is a side perspective view from the opposite side of FIG. 6.



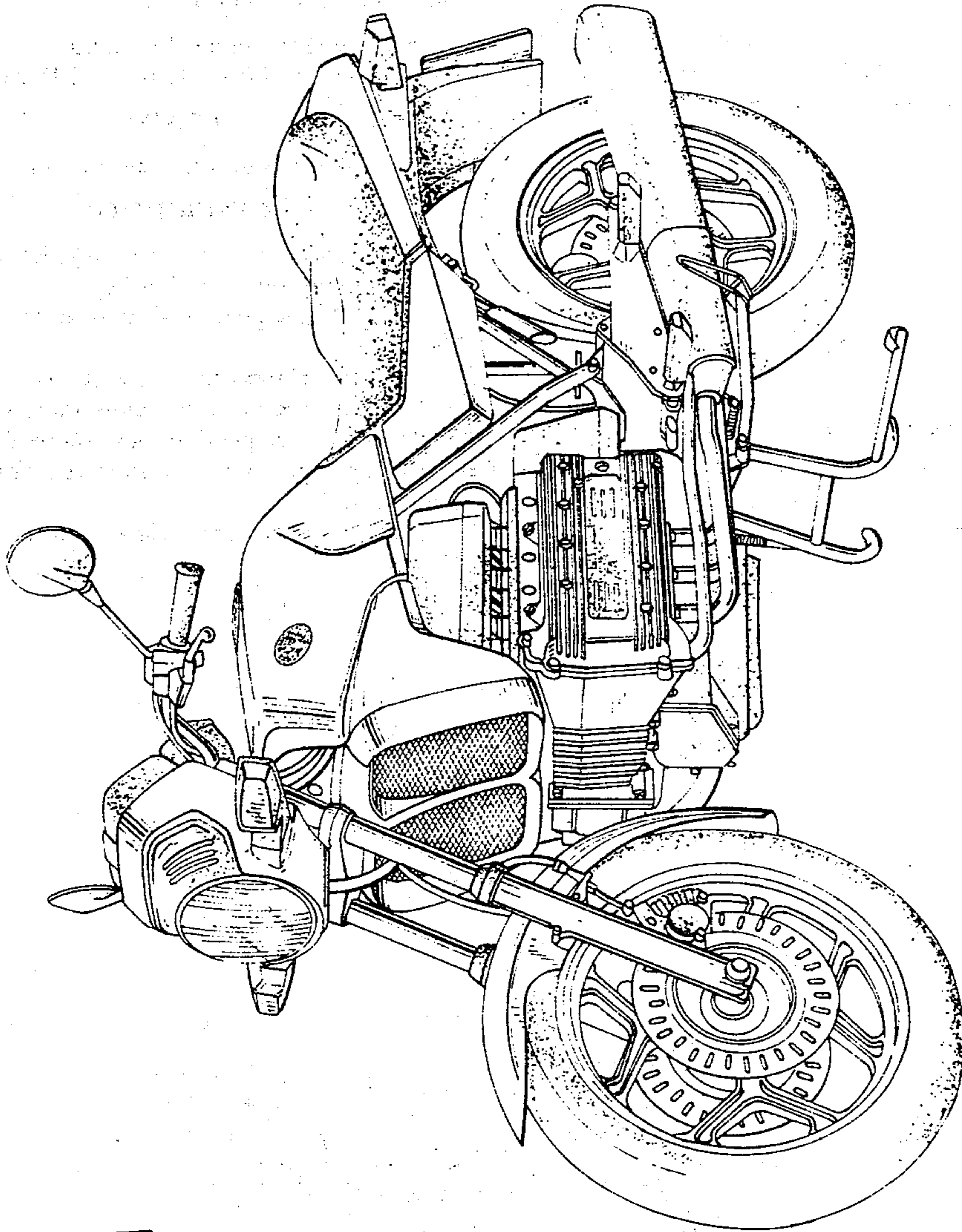


FIG. 1

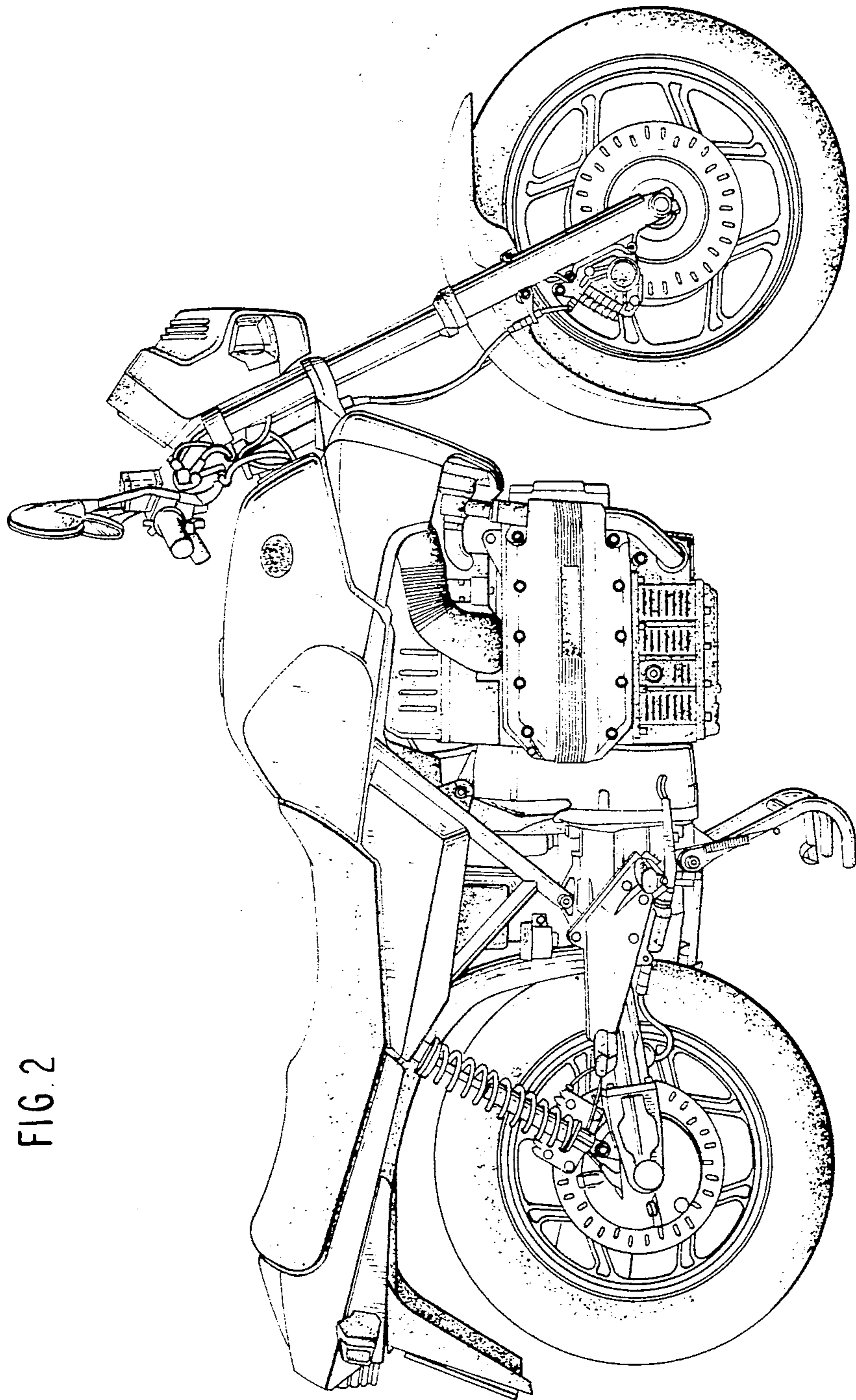


FIG. 2

FIG. 3

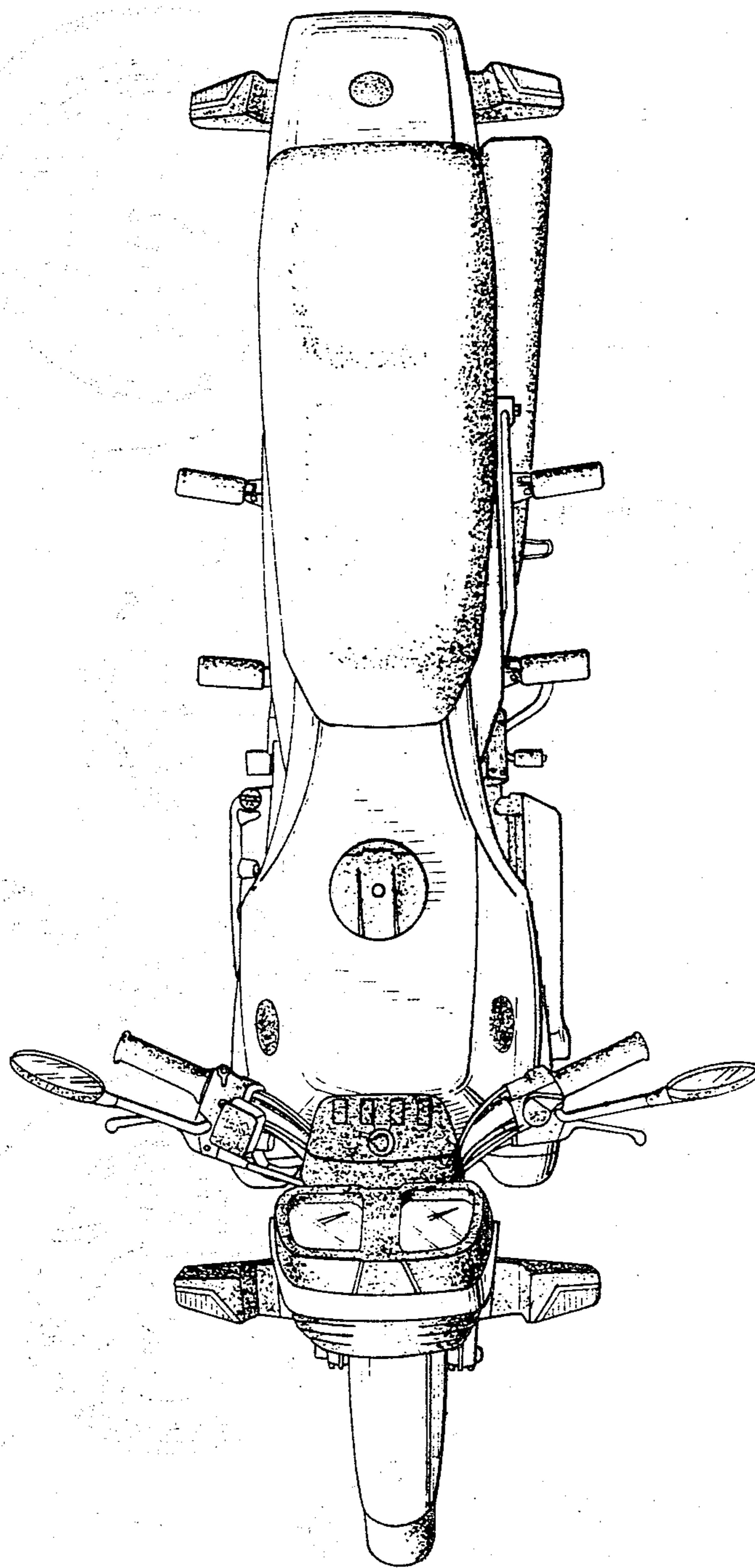


FIG. 5

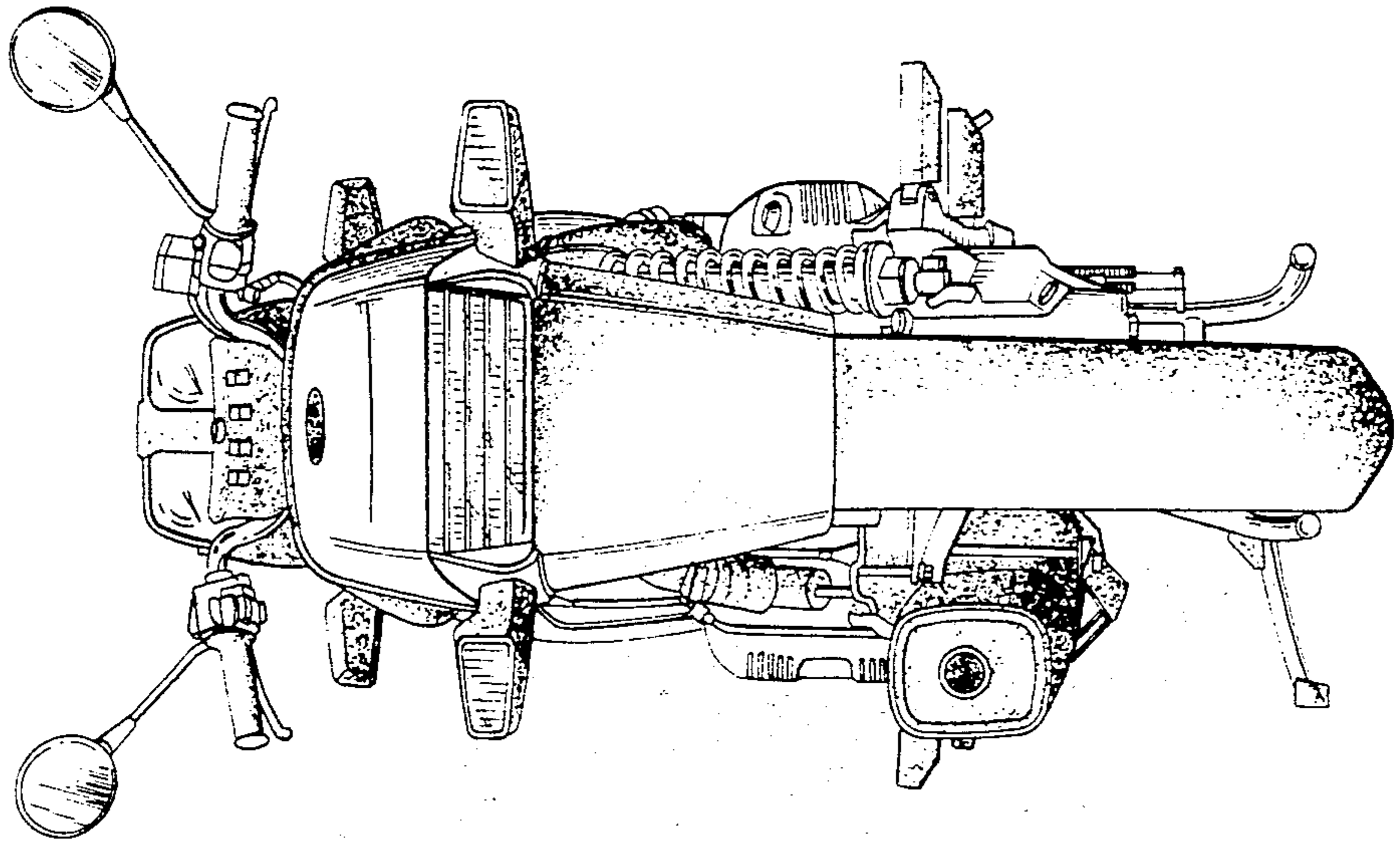
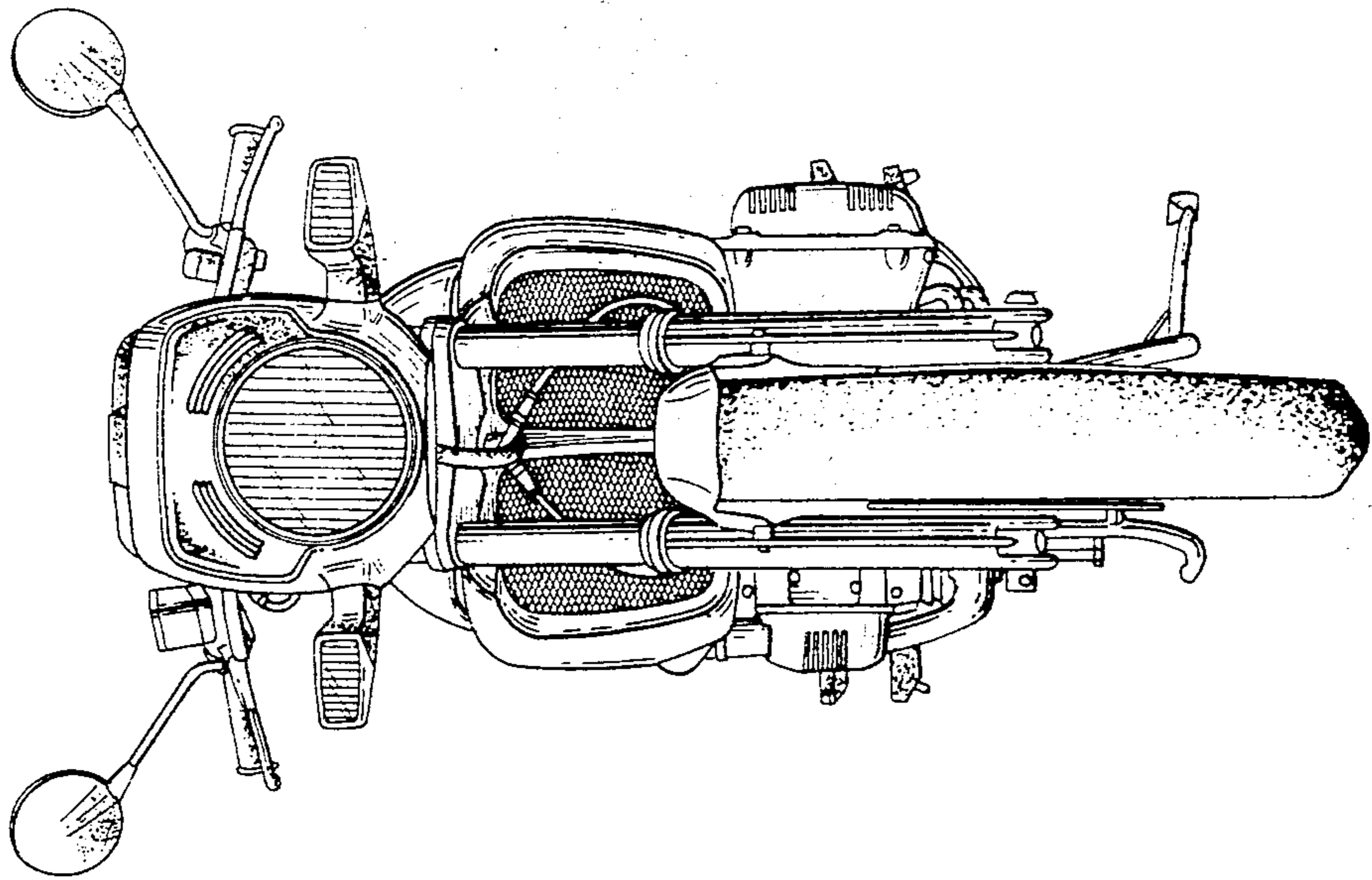


FIG. 4



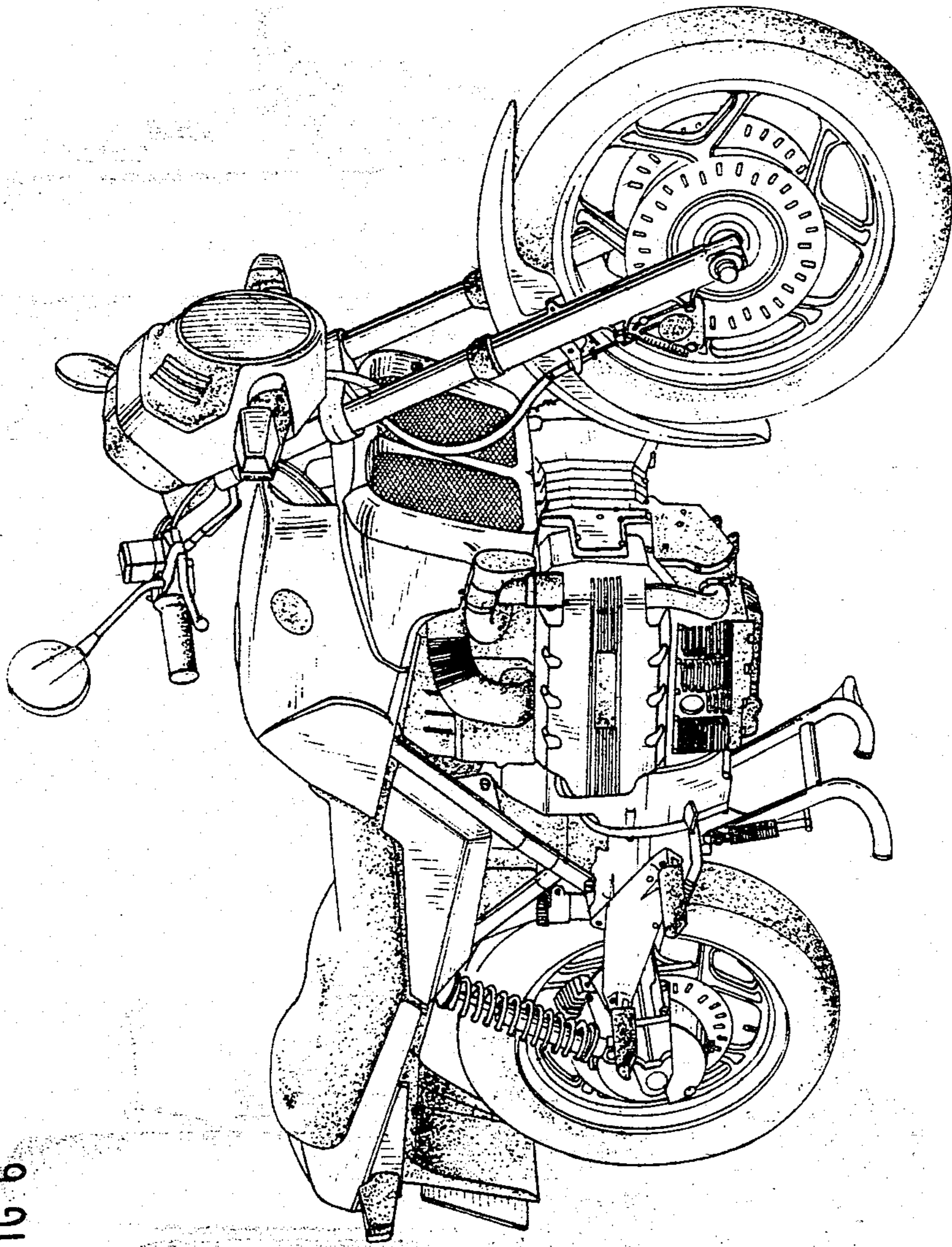


FIG. 6

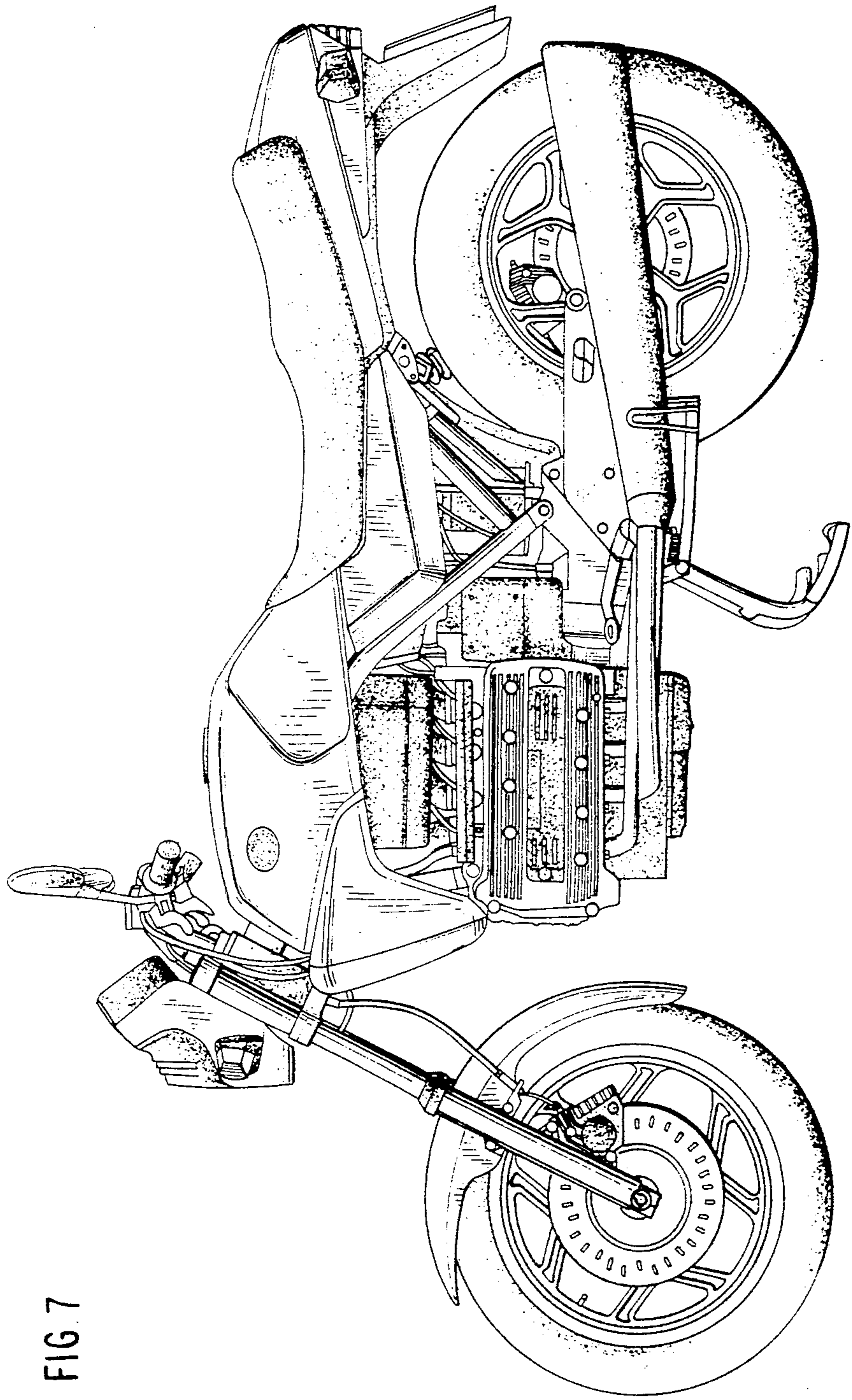


FIG. 7