

[54] MATERIAL HARDNESS TESTER OR SIMILAR ARTICLE

[75] Inventors: Ernest L. Biddle, Jr., Rosemont; Henry W. Wessells, III, Paoli, both of Pa.

[73] Assignee: King Tester Corporation, King of Prussia, Pa.

[**] Term: 14 Years

[21] Appl. No.: 527,104

[22] Filed: Aug. 29, 1983

[52] U.S. Cl. D10/46; D10/83

[58] Field of Search D10/46, 83; 73/81, 83

[56] References Cited

U.S. PATENT DOCUMENTS

- D. 178,060 6/1956 Karol D10/83
- D. 223,174 3/1972 Pettavel D10/46
- 1,646,195 10/1927 German 73/81

- 2,319,208 5/1943 Clark 73/83
- 2,418,916 4/1947 Weaver 73/81
- 2,535,830 12/1950 Beck 73/81 X
- 2,804,769 9/1957 Clark, Sr. 73/81
- 3,102,417 9/1963 Chambers 73/81
- 3,478,568 11/1969 Borgersen 73/81

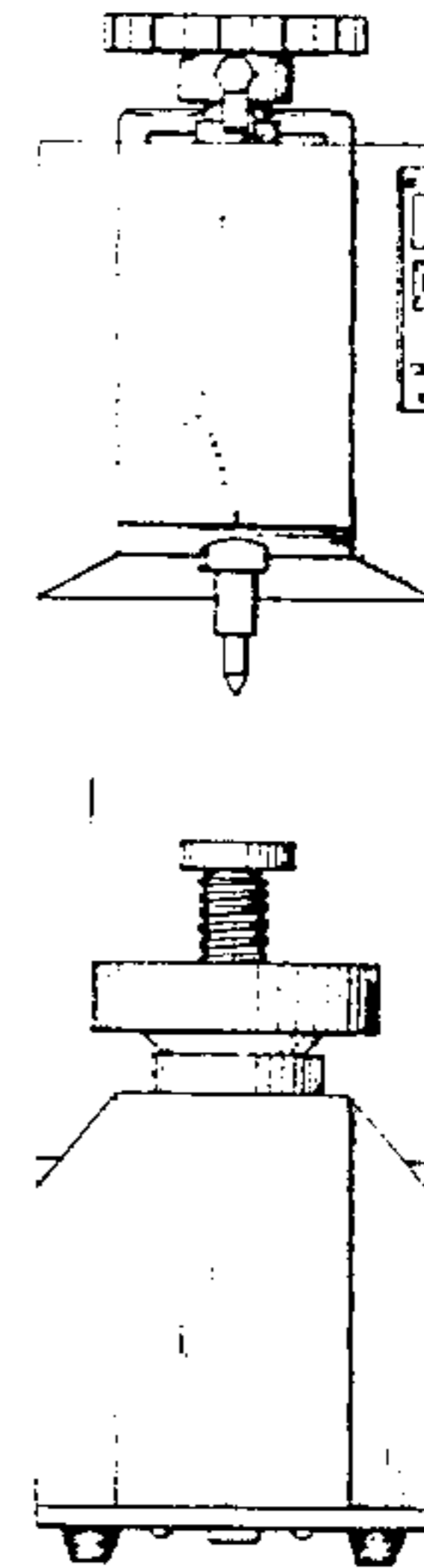
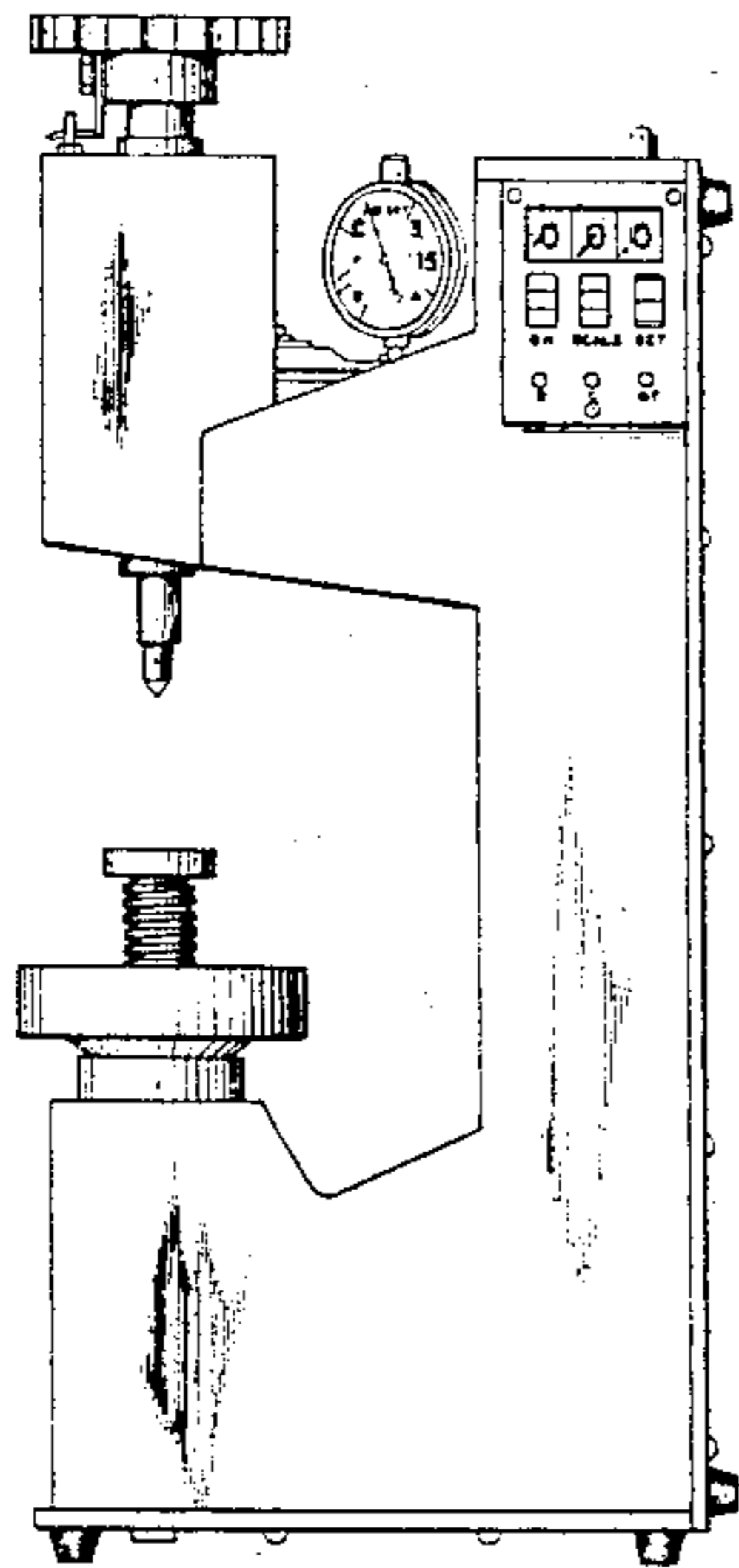
Primary Examiner—Carmen H. Vales
Attorney, Agent, or Firm—Austin R. Miller

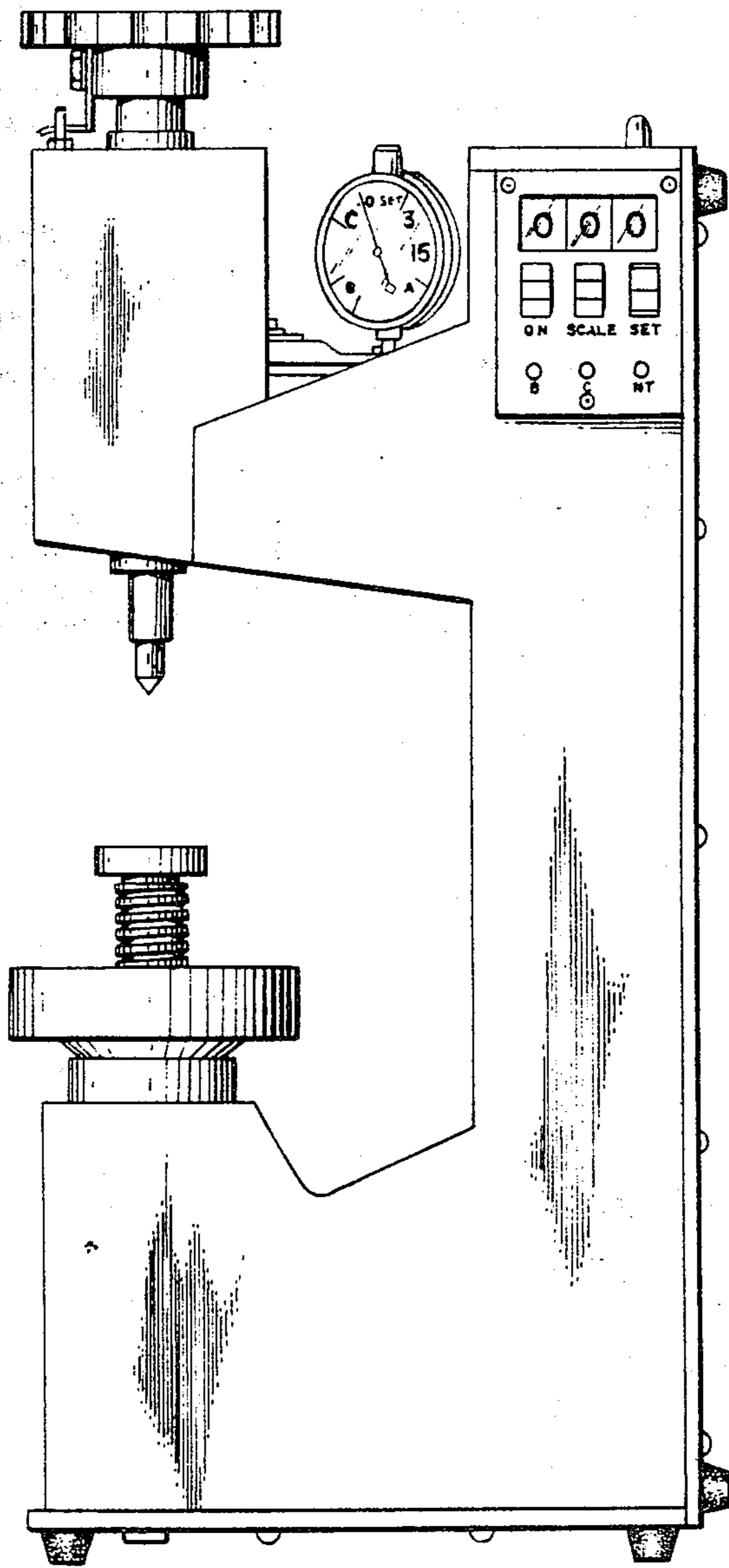
[57] CLAIM

The ornamental design for a material hardness tester or similar article, as shown.

DESCRIPTION

FIG. 1 is a right side elevational view of a material hardness tester or similar article showing our new design;
 FIG. 2 is a left side elevational view thereof;
 FIG. 3 is a front elevational view thereof;
 FIG. 4 is a rear elevational view thereof;
 FIG. 5 is a top plan view thereof; and
 FIG. 6 is a bottom plan view thereof.





F I G. I.

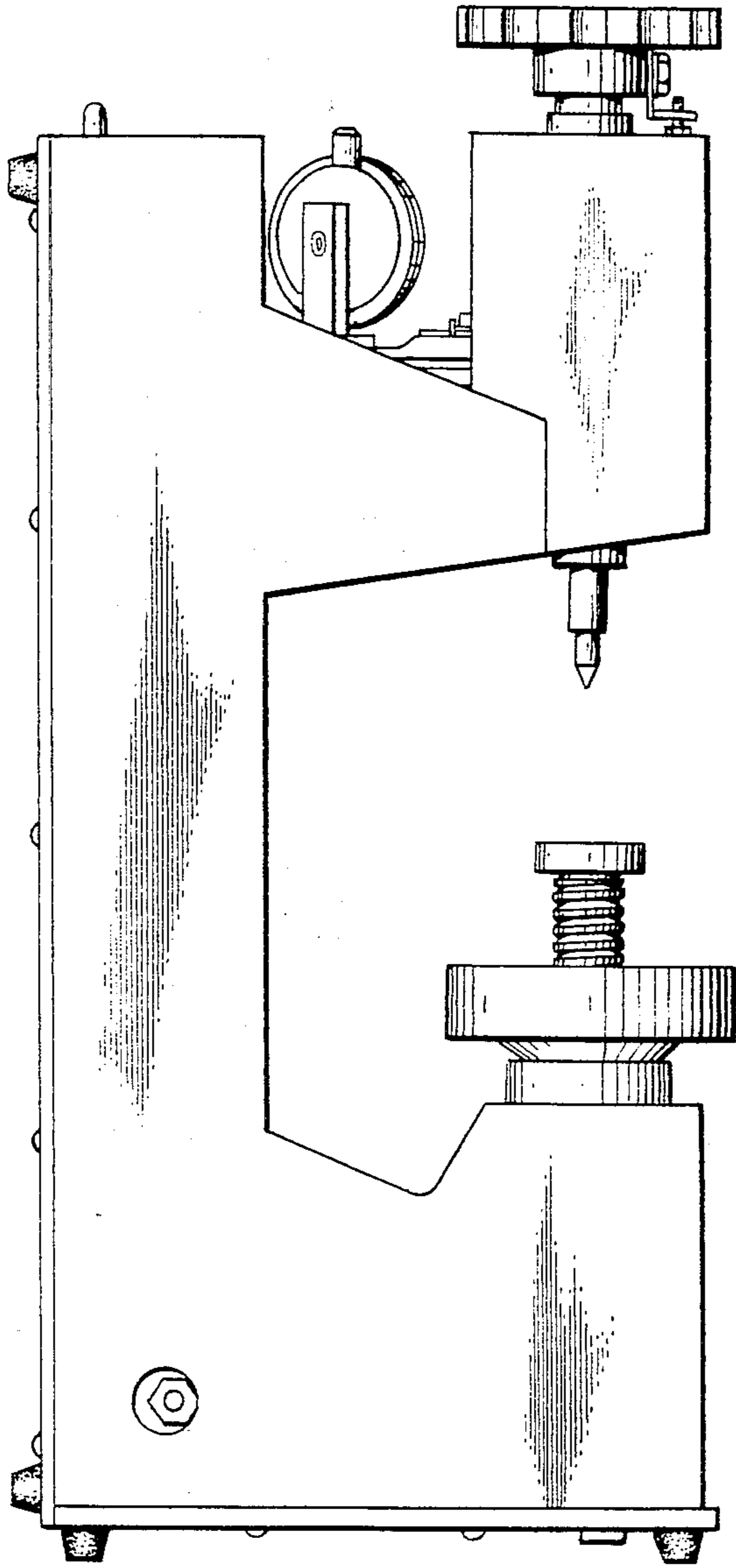


FIG. 2.

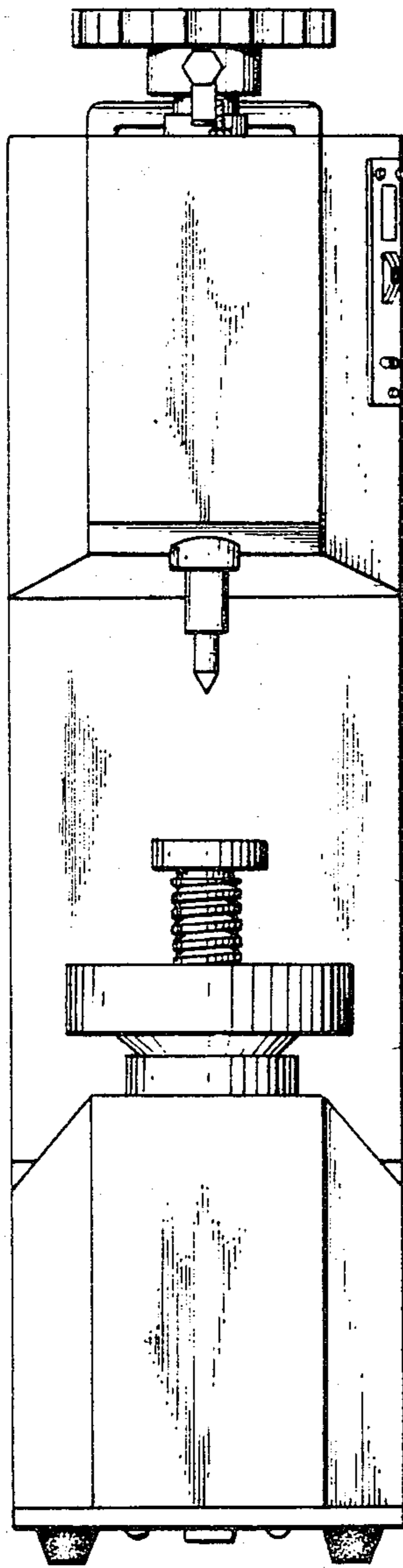


FIG. 3.

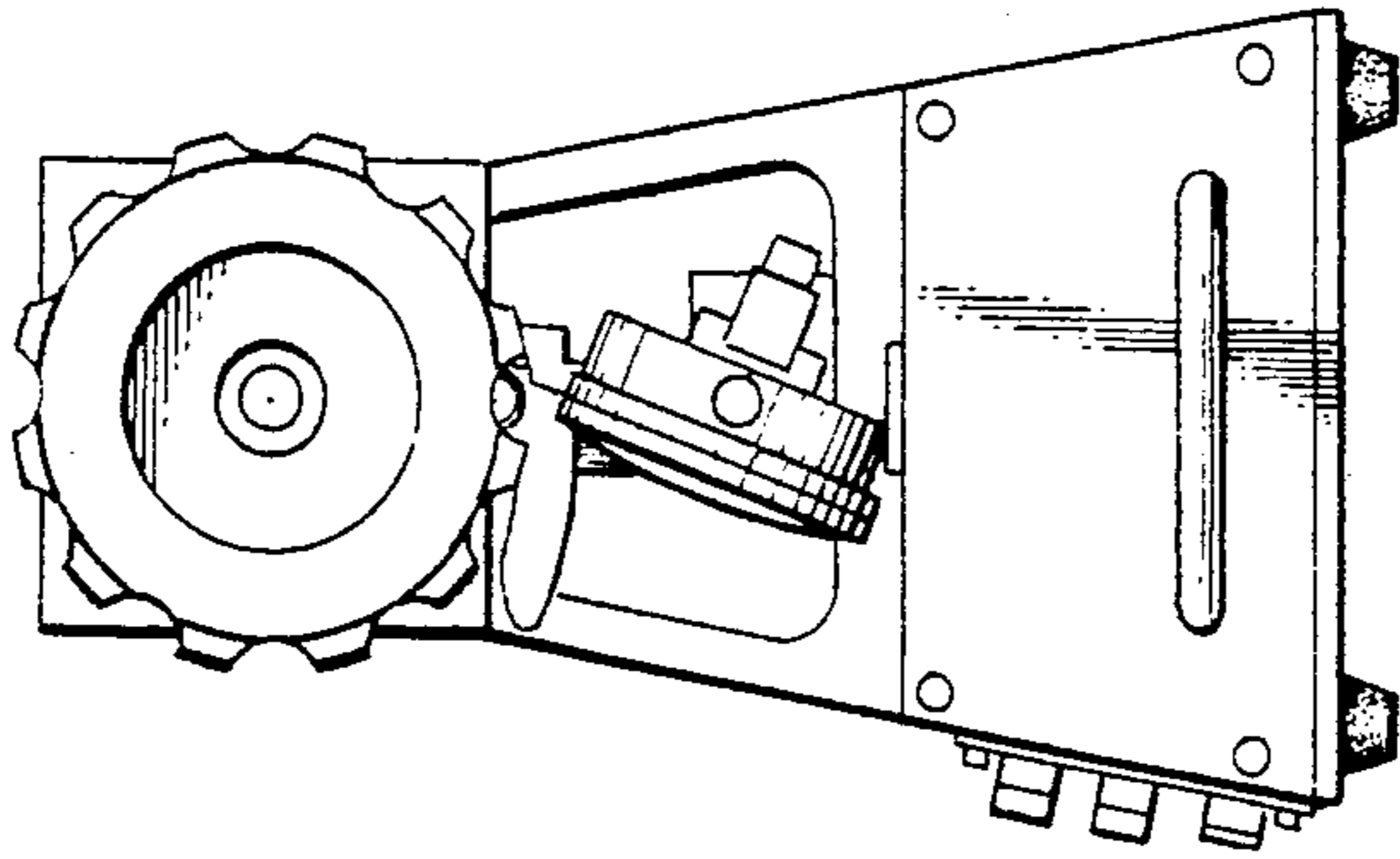


FIG. 5.

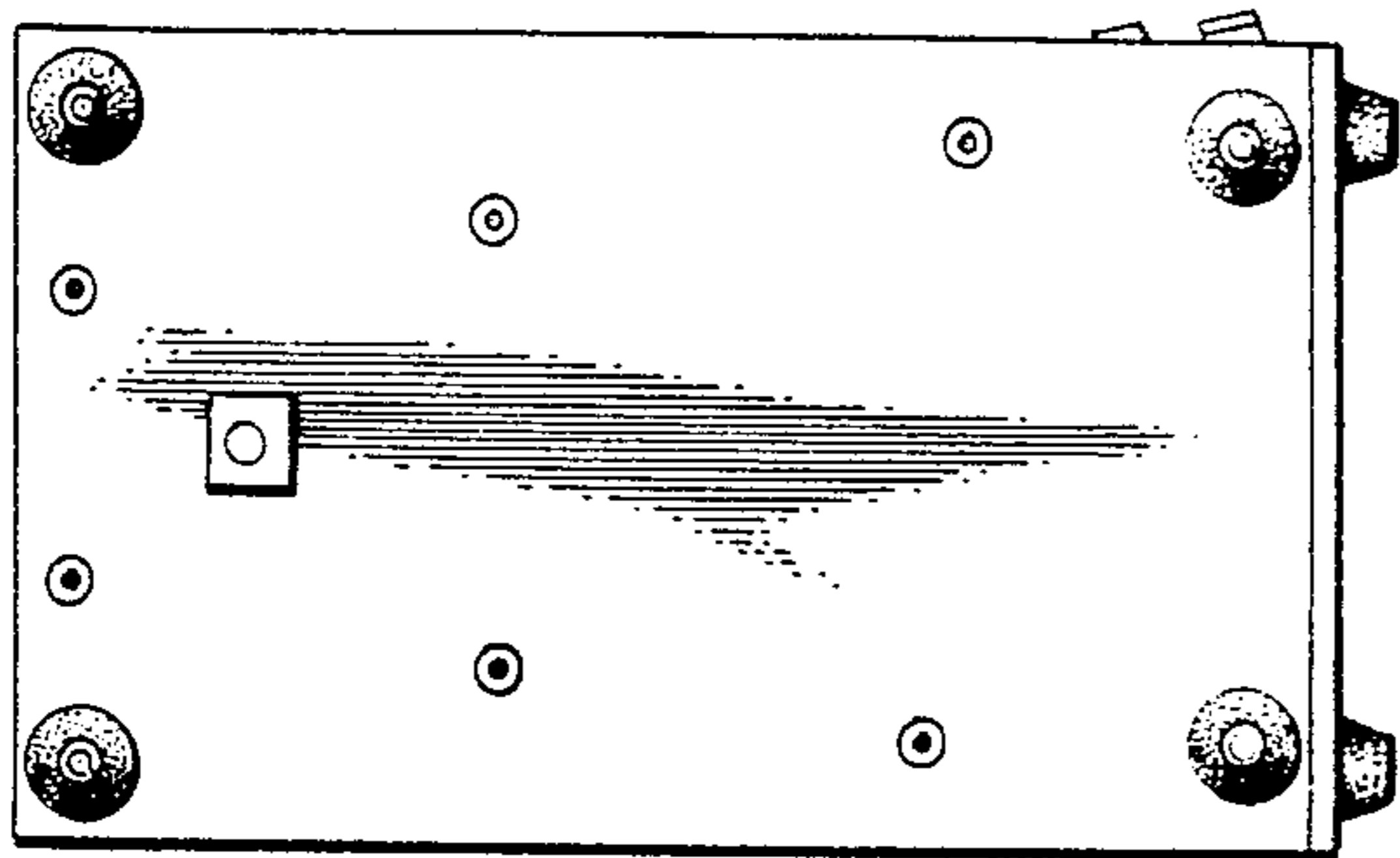


FIG. 6.

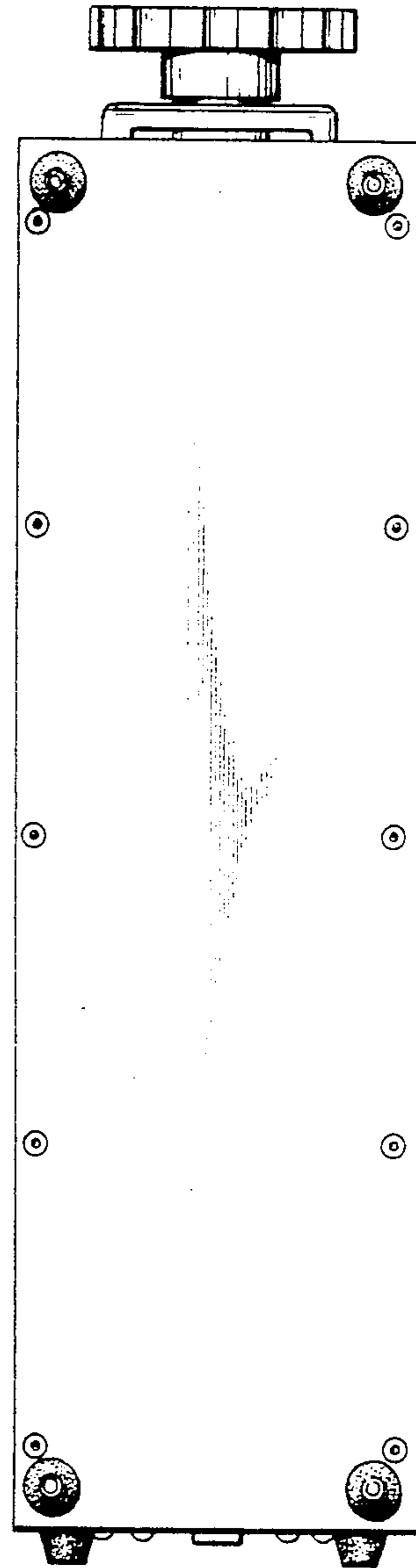


FIG. 4.