

[54] LOW PROFILE PANEL FASTENER

[75] Inventor: Kenneth A. Swanstrom, Buckingham Township, Bucks County, Pa.

[73] Assignee: Penn Engineering & Manufacturing Corp., Danboro, Pa.

[\*\*] Term: 14 Years

[21] Appl. No.: 542,042

[22] Filed: Oct. 14, 1983

[52] U.S. Cl. .... D8/387; D8/382

[58] Field of Search ..... D8/382, 387; 411/347, 411/349, 352

[56] References Cited

U.S. PATENT DOCUMENTS

3,346,032	10/1967	Gulistan	411/349
3,437,119	4/1969	Dey	411/349
3,465,803	9/1969	Ernest et al.	411/349

FOREIGN PATENT DOCUMENTS

0766082	8/1967	Canada	411/347
---------	--------	--------	---------

OTHER PUBLICATIONS

Southco Fastener Cat., ©1967, p. 4, Knurled Insert No. 71.

Primary Examiner—B. J. Bullock  
Attorney, Agent, or Firm—Gregory J. Gore

[57] CLAIM

The ornamental design for a low profile panel fastener, as shown and described.

DESCRIPTION

FIG. 1 is a top and front perspective view of the low profile panel fastener showing my new design, the screw being shown biased to its upwardmost position by the spring;

FIG. 2 is a front view thereof the back view thereof being substantially the same but with the spring appropriately sloped;

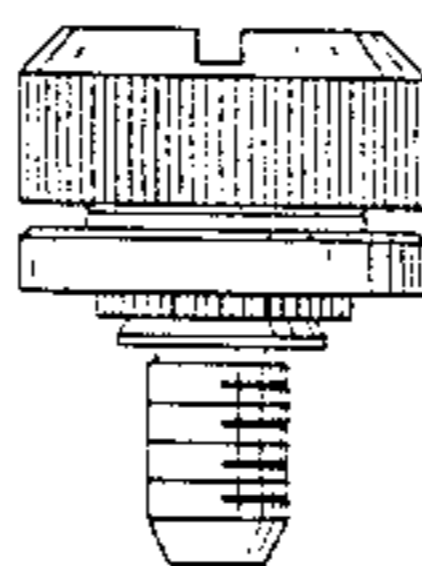
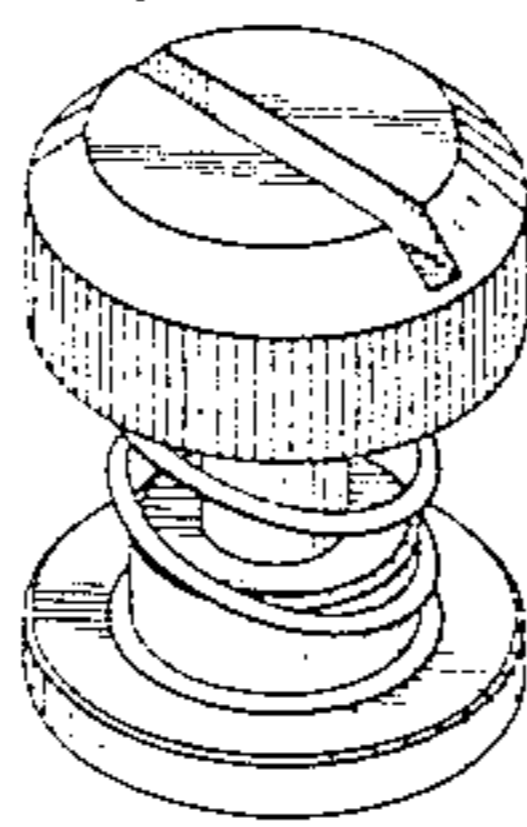
FIG. 3 is a righthand side view thereof, the lefthand side view thereof being substantially the same except for the bottom termination of the spring;

FIG. 4 is a view similar to FIG. 2, but showing the screw fully seated against the retainer;

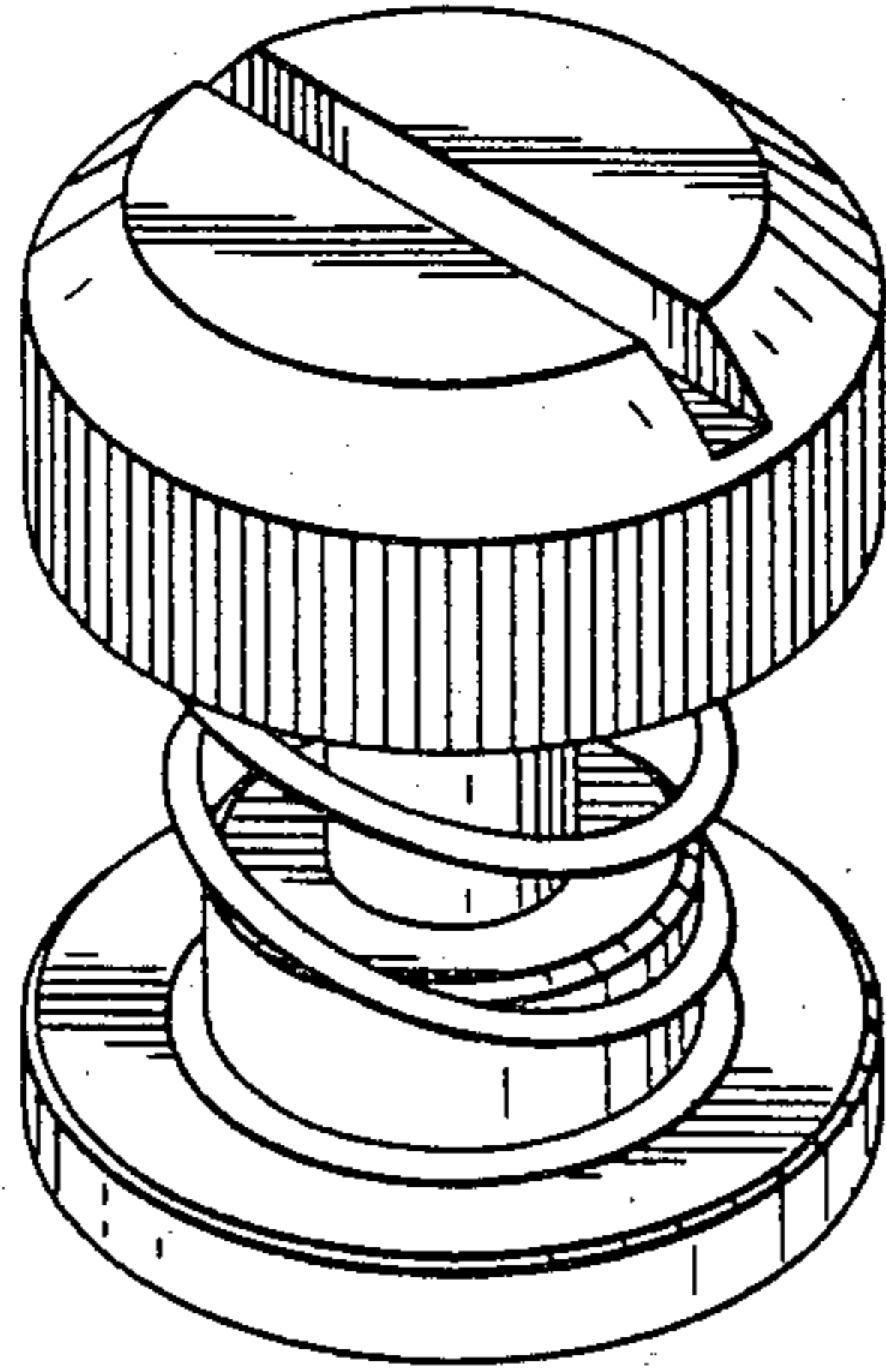
FIG. 5 is a top view thereof;

FIG. 6 is a bottom view thereof; and

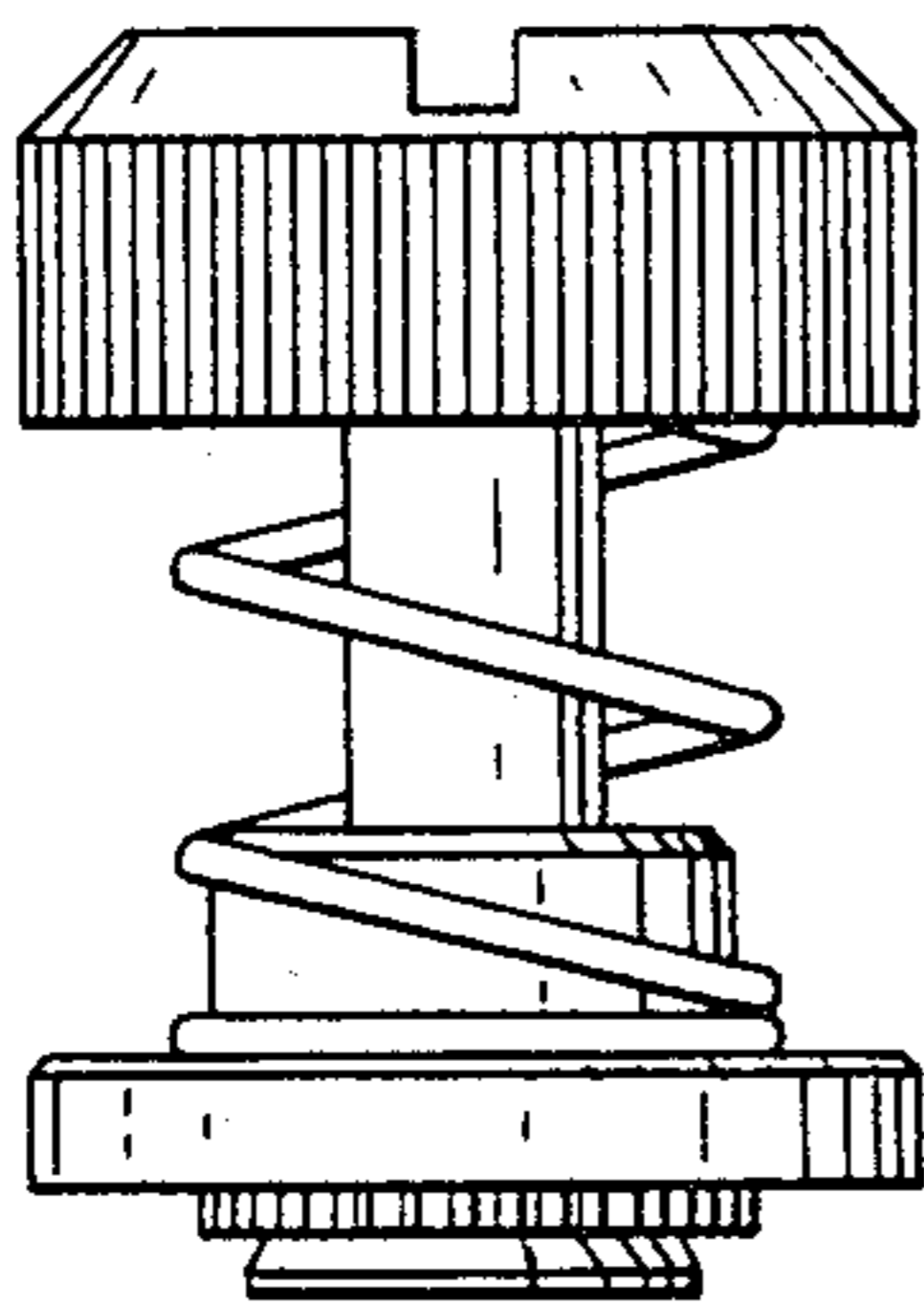
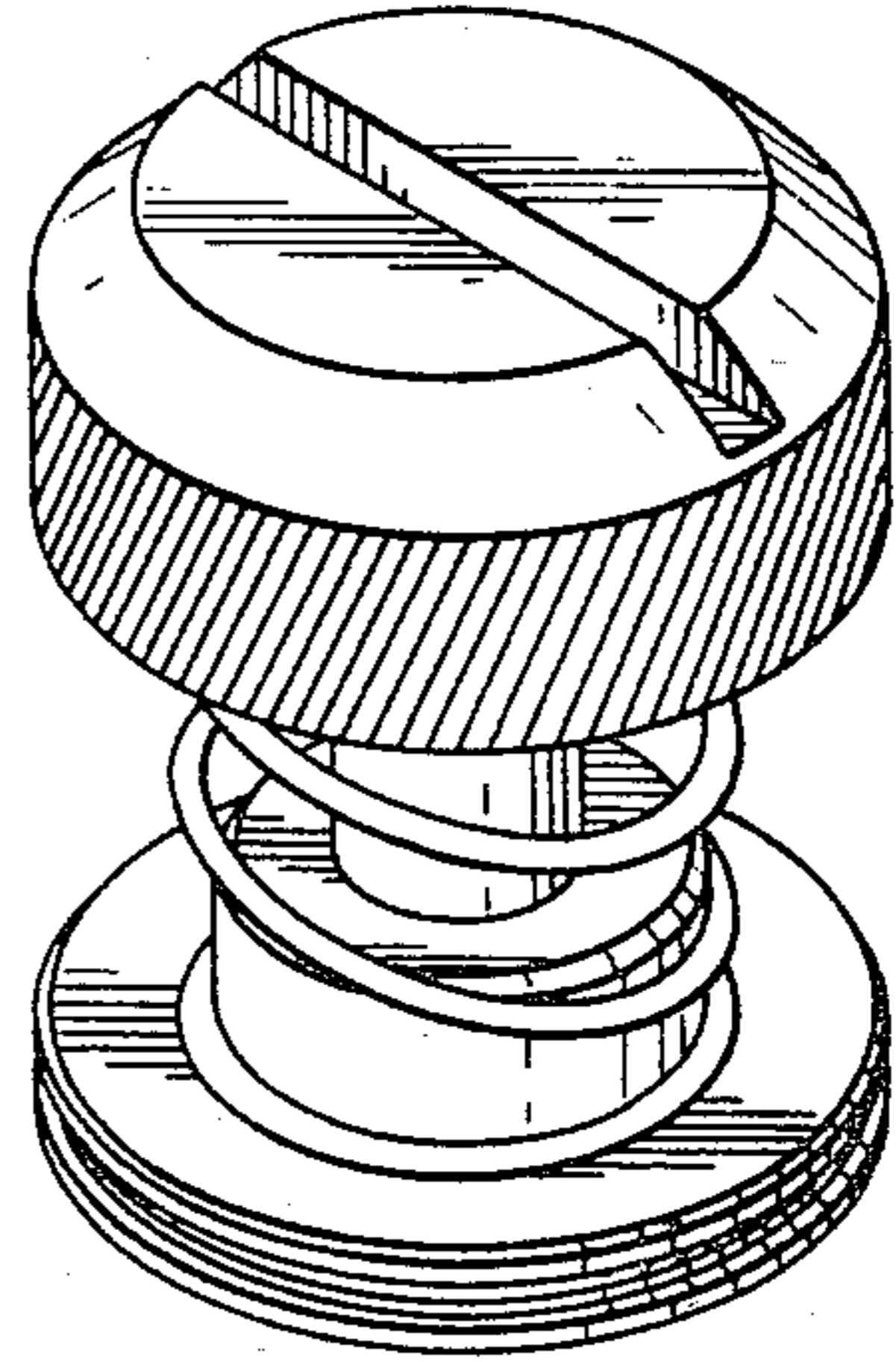
FIG. 7 is a top and front perspective view of a second embodiment of the design of FIG. 1, the only differences being the angled knurl and the annular groove around the retainer.



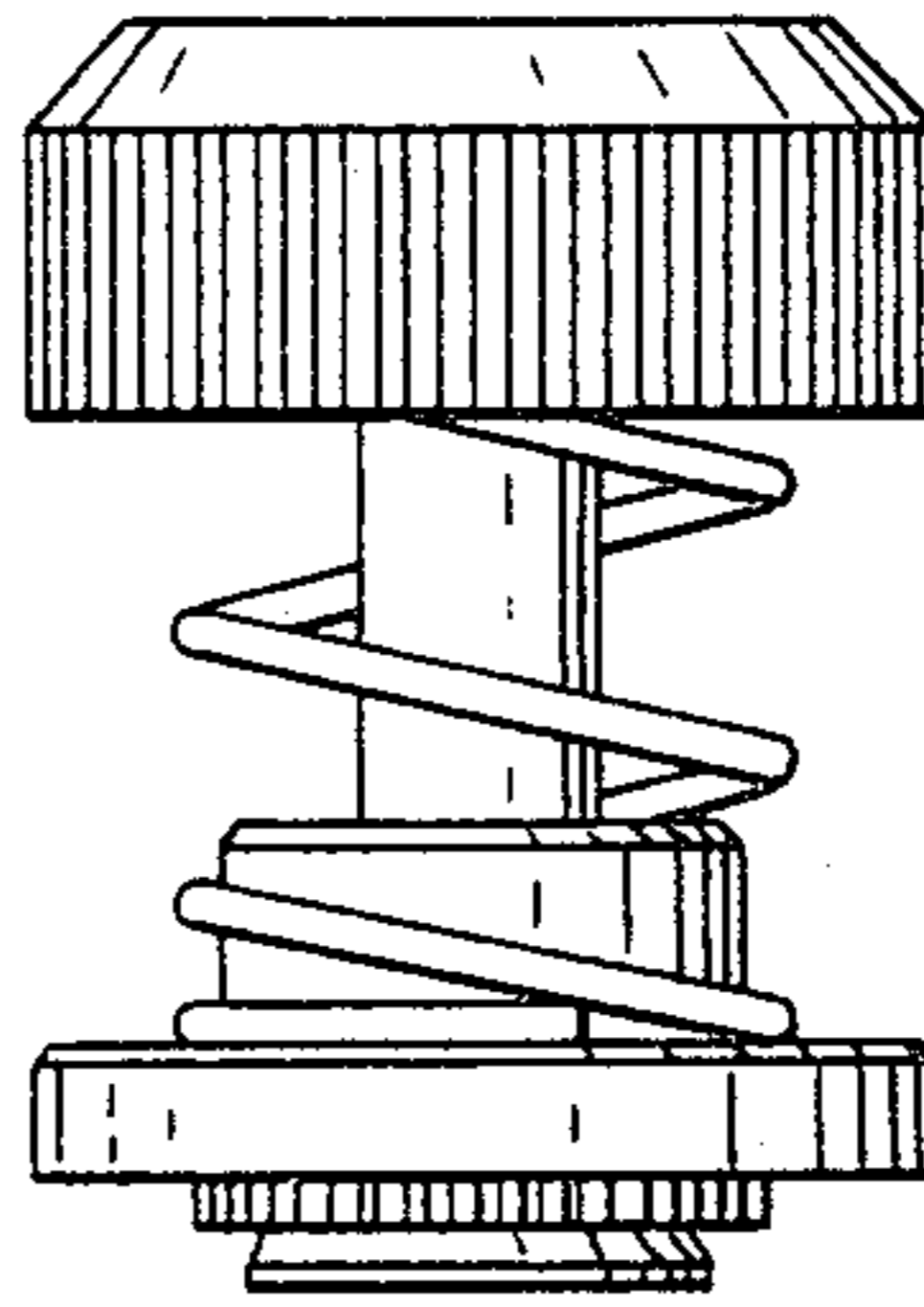
*FIG. 1*



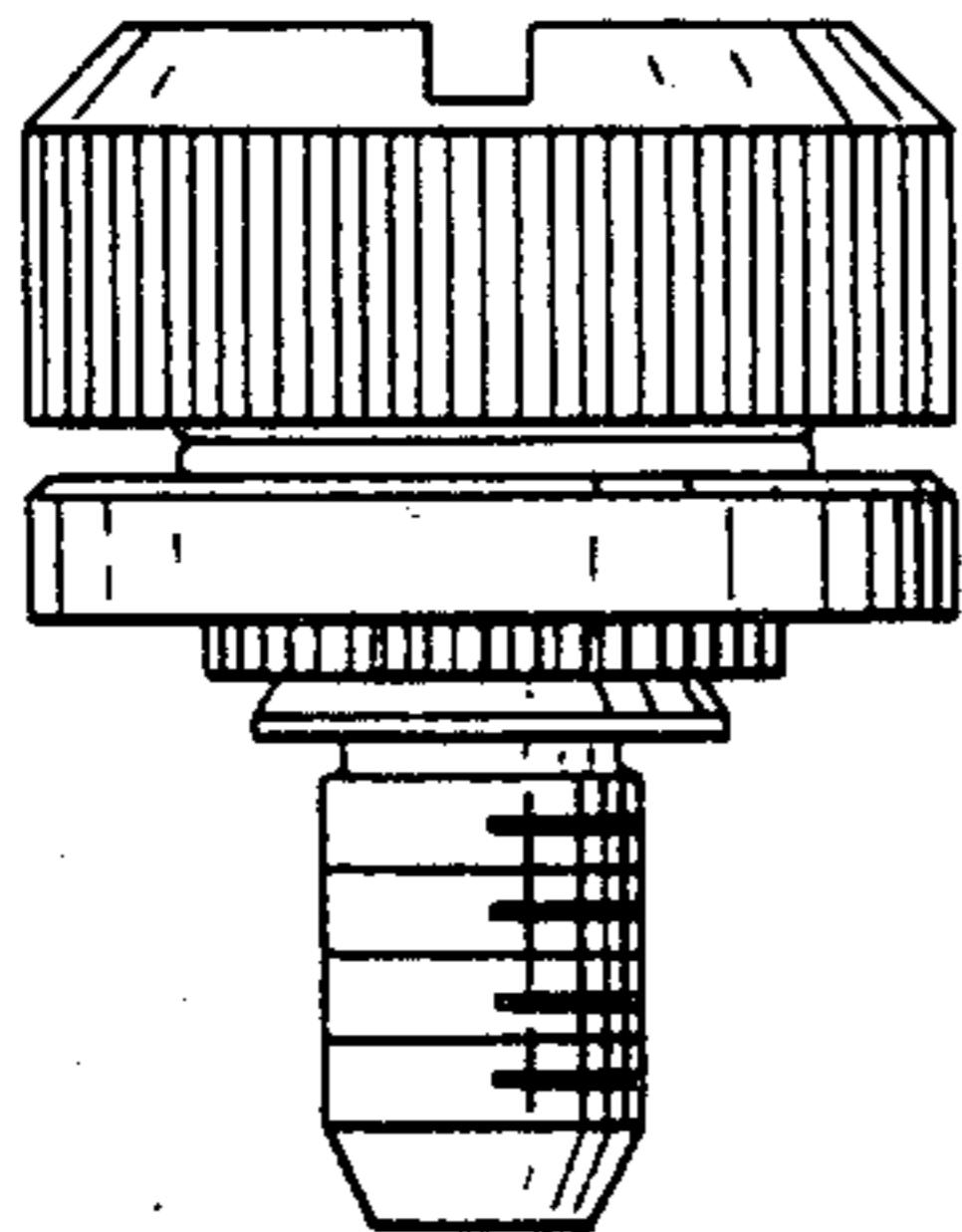
*FIG. 7*



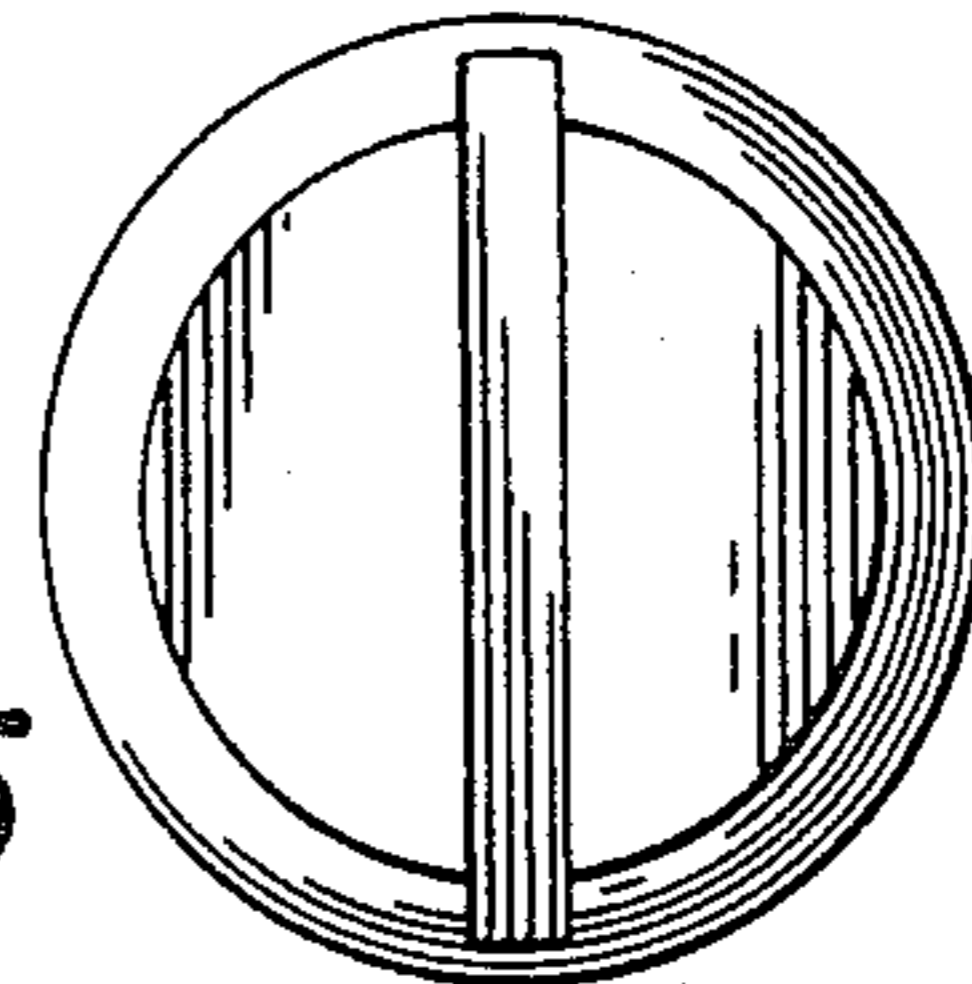
*FIG. 2*



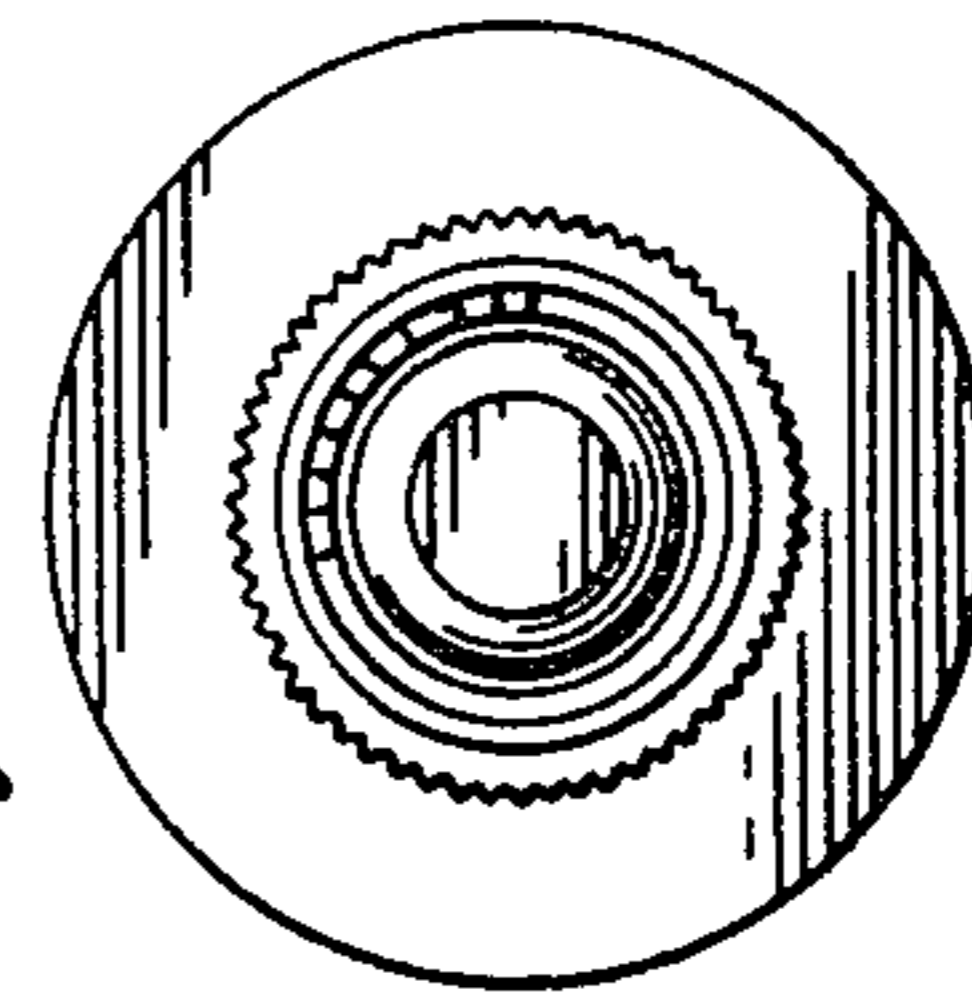
*FIG. 3*



*FIG. 4*



*FIG. 5*



*FIG. 6*