

United States Patent [19]

Ibaraki

[11] Patent Number: **Des. 283,590**

[45] Date of Patent: **** Apr. 29, 1986**

[54] **AUTOMOBILE BUFFER**

[75] Inventor: **Howard T. Ibaraki**, Hacienda Heights, Calif.

[73] Assignee: **Mr. Gasket Company**, Cleveland, Ohio

[**] Term: **14 Years**

[21] Appl. No.: **521,183**

[22] Filed: **Aug. 8, 1983**

[52] U.S. Cl. **D8/62; D8/67**

[58] Field of Search **D8/61, 62, 67, 69; 15/22 R, 22 A, 28; 51/119, 170, 177**

[56] **References Cited**

U.S. PATENT DOCUMENTS

- D. 252,731 8/1979 Parise D8/62
- D. 254,231 2/1980 Burglin et al. D8/62

- D. 262,185 12/1981 Huber et al. D8/67
- D. 264,797 6/1982 Burglin et al. D8/62
- D. 273,079 3/1984 Ibaraki D8/62

Primary Examiner—Catherine E. Kemper
Attorney, Agent, or Firm—Roylance, Abrams, Berdo & Goodman

[57] **CLAIM**

The ornamental design for an automobile buffer, as shown and described.

DESCRIPTION

FIG. 1 is a top plan view of an automobile buffer, showing my new design;
FIG. 2 is a side elevational view thereof;
FIG. 3 is an elevational view of the opposite side thereof;
FIG. 4 is a front elevational view thereof;
FIG. 5 is a rear elevational view thereof;
FIG. 6 is a bottom plan view thereof.

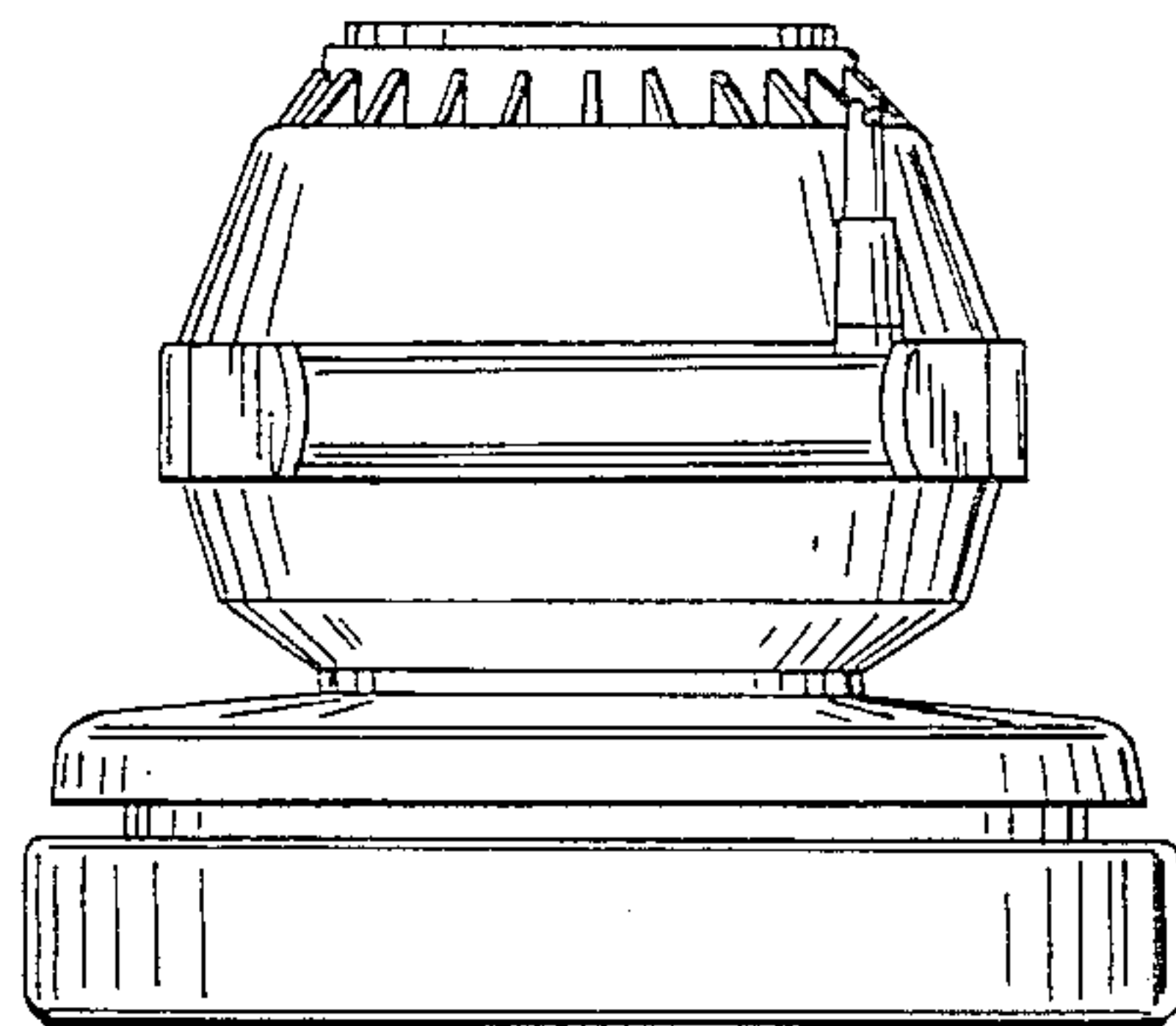
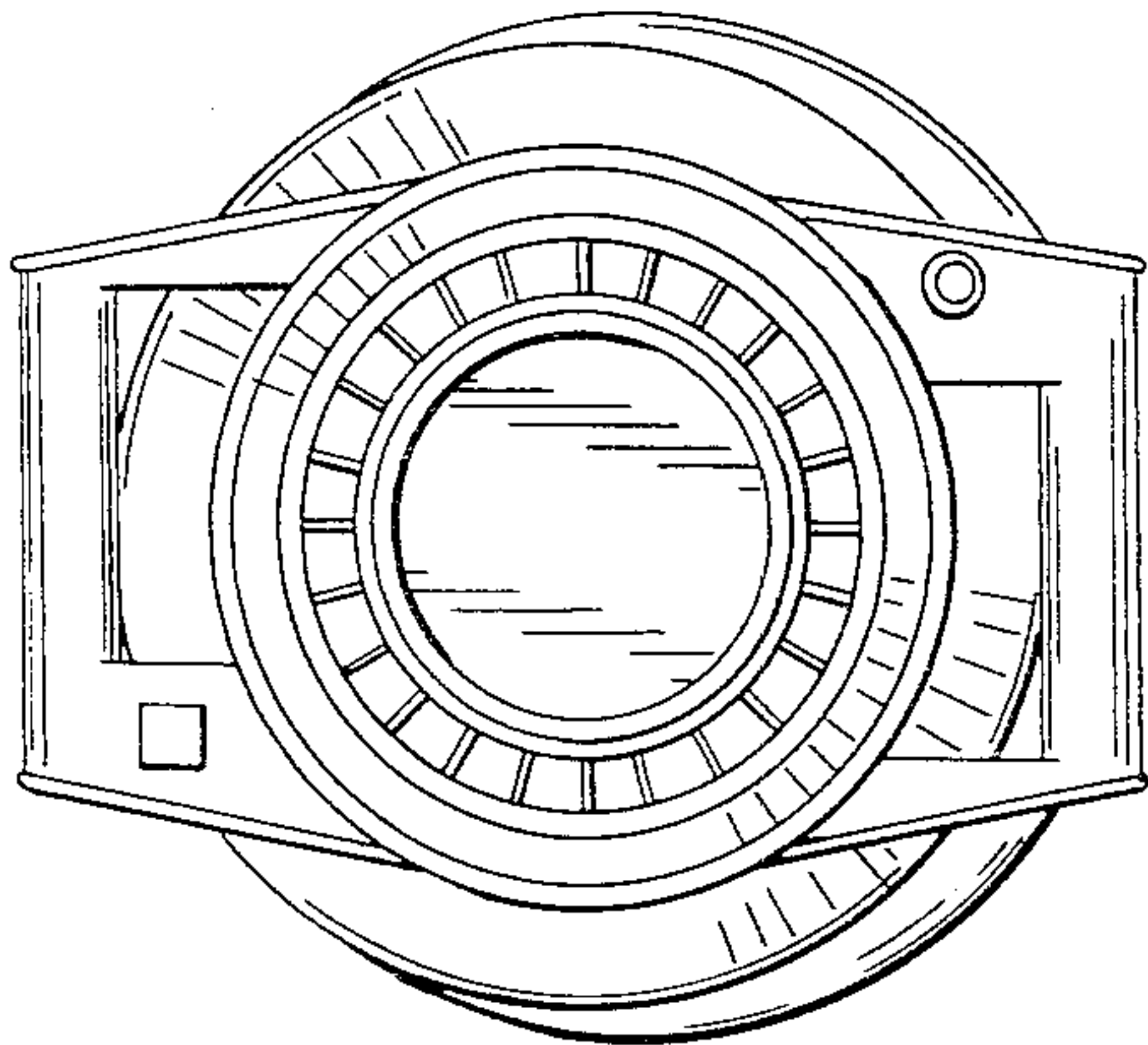


FIG. 1

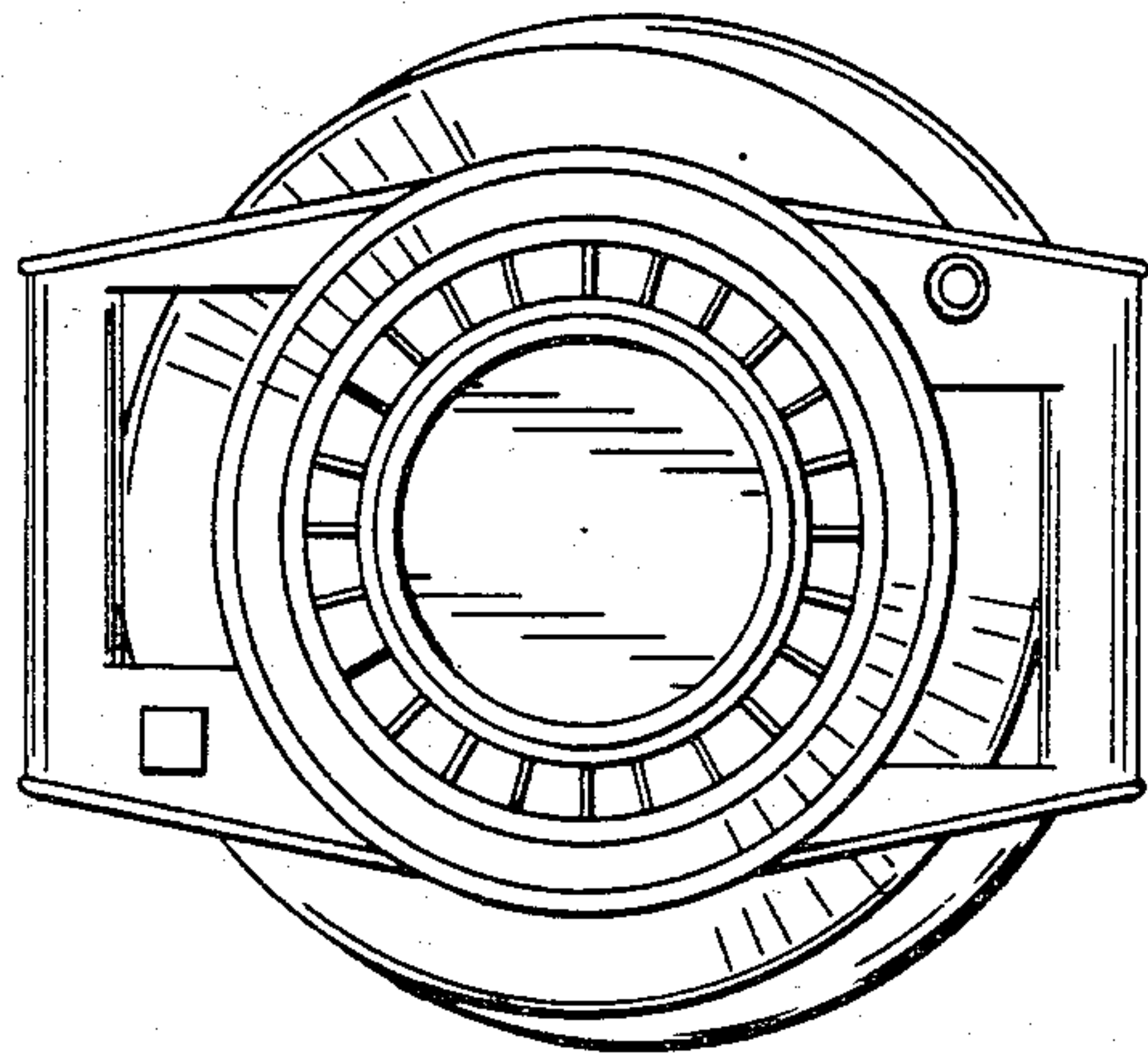


FIG. 2

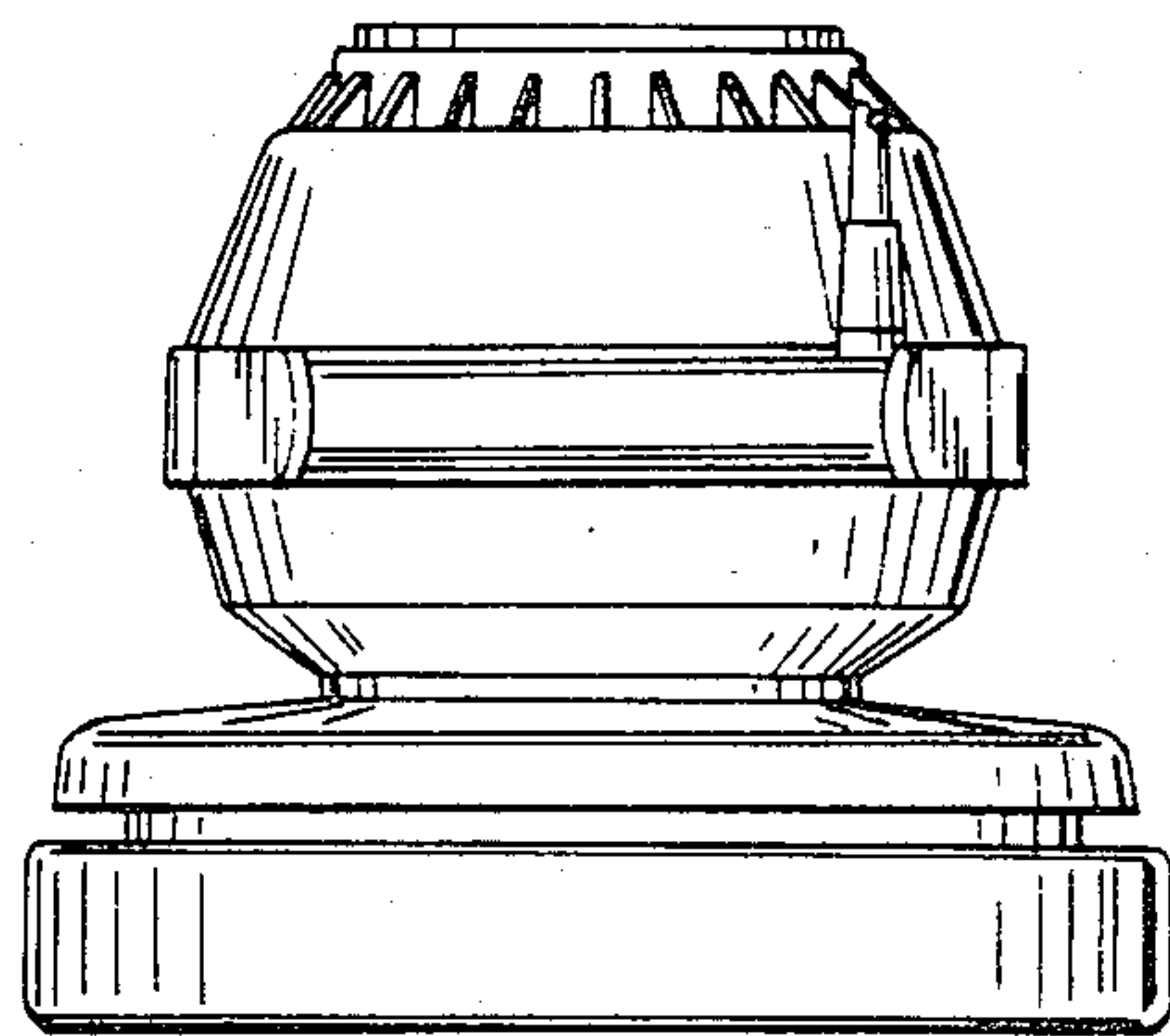


FIG. 3

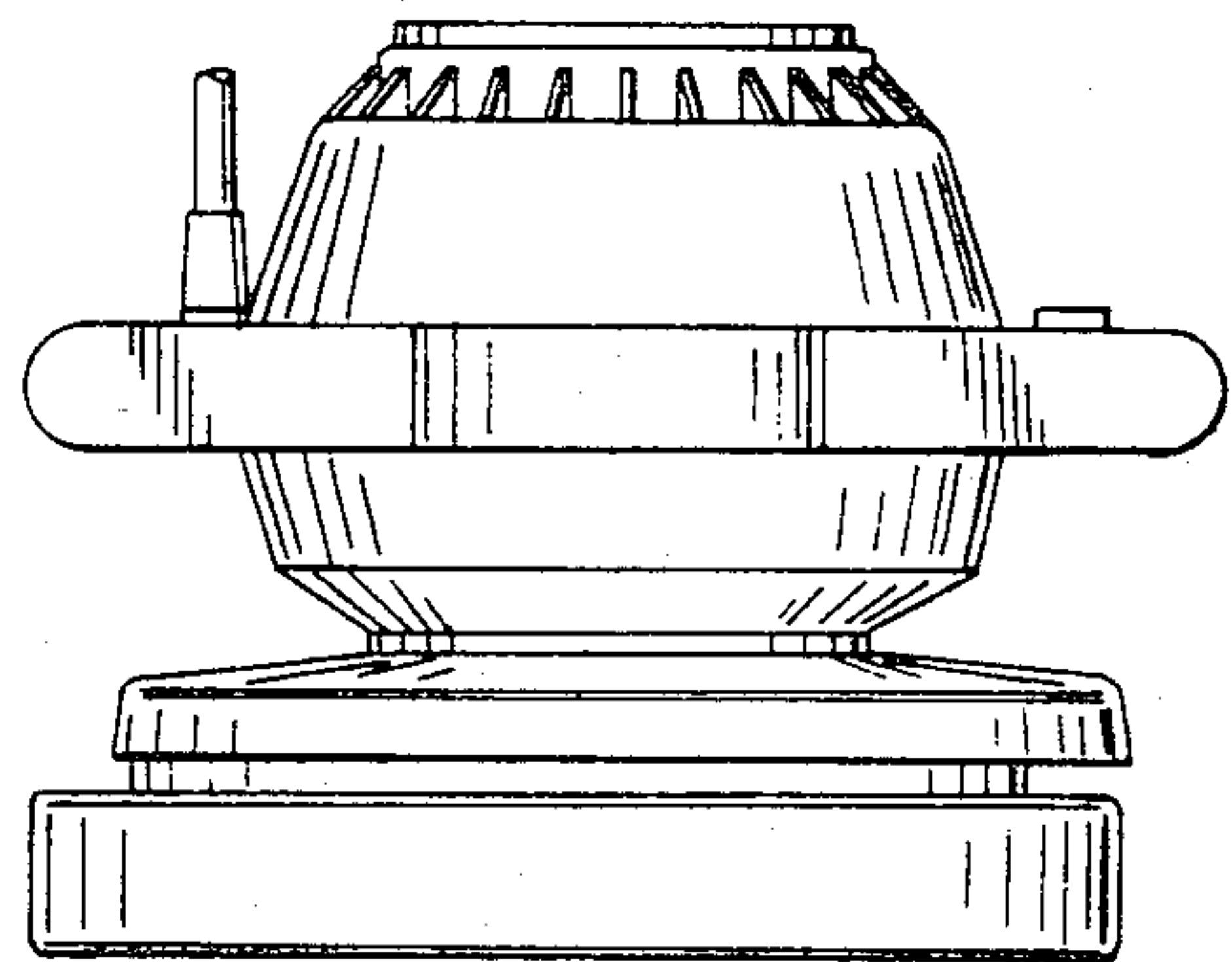
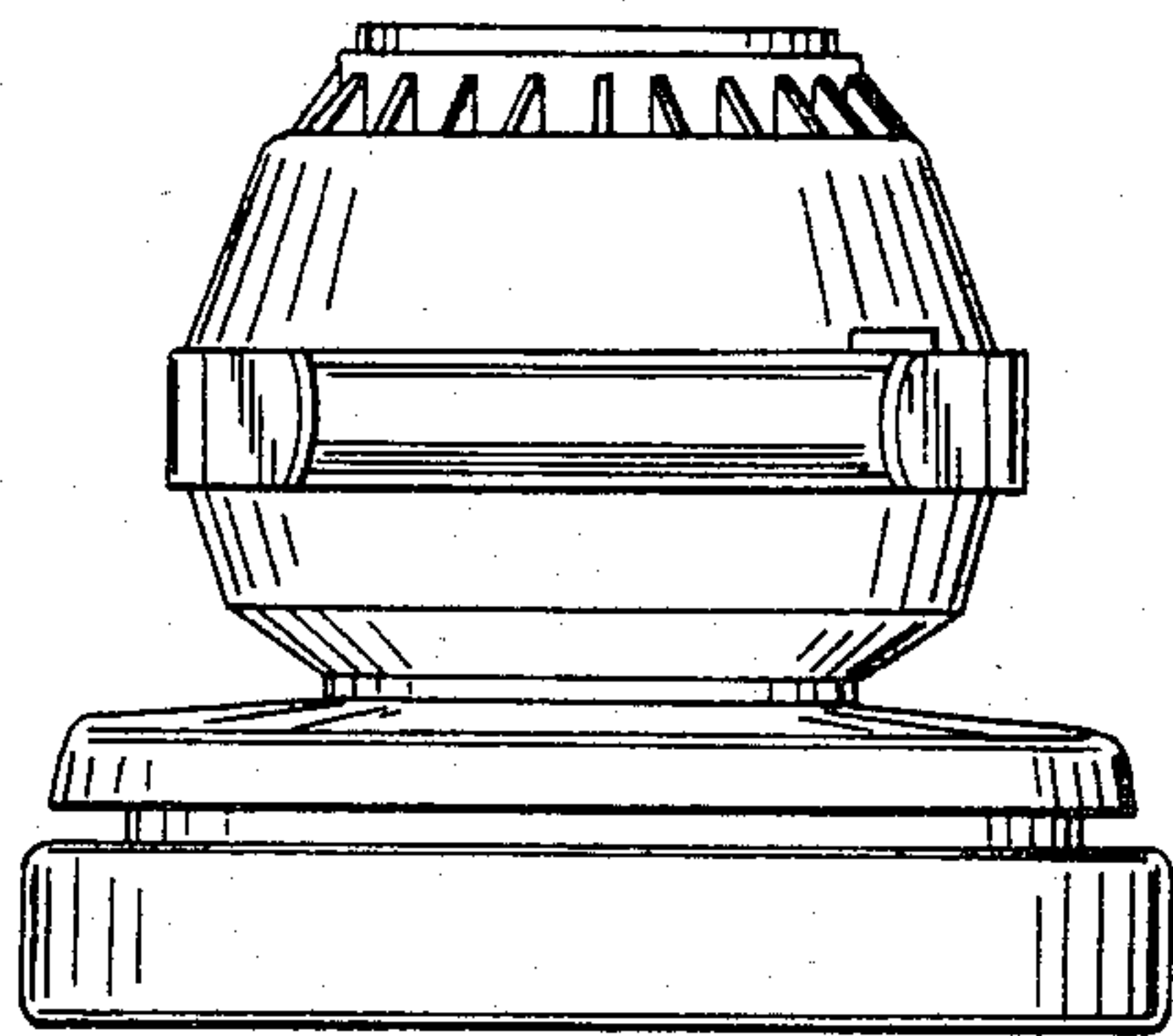


FIG. 4

FIG. 5

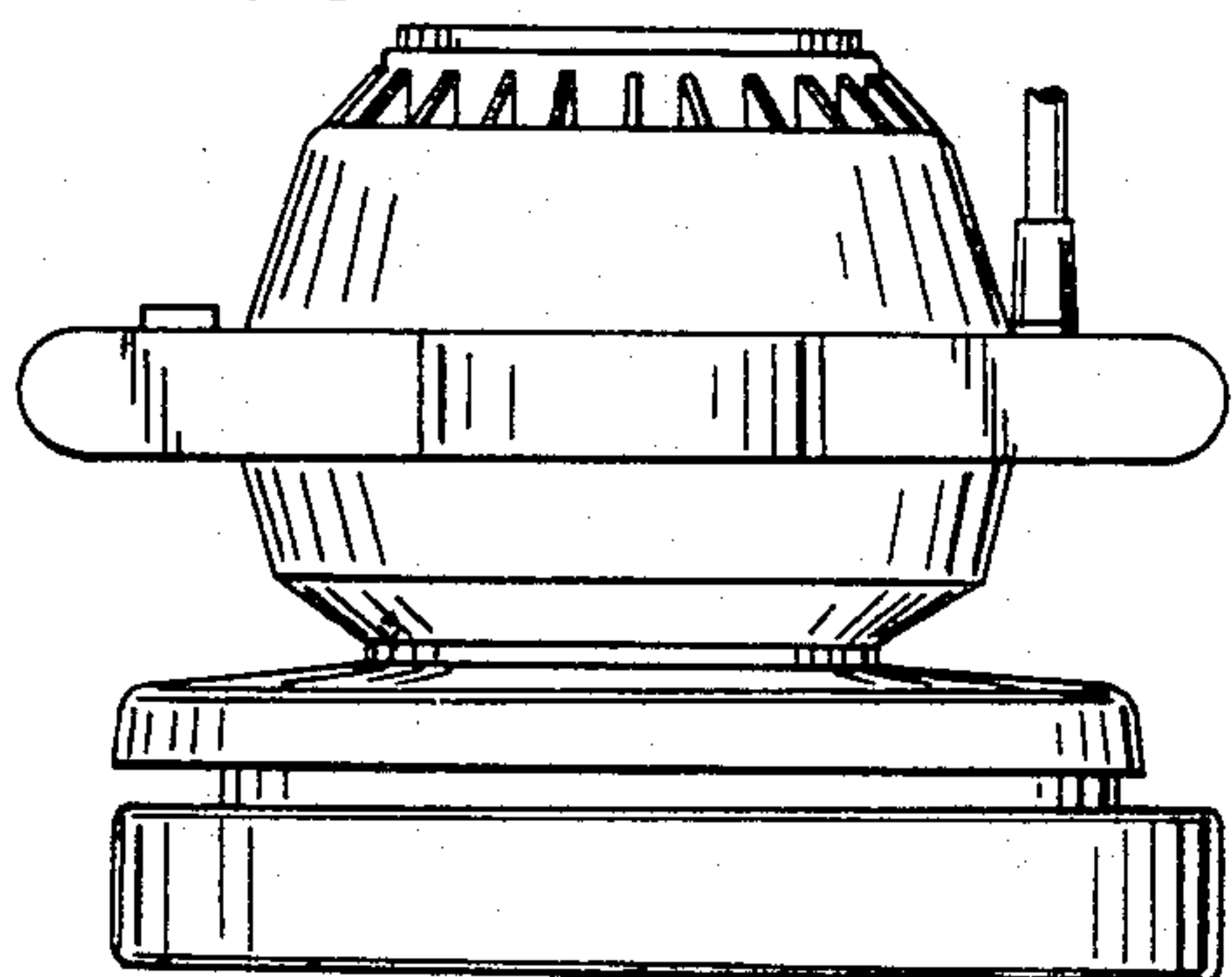
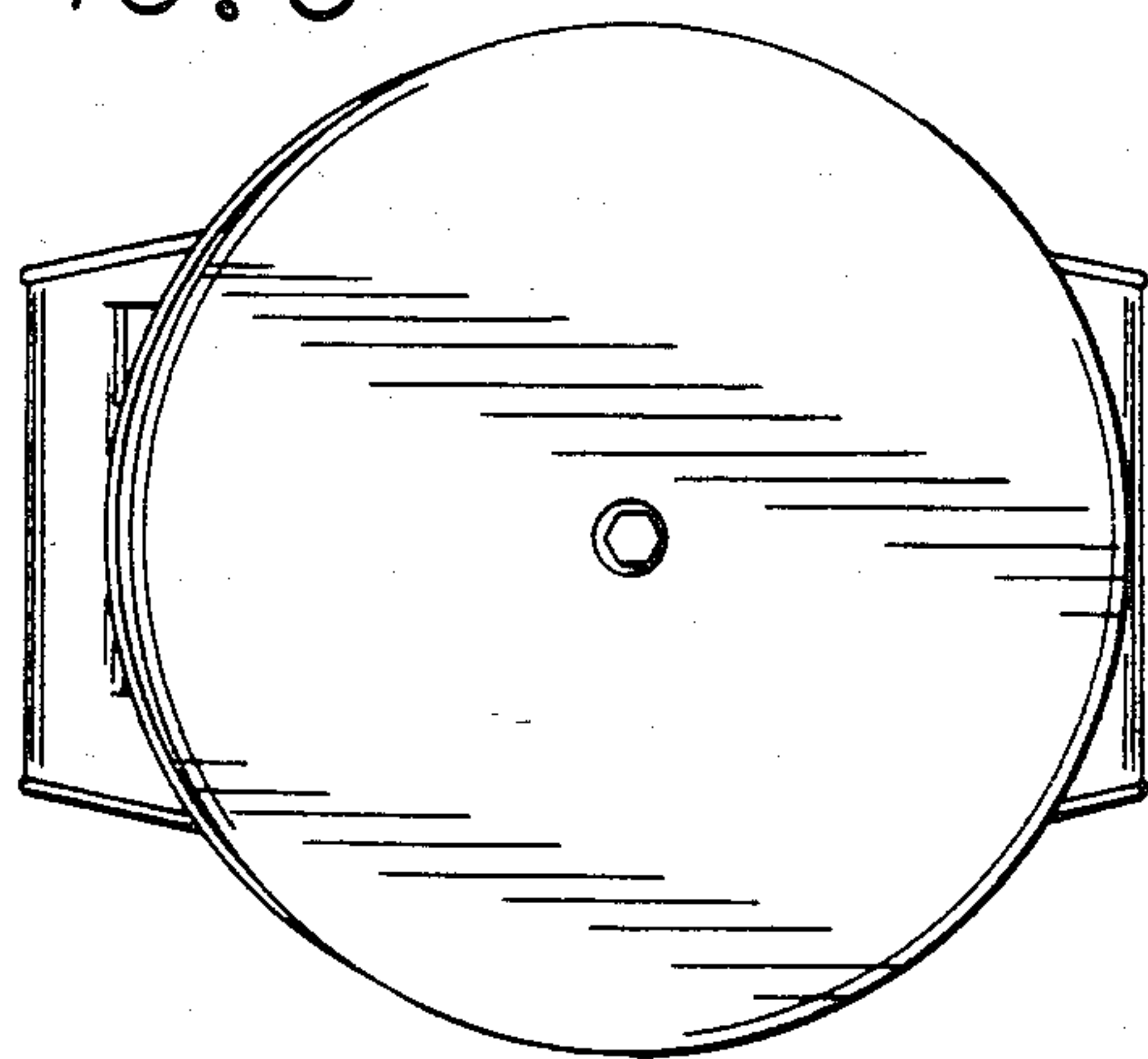


FIG. 6



Disclaimer

Des. 283,590.—*Howard T. Ibaraki*, Hacienda Heights, Calif. AUTOMOBILE BUFFER. Patent dated Apr. 29, 1986. Disclaimer filed Mar. 29, 1989, by the assignee, Mr. Gasket Co.

Hereby enters this disclaimer to the entire term of said patent.
[*Official Gazette May 9, 1989*]