

[54] FOOD PRODUCT ASSEMBLY TABLE

[75] Inventors: John A. Erlandson, Wichita, Kans.; Edward Engoron, Dallas, Tex.

[73] Assignee: Pizza Hut, Inc., Wichita, Kans.

[**] Term: 14 Years

[21] Appl. No.: 529,014

[22] Filed: Sep. 2, 1983

[52] U.S. Cl. D7/347; D6/432; D6/436; D6/437

[58] Field of Search D6/466, 467, 475, 476, D6/432, 433, 436, 437, 440, 481, 429; D7/347; 312/114, 116, 117, 126, 127, 128, 236, 250, 279

[56] References Cited

U.S. PATENT DOCUMENTS

D. 197,394	1/1964	Werner	D7/347
D. 200,280	2/1965	Payne	D7/347
D. 204,340	4/1966	Carvel	D6/436
D. 212,176	9/1968	Lambertson	D6/436 X
D. 263,664	4/1982	Workman	D6/437
D. 267,994	2/1983	Luzich	D6/436
1,697,294	1/1929	Summers	312/116 X
1,741,569	12/1929	Hindman	D7/347

1,850,193	3/1932	Zahner	D7/347
2,863,708	12/1958	Cahn	312/116 X

OTHER PUBLICATIONS

Thurmaduke Catalog, p. 9, Table at top of page. *Restaurants and Institutions*, May 1, 1982, p. 233, Serving Table on page.

Primary Examiner—Carmen H. Vales
Attorney, Agent, or Firm—William, Brinks, Olds, Hofer, Gilson & Lione, Ltd.

[57] CLAIM

The ornamental design for a food product assembly table, substantially as shown and described.

DESCRIPTION

FIG. 1 is a front perspective view of a food product assembly table showing our new design; FIG. 2 is a front elevational view thereof; FIG. 3 is a top plan view thereof; FIG. 4 is a left side elevational view thereof, showing the counter in the horizontal raised position; FIG. 5 is a right side elevational view thereof, showing the counter in a lowered position; and FIG. 6 is a rear elevational view thereof.

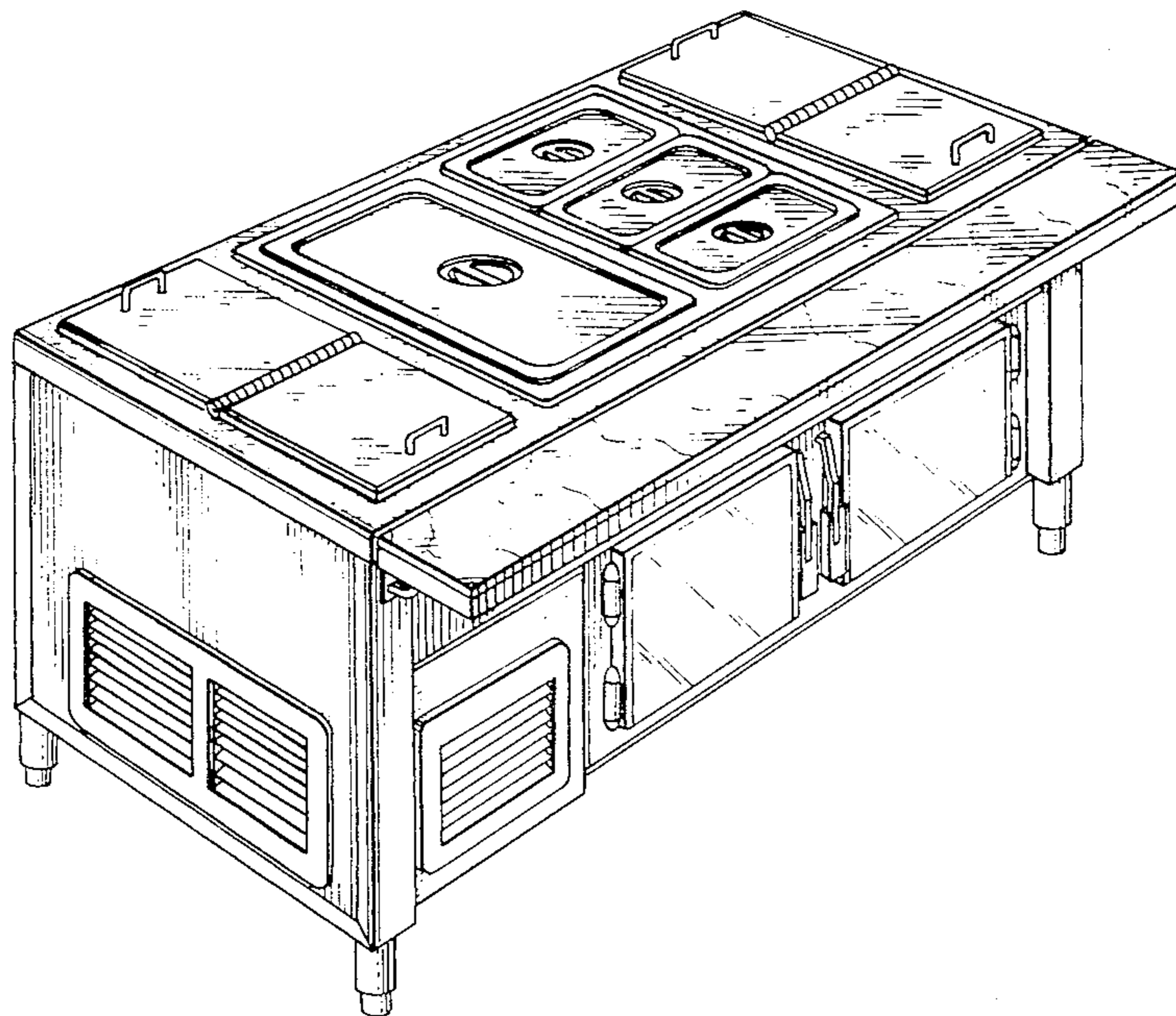


FIG. 1

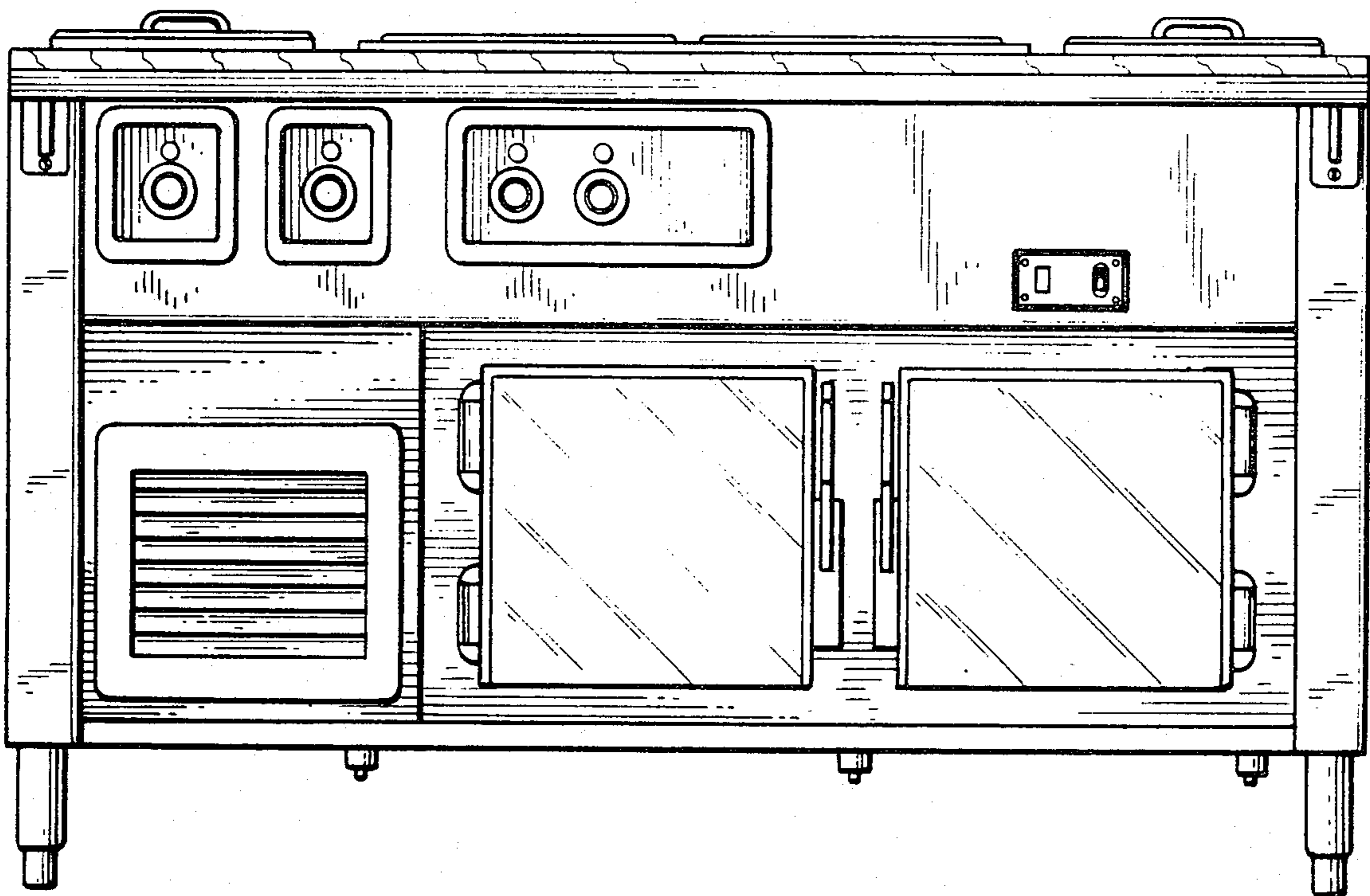
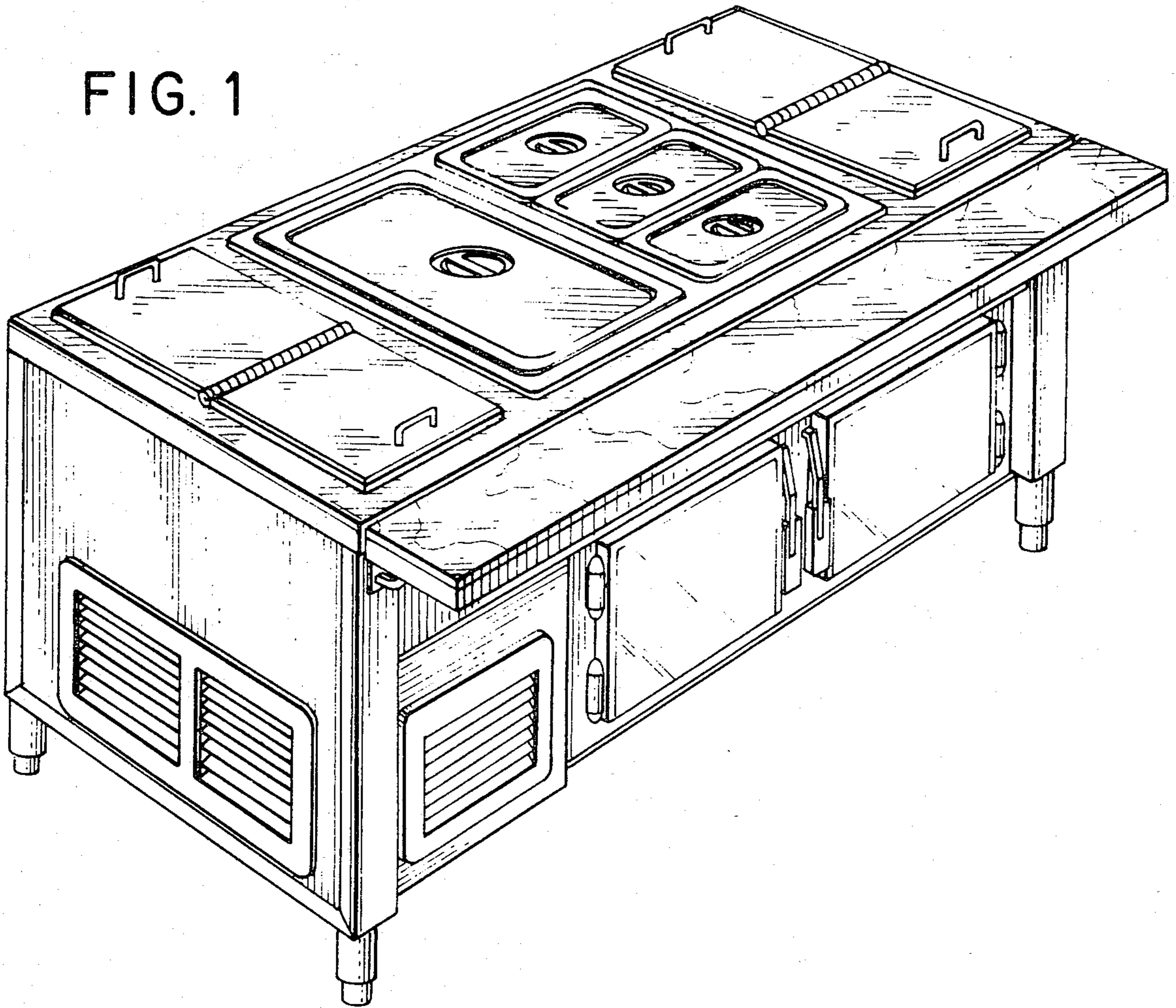


FIG. 2

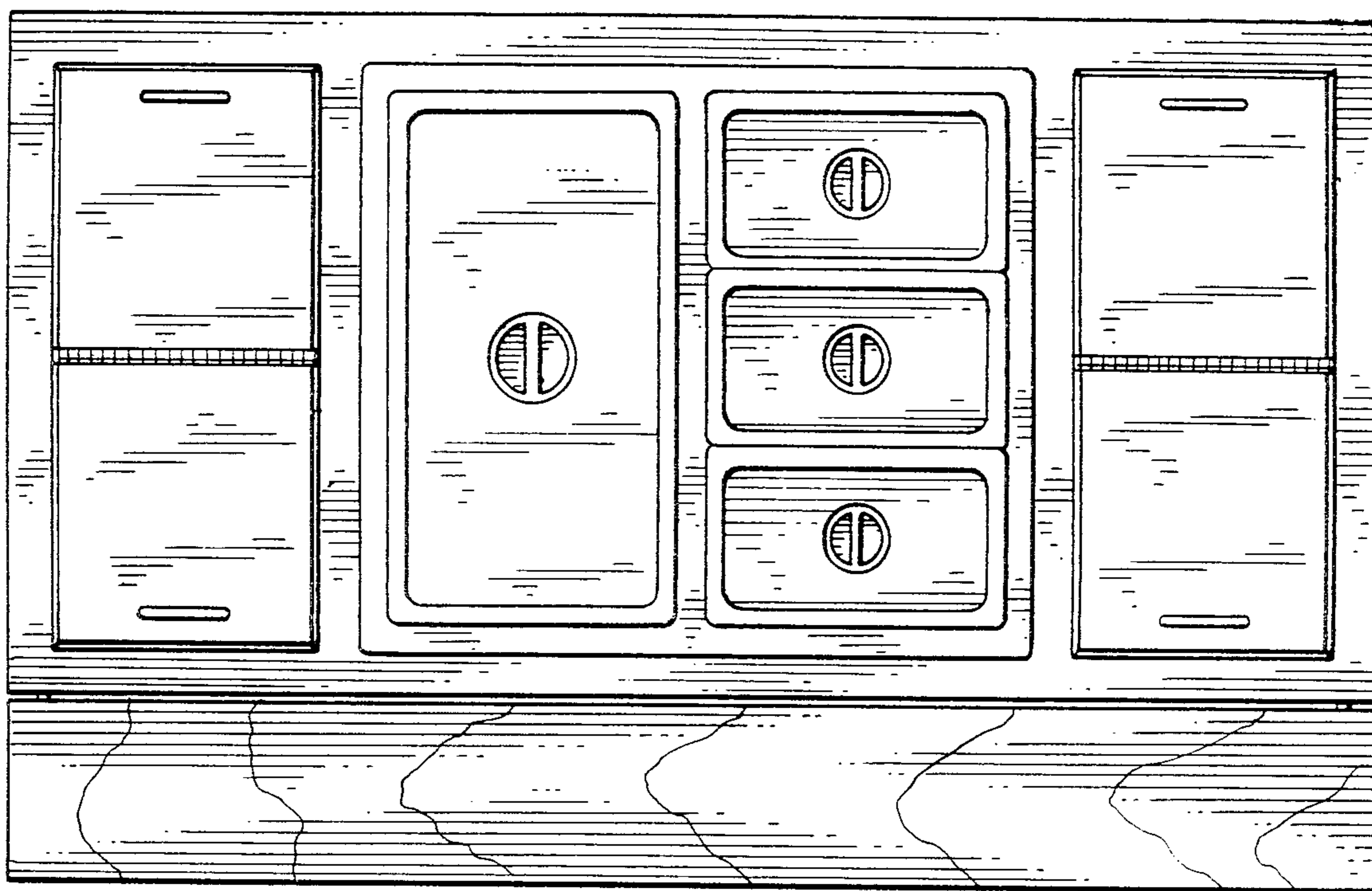


FIG. 3

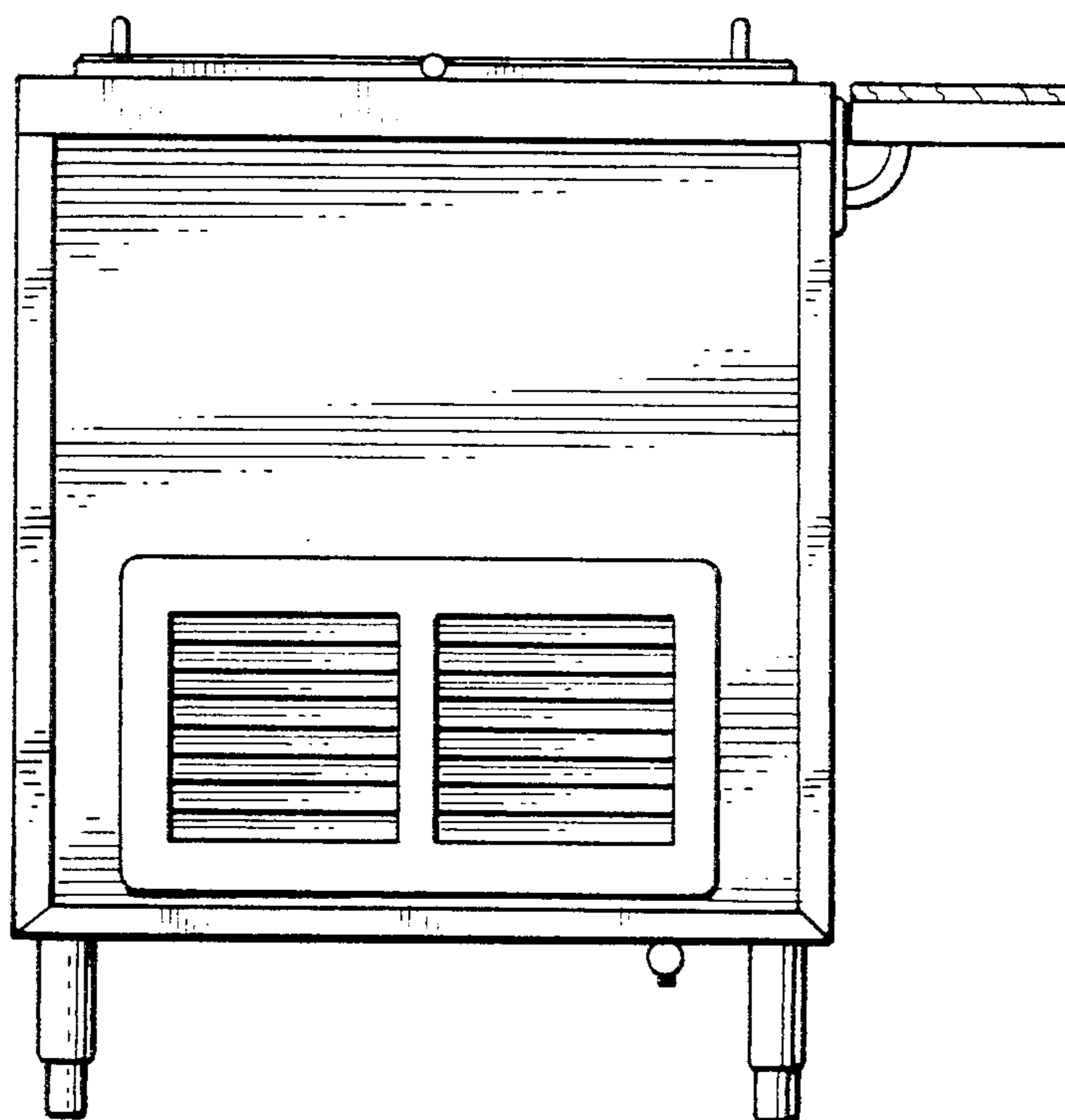


FIG. 4

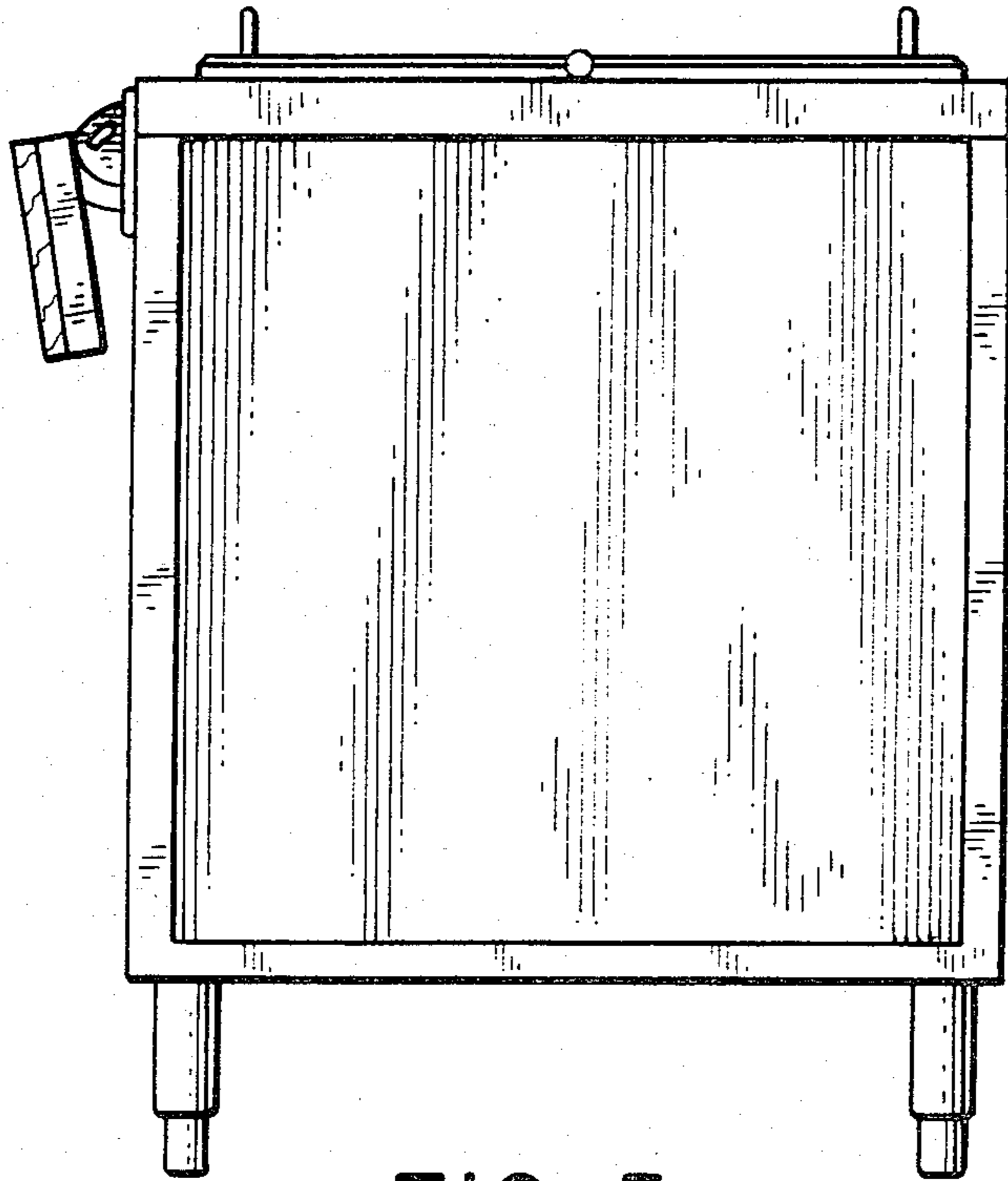


FIG. 5

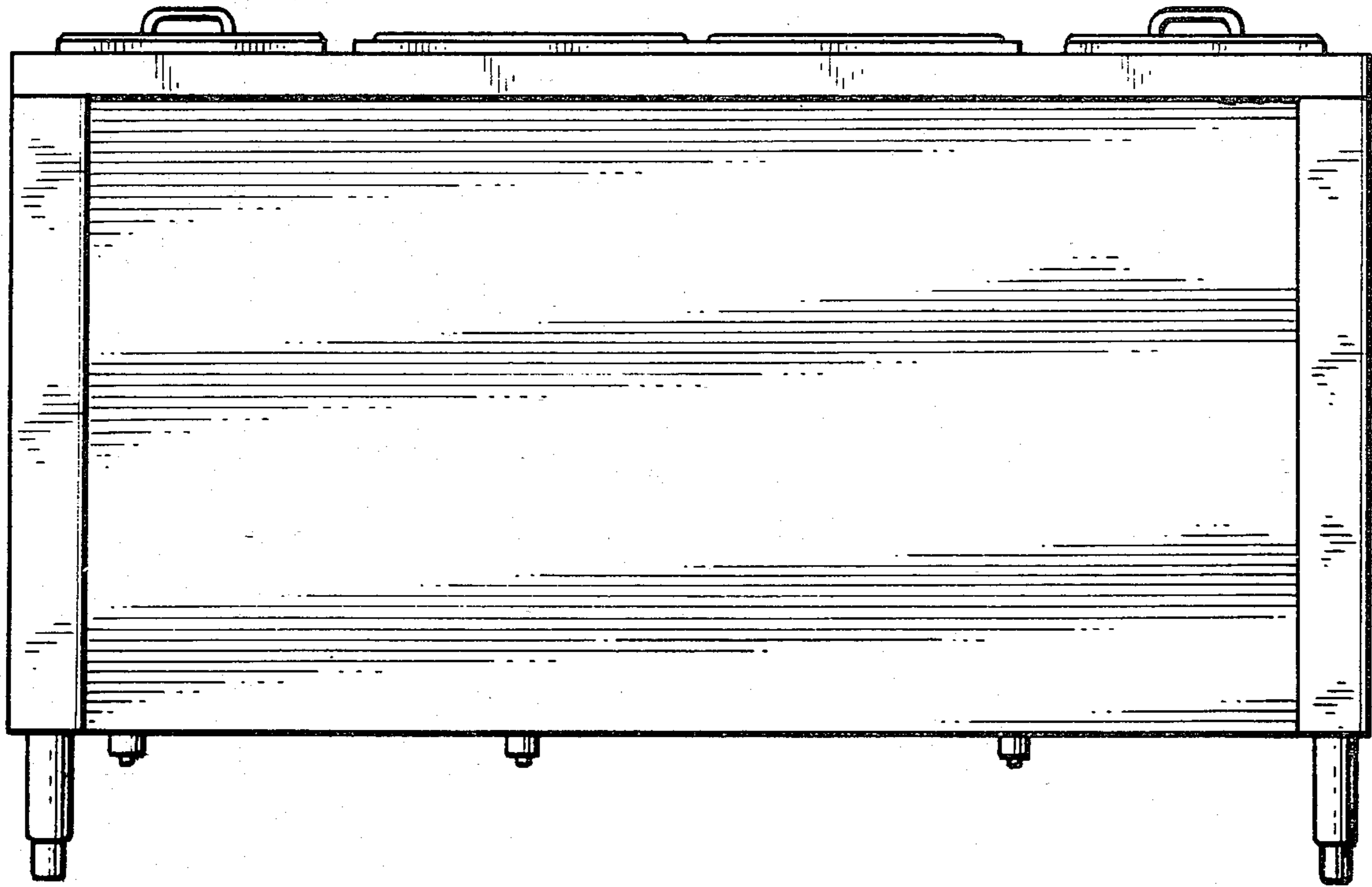


FIG. 6