

[54] MEAT SMOKING DEVICE HAVING
HOLDER FOR WOOD CHIPS

[76] Inventor: Charles W. Stuckey, 1293 Pasadena
Ave., Atlanta, Ga. 30306

[**] Term: 14 Years

[21] Appl. No.: 646,817

[22] Filed: Sep. 4, 1984

[52] U.S. Cl. D7/332

[58] Field of Search D7/323, 327, 331-348,
D7/352-355, 357-359, 361-362, 364, 387-388,
402-403, 405-406, 408-409; D32/82; 312/236;
219/386; 99/386, 401, 419, 421-427, 443-450;
126/4, 19 R, 27-28, 25 A, 25 AA, 25 B, 25 C,
25 R, 29-30, 9 A-9 B, 9 R; D6/449, 467, 469

[56] References Cited

U.S. PATENT DOCUMENTS

3,448,735 6/1969 Palmer 126/25 R
4,291,616 9/1981 Taylor 99/450

Primary Examiner—Catherine E. Kemper
Assistant Examiner—Ruth E. Takemoto
Attorney, Agent, or Firm—Jennings, Carter, Thompson
& Veal

[57] CLAIM

The ornamental design for a meat smoking device hav-
ing holder for wood chips, as shown and described.

DESCRIPTION

FIG. 1 is a perspective view of a meat smoking device
having holder for wood chips showing my new design;
FIG. 2 is a perspective view showing the under side
thereof;
FIG. 3 is a top plan view thereof;
FIG. 4 is a bottom plan view thereof;
FIG. 5 is a side elevational view thereof, the side not
shown being identical to the side shown;
FIG. 6 is an end elevational view thereof, the end not
shown being identical to the end shown; and
FIG. 7 is an exploded perspective view showing the
cover removed.

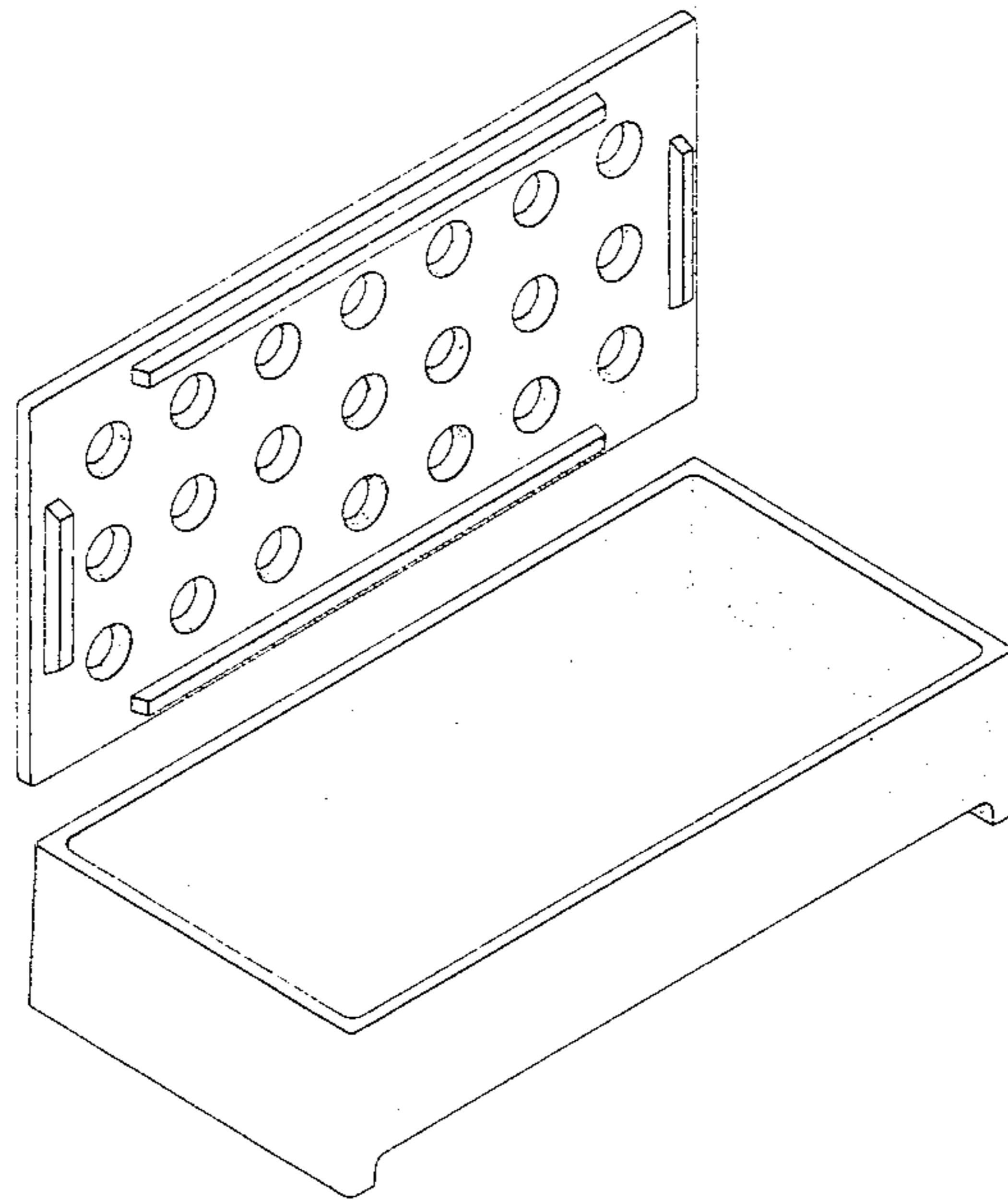


Fig. 1

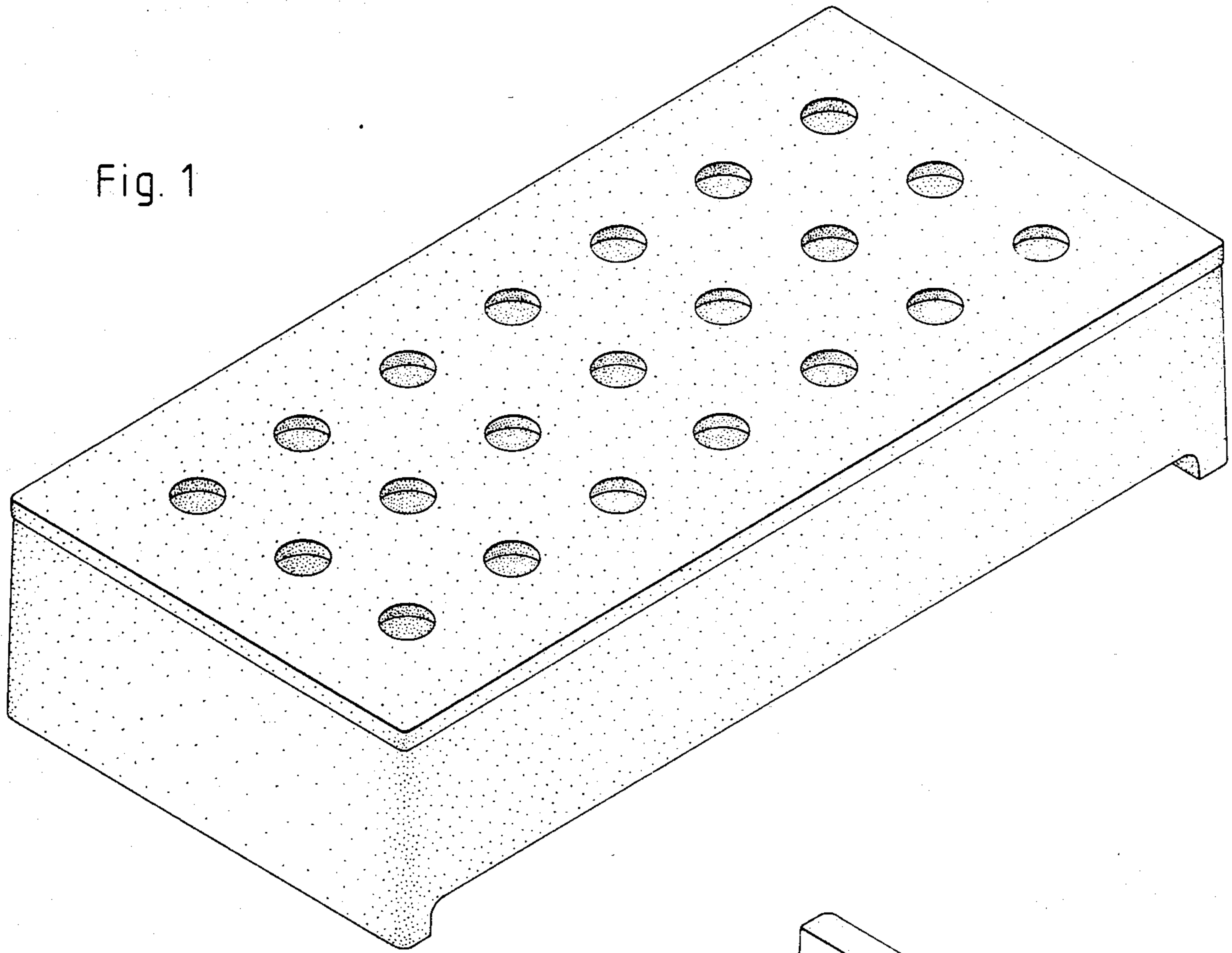


Fig. 2

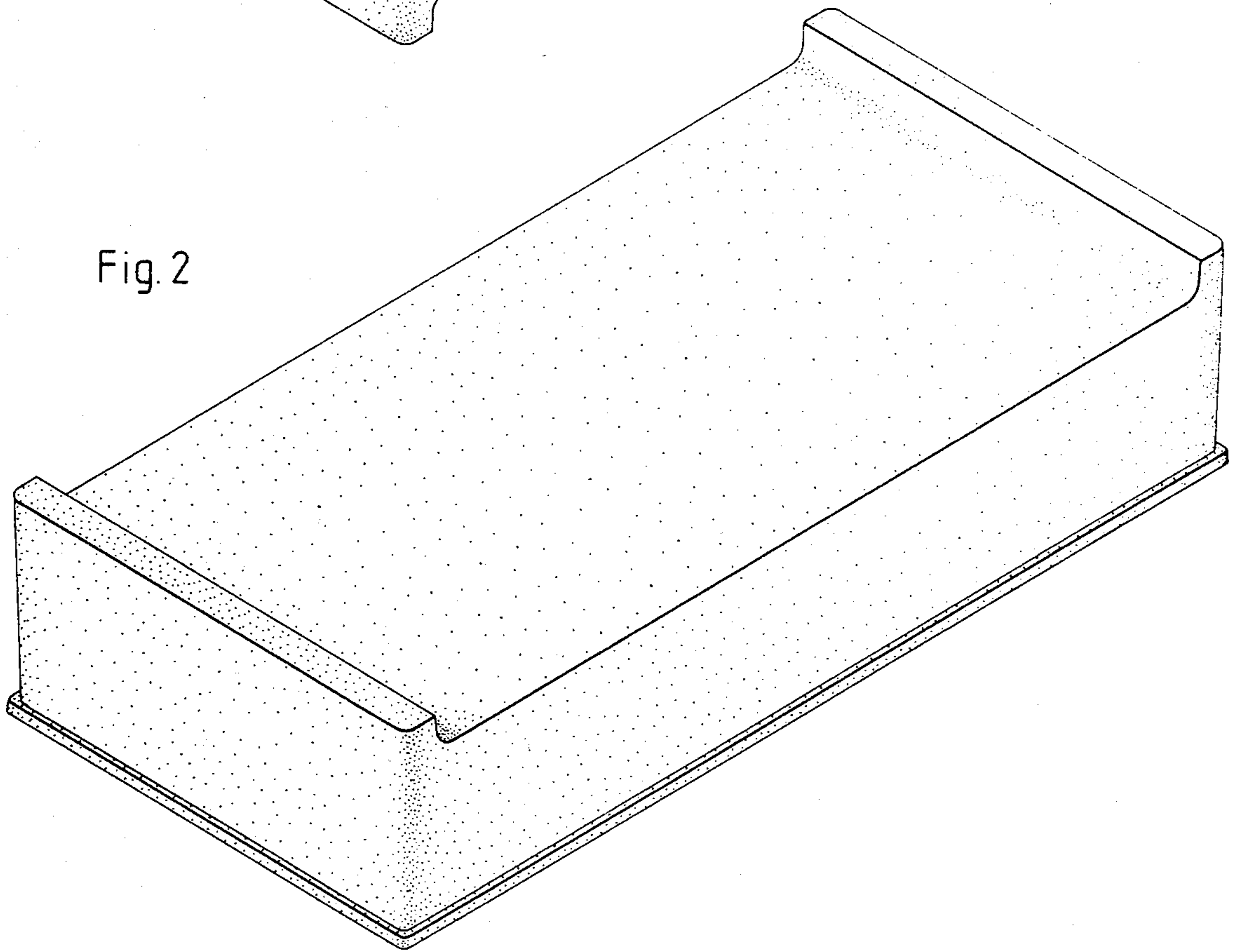


Fig. 3

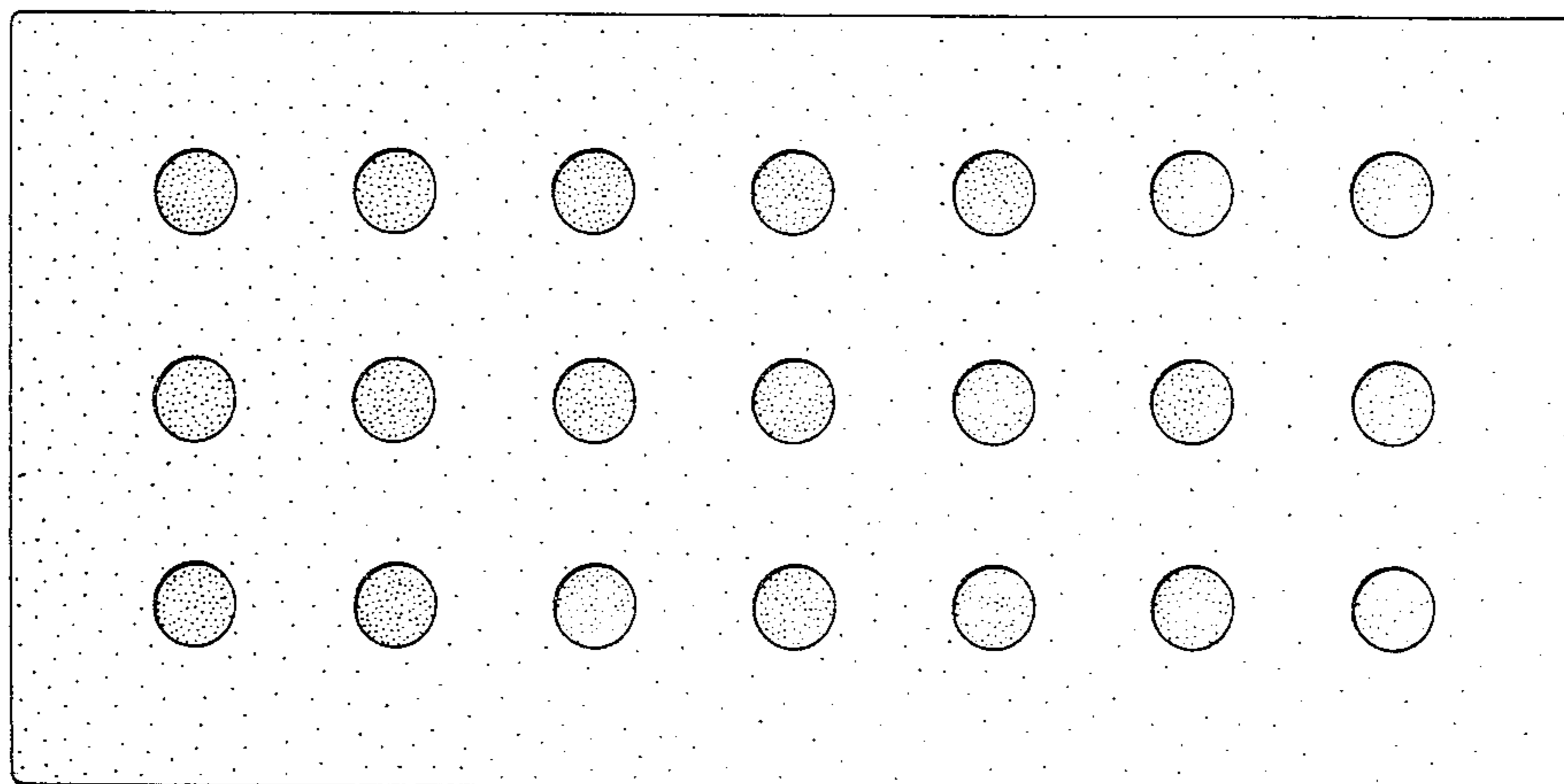


Fig. 4

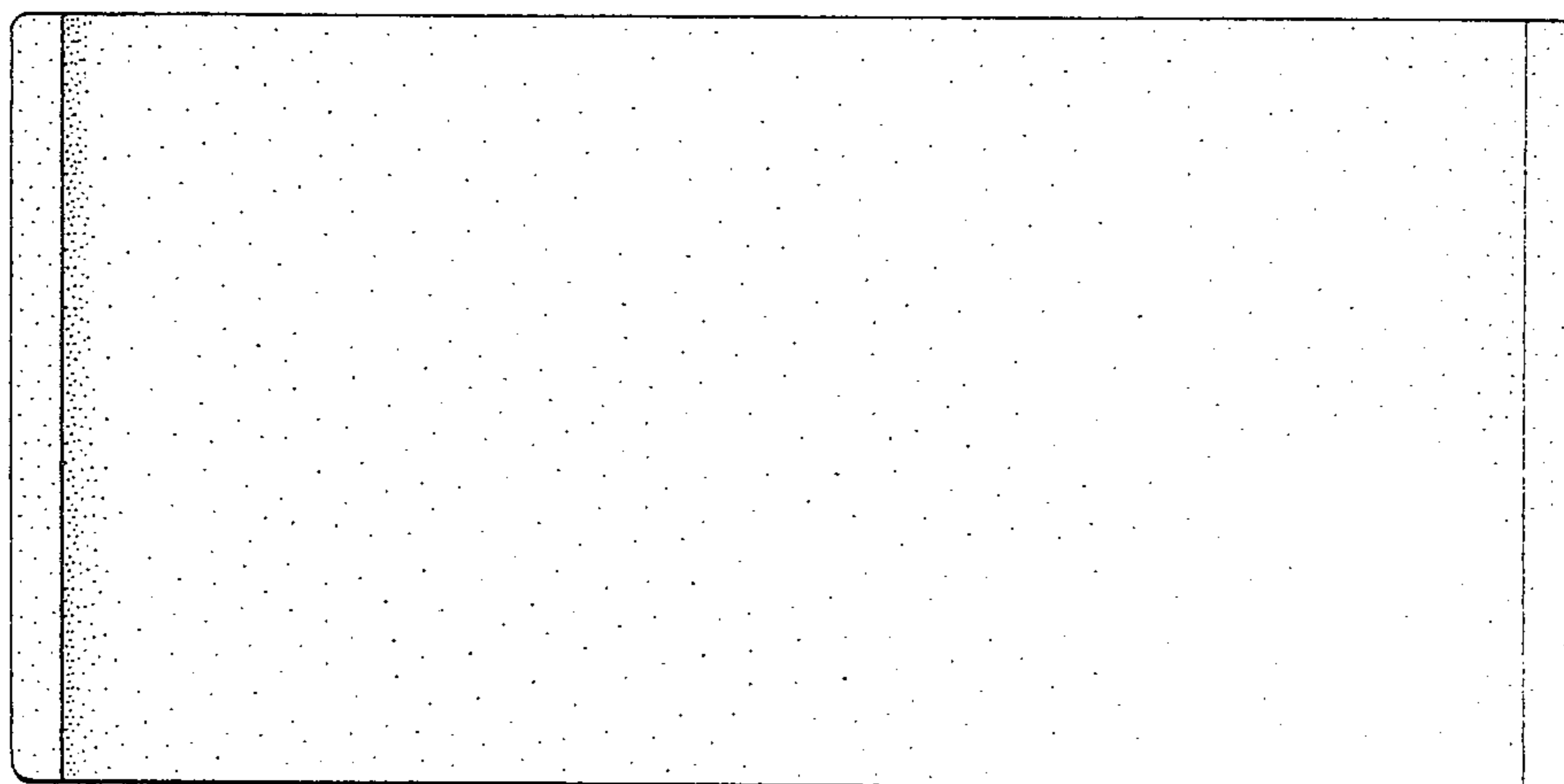


Fig. 5

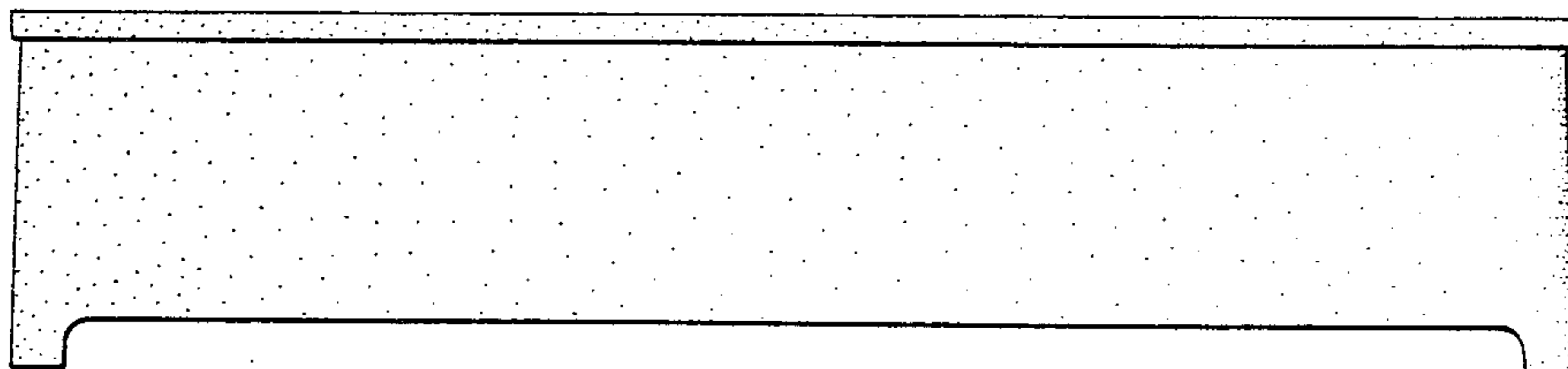
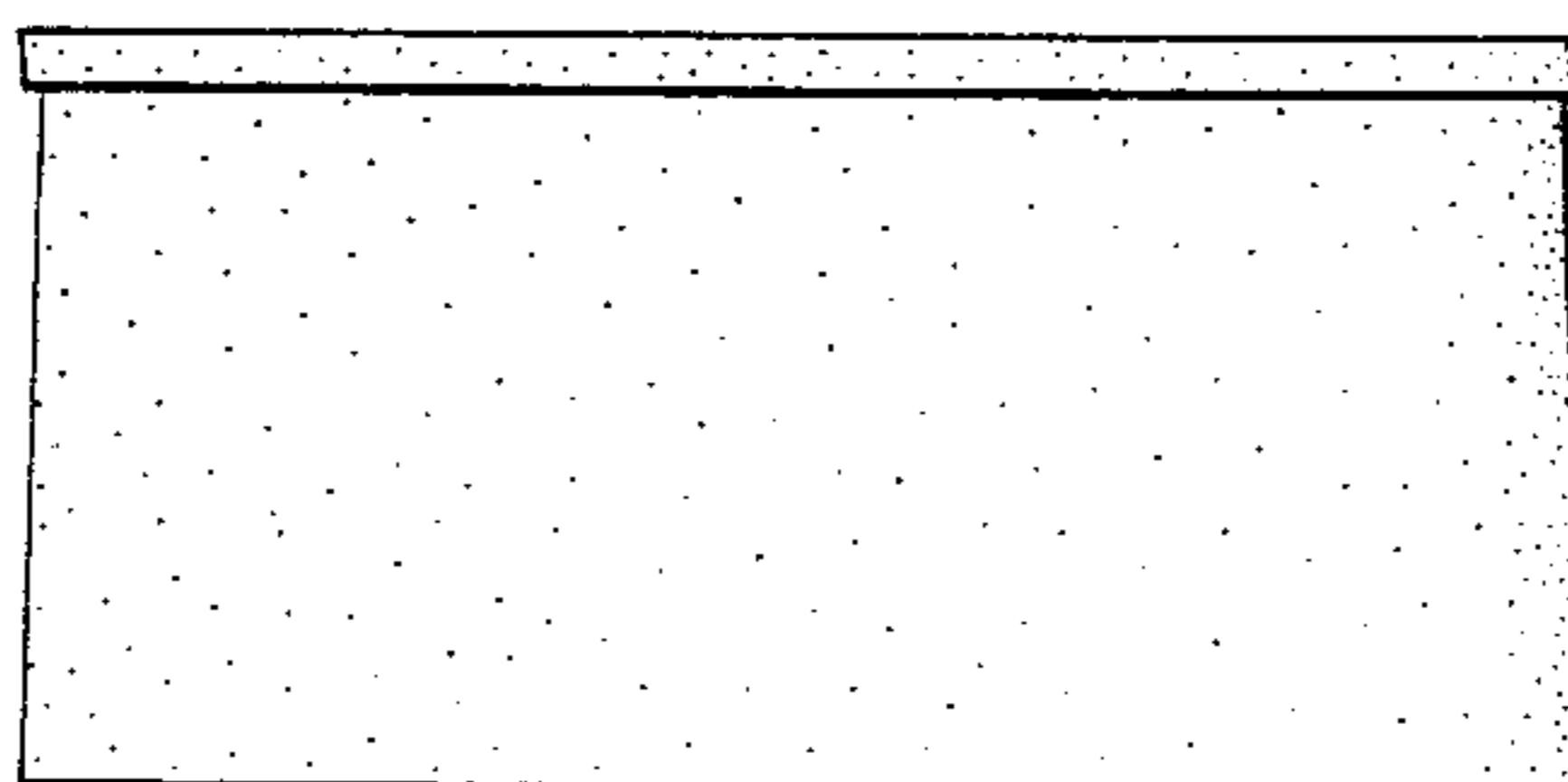


Fig. 6



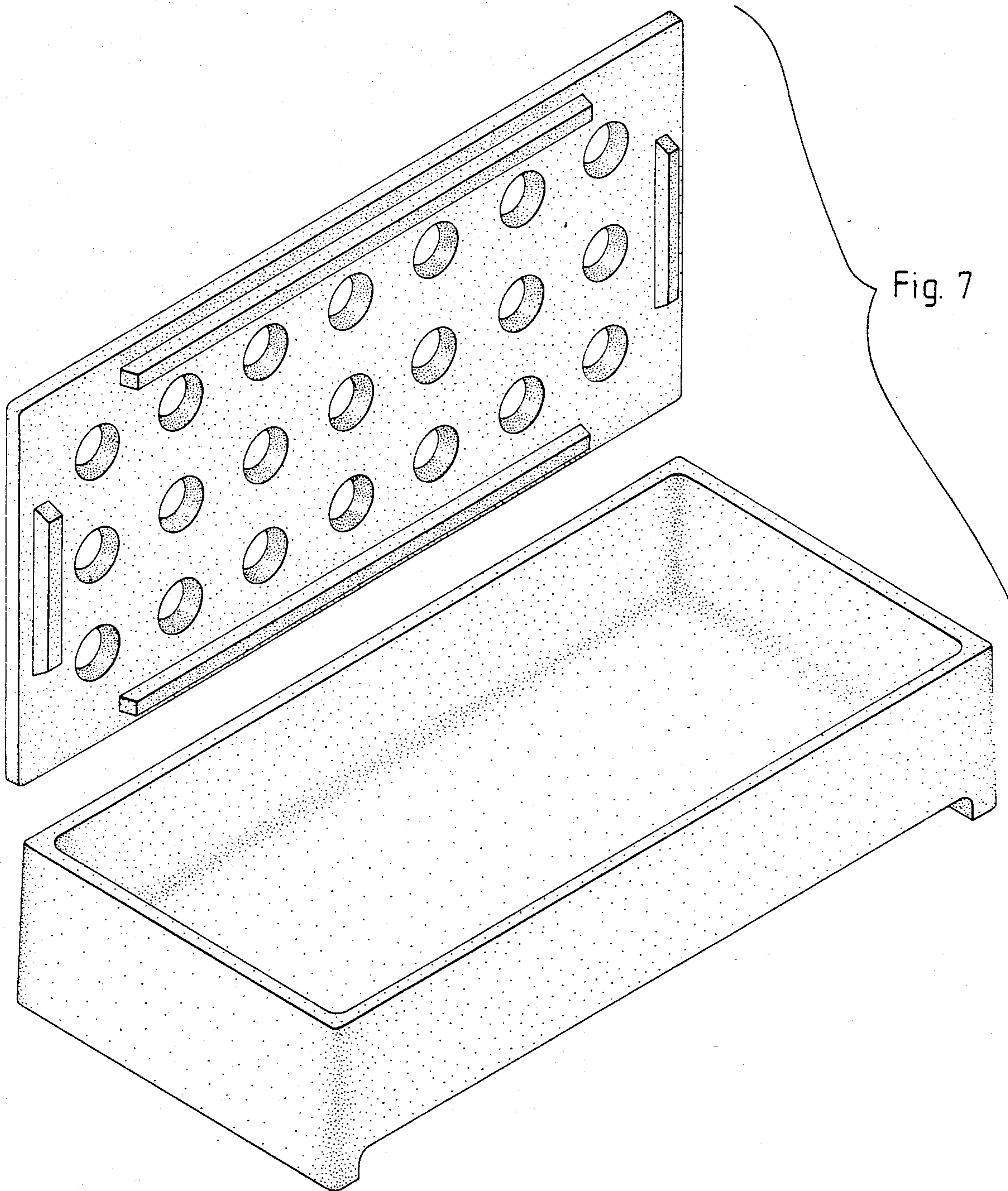


Fig. 7