

# United States Patent [19]

Kawaguchi

[11] Patent Number: **Des. 283,578**

[45] Date of Patent: **\*\* Apr. 29, 1986**

[54] **HOLDER FOR CONTAINERS**  
[75] Inventor: **Takehiko Kawaguchi, Sakai, Japan**  
[73] Assignee: **Taiyo Sanso Kabushiki Kaisha, Osaka, Japan**  
[\*\*] Term: **14 Years**  
[21] Appl. No.: **515,819**  
[22] Filed: **Jul. 21, 1983**

[30] **Foreign Application Priority Data**

Apr. 20, 1983 [JP] Japan ..... 58-16984  
[52] U.S. Cl. .... **D7/70**  
[58] Field of Search ..... D7/70, 393; 215/100 R, 215/101; 294/31.2, 28, 32; 248/145.6; 16/114 R

[56] **References Cited**

**U.S. PATENT DOCUMENTS**

D. 211,818 7/1968 Massey ..... D7/70  
679,742 8/1901 Goddard ..... 294/31.2  
1,702,555 2/1929 Watson ..... 248/311.2 X  
2,063,805 12/1936 Goetting ..... 294/28

2,610,081 9/1952 Bushman ..... 294/28  
3,021,026 2/1962 Clare ..... 215/100 A

*Primary Examiner*—Bernard Ansher  
*Assistant Examiner*—Terry Pfeffer  
*Attorney, Agent, or Firm*—Armstrong, Nikaido, Marmelstein & Kubovcik

[57] **CLAIM**

The ornamental design for holder for containers, as shown and described.

**DESCRIPTION**

FIG. 1 is a front elevational view of the holder for containers, showing my new design;  
FIG. 2 is a rear elevational view thereof;  
FIG. 3 is a right side elevational view thereof;  
FIG. 4 is a left side elevational view thereof;  
FIG. 5 is a top plan view thereof;  
FIG. 6 is a bottom plan view thereof;  
FIG. 7 is a perspective view thereof with a vacuum bottle shown in broken lines for illustrative purposes only; and  
FIG. 8 is a perspective view thereof with a can shown in broken lines for illustrative purposes only.

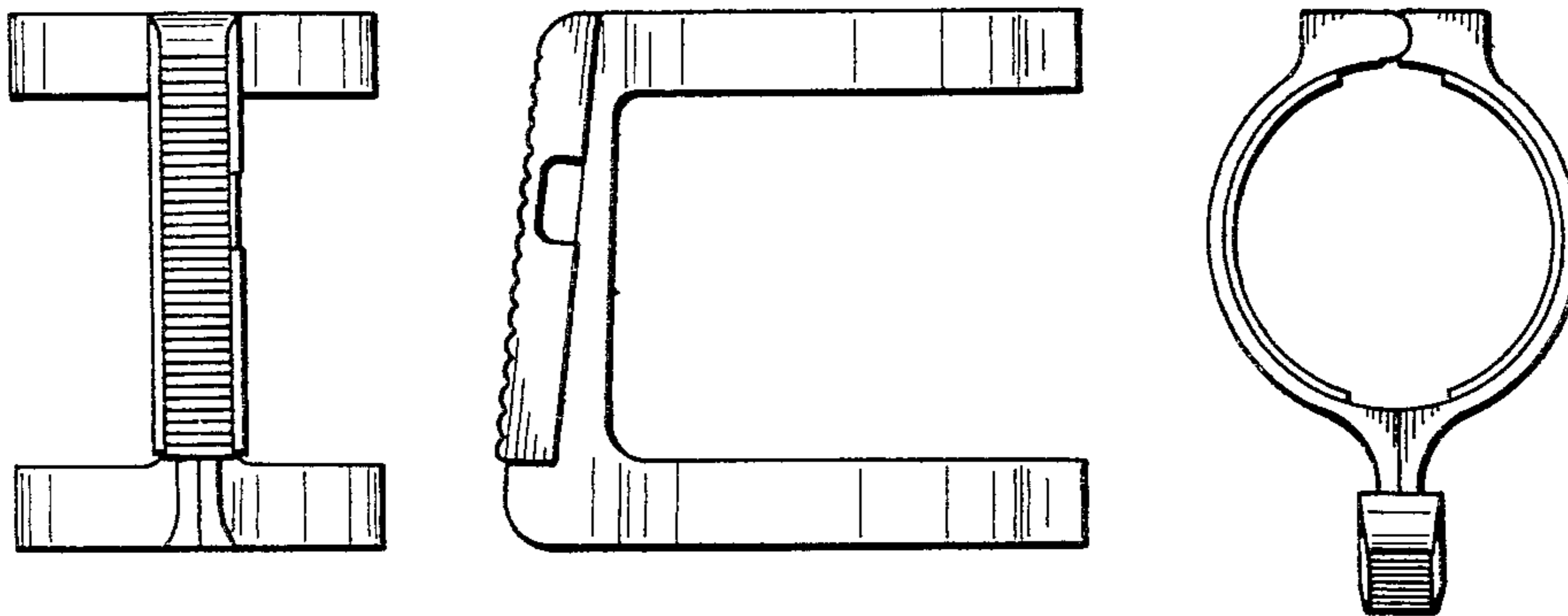


FIG. 1

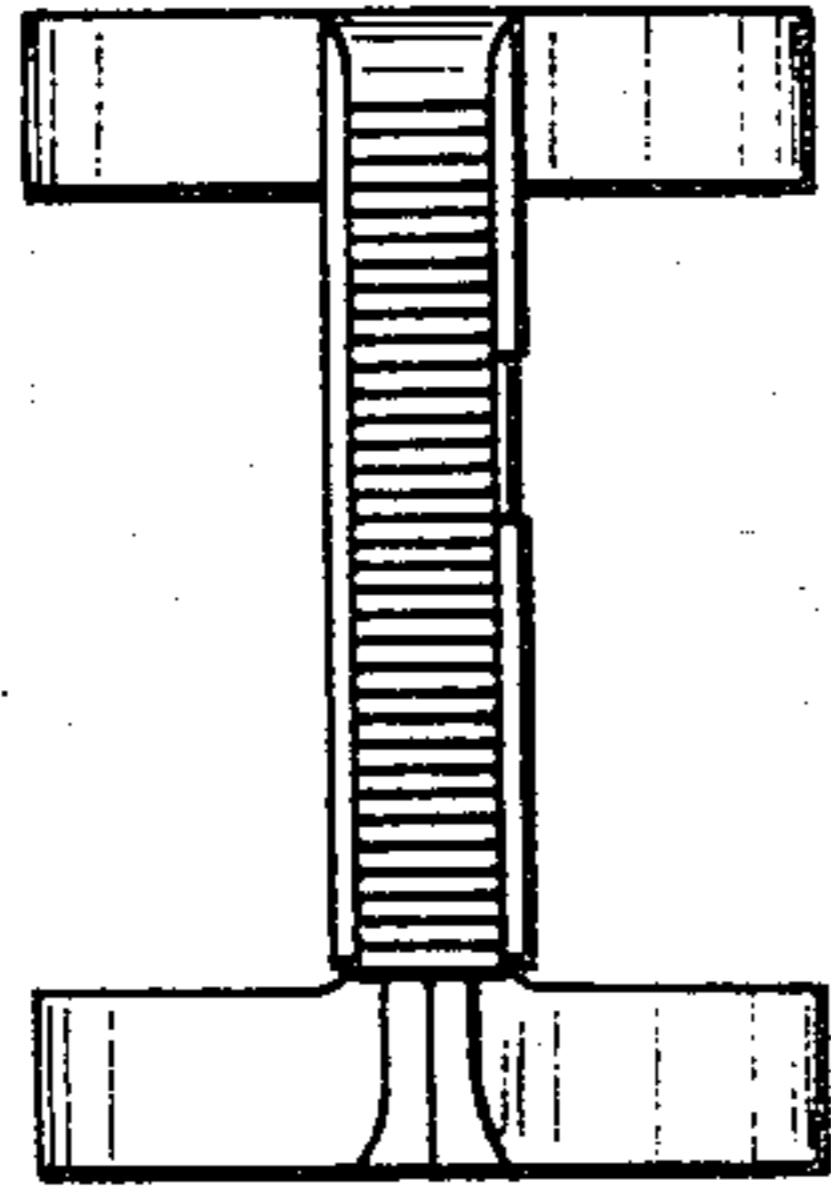


FIG. 3

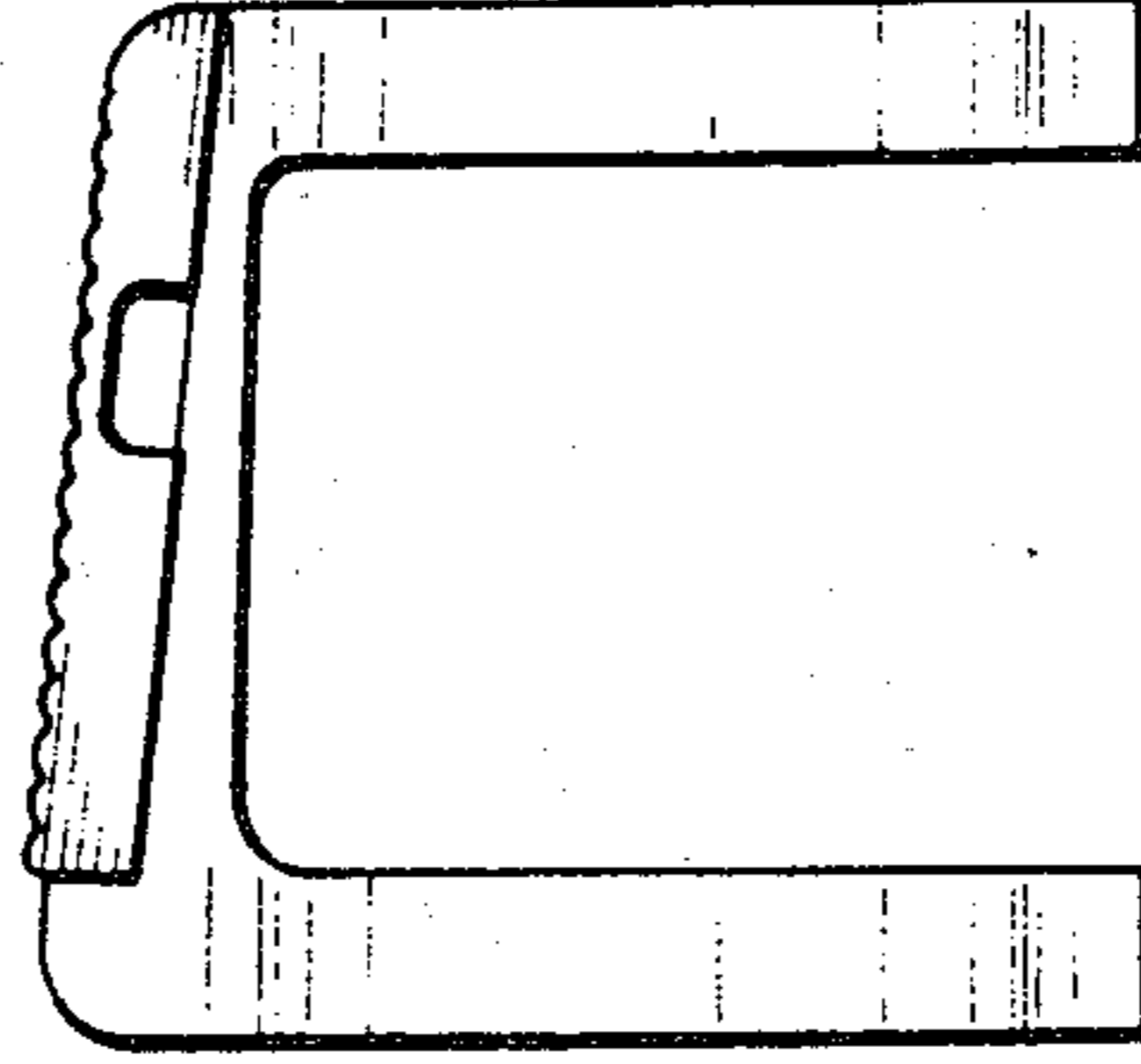


FIG. 5

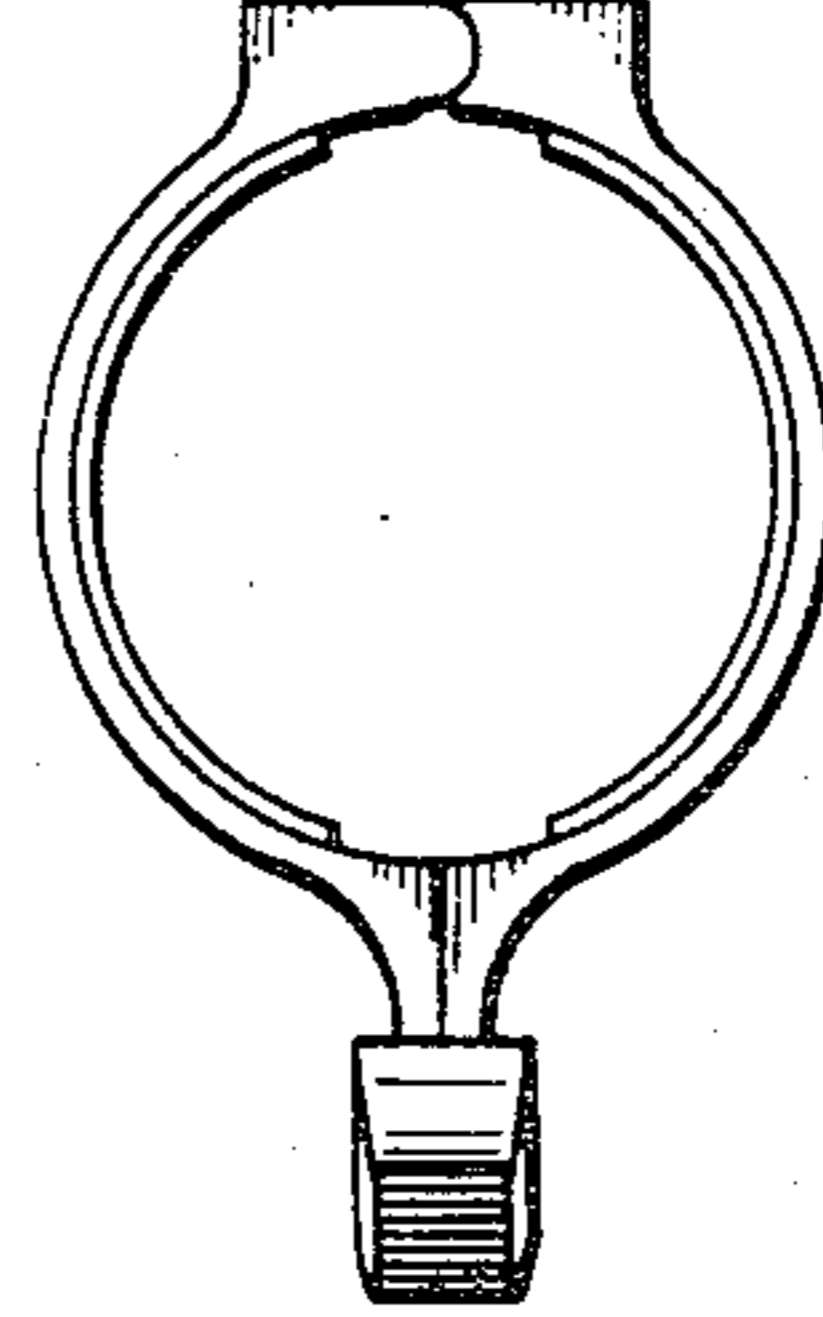


FIG. 2

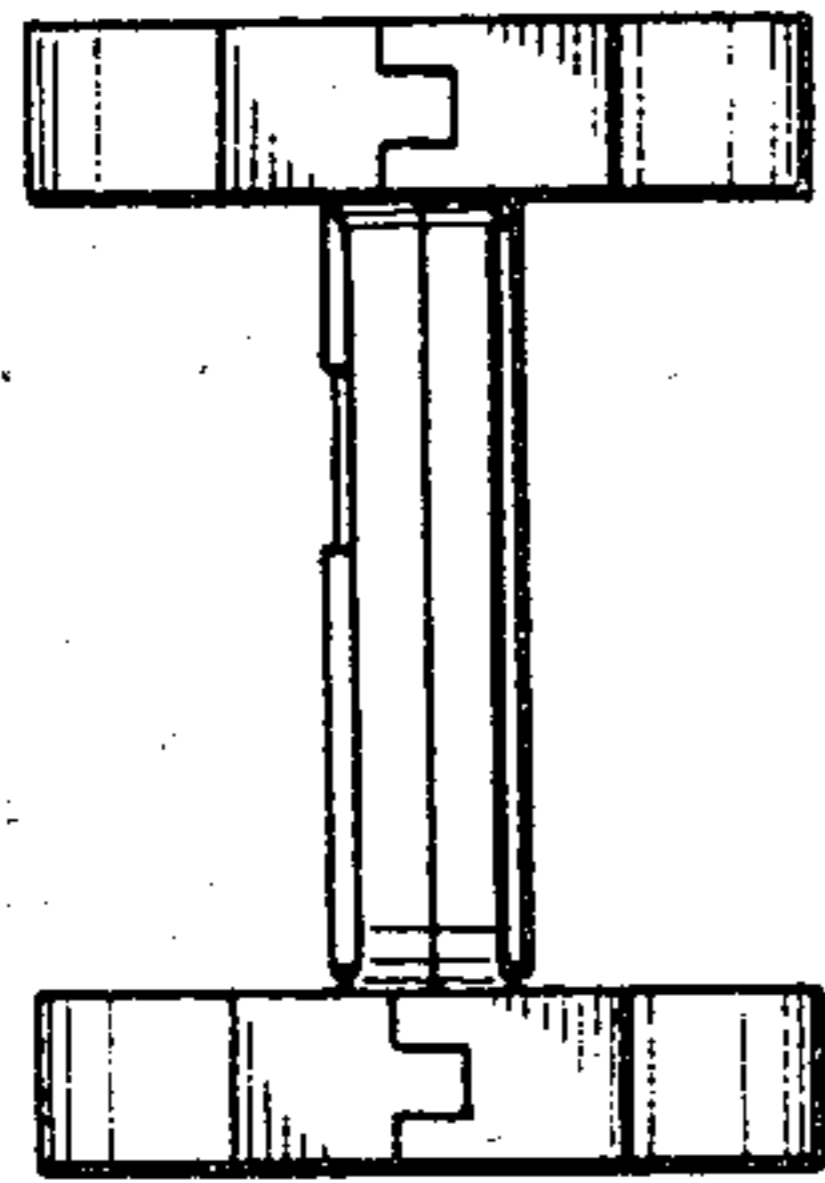


FIG. 4

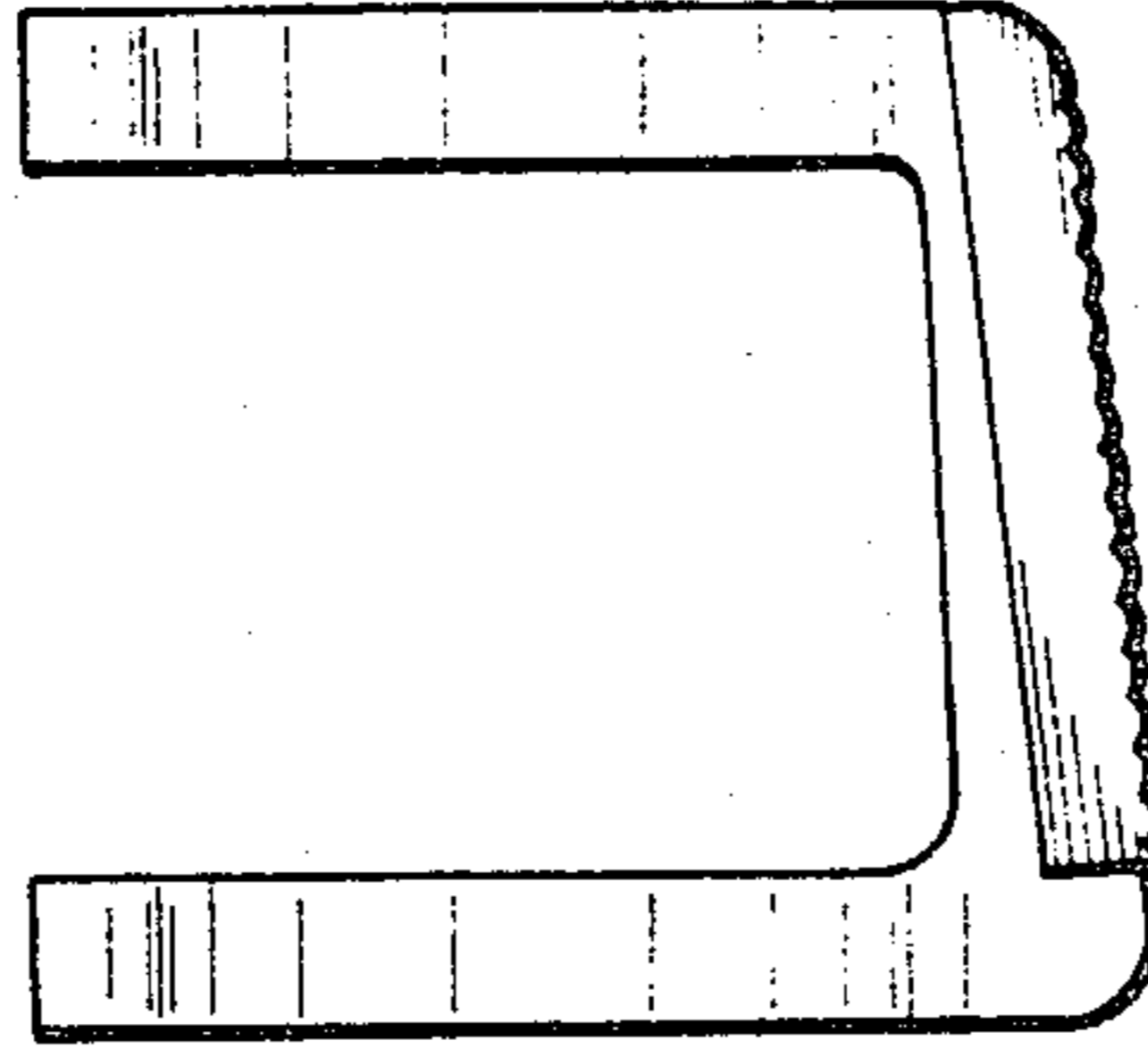
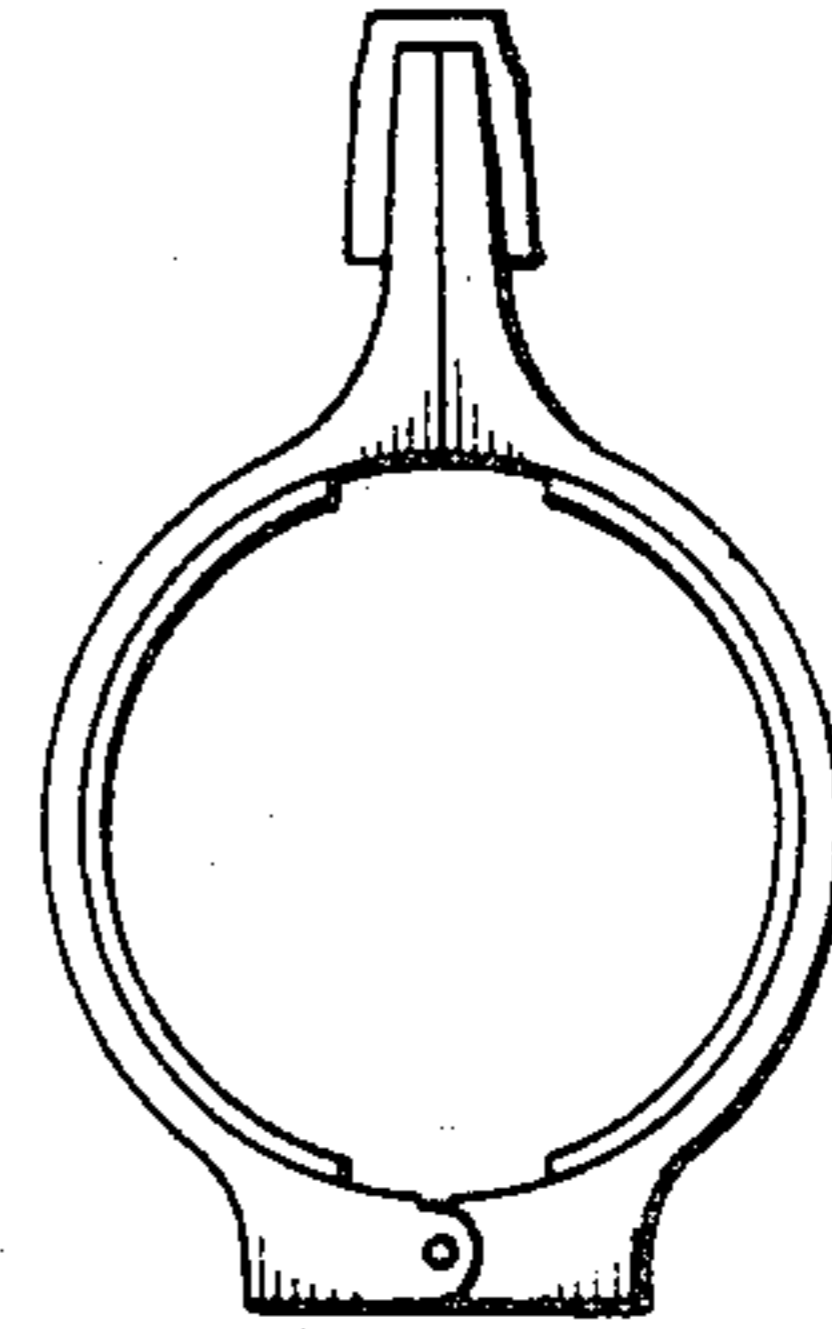


FIG. 6



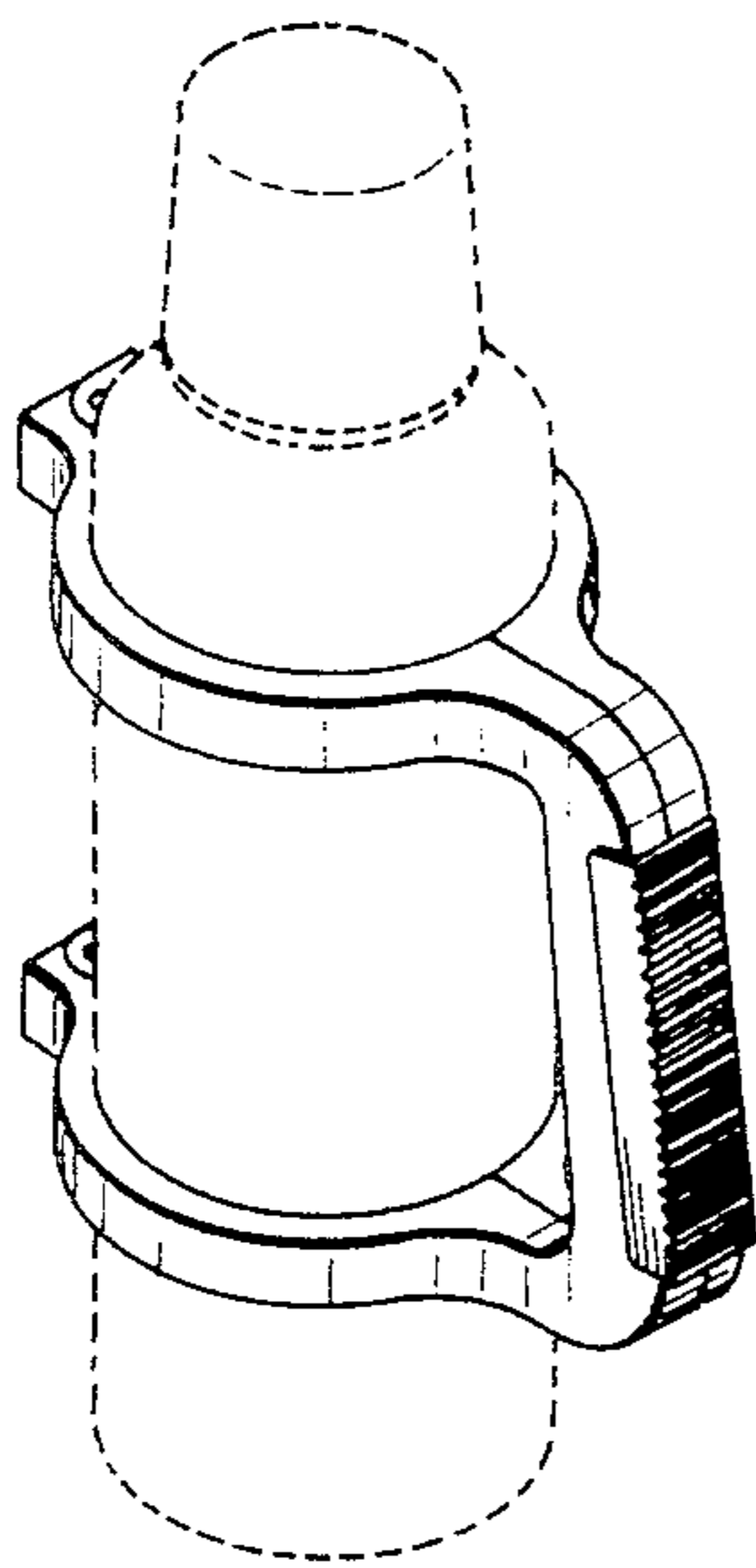


FIG. 7

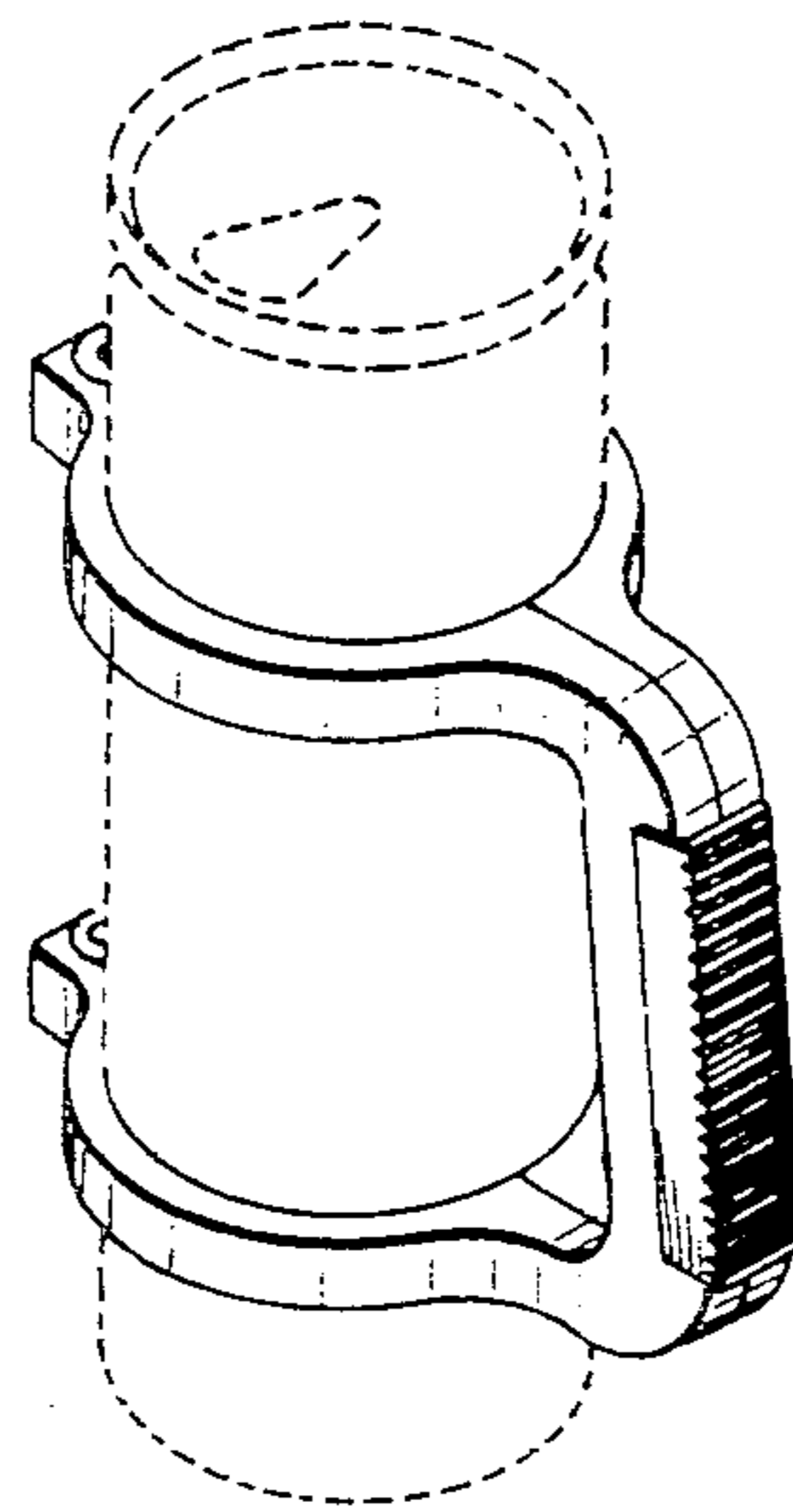


FIG. 8