

[54] SOAP HOLDER

[75] Inventors: Peter S. Lambert, Mortdale; John Herbert, Paddington, both of Australia

[73] Assignee: Inventive Products Pty. Ltd., Sydney, Australia

[\*\*] Term: 14 Years

[21] Appl. No.: 508,804

[22] Filed: Jun. 28, 1983

[52] U.S. Cl. .... D6/540; D6/553; D6/567; D6/573

[58] Field of Search ..... D6/536, 537, 538, 539, D6/540, 553, 567, 573; 206/77.1; 248/309 R; 211/87, 88; D14/68, 70, 71, 72, 75; D26/63

[56] References Cited

U.S. PATENT DOCUMENTS

D. 143,889	2/1946	Wood .....	D6/536
D. 247,689	4/1978	Le Vasseur .....	D26/63
D. 247,708	4/1978	Furst et al. ....	D14/68
3,514,588	8/1967	Roche .....	D26/63

Primary Examiner—B. J. Bullock  
Assistant Examiner—Suzanne N. Gitlin  
Attorney, Agent, or Firm—Ladas & Parry

[57] CLAIM

The ornamental design for soap holder, as shown.

DESCRIPTION

FIG. 1 is a perspective view of a soap holder showing our new design;  
FIG. 2 is a perspective view thereof; the container shown in a tilted position;  
FIG. 3 is a side elevational view thereof;  
FIG. 4 is a top plan view thereof;  
FIG. 5 is a rear elevational view thereof;  
FIG. 6 is a front elevational view thereof;  
FIG. 7 is a bottom plan view thereof.

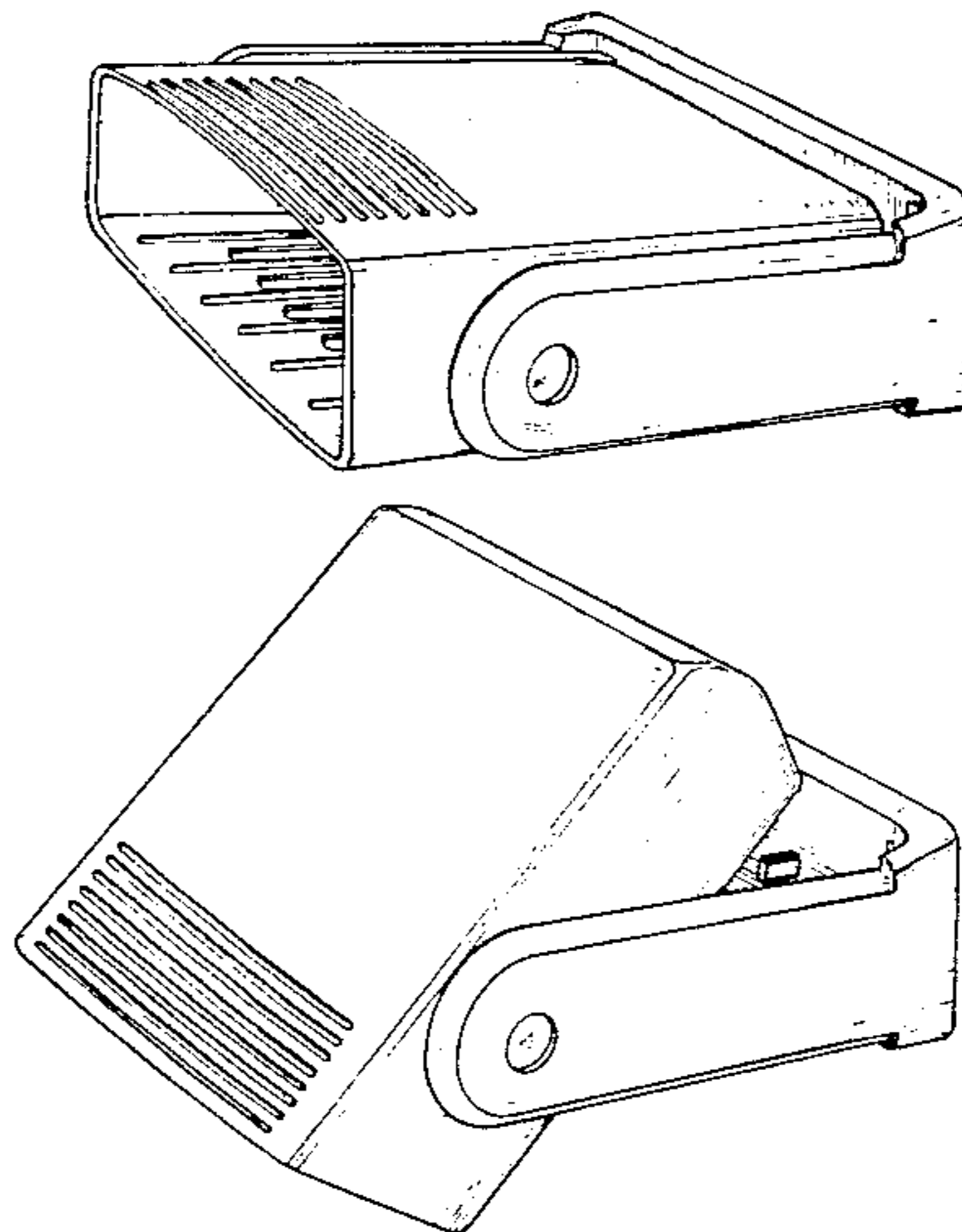


FIG. 1

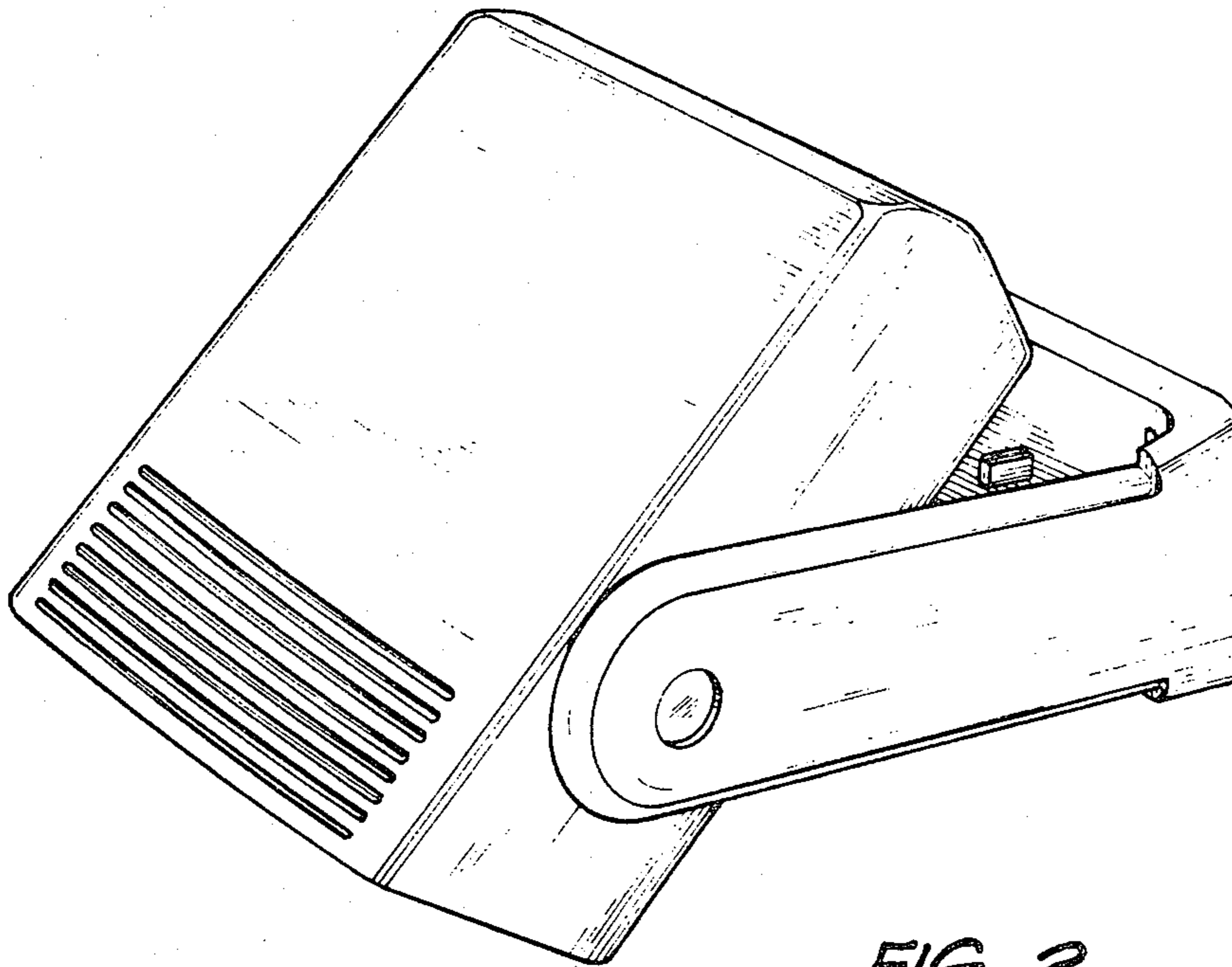
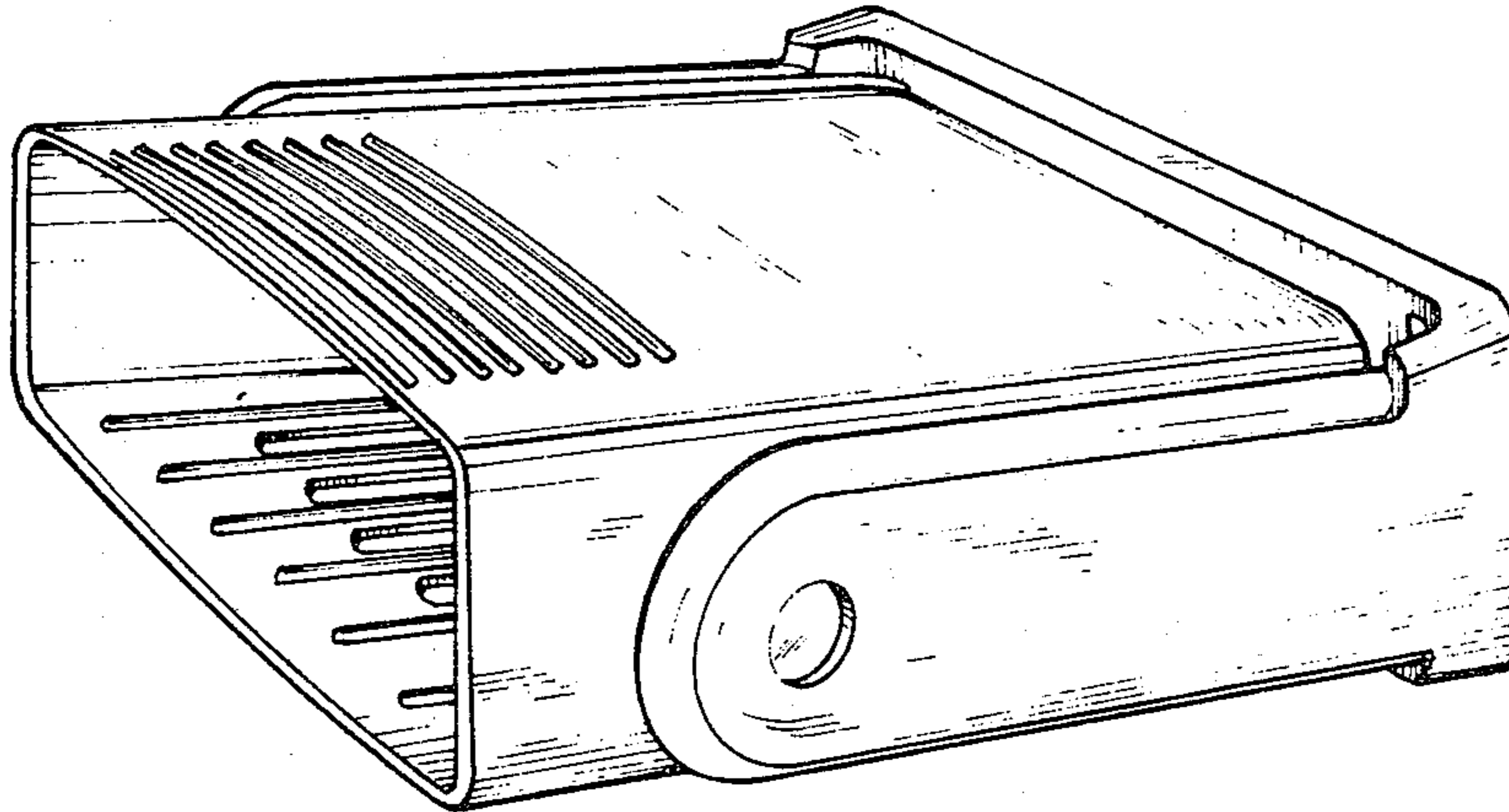


FIG. 2

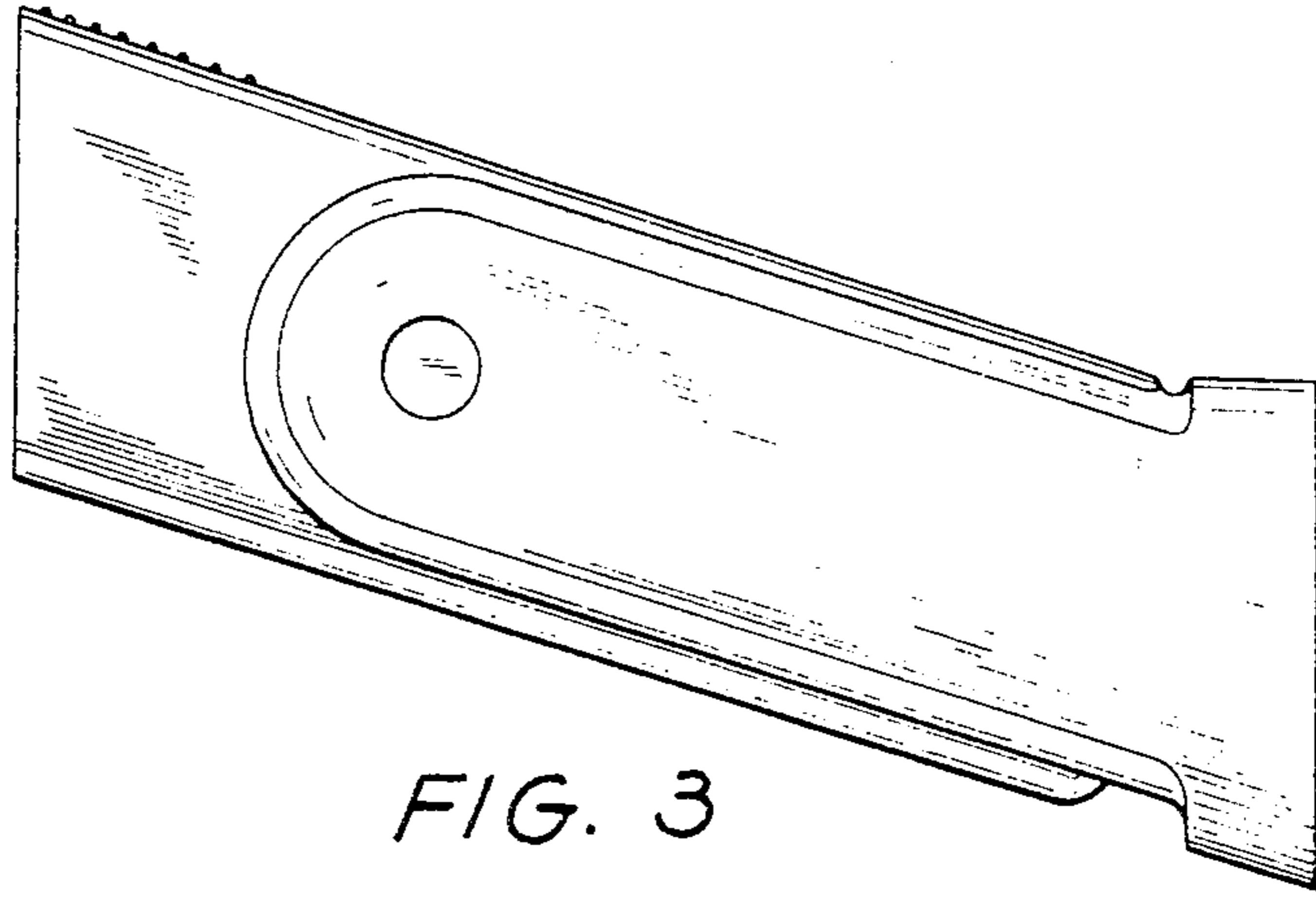


FIG. 3

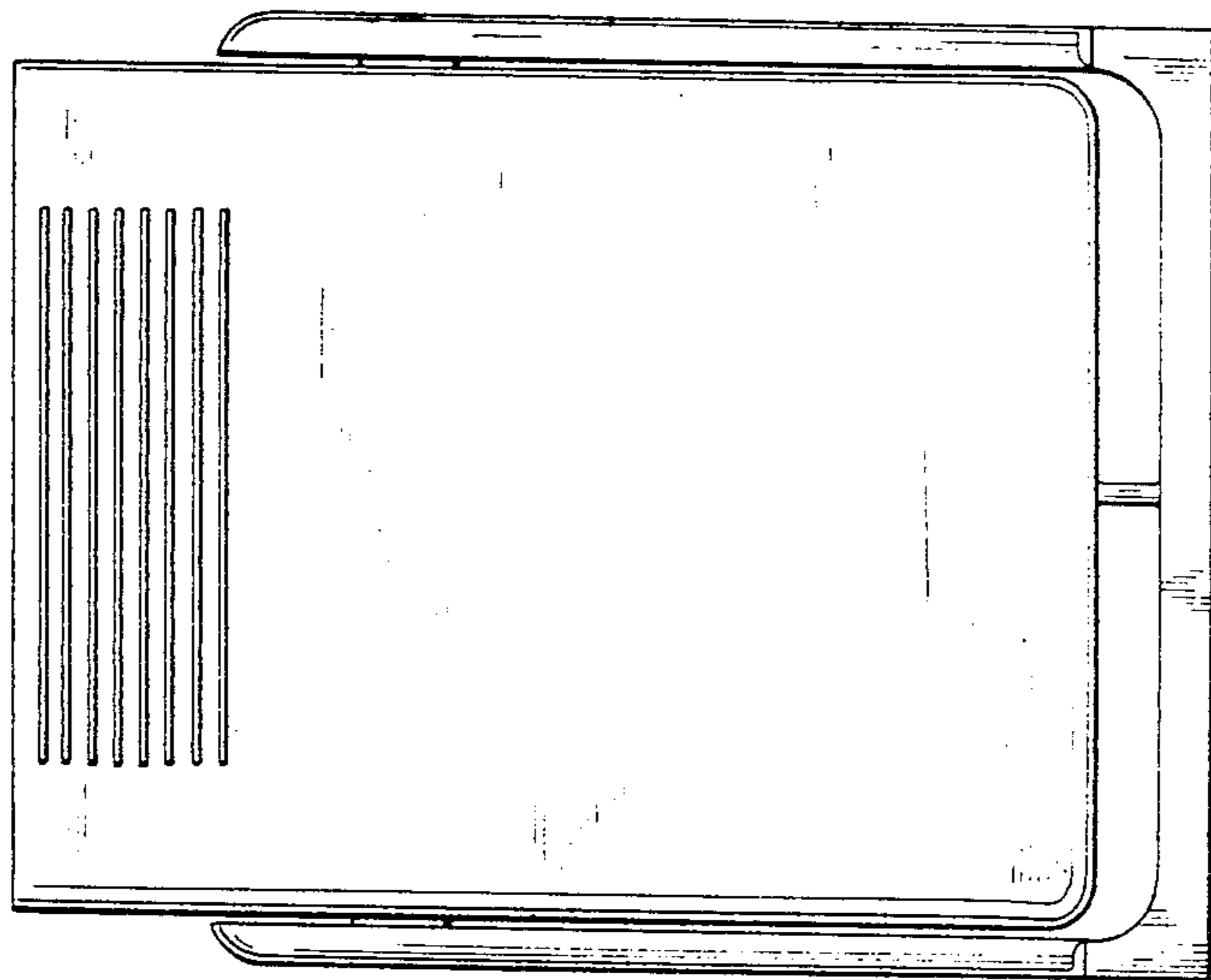


FIG. 4

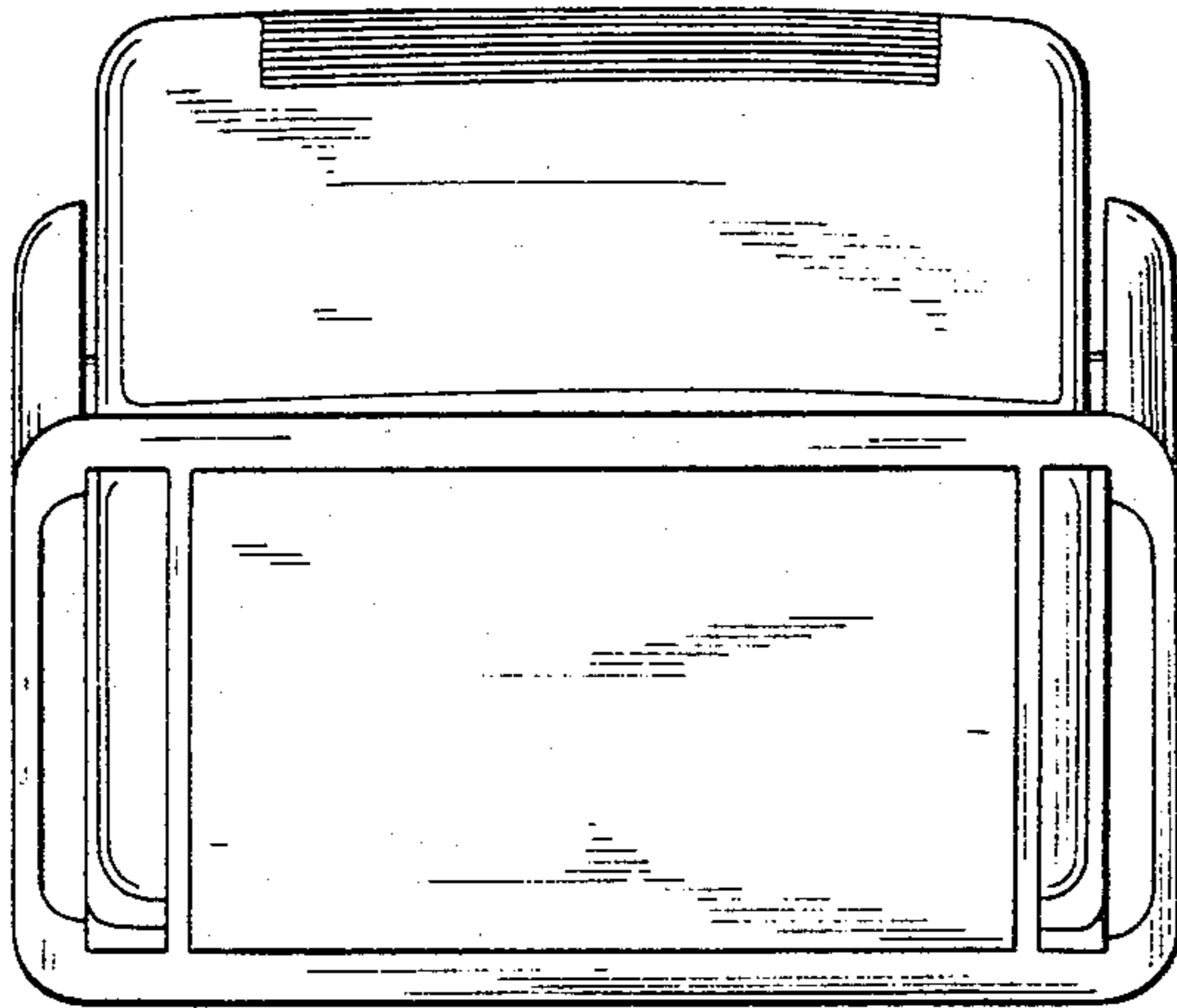


FIG. 5

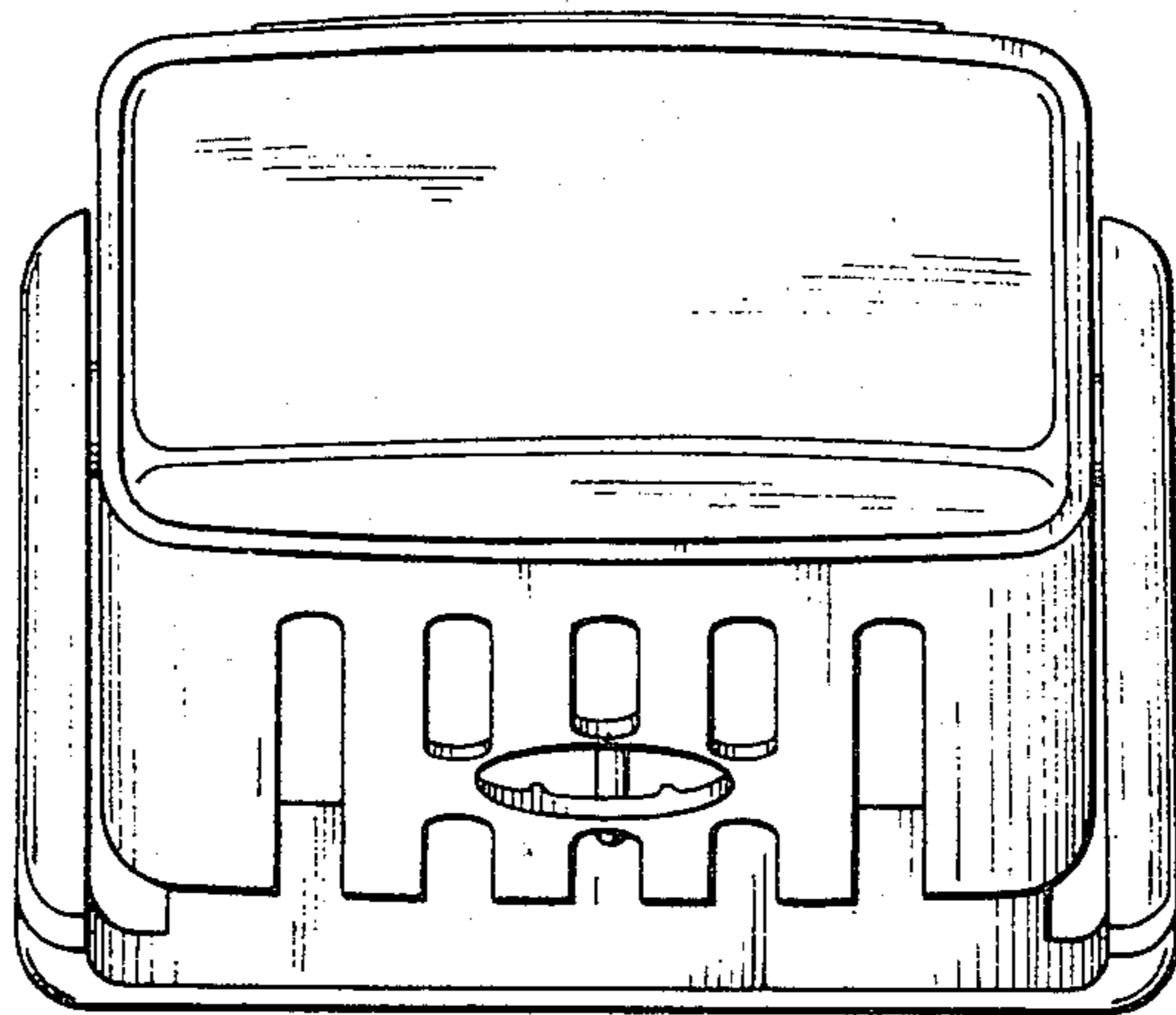


FIG. 6

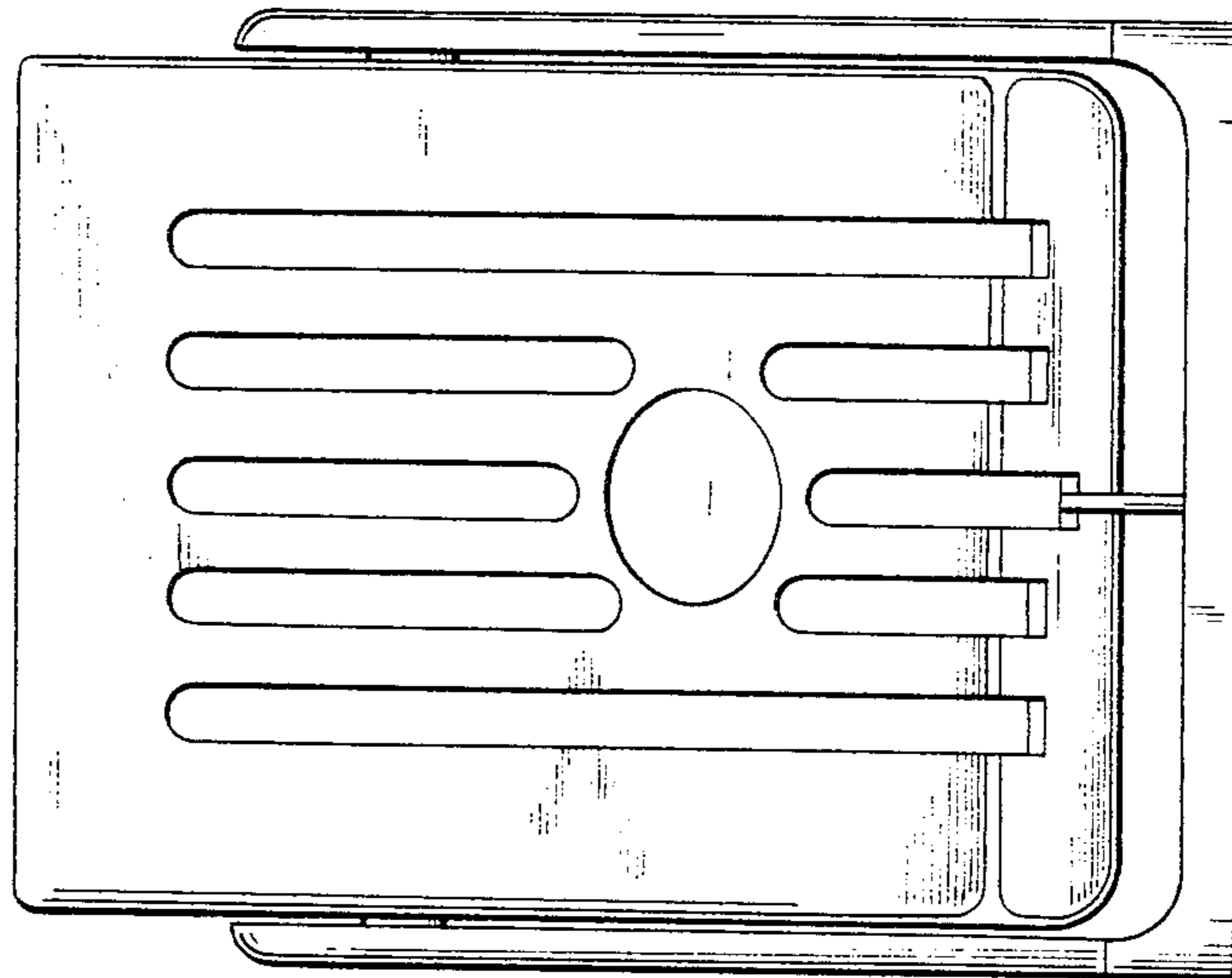


FIG. 7