

[54] **SHOE RACK**

[76] **Inventor: Jacob Penner, 12300 White Rock Rd., Rancho Cordova, Calif. 95670**

[**] **Term: 14 Years**

[21] **Appl. No.: 591,937**

[22] **Filed: Mar. 21, 1984**

[52] **U.S. Cl. D6/464**

[58] **Field of Search D6/411, 412, 413, 414, D6/415, 406, 462, 463, 464, 465; 211/34, 35, 36, 37, 38, 42, 43, 13**

[56] **References Cited**

U.S. PATENT DOCUMENTS

D. 63,054	9/1923	Lallance	D6/464
D. 121,783	8/1940	Castelli et al.	D6/462
D. 122,929	10/1940	Seltzer	D6/464
1,733,487	10/1929	Hackley	211/35

1,995,383	3/1935	Fischer	D6/463 X
2,276,141	3/1942	Atkinson	211/37
3,311,242	3/1967	Miklya	211/37

FOREIGN PATENT DOCUMENTS

1421916	11/1965	France	211/40
261537	11/1926	United Kingdom	211/43

Primary Examiner—Carmen H. Vales
Attorney, Agent, or Firm—Neil F. Markva

[57] **CLAIM**

The ornamental design for a shoe rack, as shown and described.

DESCRIPTION

FIG. 1 is a perspective view of a shoe rack showing my new design;
FIG. 2 is a side elevational view thereof;
FIG. 3 is a top plan view thereof;
FIG. 4 is a rear elevational view thereof.

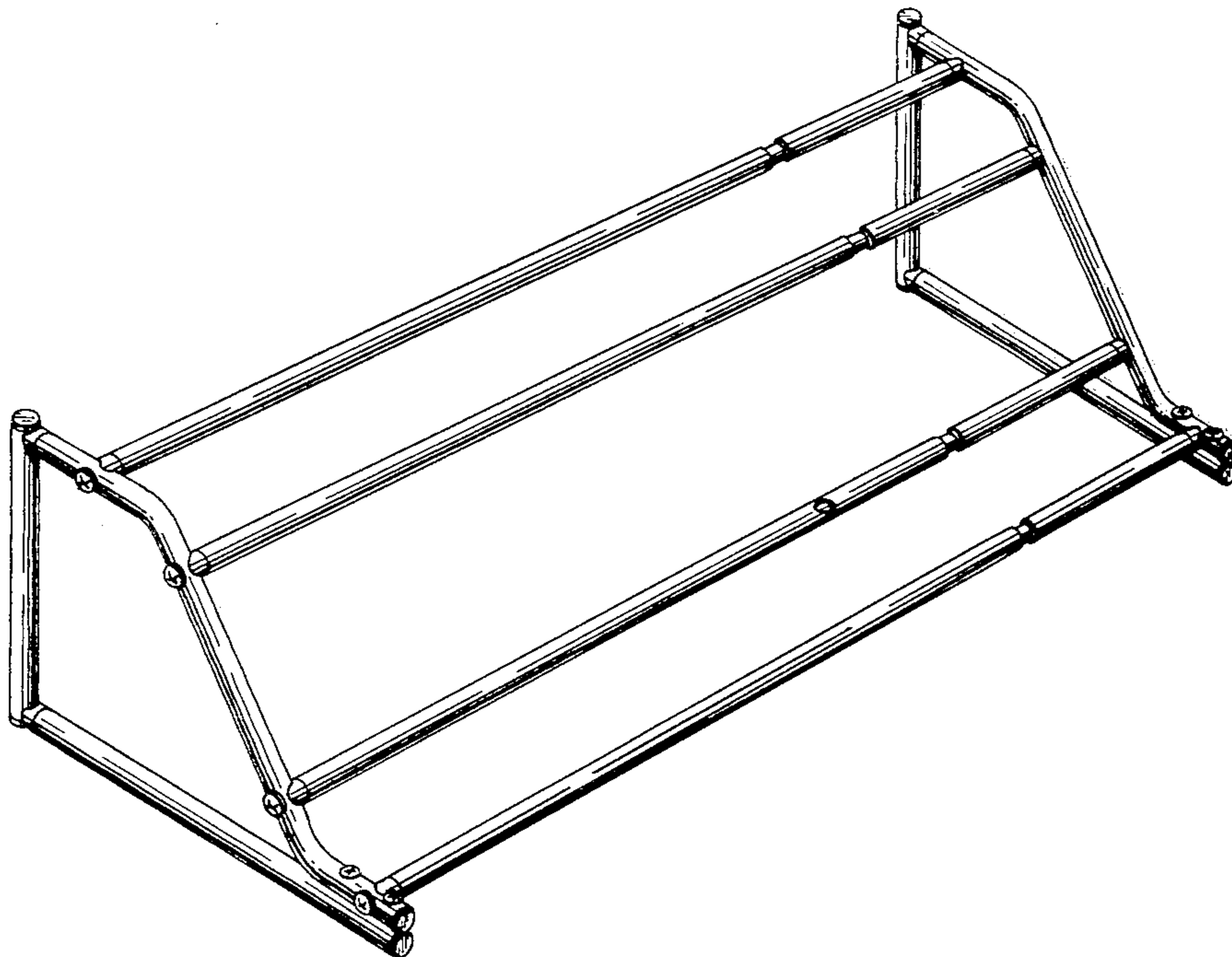


Fig. 1

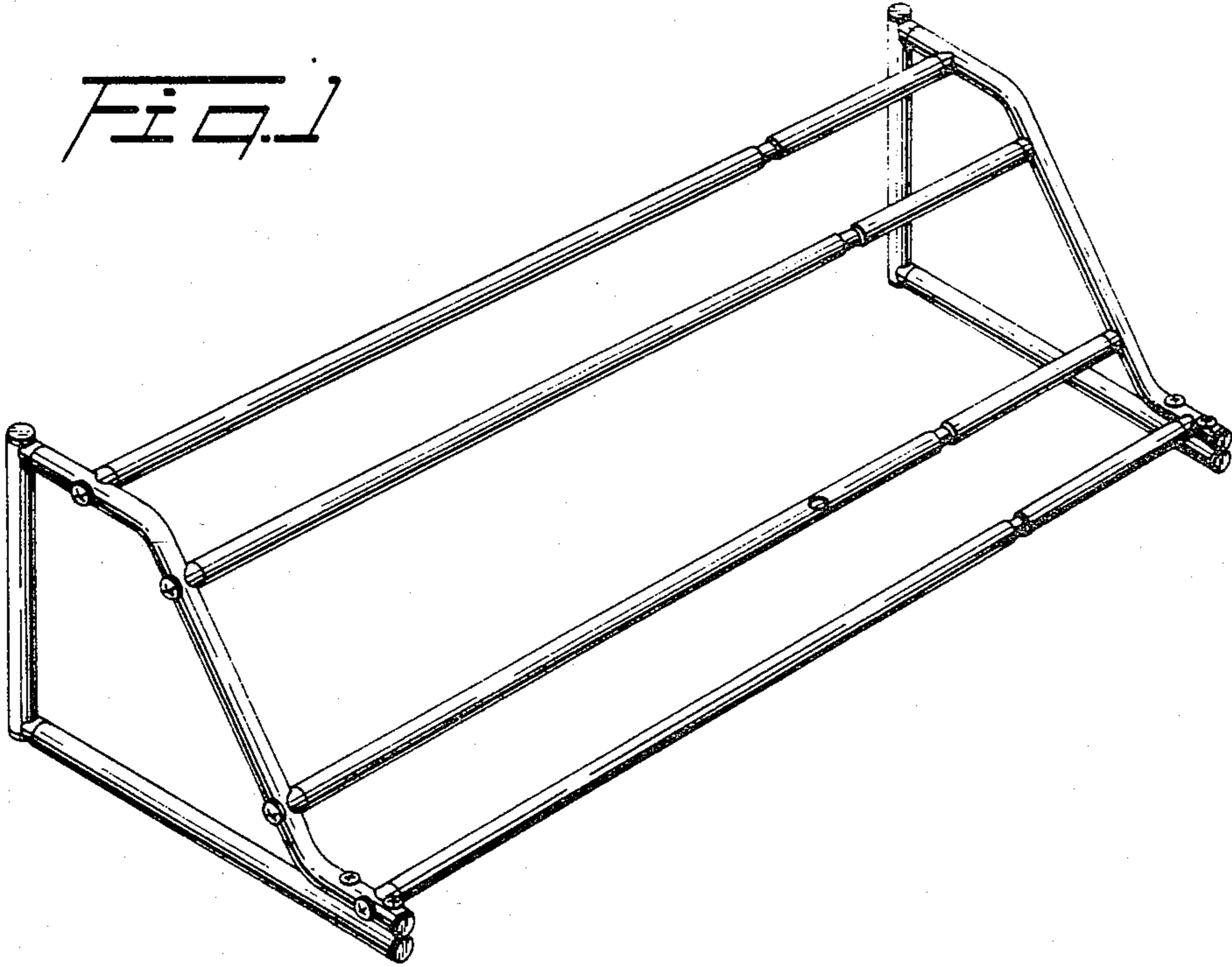


Fig. 2

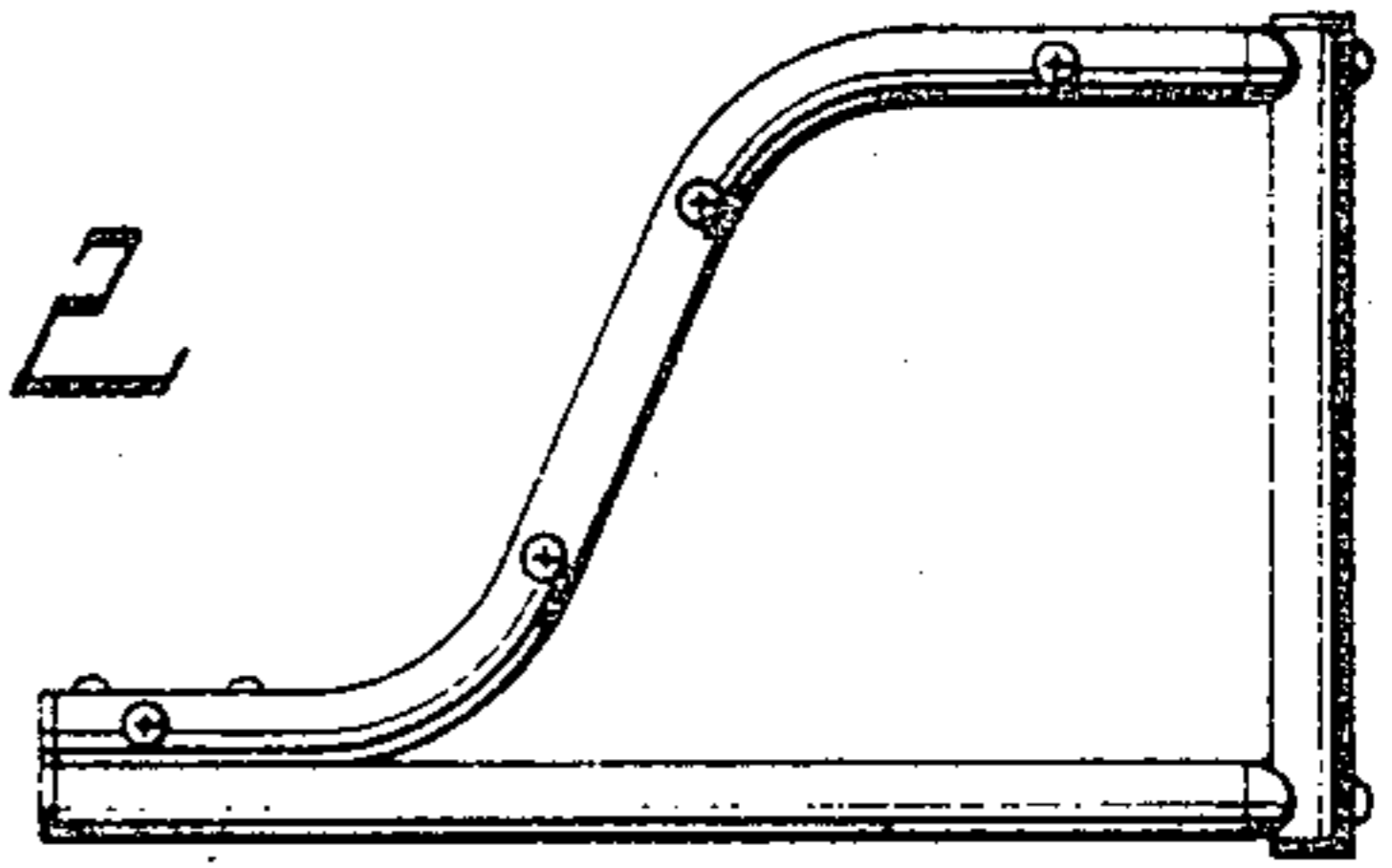


Fig. 3

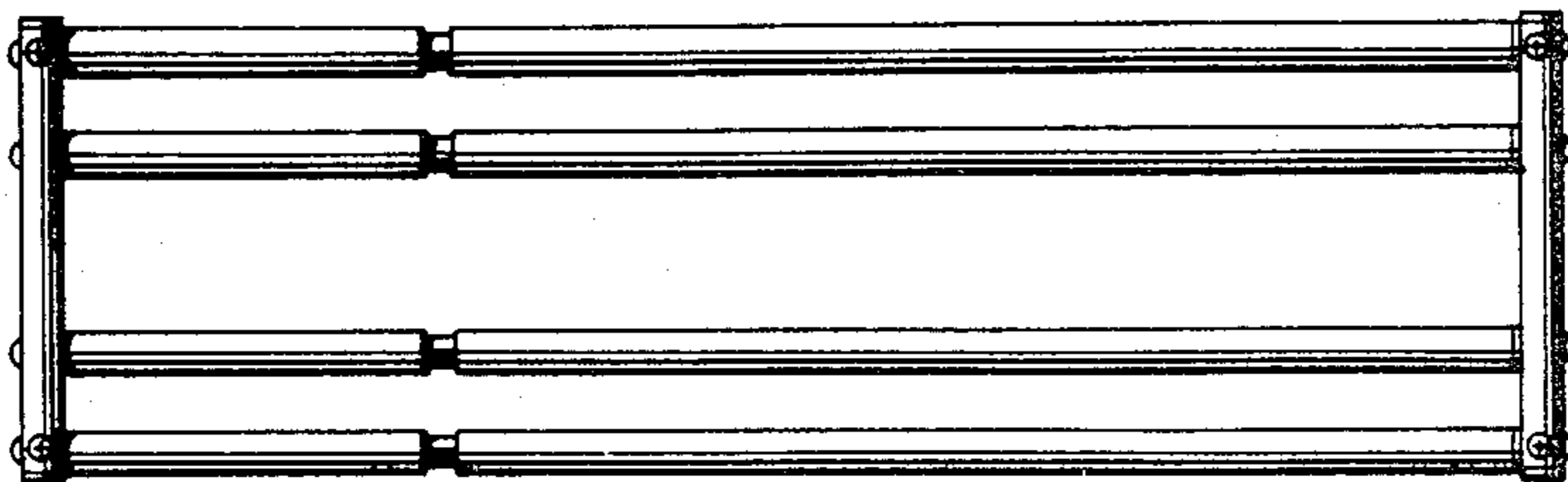
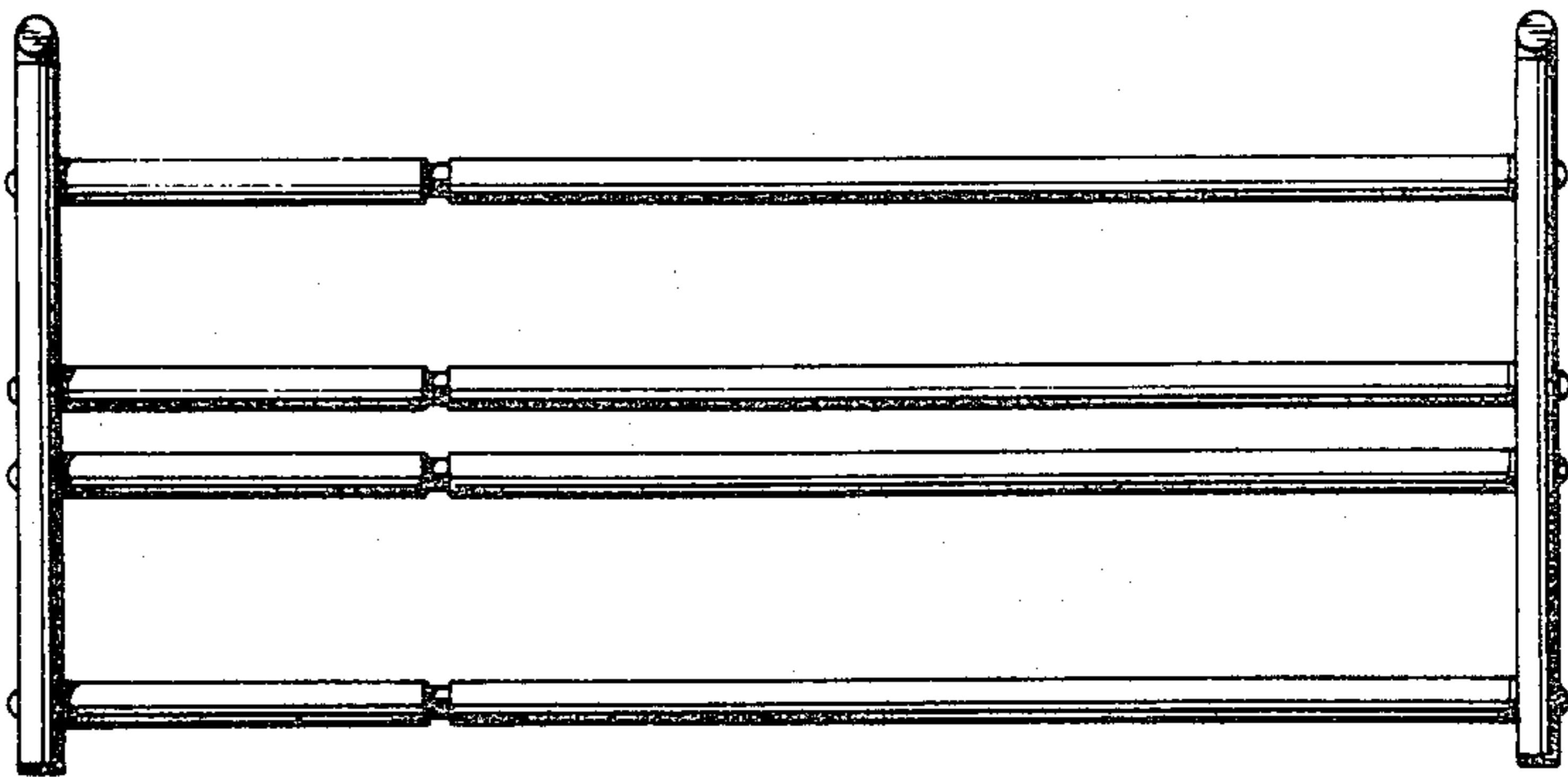


Fig. 4