

[54] **CAMERA-SUPPORTING PLATFORM  
INSERT FOR CAMERA BAGS**

[75] **Inventor: Stanley Uchin, Marlboro, N.J.**

[73] **Assignee: Louis Lefkowitz & Brother, Inc.,  
Milltown, N.J.**

[\*\*] **Term: 14 Years**

[21] **Appl. No.: 504,558**

[22] **Filed: Jun. 15, 1983**

[52] **U.S. Cl. .... D3/33**

[58] **Field of Search ..... D3/30.1, 33, 35, 54,  
D3/99; 150/52 J; 206/593, 316**

[56] **References Cited**

**U.S. PATENT DOCUMENTS**

D. 260,574	9/1981	Outcalt .....	D3/33
D. 268,879	5/1983	Outcalt .....	D3/33
3,912,137	10/1975	Tomatsuri .....	D3/33
4,260,904	4/1981	Domke .....	D3/33

*Primary Examiner*—George P. Word  
*Attorney, Agent, or Firm*—Sperry, Zoda & Kane

[57] **CLAIM**

The ornamental design for a camera-supporting platform insert for camera bags, as shown.

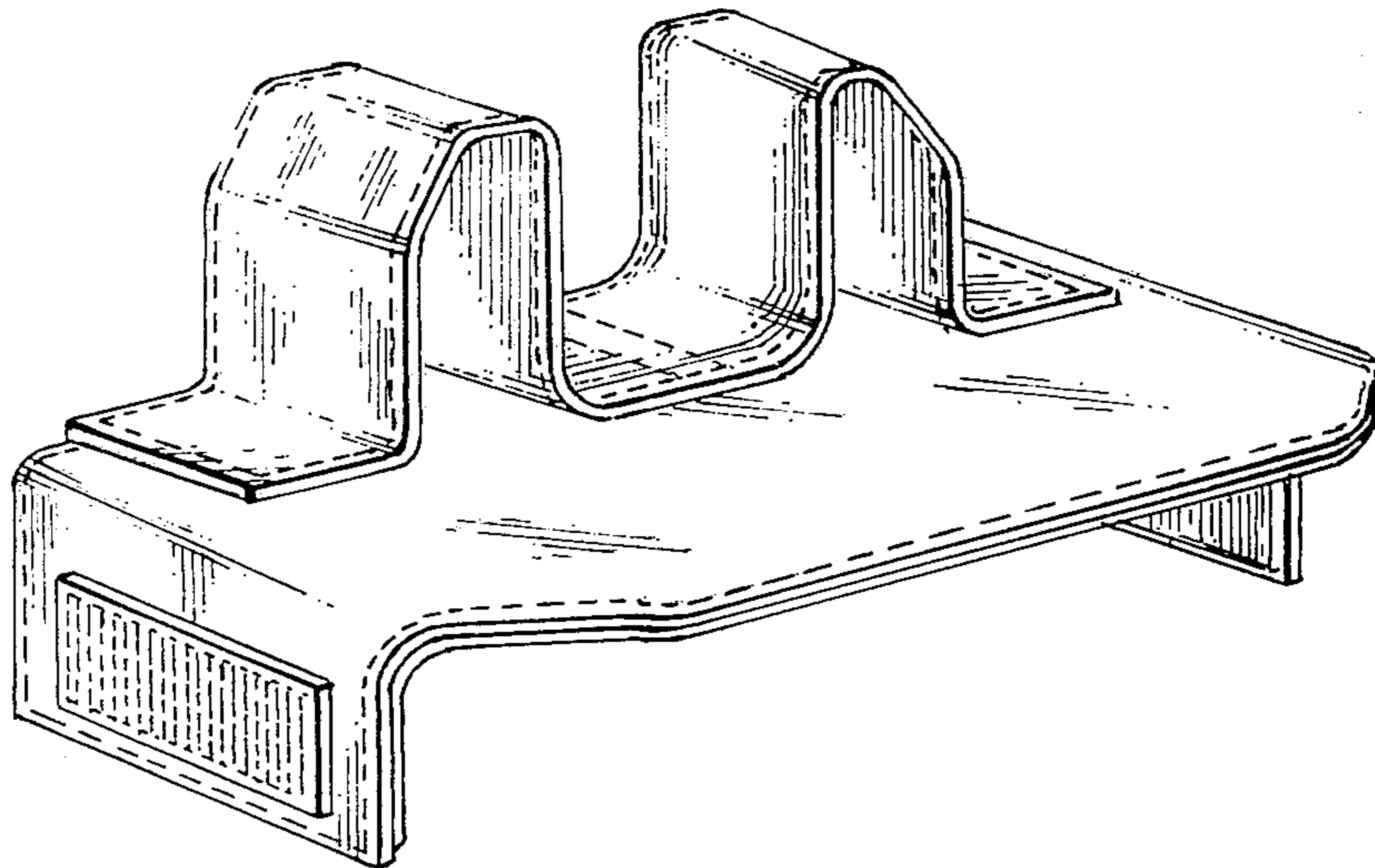
**DESCRIPTION**

FIG. 1 is a perspective view of a camera-supporting platform insert for camera bags, embodying my new design;

FIG. 2 is a front elevational view thereof;

FIG. 3 is an end elevational view; and

FIG. 4 is a top plan view.



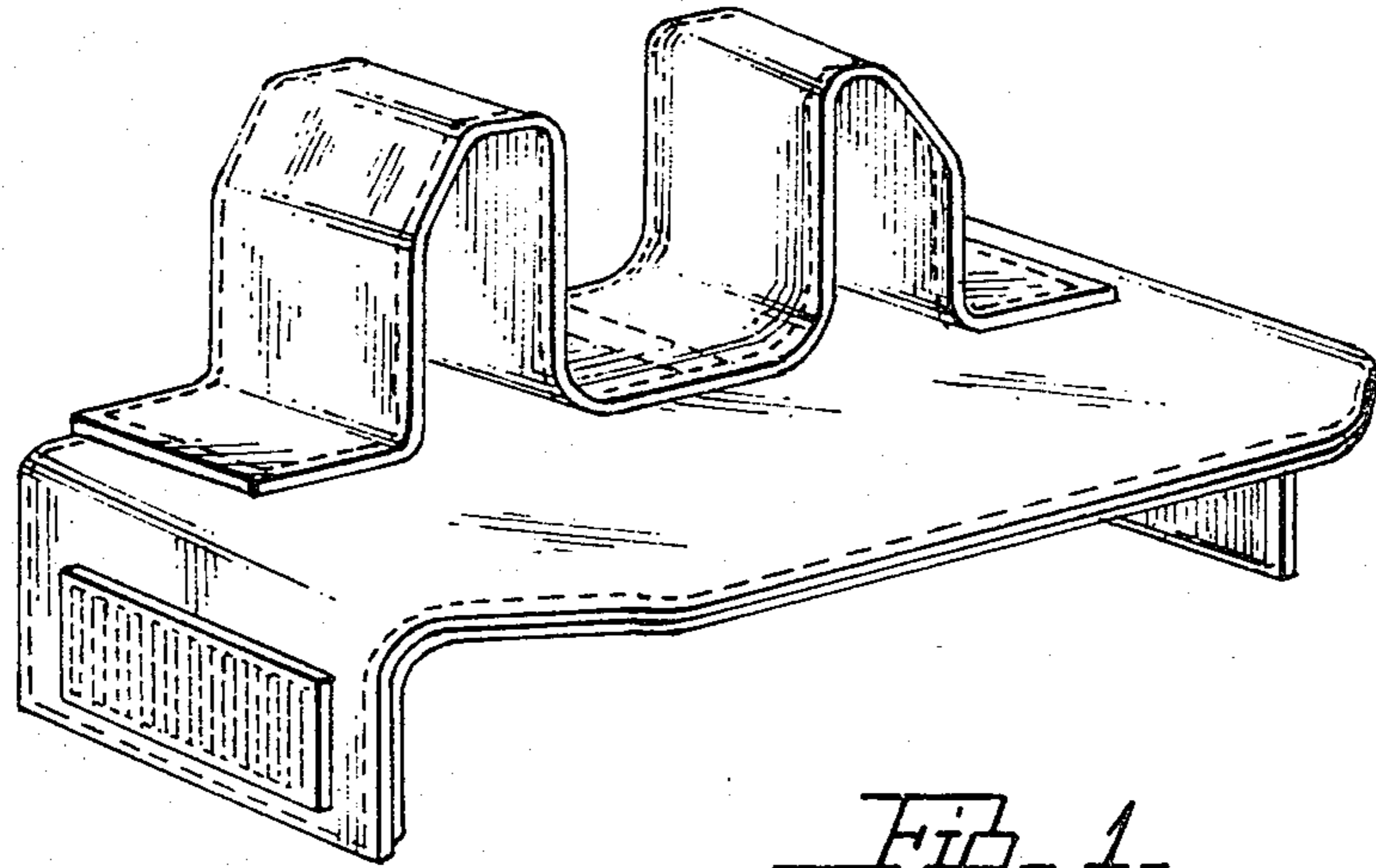


Fig. 1.

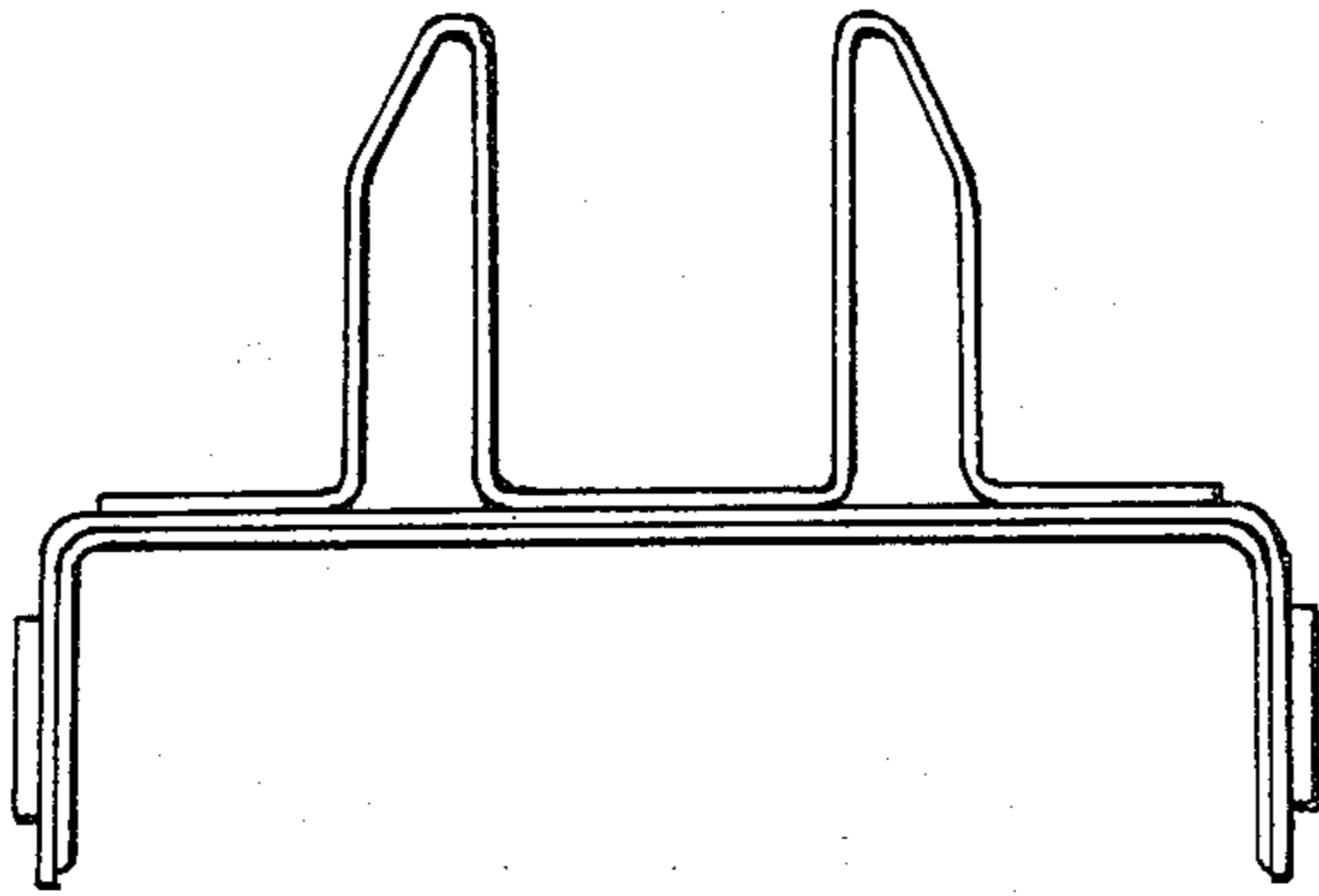


Fig. 2.

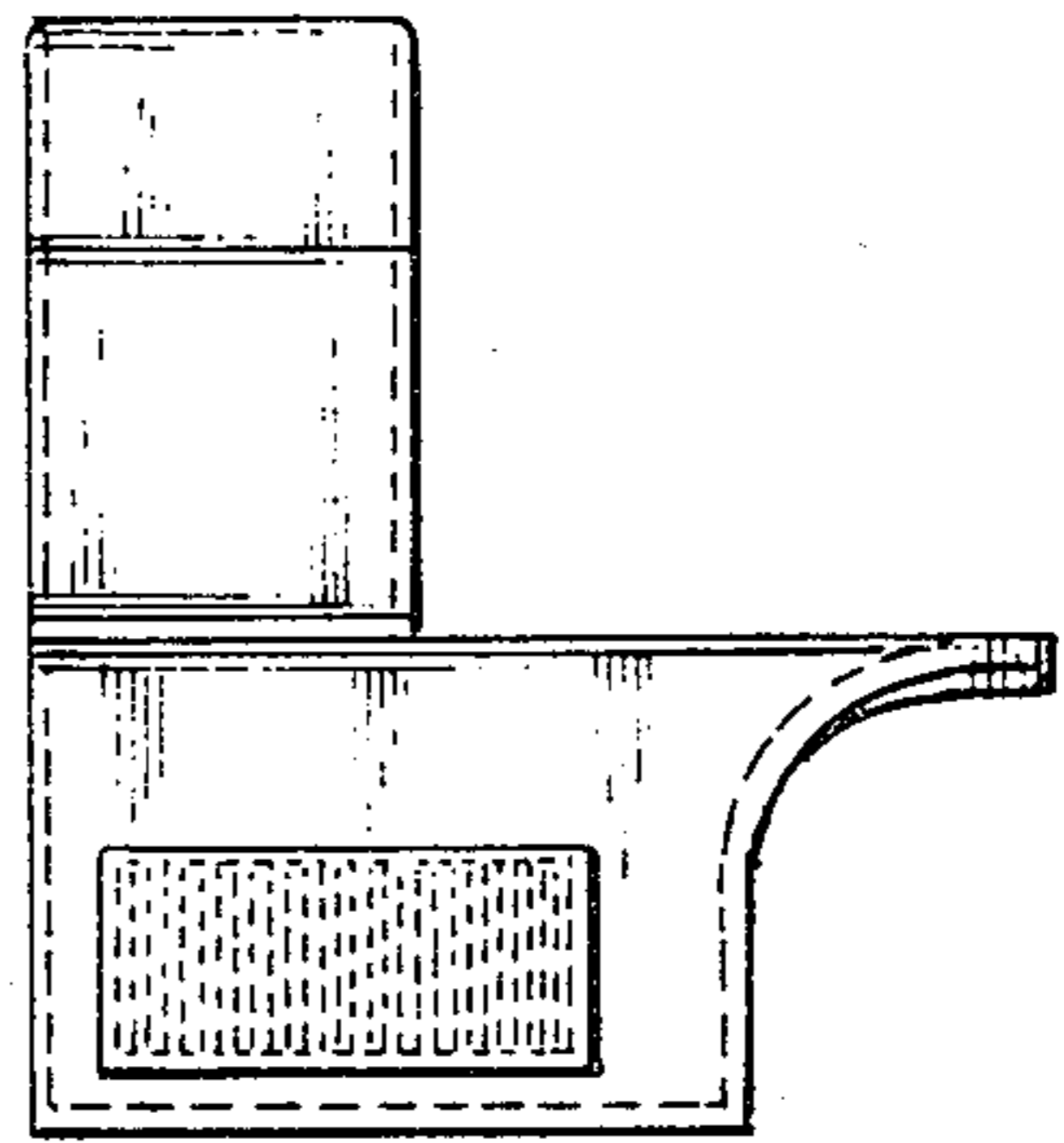


Fig. 3.

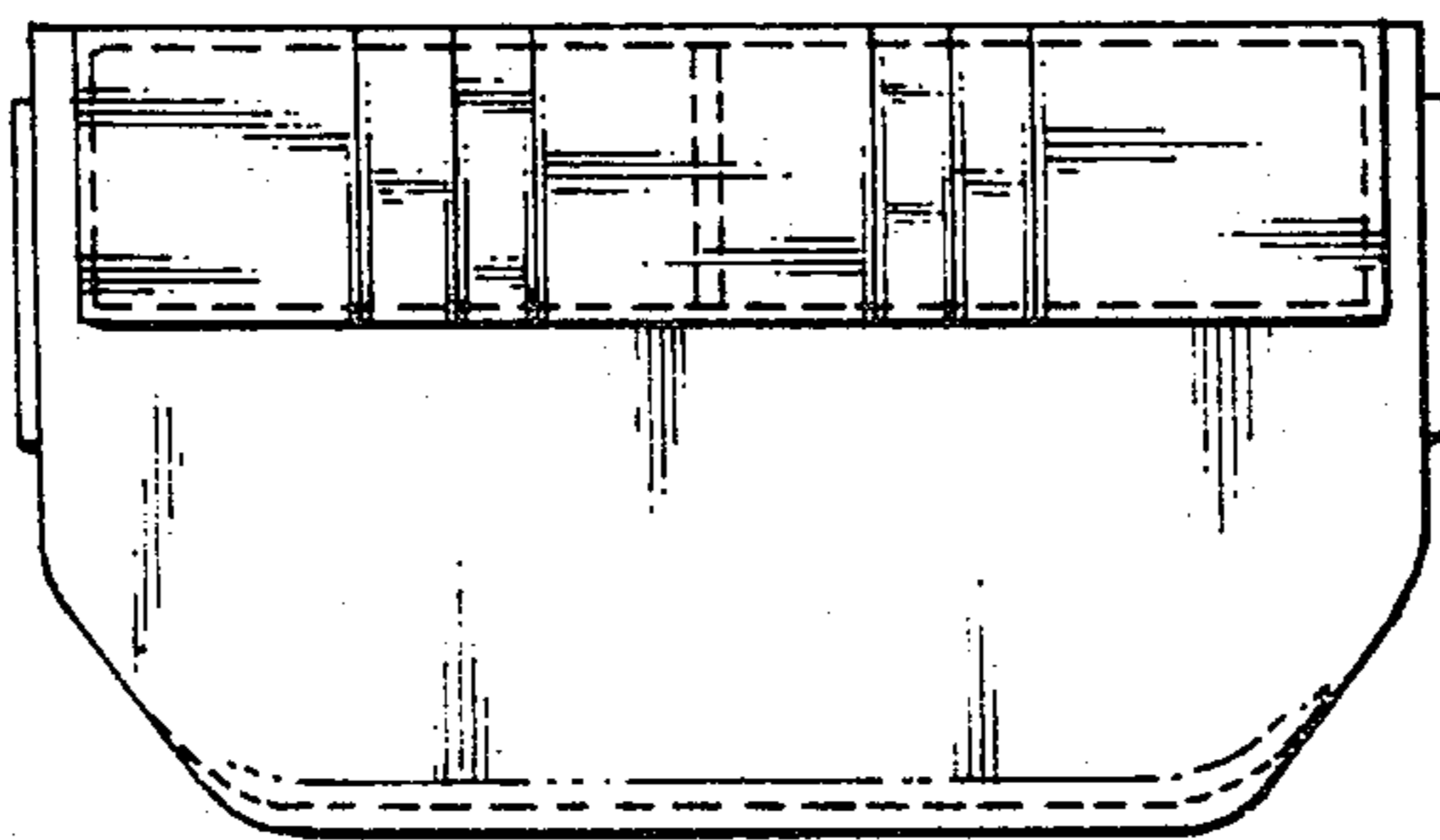


Fig. 4.