

[54] SELF-POWERED DROGUE LIGHT

[75] Inventors: Jerome Brillo; Harry H. Dooley, both of Tucson, Ariz.

[73] Assignee: TLS Systems, Inc., Tucson, Ariz.

[**] Term: 14 Years

[21] Appl. No.: 485,447

[22] Filed: Apr. 15, 1983

[52] U.S. Cl. D26/24

[58] Field of Search D26/28-37, D26/24; 362/61, 72, 80, 82, 83, 84, 62, 63, 235, 267, 297, 310, 311, 362, 157, 158, 257

[56] References Cited

U.S. PATENT DOCUMENTS

D. 48,251	12/1915	Novy	D26/30
D. 57,890	5/1921	Collier	D26/28
2,175,072	10/1939	Wompey	362/257 X
3,196,266	7/1965	Grosser	D26/36 X
3,819,926	6/1974	Hess	362/311
4,288,845	9/1981	Finsness et al.	362/62 X
4,380,788	4/1983	Korski	362/62

OTHER PUBLICATIONS

Kliegl Bos-Exit Signs, Illuminated Signs & Walk Lights Catalog Supplement #54-A, 1953, p. 3. Exit Light #690.

Primary Examiner—Susan J. Lucas
Attorney, Agent, or Firm—Christie, Parker & Hale

[57] CLAIM

The ornamental design for a self-powered drogue light, substantially as shown and described.

DESCRIPTION

FIG. 1 is a right side elevation view, partially broken away, of a self-powered drogue light showing the new design;

FIG. 2 is a front elevation view thereof;

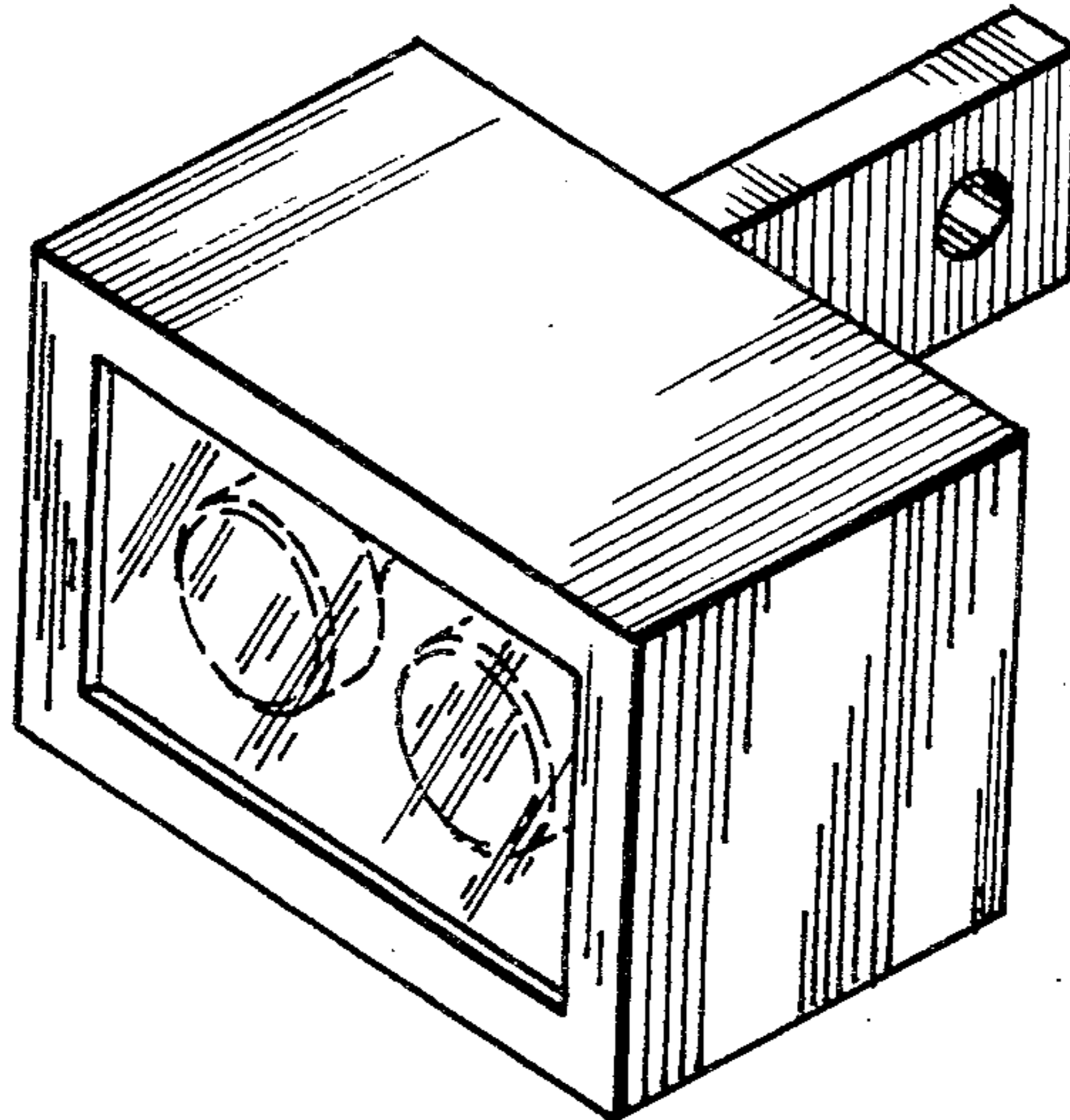
FIG. 3 is a bottom plan view thereof;

FIG. 4 is a rear elevation view thereof;

FIG. 5 is a top front perspective view thereof; and

FIG. 6 is a top rear perspective view thereof.

A left side elevation view thereof is the mirror image of FIG. 1. A top plan view thereof is the mirror image of FIG. 3.



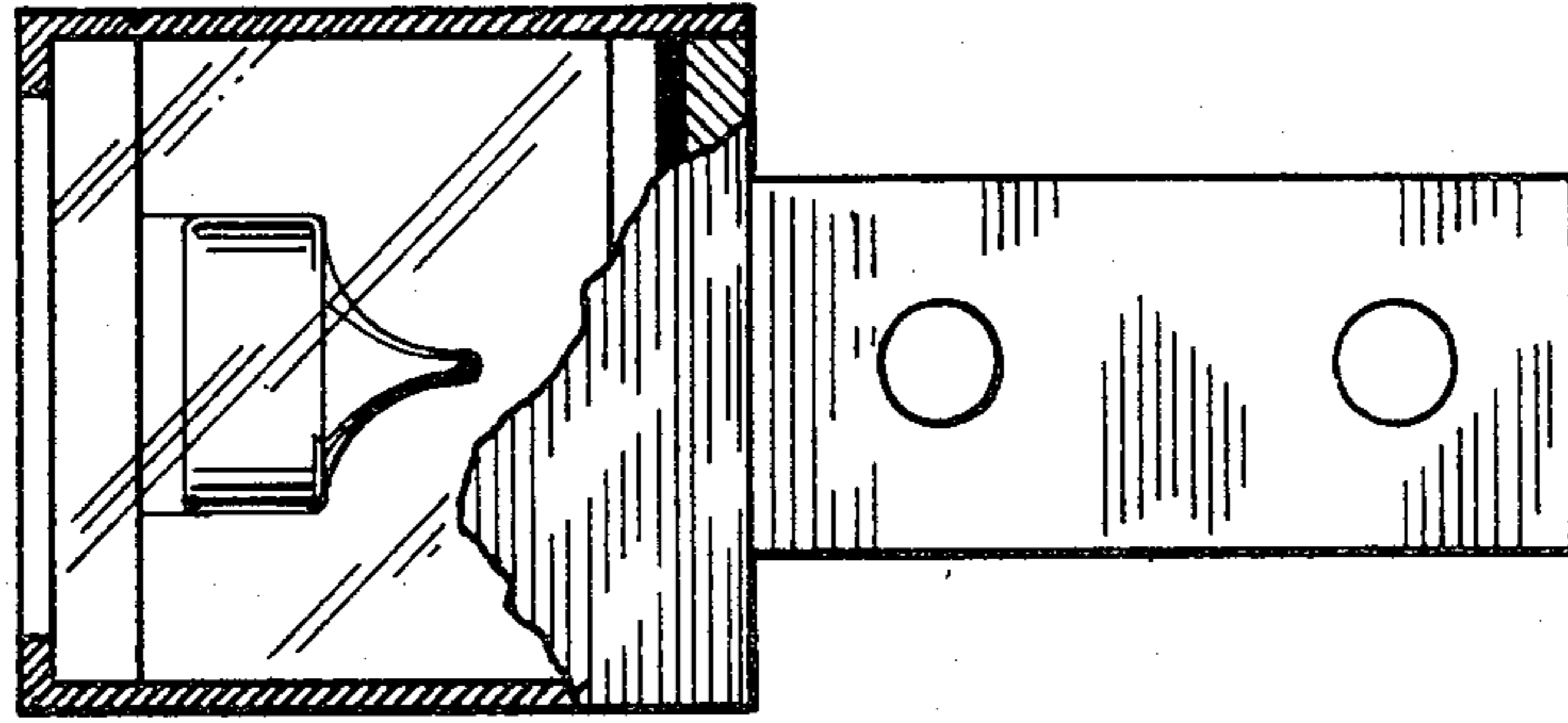


FIG. 1

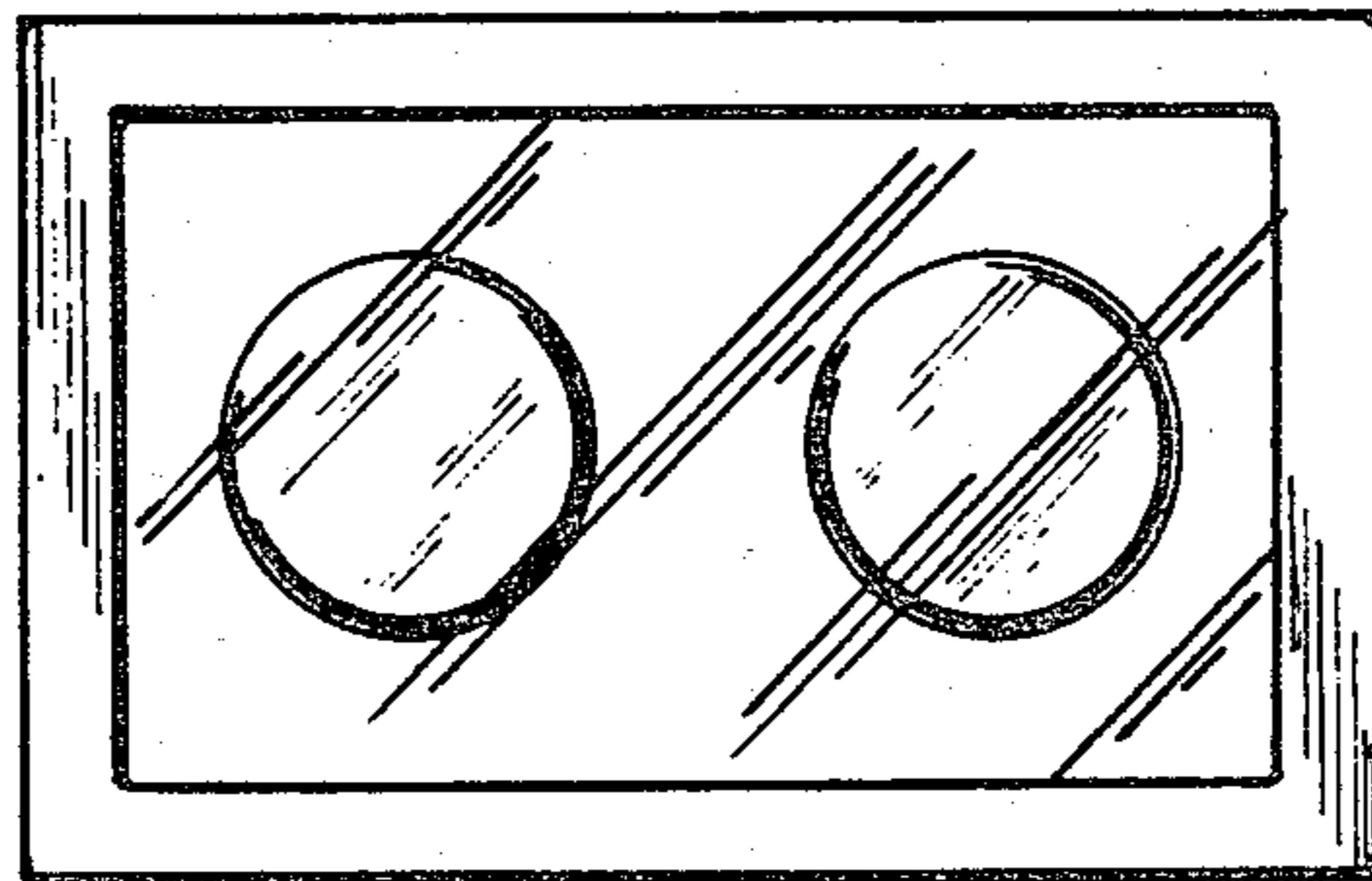


FIG. 2

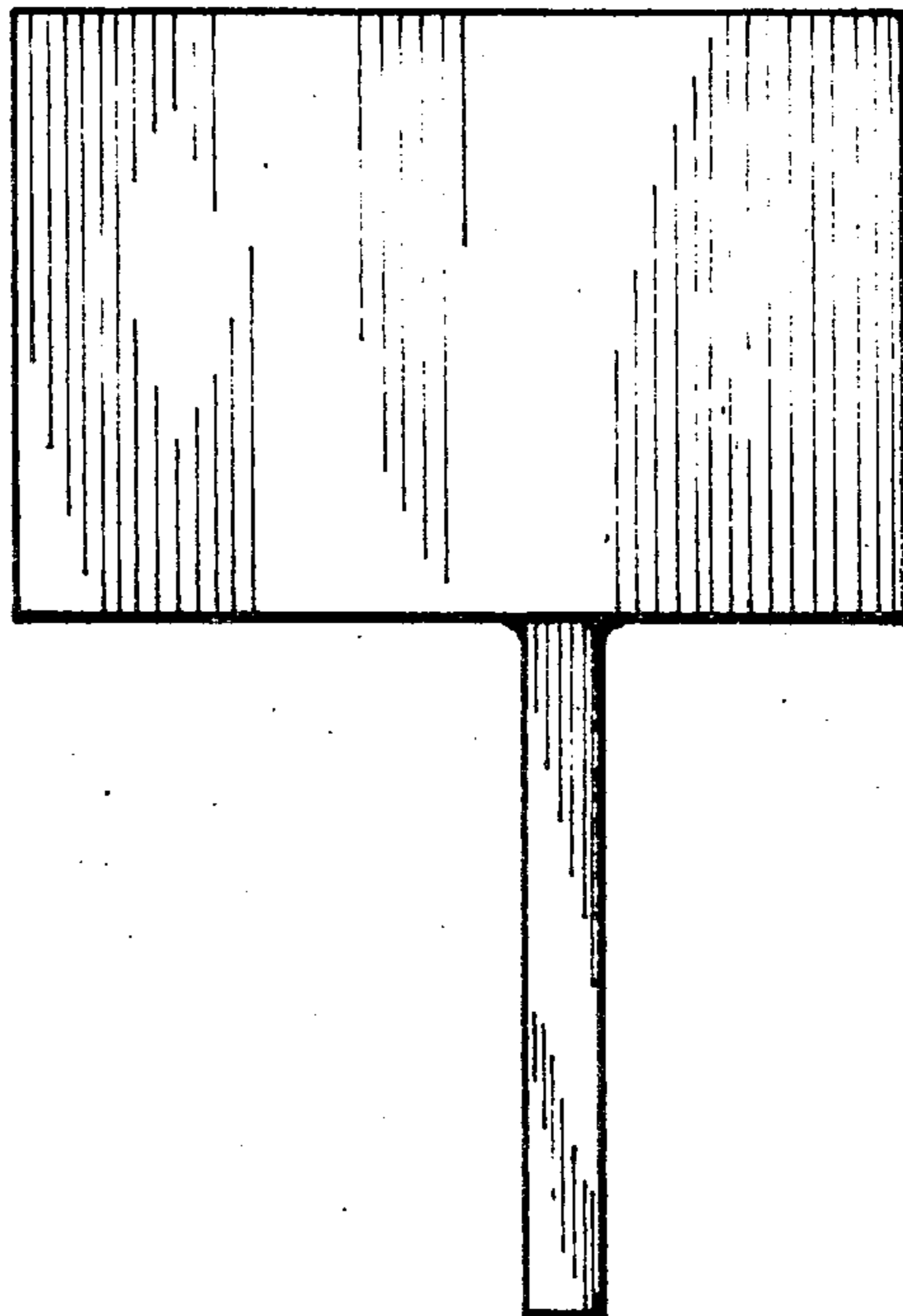


FIG. 3

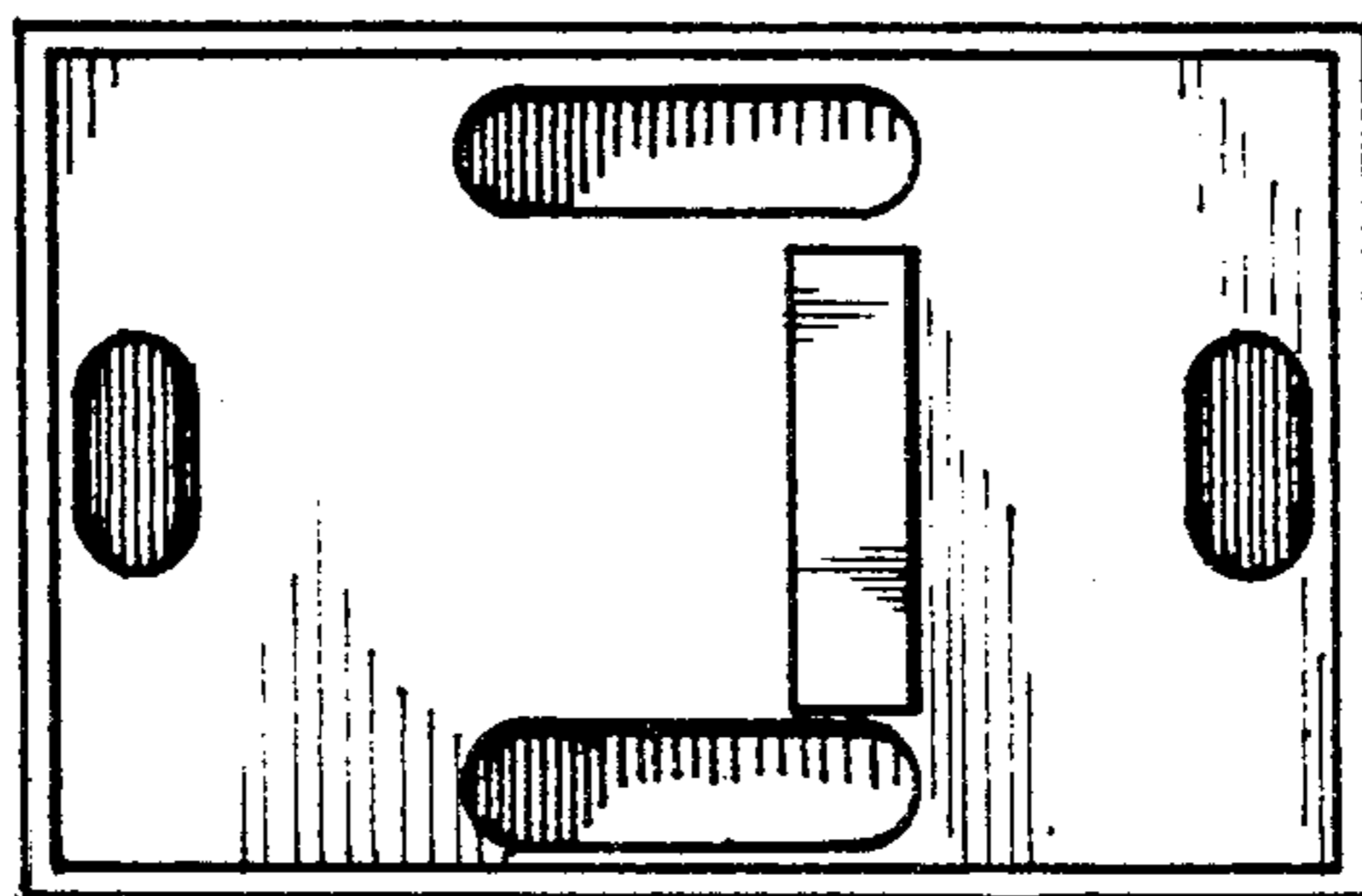


FIG. 4

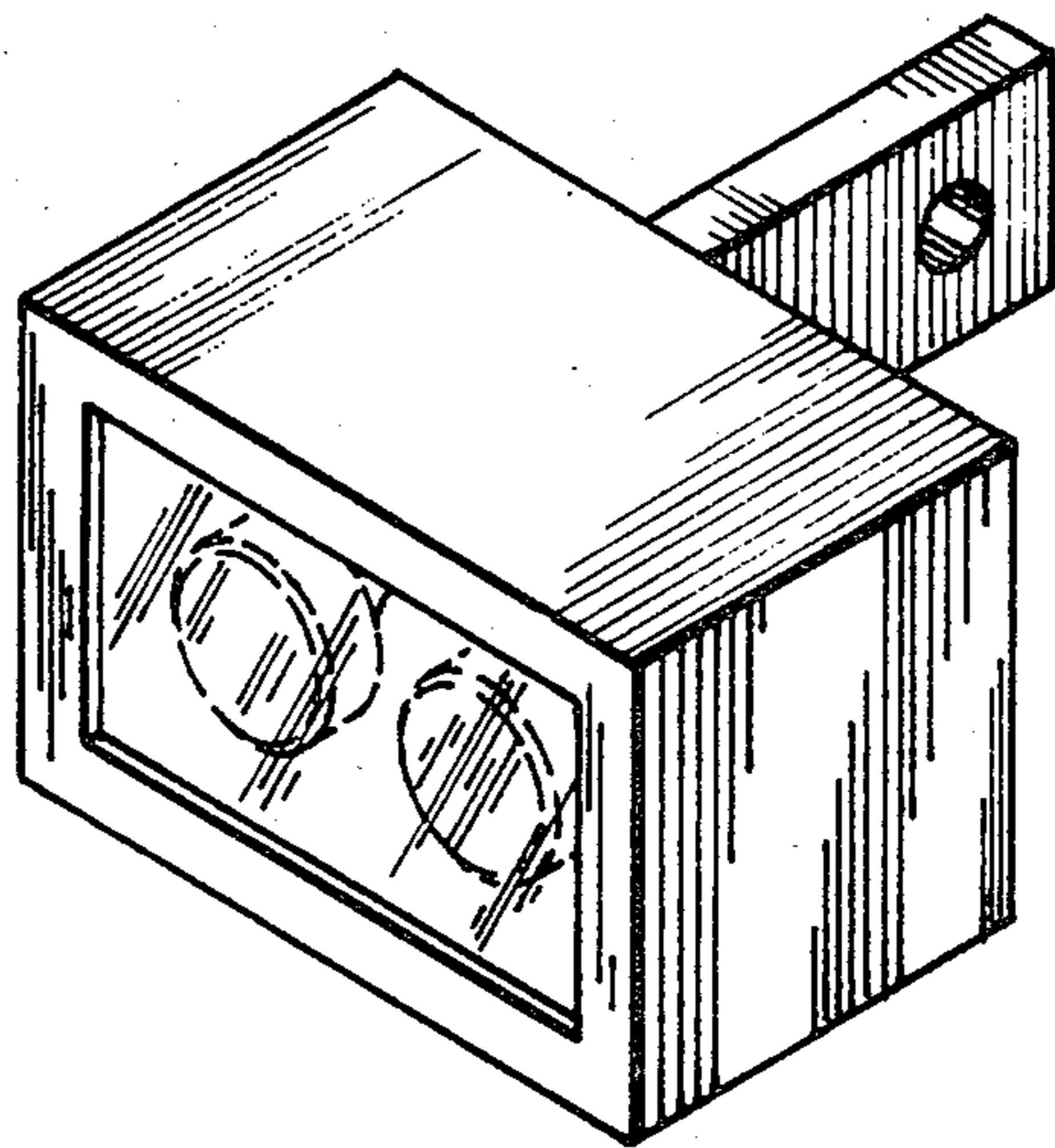


FIG. 5

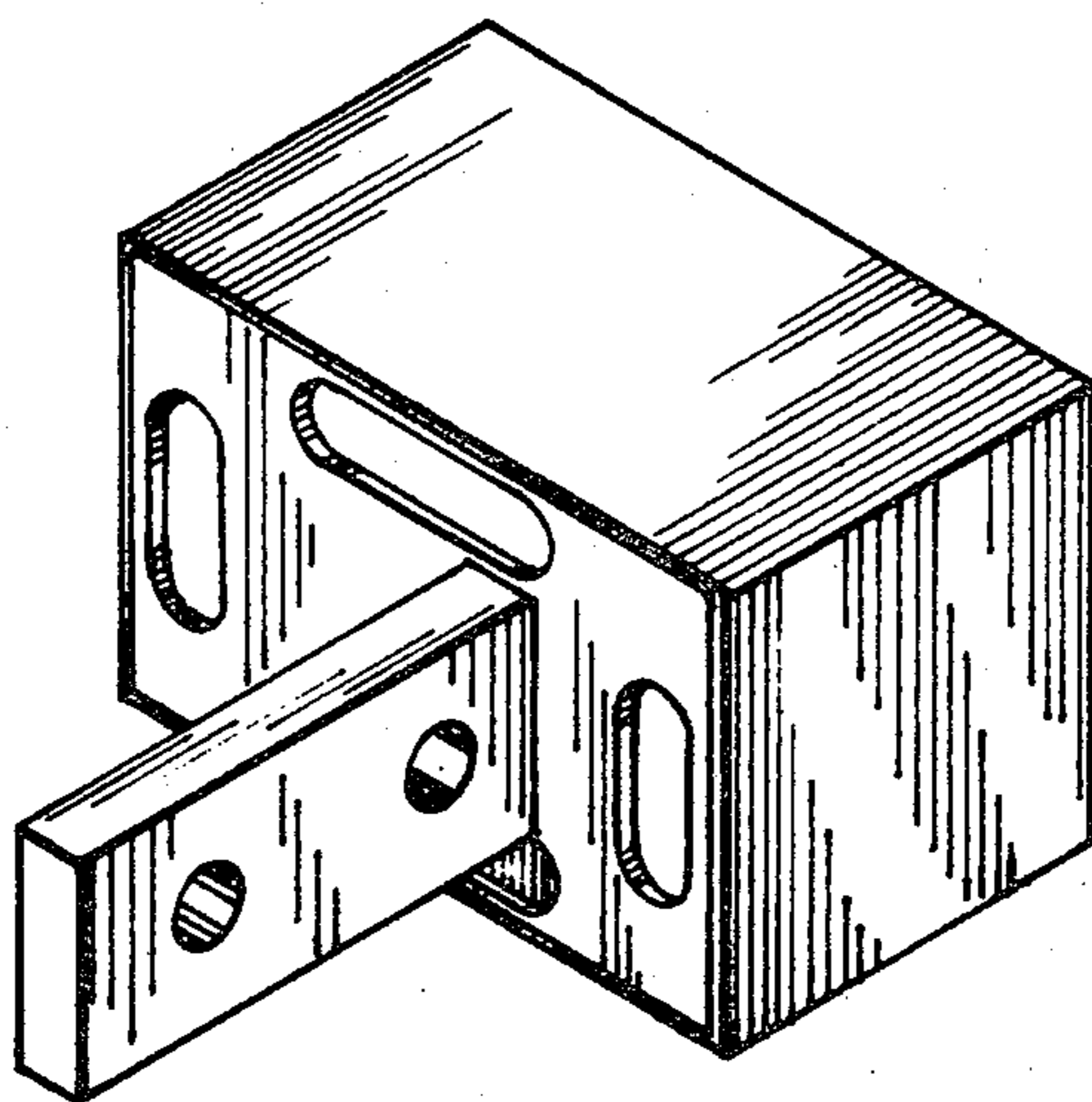


FIG. 6