

[54] **MOLDED FULL BASE DENTAL CAST**

[75] **Inventor: Ronald E. Huffman, Tucson, Ariz.**

[73] **Assignee: KV33 Corporation, Tucson, Ariz.**

[*] **Notice:** The portion of the term of this patent subsequent to Apr. 22, 2000 has been disclaimed.

[**] **Term: 14 Years**

[21] **Appl. No.: 488,421**

[22] **Filed: Apr. 25, 1983**

[52] **U.S. Cl. D24/16**

[58] **Field of Search D24/4, 5, 8, 10, 16; 433/54-67, 34-36, 213; 249/54, 19-125; 264/313, 16-18**

[56] **References Cited**

U.S. PATENT DOCUMENTS

| | | | |
|-----------|---------|--------------------|--------|
| 2,138,254 | 11/1938 | Mink | 433/56 |
| 2,786,272 | 3/1957 | Lindley | 433/60 |
| 3,727,311 | 4/1973 | Schoonebeek | 433/54 |
| 3,823,476 | 7/1974 | Hudson et al. | 433/54 |

| | | | |
|-----------|---------|-------------------|-----------|
| 4,030,197 | 6/1977 | Linck et al. | 433/60 |
| 4,189,835 | 2/1980 | Seldin | 433/55 X |
| 4,265,619 | 5/1981 | Lucki et al. | 433/213 X |
| 4,319,875 | 3/1982 | Beckwith | 433/60 |
| 4,481,162 | 11/1984 | Huffman | 249/54 X |
| 4,496,320 | 1/1985 | Hwang et al. | 433/60 |

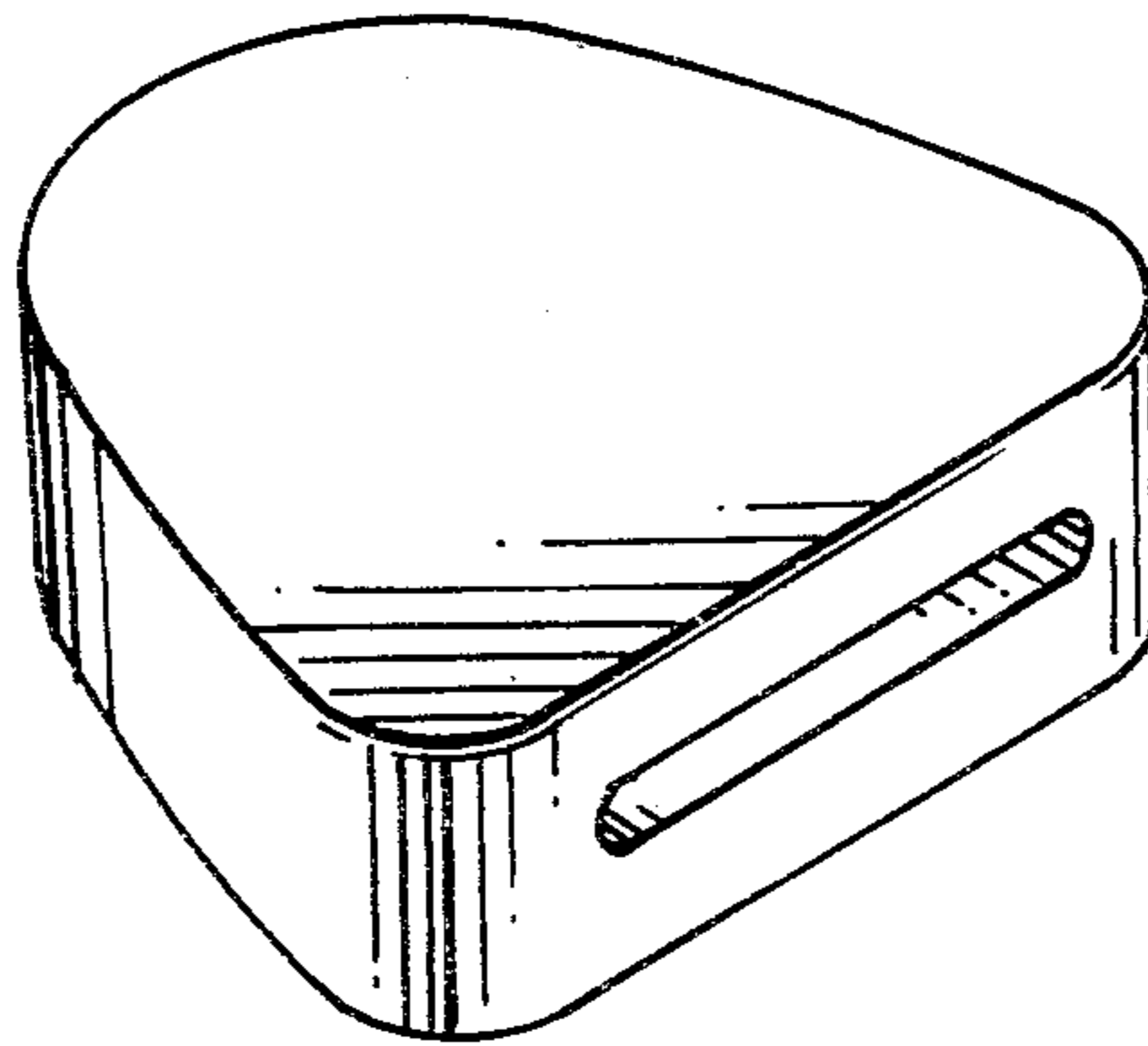
Primary Examiner—Catherine E. Kemper
Attorney, Agent, or Firm—Cahill, Sutton & Thomas

[57] **CLAIM**

The ornamental design for a molded full base dental cast, as shown and described.

DESCRIPTION

FIG. 1 is a perspective view of a molded full base dental cast showing my new design;
 FIG. 2 is a top plan view thereof;
 FIG. 3 is a rear elevational view thereof;
 FIG. 4 is a bottom plan view thereof;
 FIG. 5 is a right side elevational view thereof taken along lines 5—5 as shown in FIG. 4, the left side elevational view is a mirror image; and
 FIG. 6 is a front elevational view thereof taken along lines 6—6, as shown in FIG. 4.



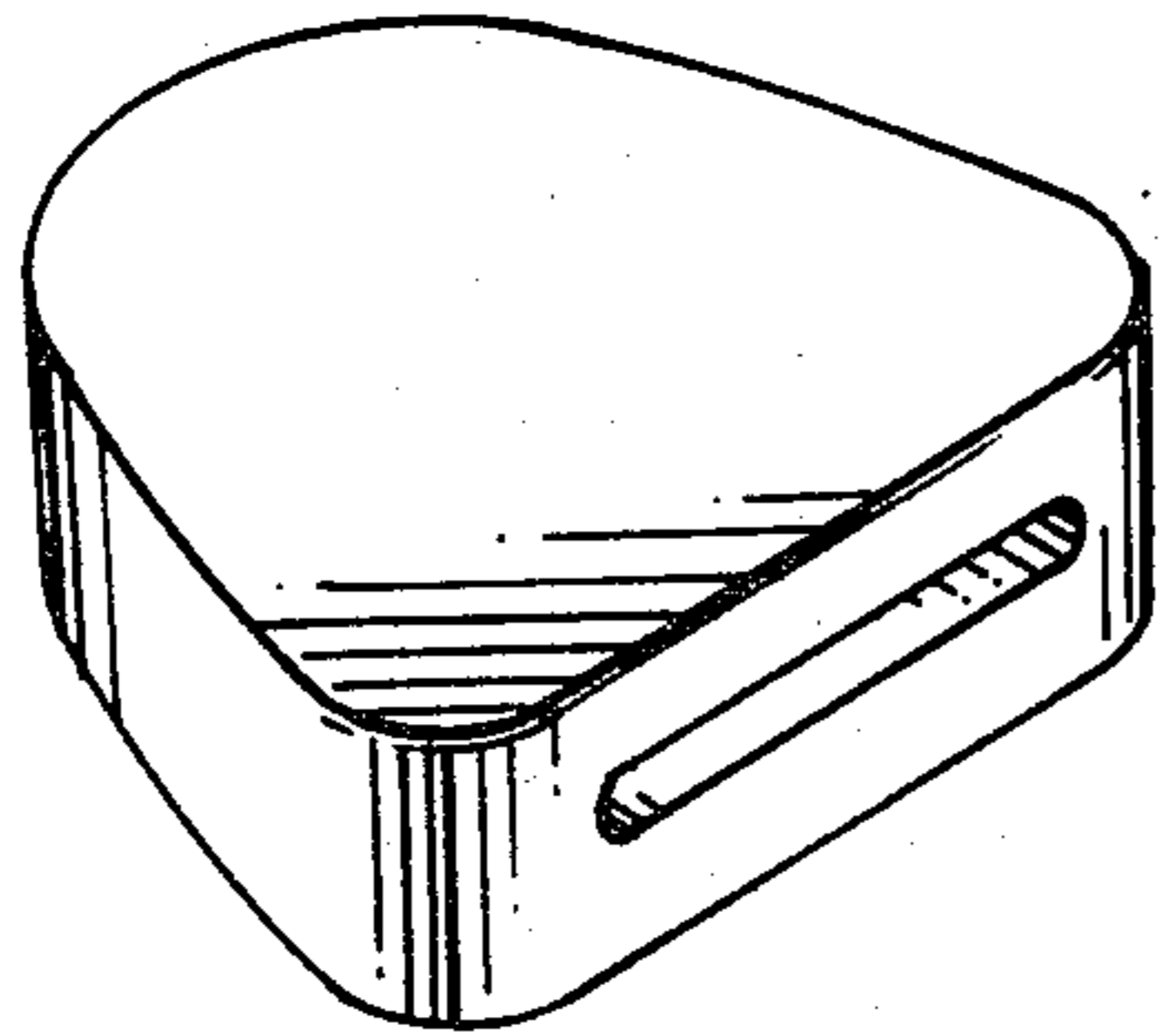


fig. 1

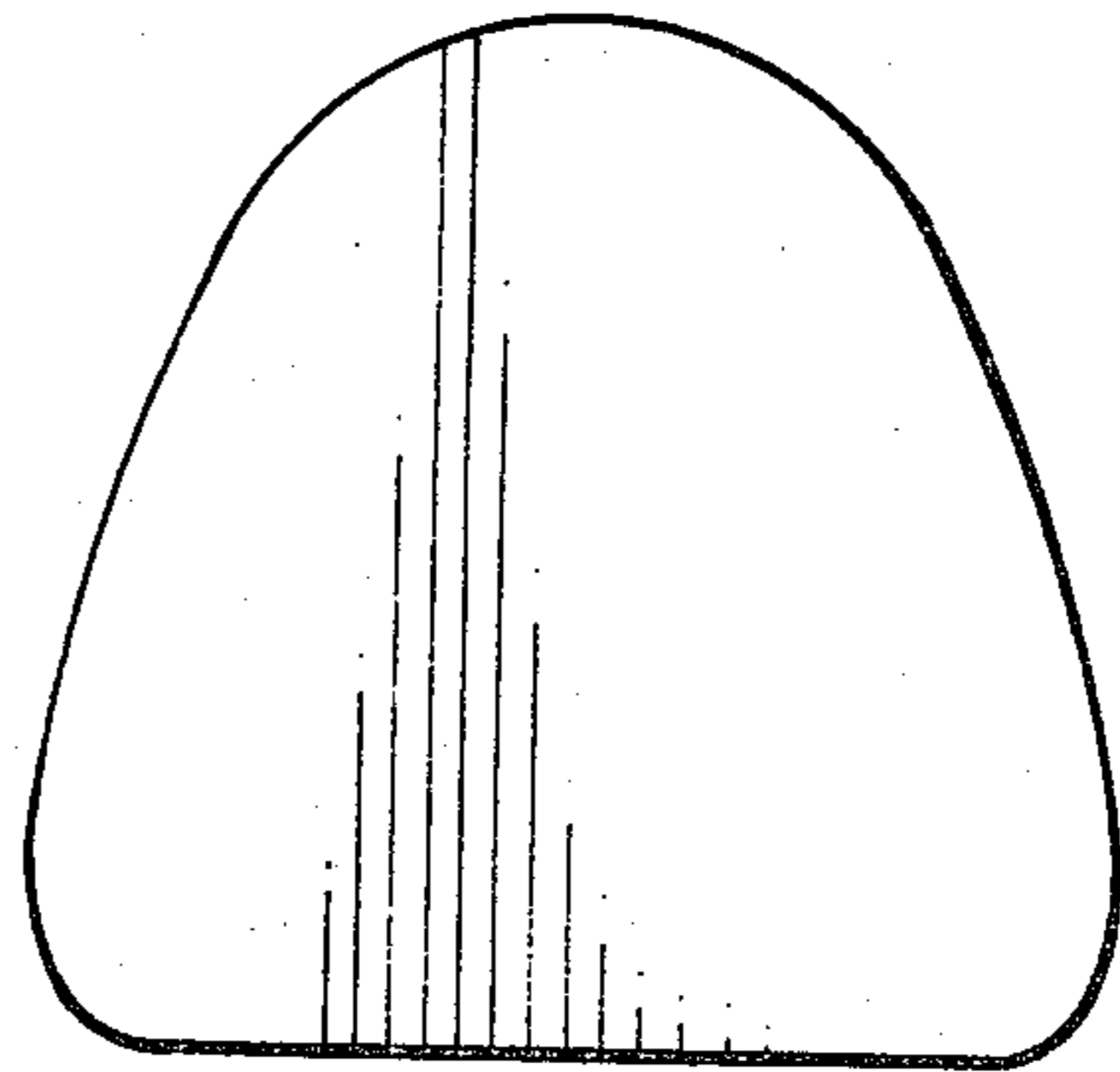


fig. 2

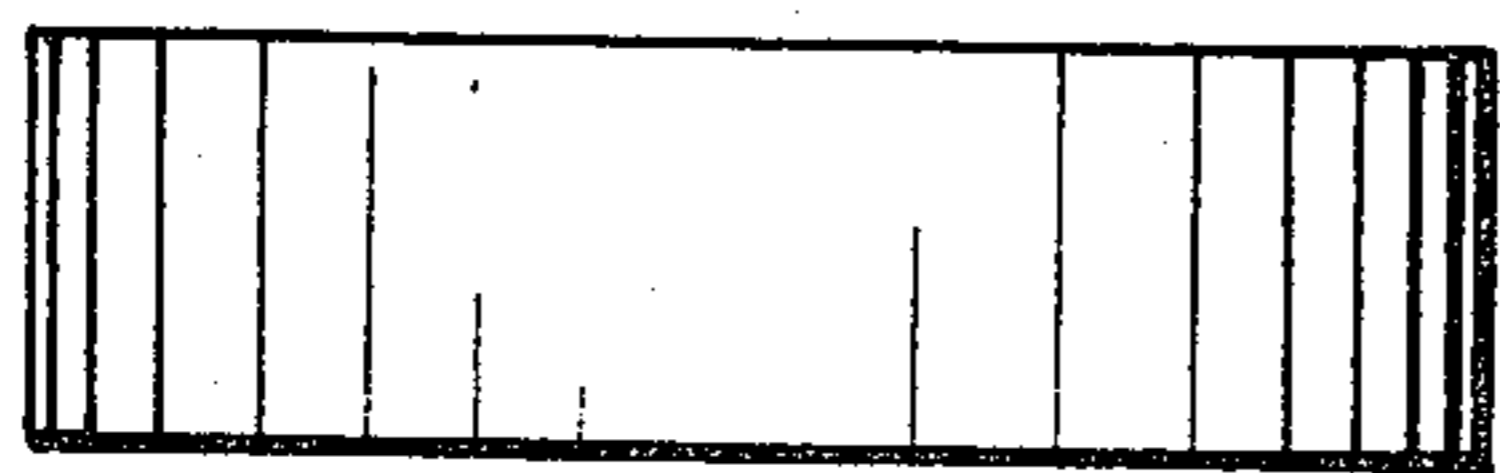


fig. 6

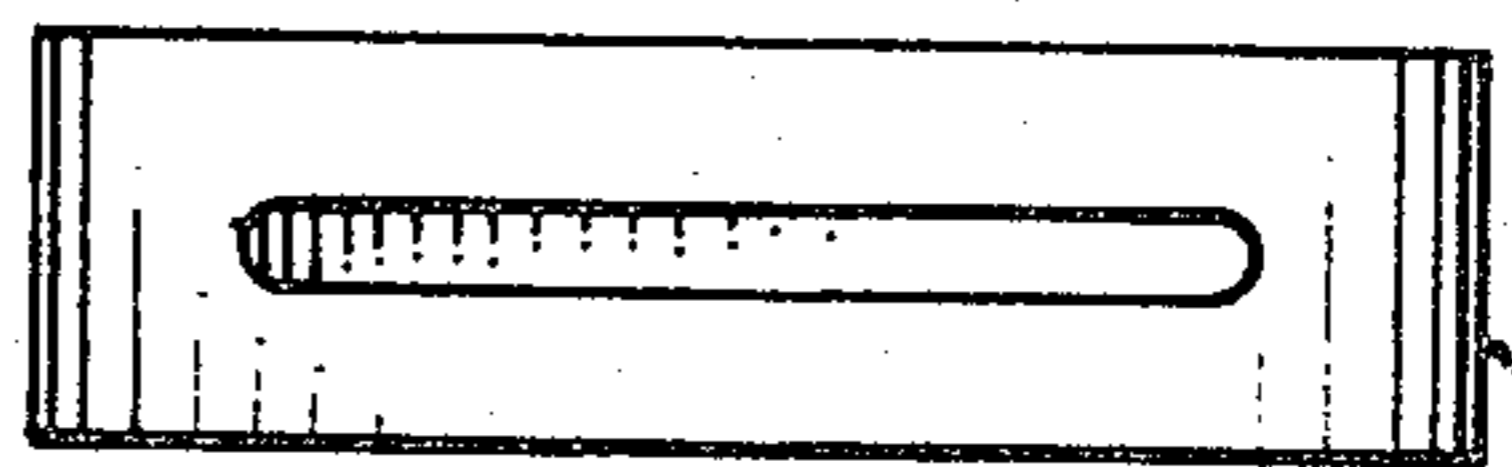


fig. 3

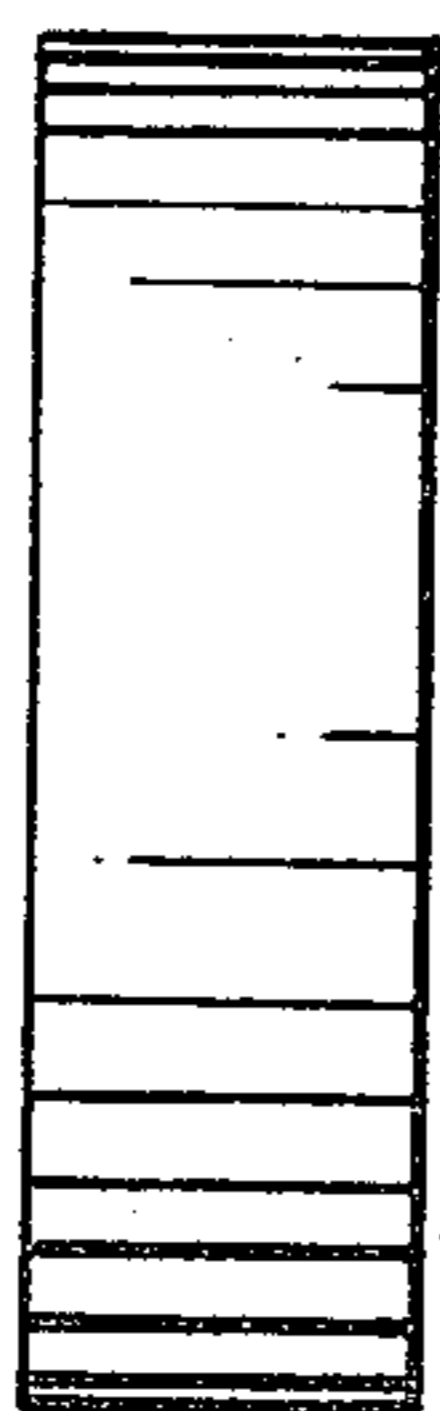


fig. 5

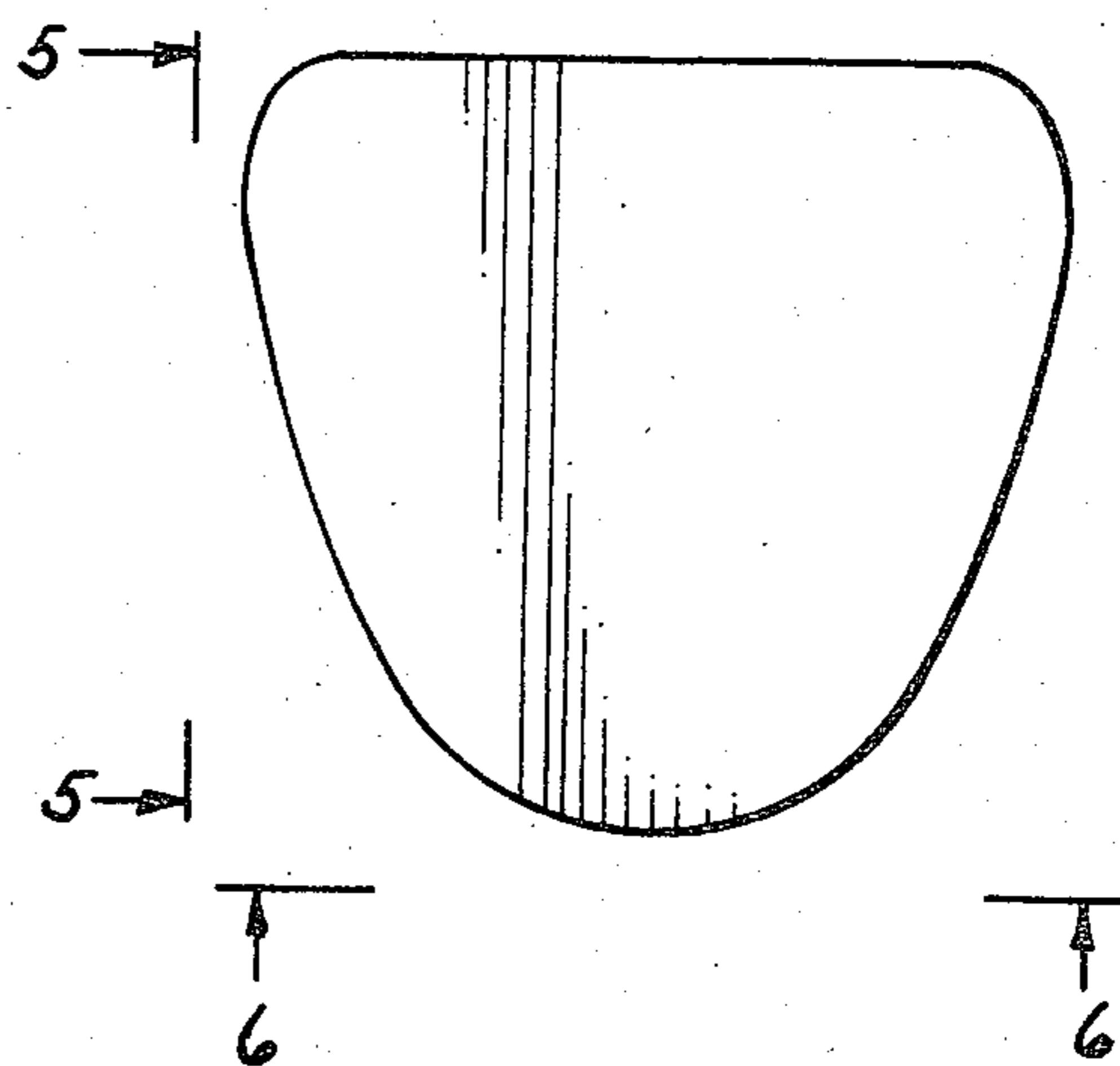


fig. 4