

[54] MOLDED FULL BASE DENTAL CAST WITH PEDESTAL

[75] Inventor: Ronald E. Huffman, Tucson, Ariz.

[73] Assignee: KV33 Corporation, Tucson, Ariz.

[*] Notice: The portion of the term of this patent subsequent to Apr. 22, 2000 has been disclaimed.

[**] Term: 14 Years

[21] Appl. No.: 488,420

[22] Filed: Apr. 25, 1983

[52] U.S. Cl. D24/16

[58] Field of Search D24/4, 5, 8, 10, 16; 433/54-67, 34-36, 213; 249/54, 119-125; 264/313, 16-18

[56] References Cited

U.S. PATENT DOCUMENTS

2,138,254	11/1938	Mink	433/56
2,786,272	3/1957	Lindley	433/60
3,727,311	4/1973	Schoonebeek	433/54

3,823,476	7/1974	Hudson et al.	433/54
4,030,197	6/1977	Linck et al.	433/60
4,189,835	2/1980	Seldin	433/55 X
4,265,619	5/1981	Lucki et al.	433/213 X
4,319,875	3/1982	Beckwith	433/60
4,481,162	11/1984	Huffman	249/54 X
4,496,320	1/1985	Hwang et al.	433/60

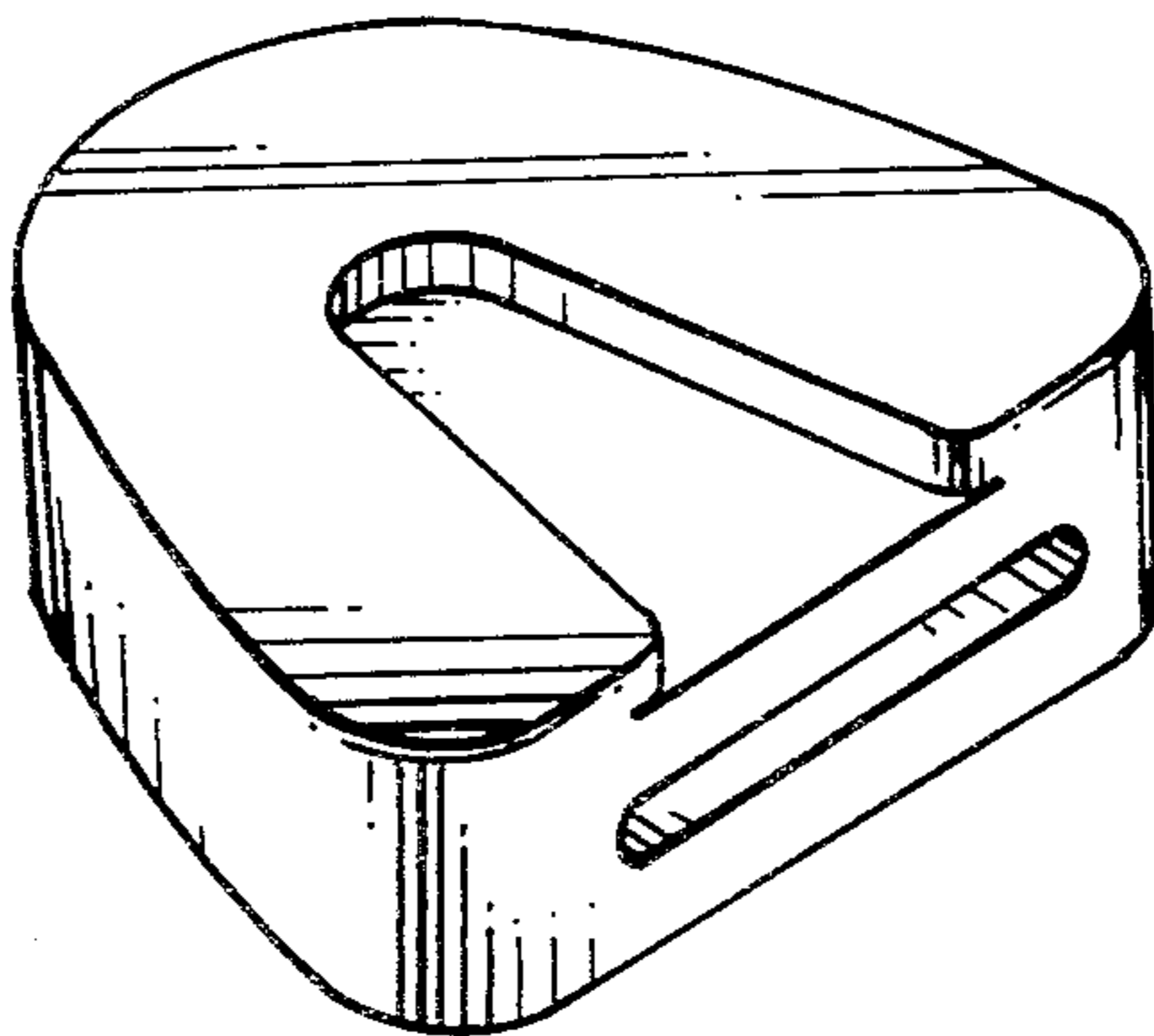
Primary Examiner—Catherine E. Kemper
Attorney, Agent, or Firm—Cahill, Sutton & Thomas

[57] CLAIM

The ornamental design for a molded full base dental cast with pedestal, as shown and described.

DESCRIPTION

FIG. 1 is a perspective view of a molded full base dental cast having a pedestal and showing my new design; FIG. 2 is a top plan view thereof; FIG. 3 is a rear elevational view thereof; FIG. 4 is a bottom plan view thereof; FIG. 5 is a right side elevational view thereof taken along lines 5—5 as shown in FIG. 4, the left side elevational view being a mirror image; and FIG. 6 is a front elevational view thereof taken along lines 6—6, as shown in FIG. 4.



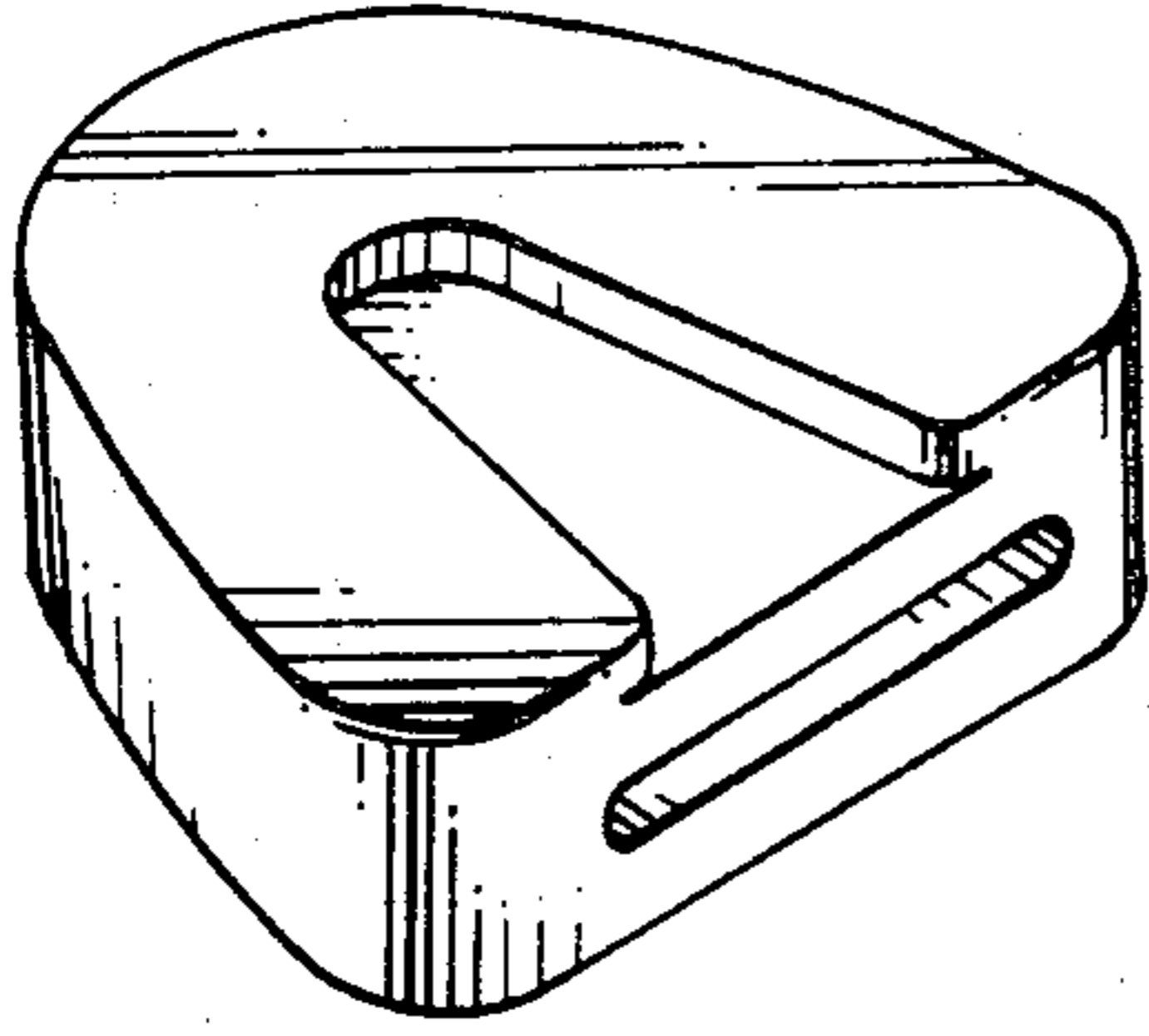


fig. 1

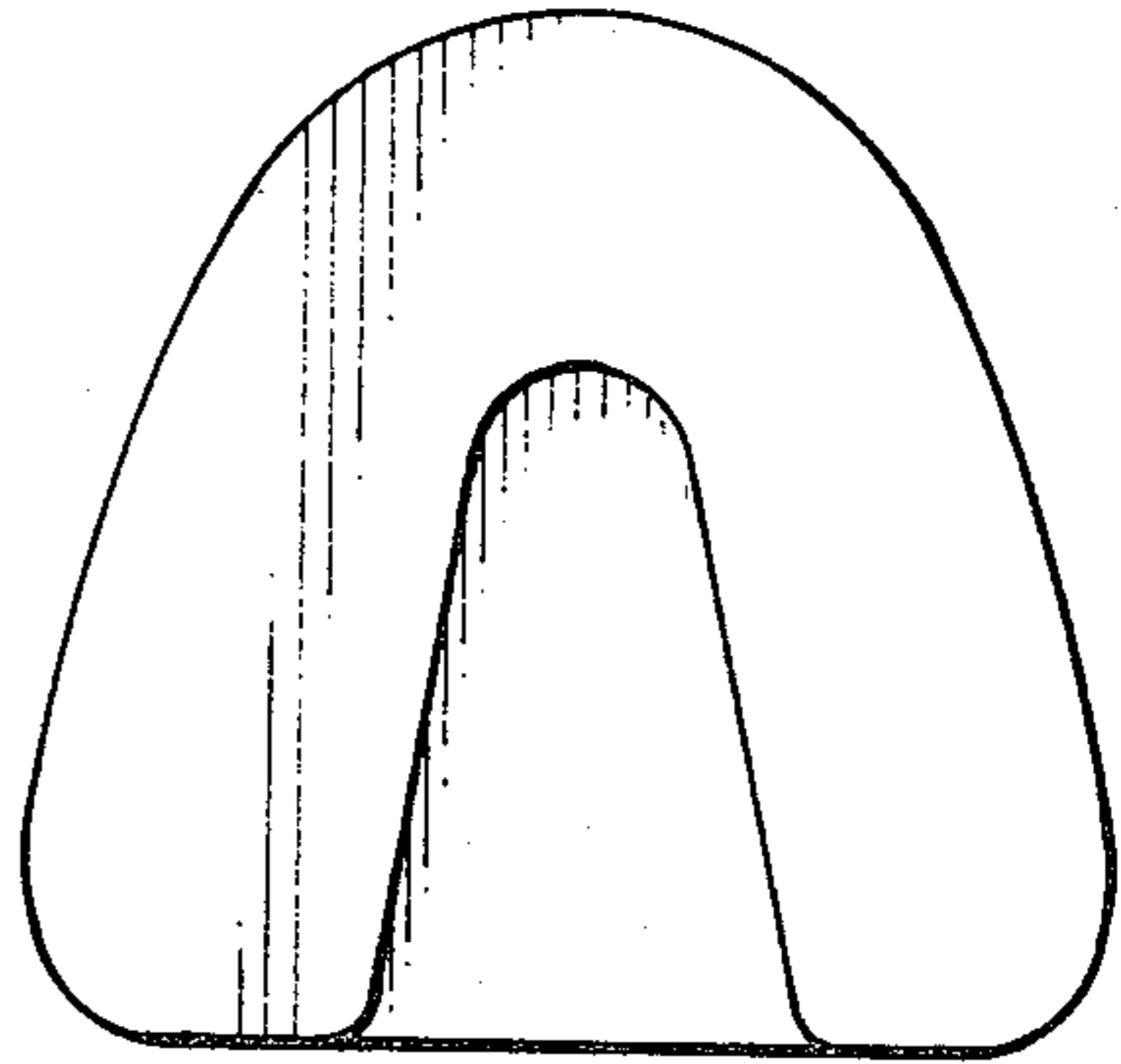


fig. 2

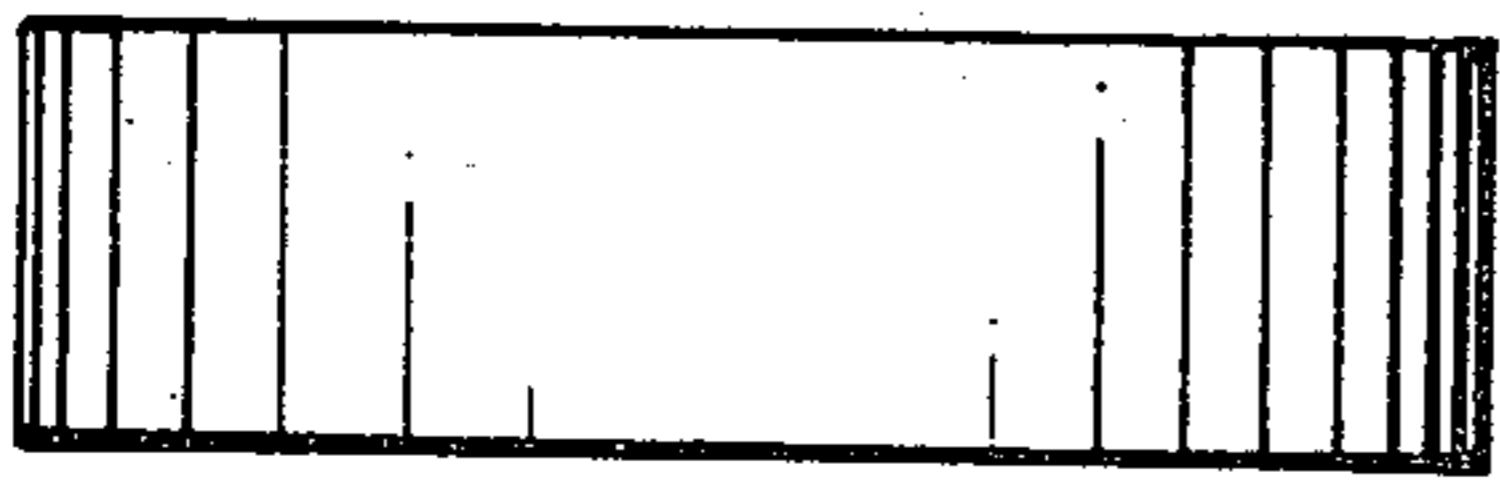


fig. 6

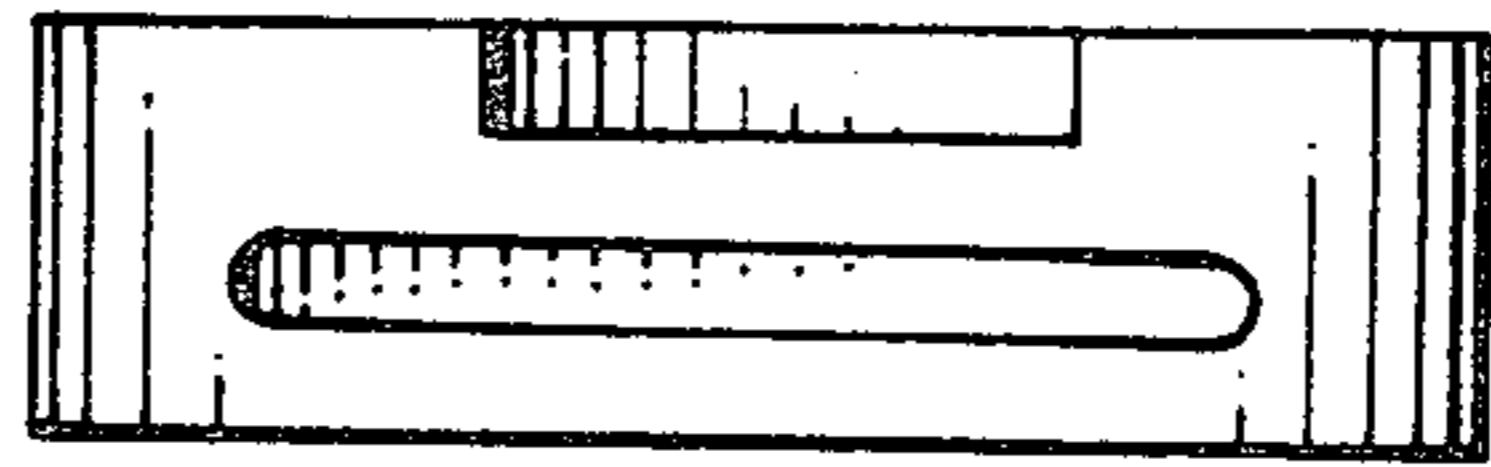


fig. 3

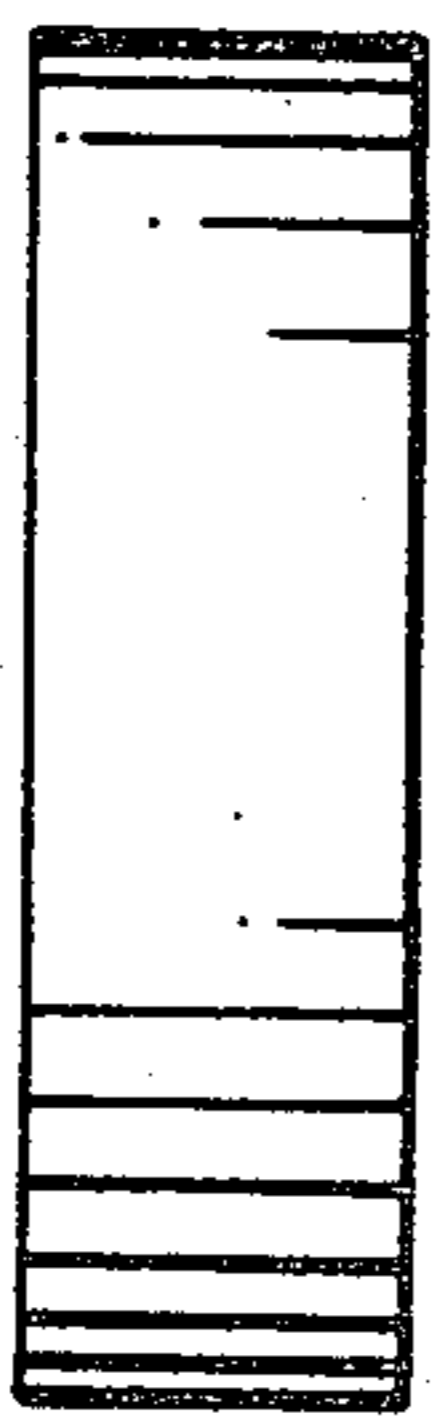


fig. 5

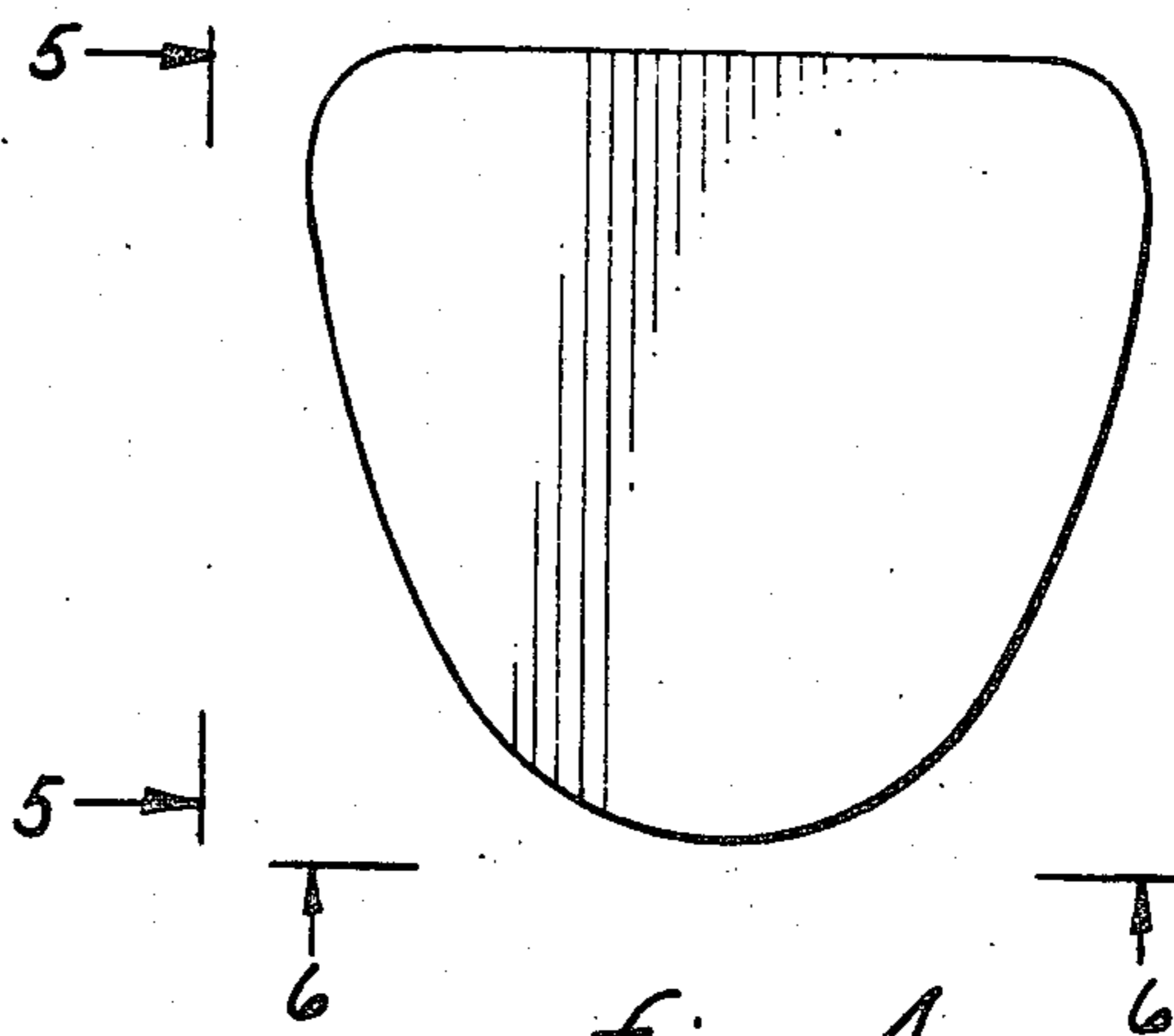


fig. 4