

United States Patent [19]

Rhoades

[11] Patent Number: **Des. 283,540**

[45] Date of Patent: **** Apr. 22, 1986**

[54] DENTAL AMALGAMATOR

[75] Inventor: Nolan K. Rhoades, Beloit, Wis.

[73] Assignee: Crescent Dental Mfg. Co., Lyons, Ill.

[**] Term: 14 Years

[21] Appl. No.: 486,214

[22] Filed: Apr. 18, 1983

[52] U.S. Cl. D24/10

[58] Field of Search D24/1.1, 4, 5, 8, 10;
366/602

[56] References Cited

U.S. PATENT DOCUMENTS

D. 244,379 5/1977 Moon D24/10
D. 263,739 4/1982 Piet et al. D24/10
3,814,387 6/1974 Ahrens et al. 366/602 X

FOREIGN PATENT DOCUMENTS

2810678 9/1978 Fed. Rep. of Germany 366/602

Primary Examiner—Catherine E. Kemper
Attorney, Agent, or Firm—Allegretti, Newitt, Witcoff & McAndrews, Ltd.

[57] CLAIM

The ornamental design for a dental amalgamator, as shown and described.

DESCRIPTION

FIG. 1 is a perspective view of a dental amalgamator, showing my new design;
FIG. 2 is a top plan view thereof;
FIG. 3 is a left side elevational view thereof;
FIG. 4 is a front elevational view thereof;
FIG. 5 is a right side elevational view thereof;
FIG. 6 is a rear elevational view thereof.

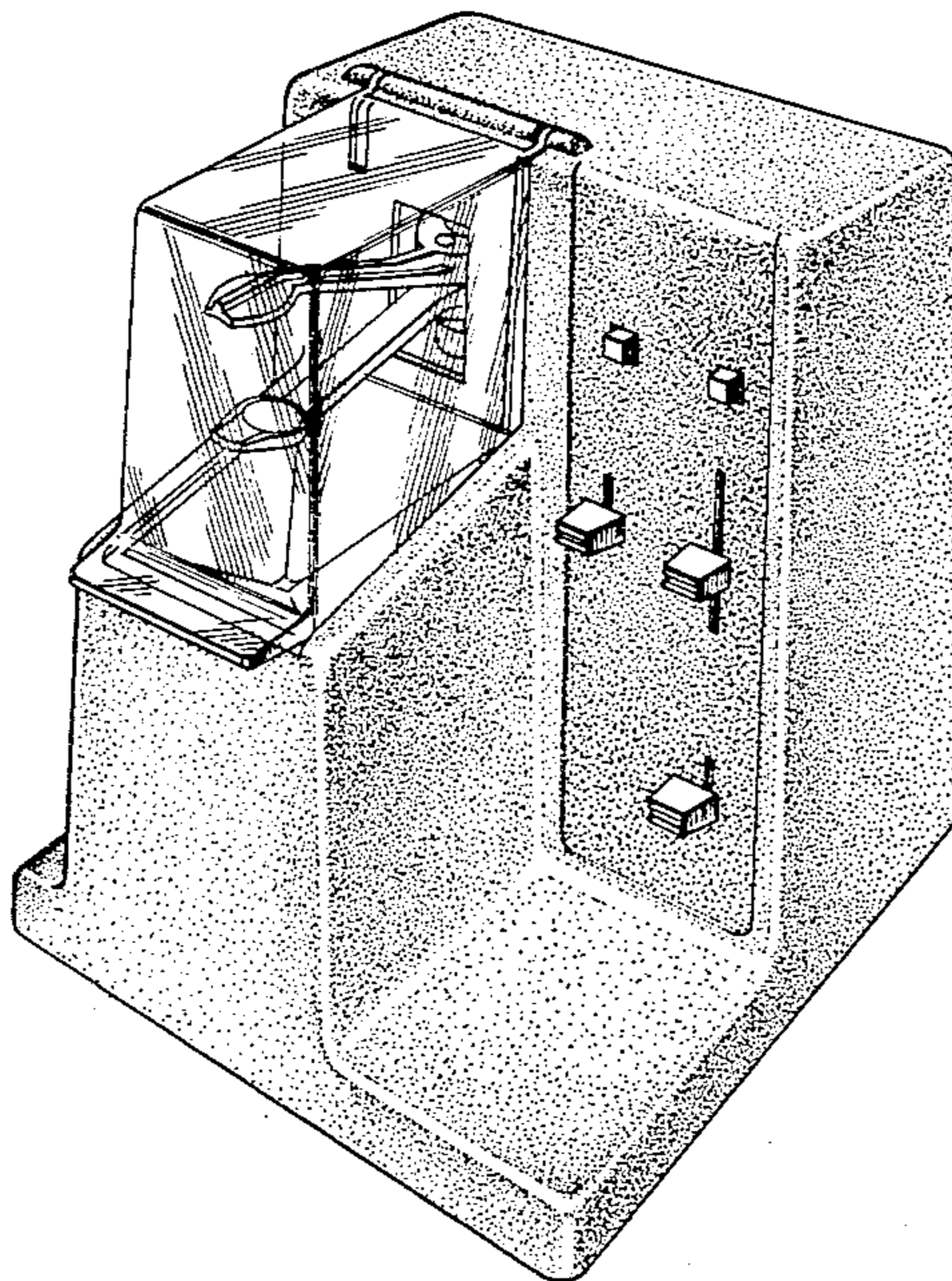


Fig. 1

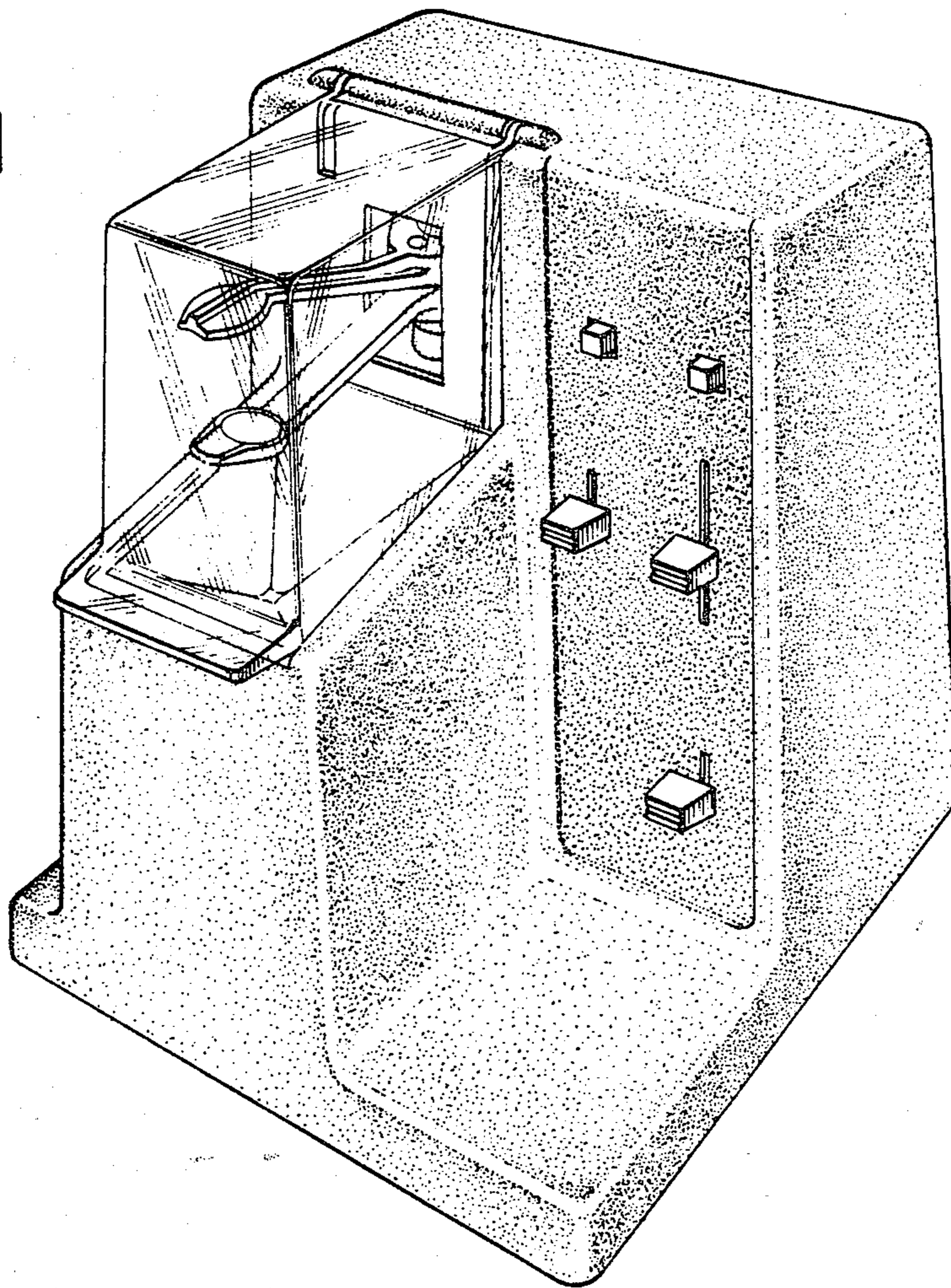


Fig. 2

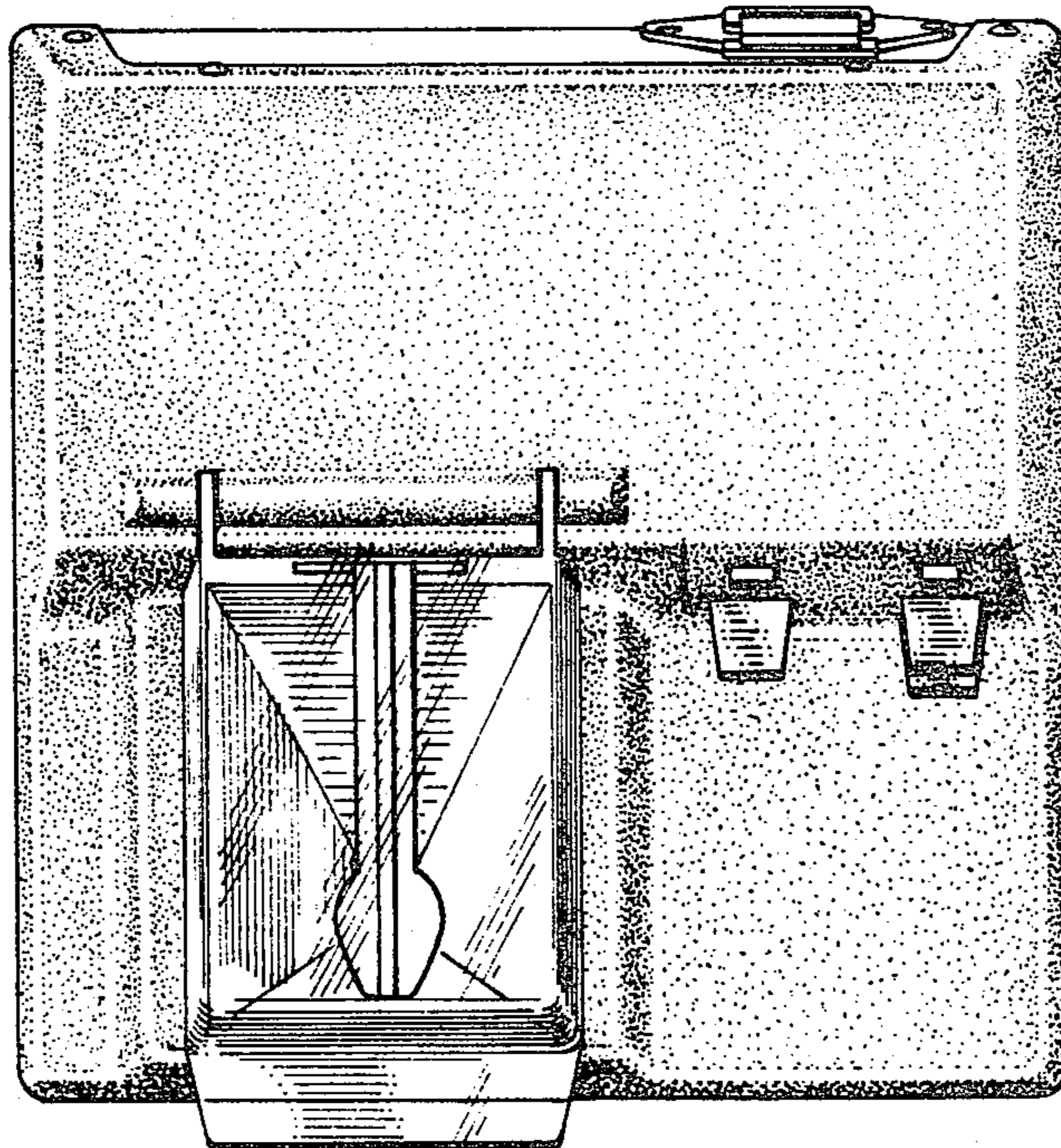


Fig. 3

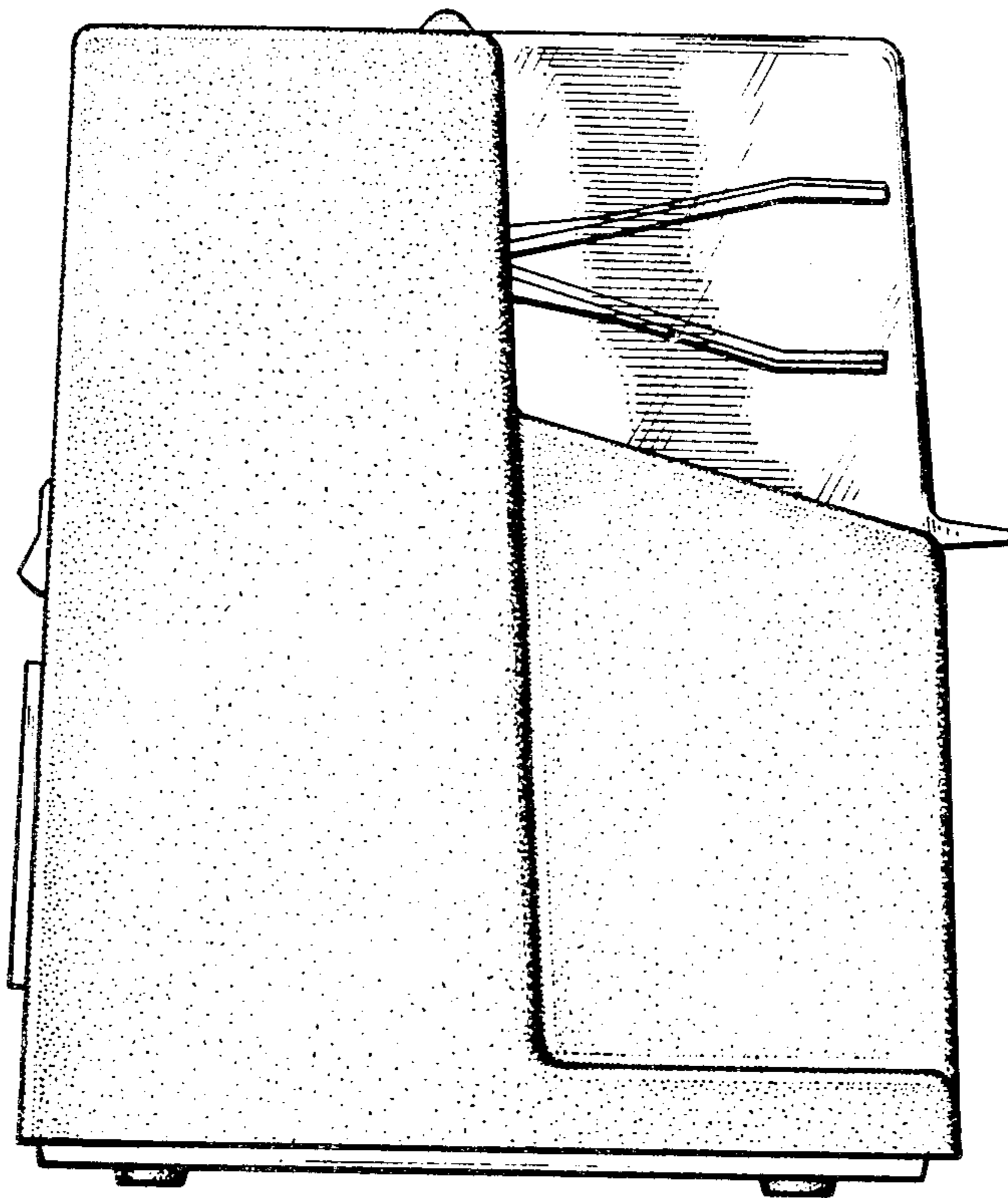


Fig. 4

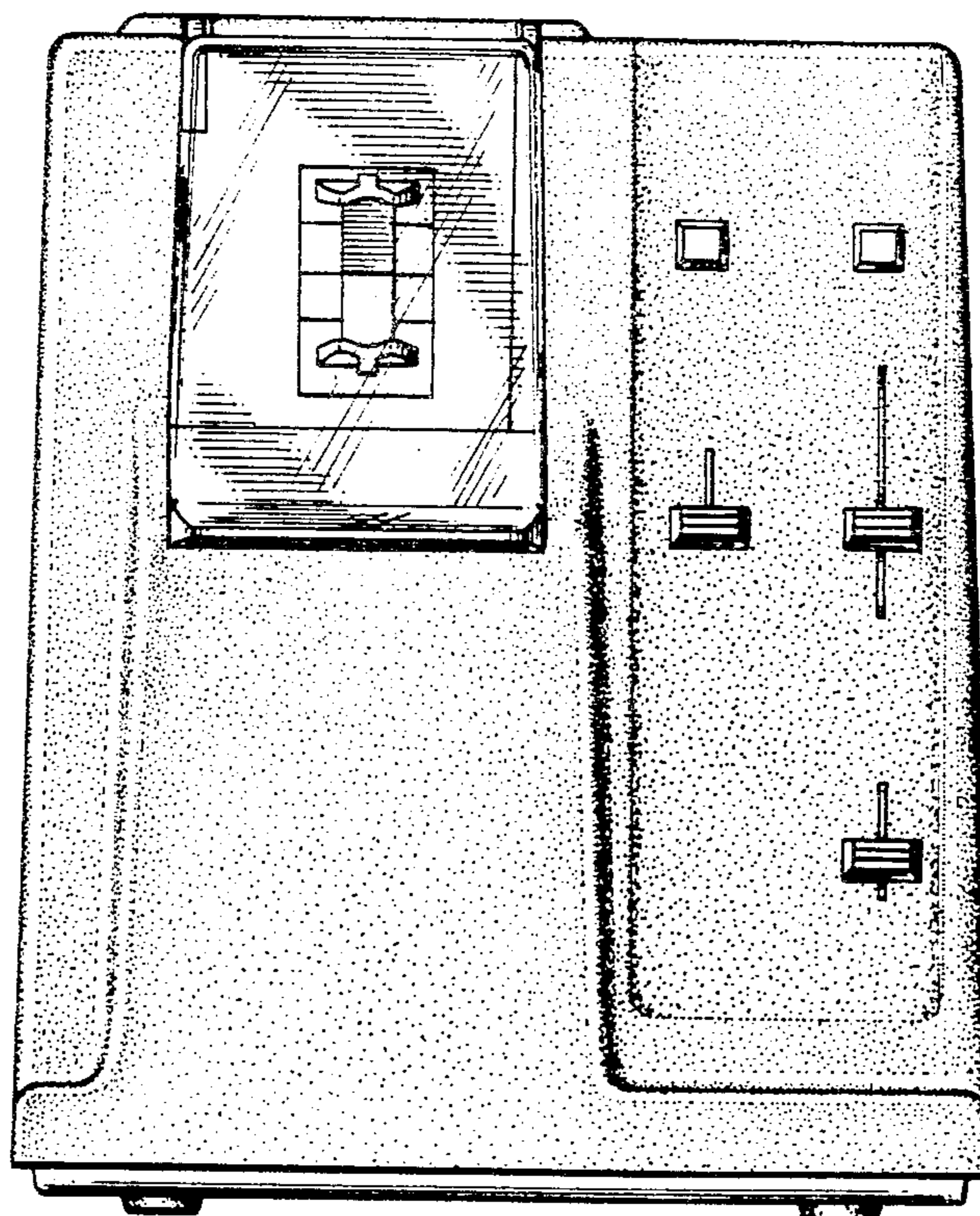


Fig. 5

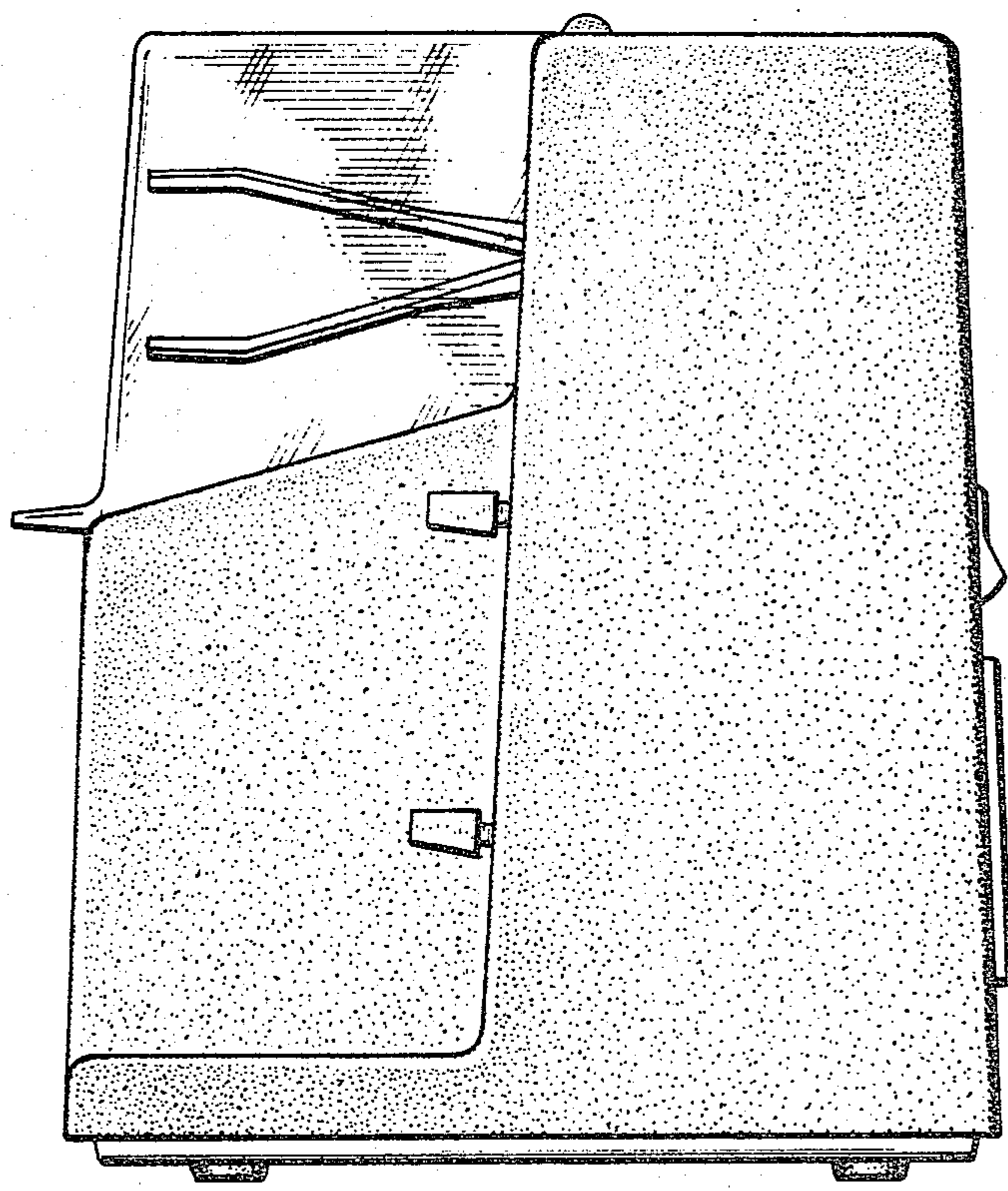


Fig. 6

