

[54] FILTER BAG TENSIONING SPACER

[75] Inventor: Robert E. Mace, Raytown, Mo.

[73] Assignee: Standard Havens, Inc., Kansas City, Mo.

[**] Term: 14 Years

[21] Appl. No.: 515,647

[22] Filed: Jul. 20, 1983

[52] U.S. Cl. D23/163

[58] Field of Search D23/3, 4, 149, 163; 55/378, 379, 508

3,881,673	5/1975	Peterson	55/378 X
4,113,455	9/1978	Richmond	55/378
4,303,424	12/1981	Wheeler	55/365
4,364,758	12/1982	Clements et al.	55/365
4,396,408	8/1983	Mace	55/378

Primary Examiner—James R. Largen
Attorney, Agent, or Firm—Kokjer, Kircher, Bradley, Wharton, Bowman & Johnson

[57] CLAIM

The ornamental design for a filter bag tensioning spacer, as shown and described.

DESCRIPTION

FIG. 1 is a top plan view of a filter bag tensioning showing my new design;

FIG. 2 is a side elevational view thereof, the opposite side being a mirror image of the side shown;

FIG. 3 is a bottom plan view thereof; and

FIG. 4 is another side elevational view taken 90 degrees to the left of FIG. 2, the opposite side being essentially the same as the side shown.

[56] References Cited

U.S. PATENT DOCUMENTS

D. 268,947	5/1983	Clements	D23/4
2,014,298	9/1935	Schneible	55/378 X
2,959,247	11/1960	Sare et al.	55/379
2,981,368	4/1961	Johnson	55/379
3,277,634	10/1966	Wheaton	55/379 X

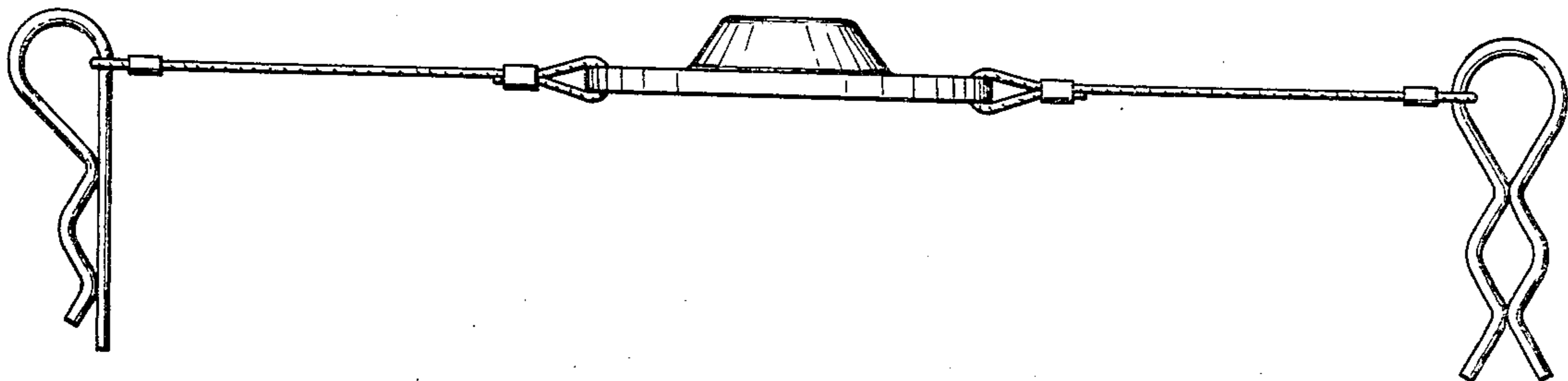
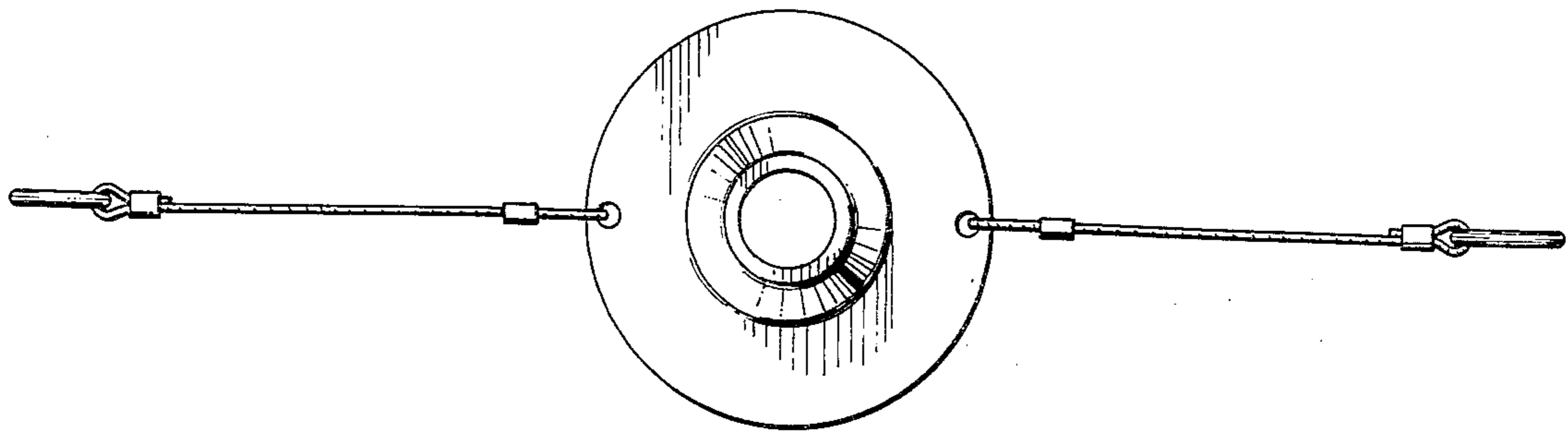


Fig. 1.

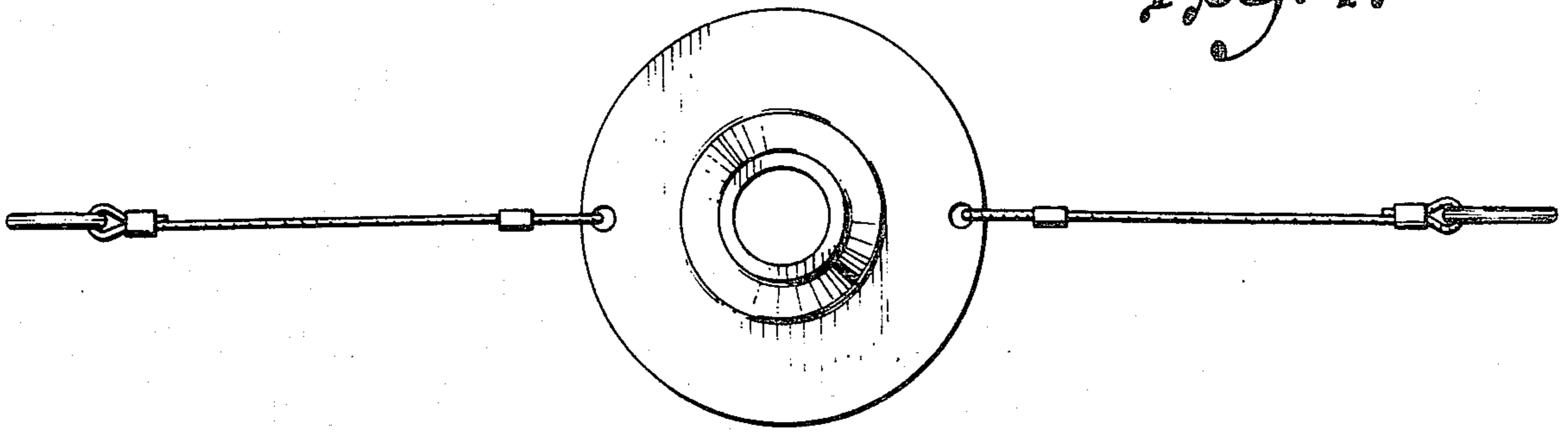


Fig. 2.

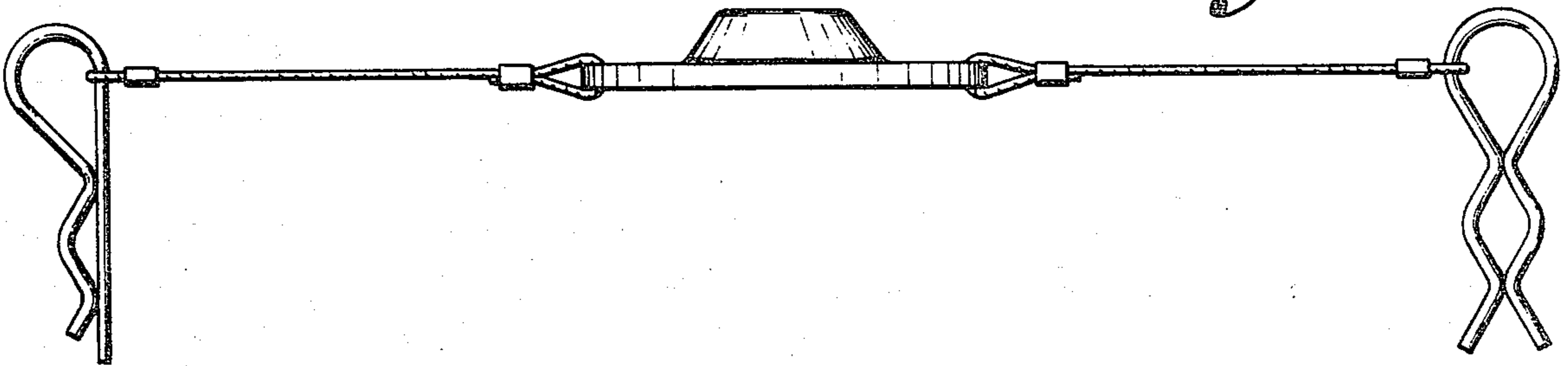


Fig. 3.

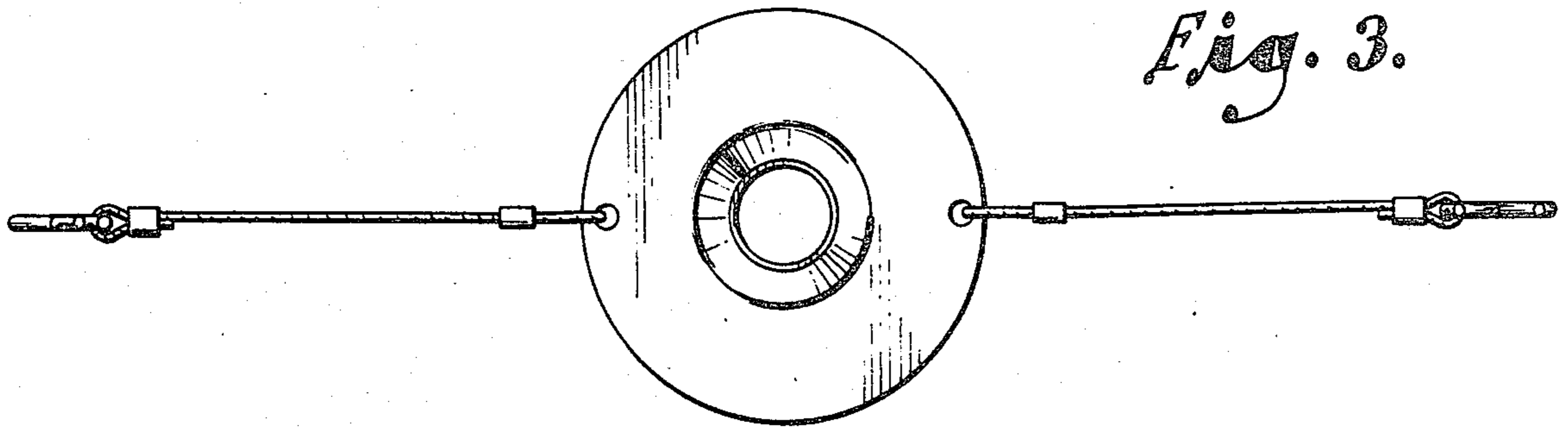


Fig. 4.

