

- [54] EXERCISE ROWING MACHINE
- [75] Inventors: David B. Smith, Mercer Island;  
William W. Potts, Seattle, both of  
Wash.
- [73] Assignee: Precor, Incorporated, Redmond,  
Wash.
- [\*\*] Term: 14 Years
- [21] Appl. No.: 572,567
- [22] Filed: Jan. 19, 1984
- [52] U.S. Cl. .... D21/195
- [58] Field of Search ..... D21/191-199;  
272/67, 68, 104, 111, 117, 118, 123, 134, 133,  
141, 142, 143, 145

4,477,071 10/1984 Brown et al. .... 272/134

FOREIGN PATENT DOCUMENTS

78675 4/1931 Sweden .  
426410 5/1935 United Kingdom .

OTHER PUBLICATIONS

M & R Industries Inc. Flier, "Avita 850" Rower.  
Advertising sheet for M & R Industries, Inc. for Avita  
950 Rowing Machine.

Primary Examiner—Charles A. Rademaker  
Attorney, Agent, or Firm—Christensen, O'Connor,  
Johnson & Kindness

[57] CLAIM

The ornamental design for exercise rowing machine,  
substantially as shown and described.

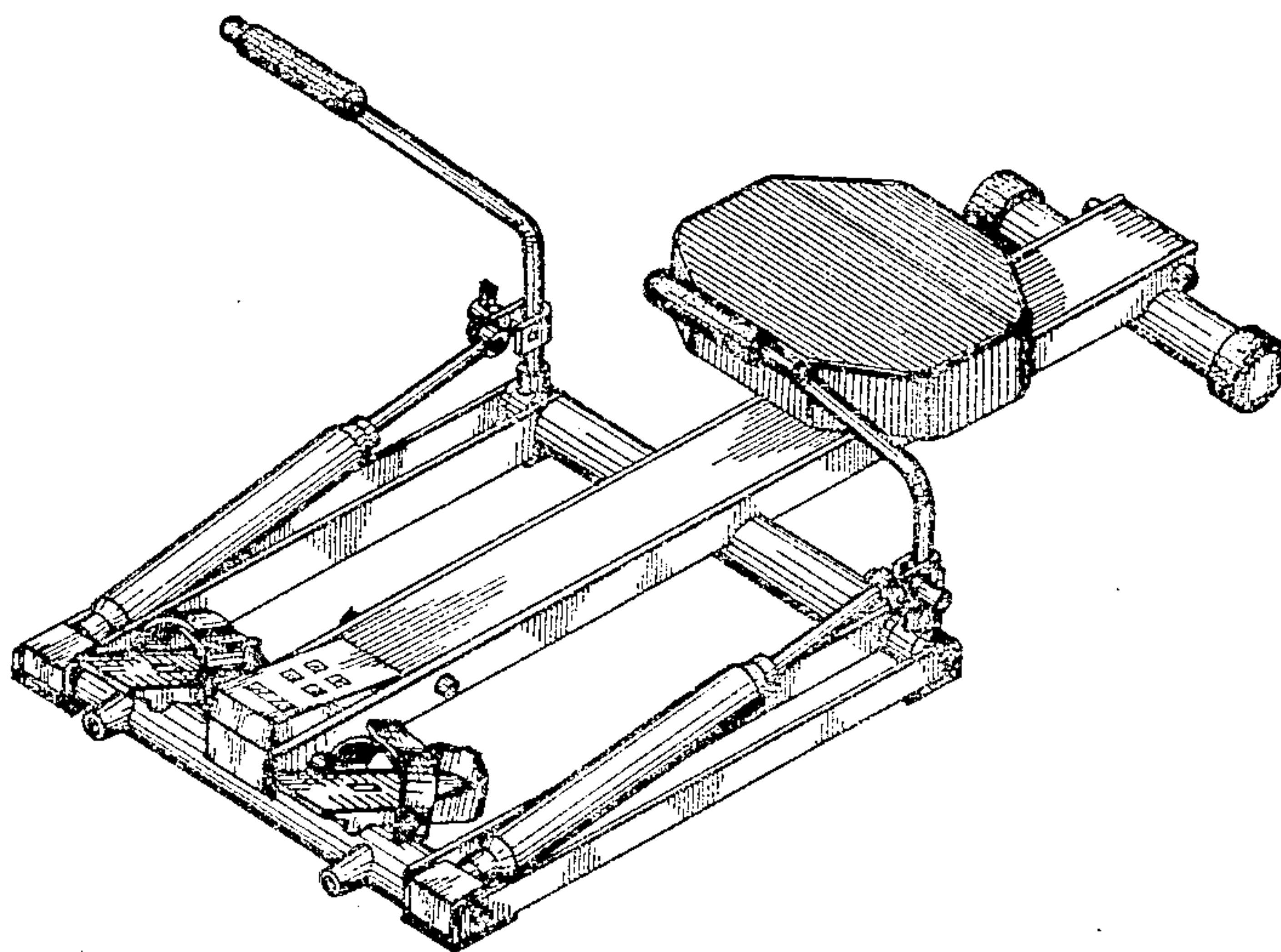
DESCRIPTION

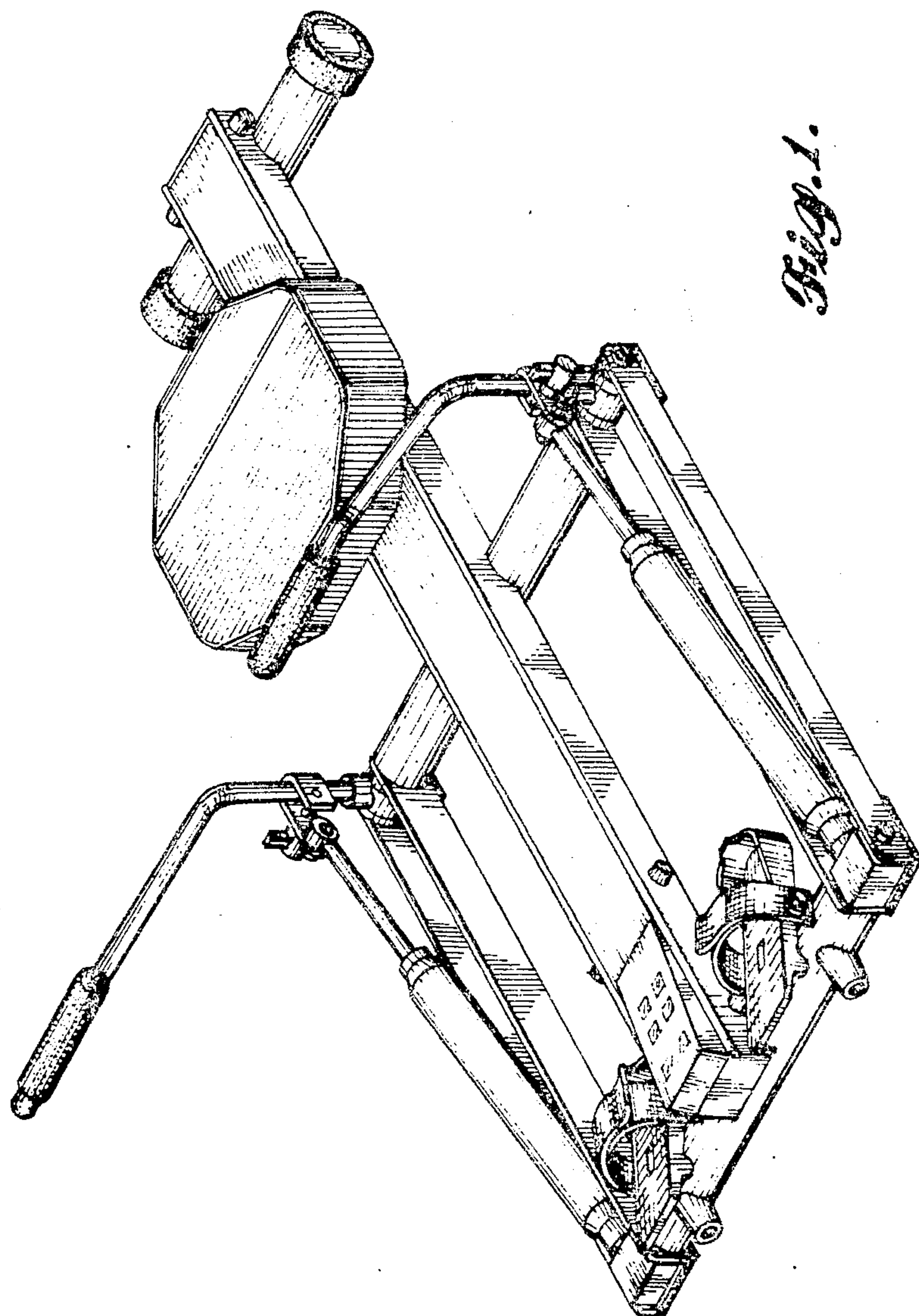
FIG. 1 is a front perspective view of exercise rowing  
machine showing our new design;  
FIG. 2 is a top plan view thereof;  
FIG. 3 is a side elevational view thereof;  
FIG. 4 is a rear elevational view thereof;  
FIG. 5 is a front elevational view thereof; and,  
FIG. 6 is a bottom plan view thereof.

[56] References Cited

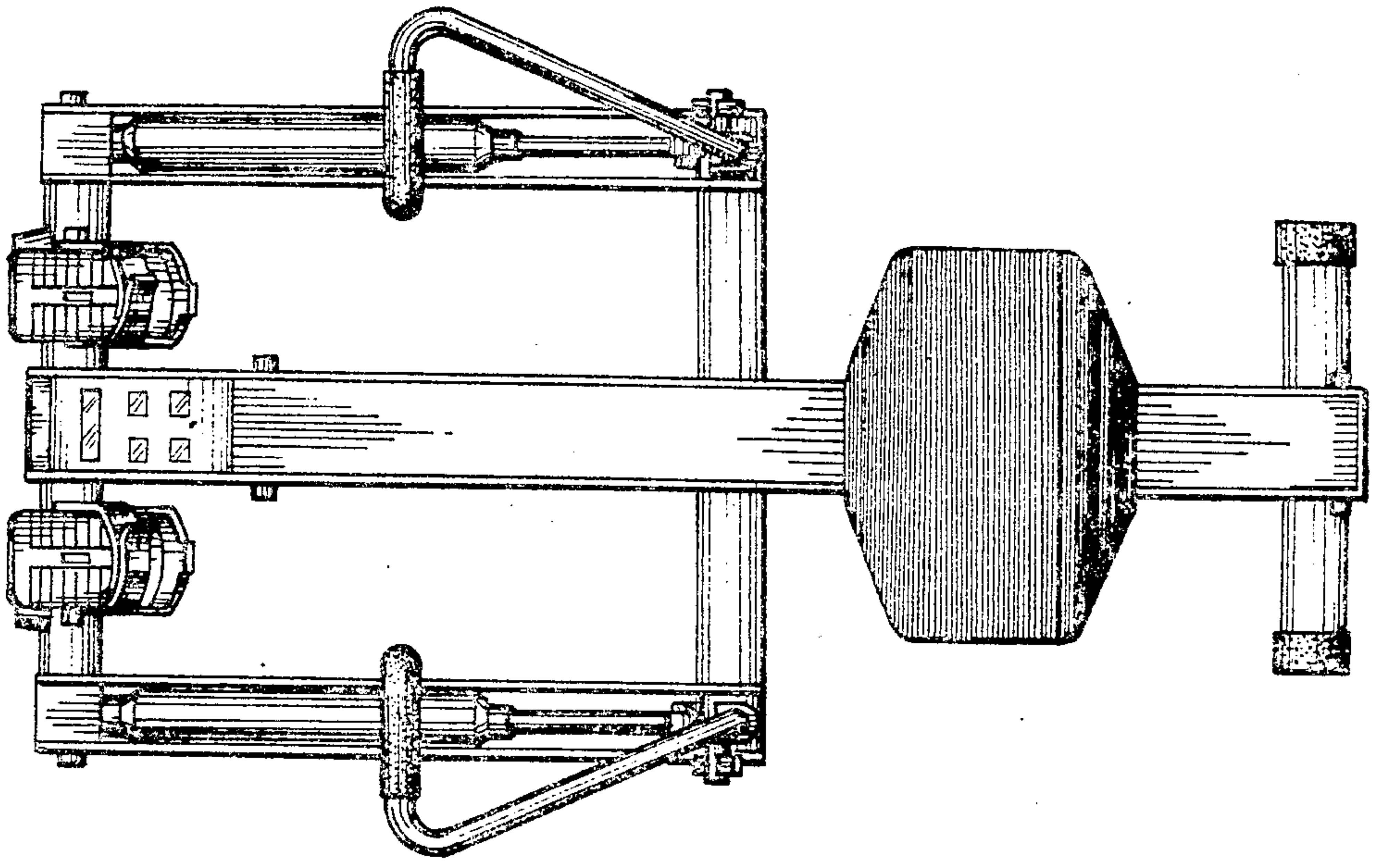
U.S. PATENT DOCUMENTS

D. 265,110	6/1982	Lafont	.....	D21/195
D. 268,194	3/1983	Smith	.....	D21/195
D. 268,277	3/1983	Smith	.....	D21/191
D. 268,278	3/1983	Smith	.....	D21/195
D. 277,304	1/1985	Smith et al.	.....	D21/195
1,905,019	4/1933	Turner	.	
4,284,272	8/1981	Evans et al.	.....	272/143

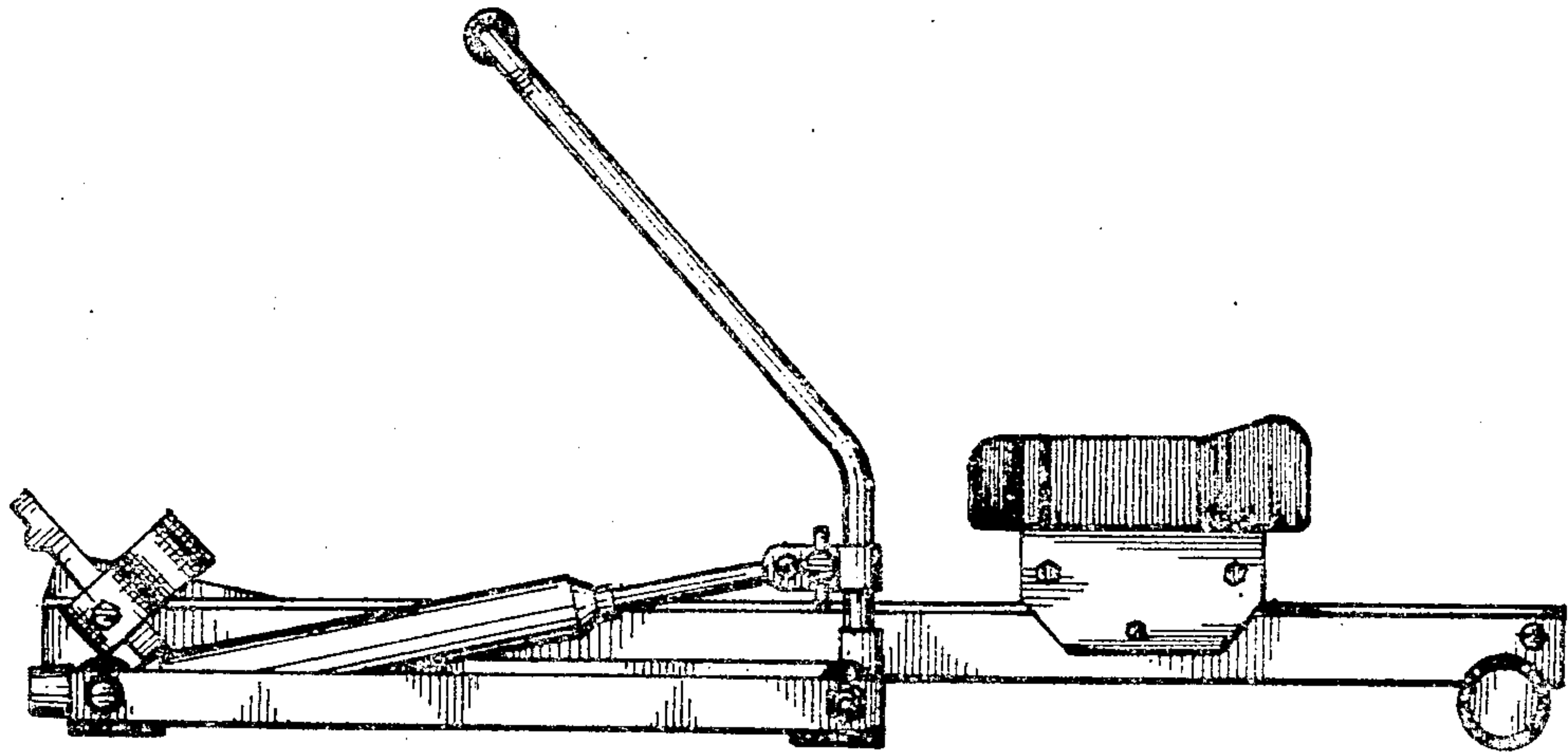




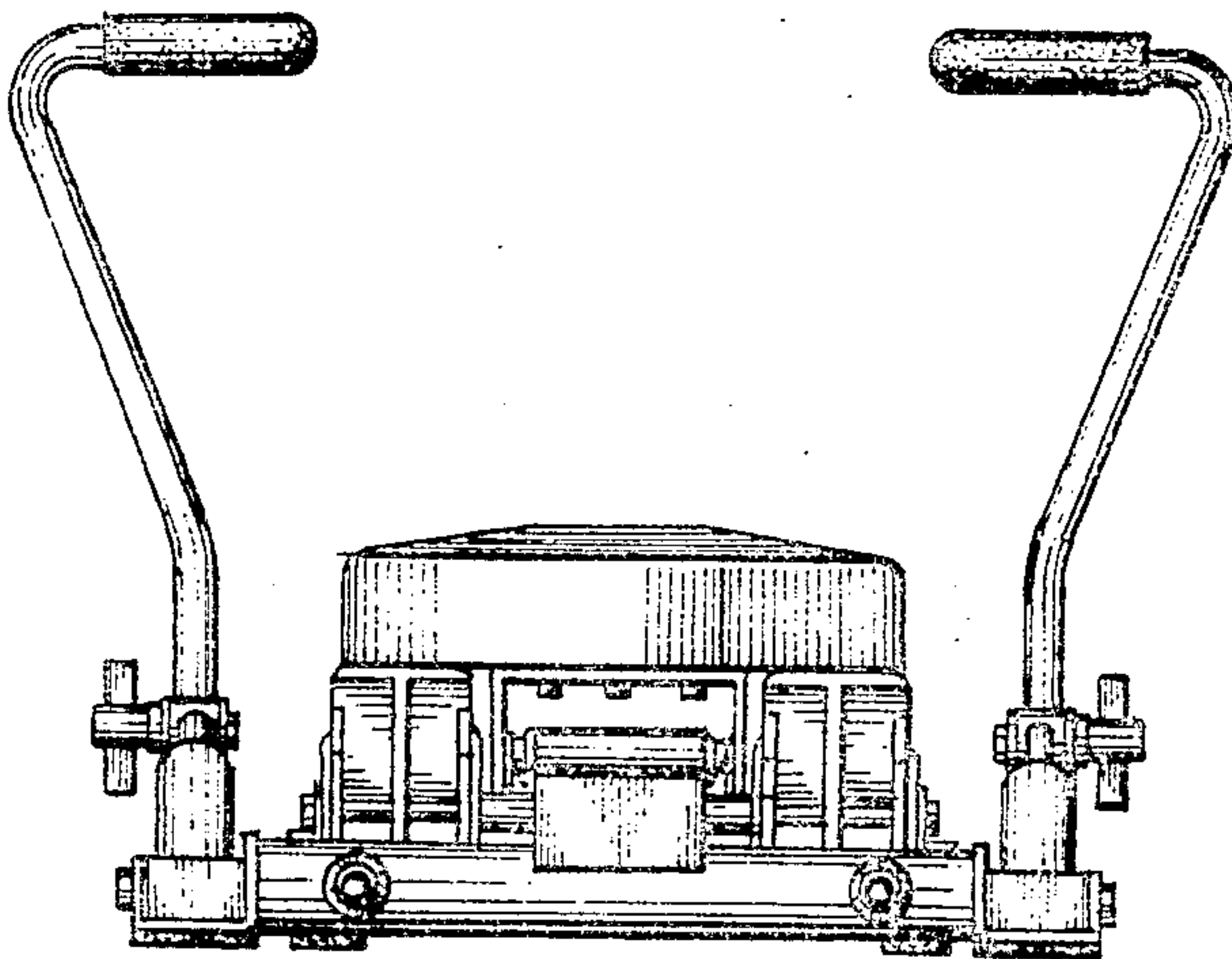




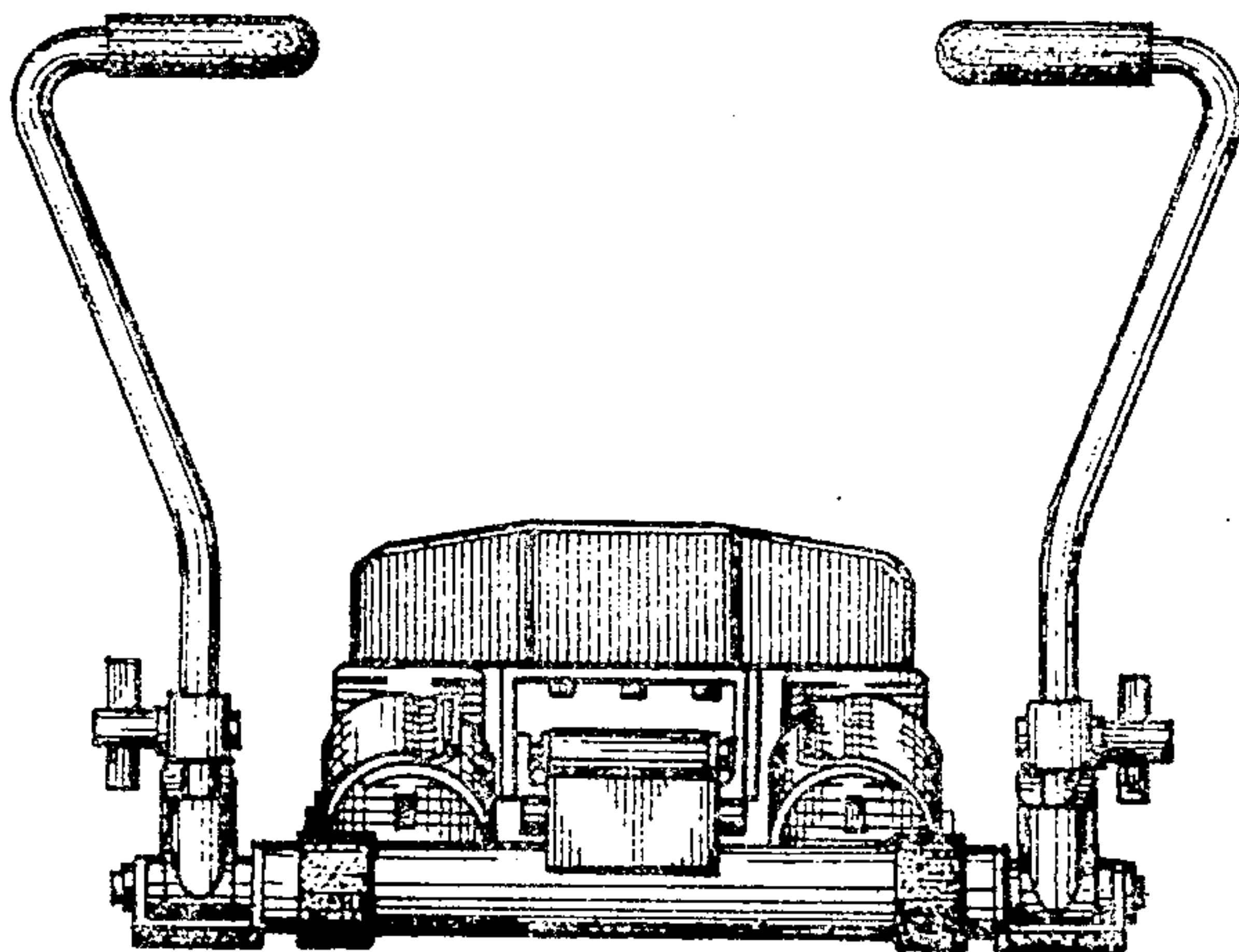
*Fig. 2.*



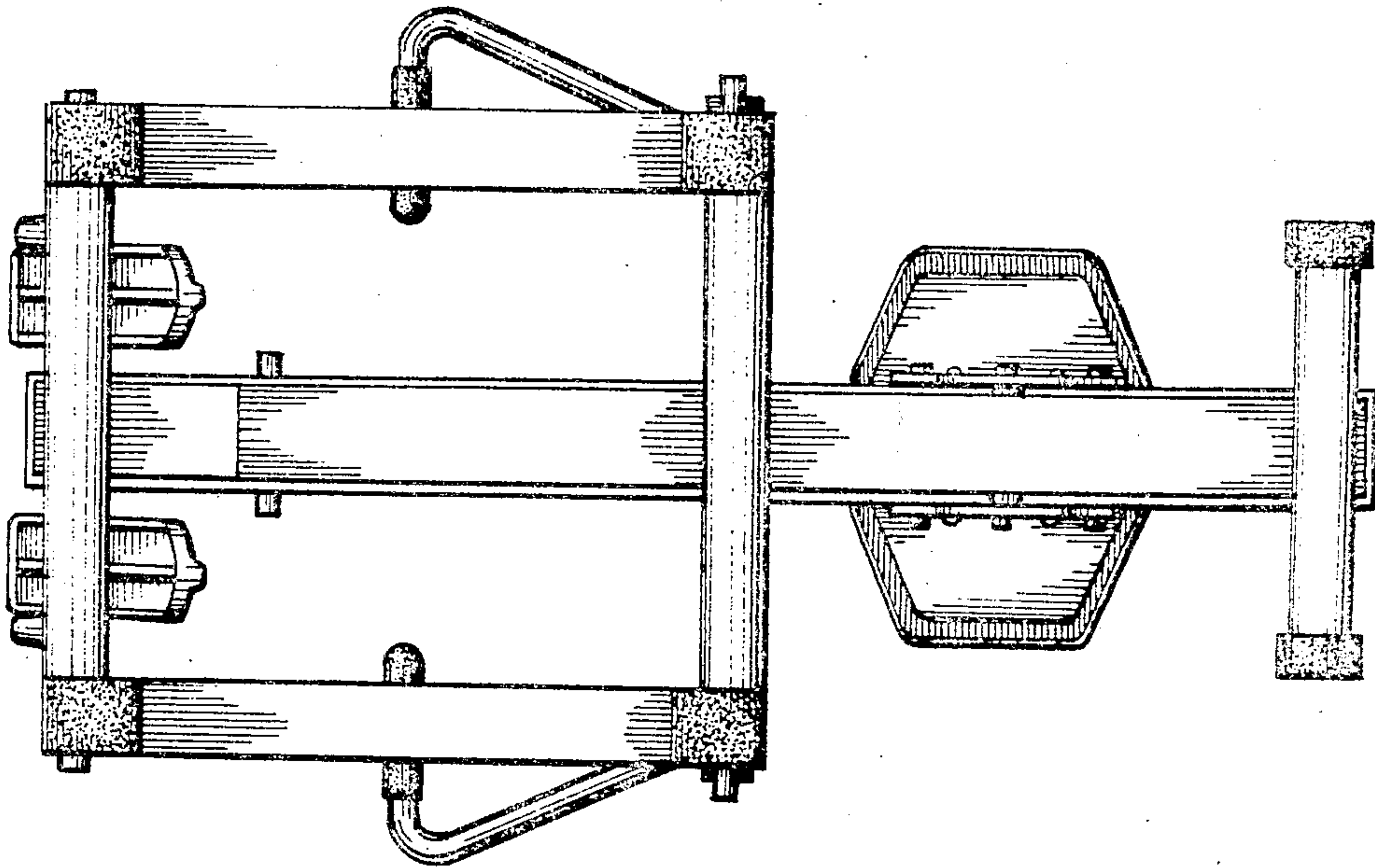
*Fig. 3.*



*Fig. 4.*



*Fig. 5.*



*Fig. 6.*