

[54] **ESCROW BOX FOR COIN OPERATED MACHINES**

[76] **Inventor: Vedasto Gardellini, 23 Sheldon Pl., Commack, N.Y. 11725**

[**] **Term: 14 Years**

[21] **Appl. No.: 555,198**

[22] **Filed: Nov. 25, 1983**

[52] **U.S. Cl. D20/8**

[58] **Field of Search D20/8, 9; 194/1 A, 1 B, 194/1 K**

[56] **References Cited**

U.S. PATENT DOCUMENTS

D. 94,752	3/1935	Gorton	D20/9
3,235,875	2/1966	Mails	194/1 B
4,044,875	8/1977	Greenwald et al.	194/1 K
4,131,190	12/1978	Gitlin	194/1 B

4,133,419	1/1979	Greenwald et al.	194/1 B
4,165,802	8/1979	Mathews	194/1 K

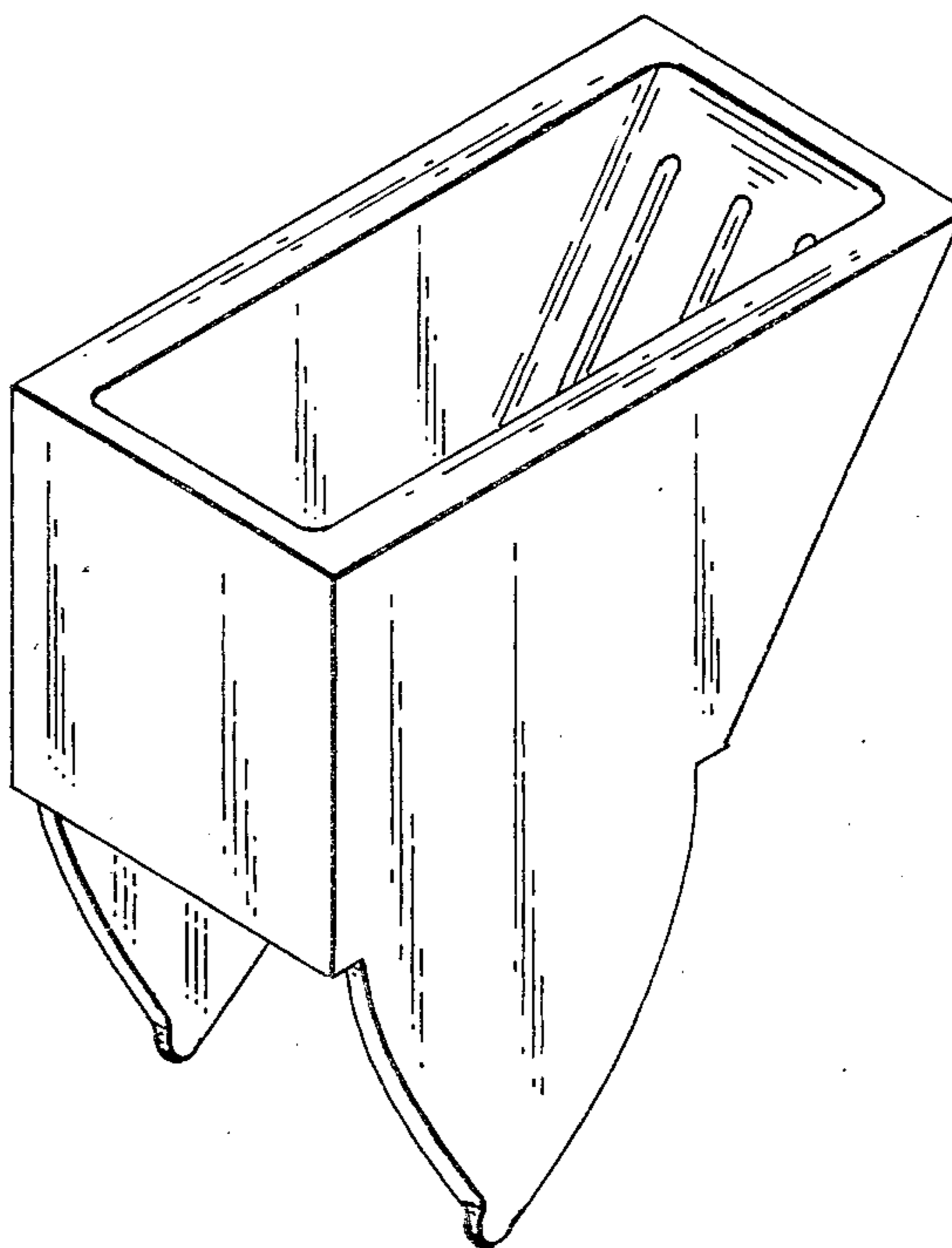
Primary Examiner—Bernard Ansher
Assistant Examiner—Linda Titolo
Attorney, Agent, or Firm—Bauer & Amer

[57] **CLAIM**

The ornamental design for an escrow box for coin operated machines, substantially as shown and described.

DESCRIPTION

FIG. 1 is a top perspective view of an escrow box for coin operated machines, showing my new design; FIG. 2 is a top plan view thereof; FIG. 3 is a left side elevational view thereof, the right side being a mirror image thereof; FIG. 4 is a bottom plan view thereof; and FIG. 5 is an end view thereof, the opposite end being a mirror image thereof.



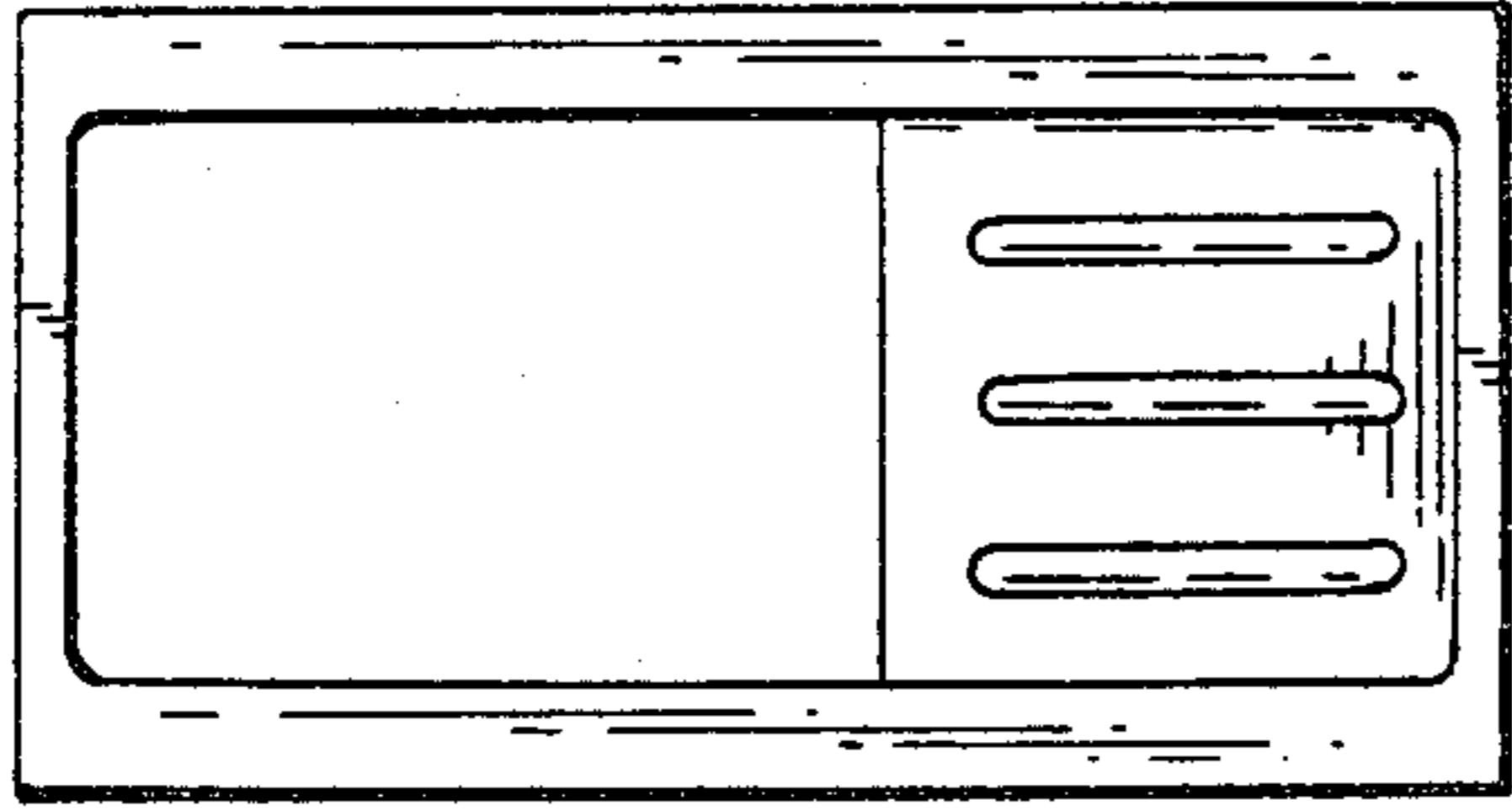


Fig. 2

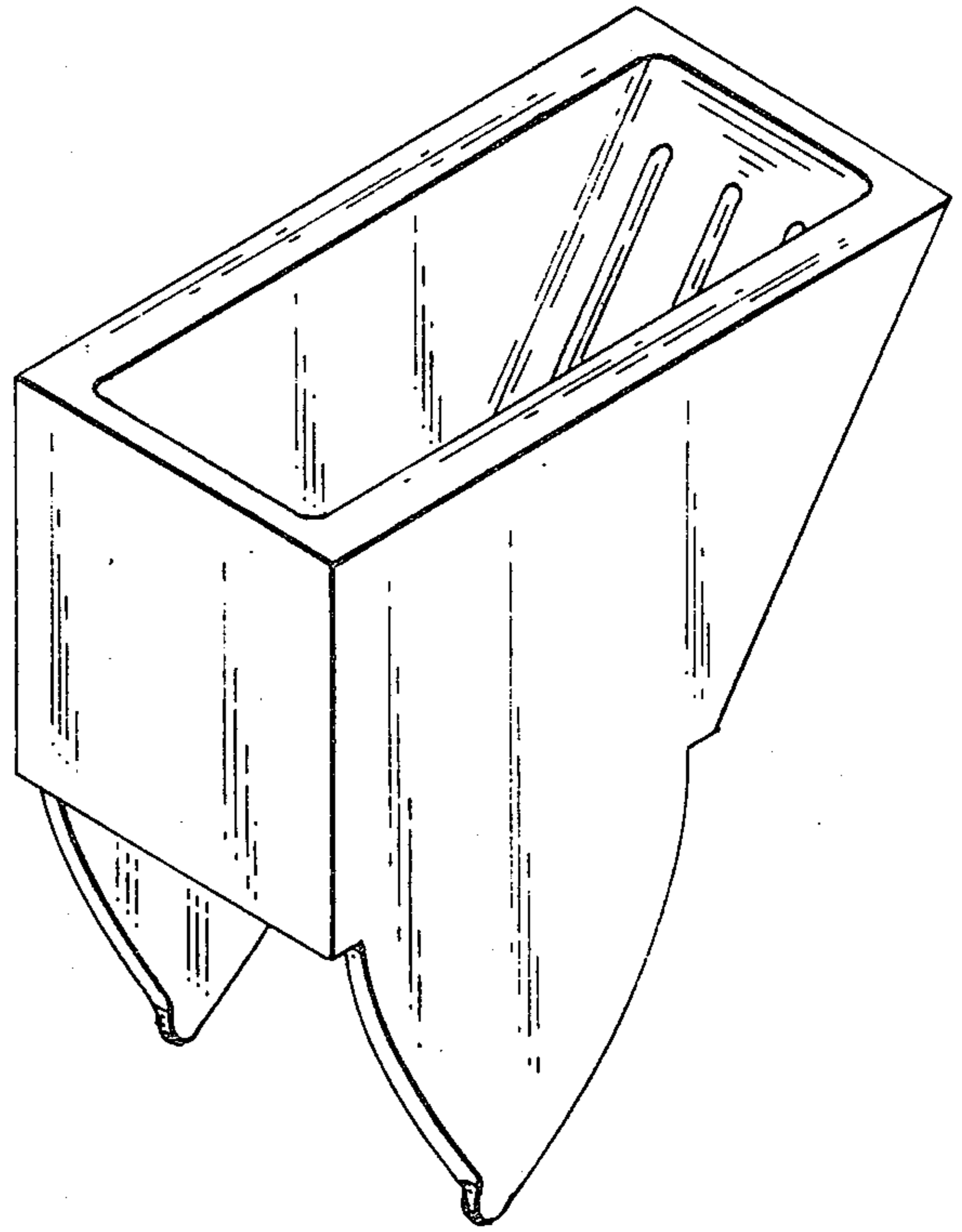


Fig. 1

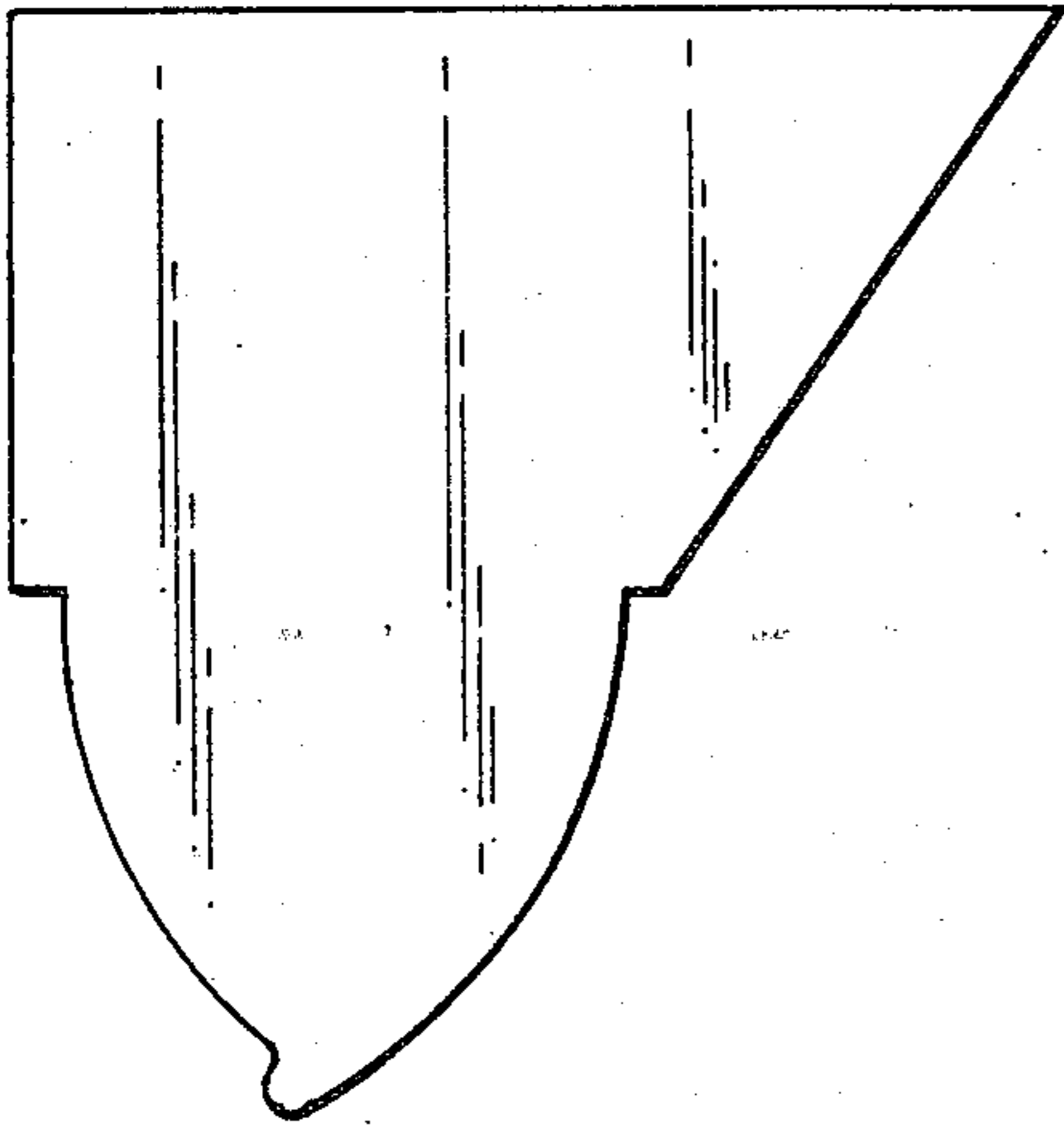


Fig. 3

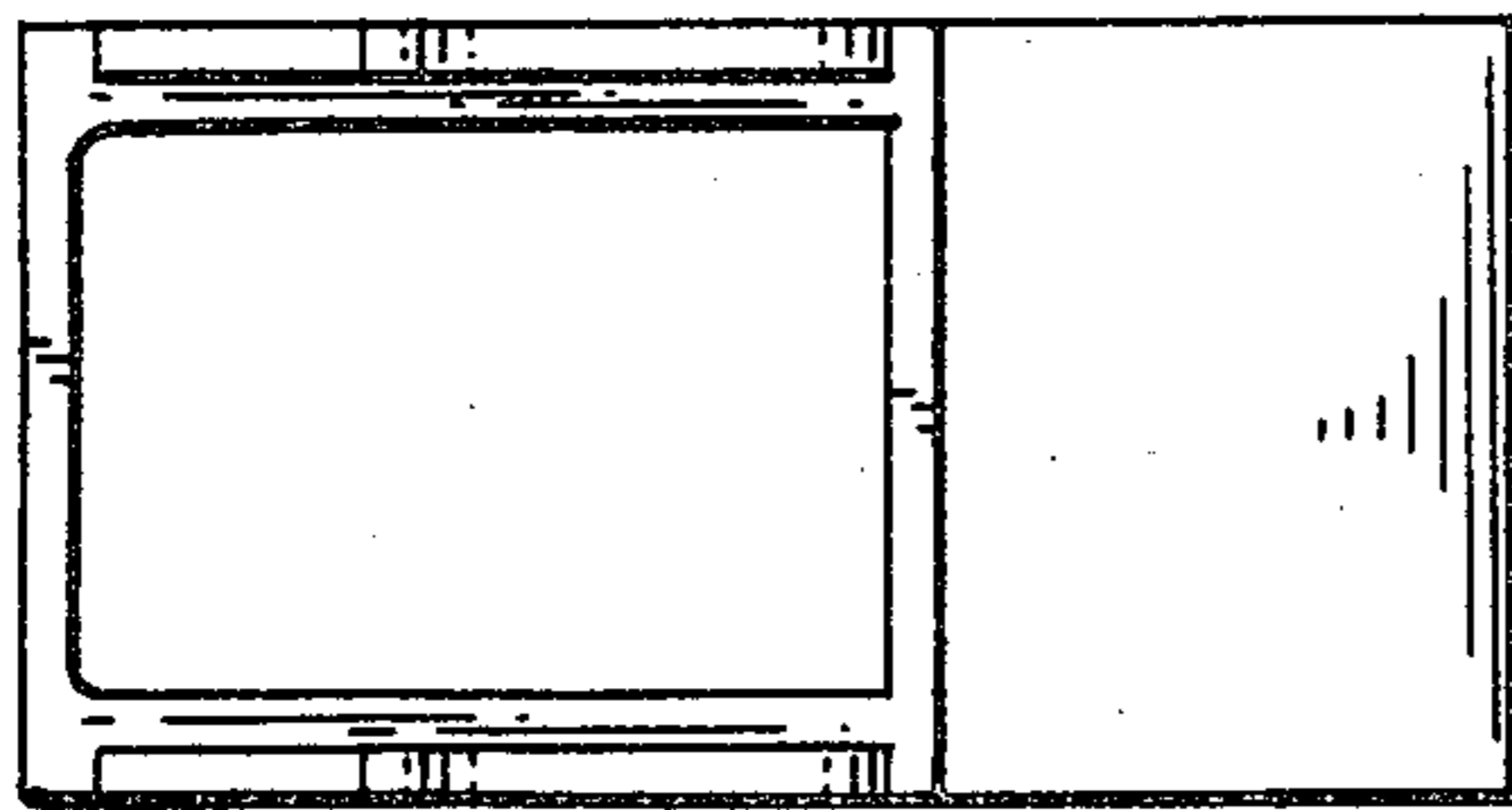


Fig. 4

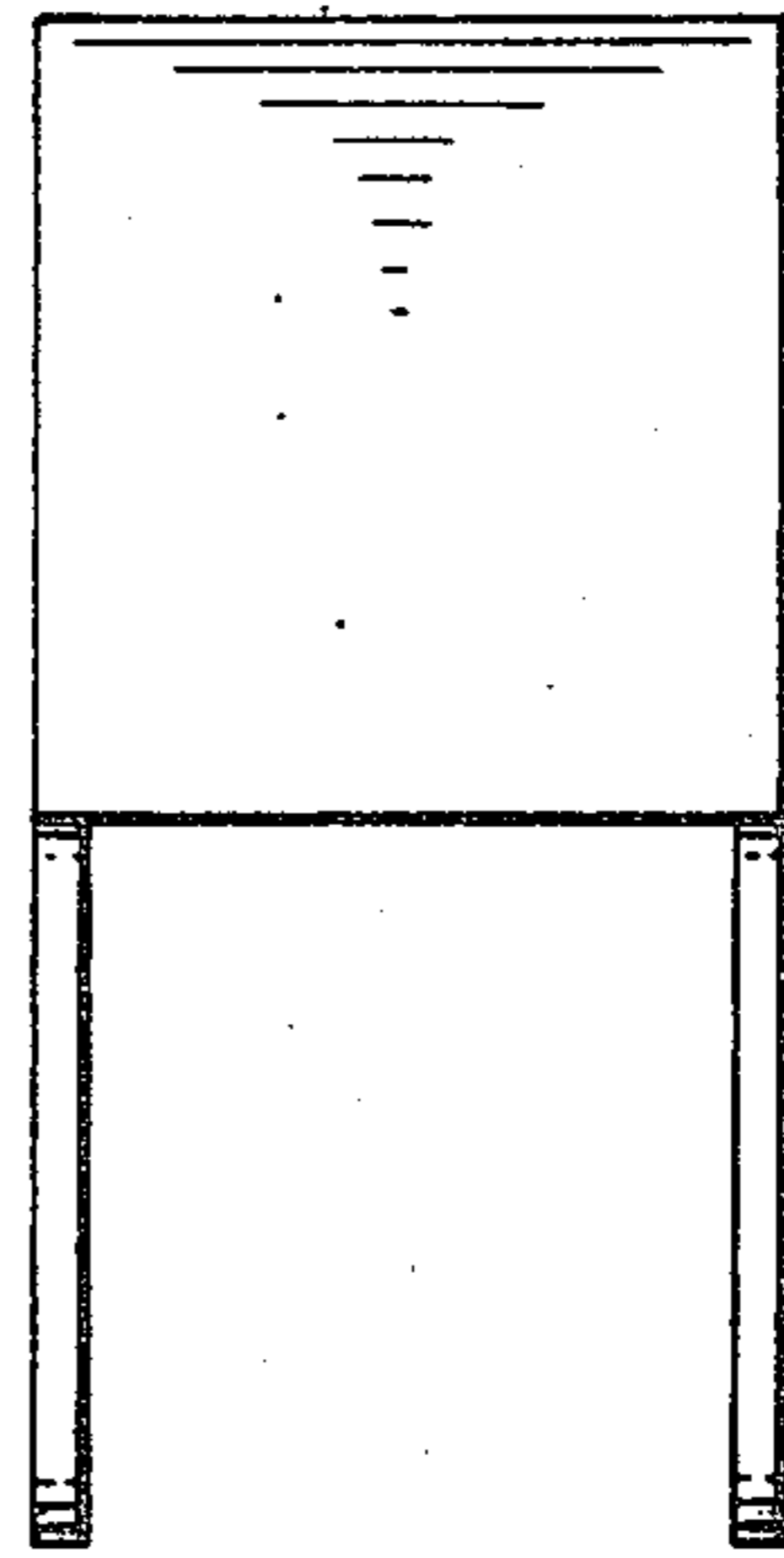


Fig. 5