

[54] **BASEBALL SAFETY SPECTACLES**

[76] **Inventor:** Harold A. Spero, 3446 Old Green Rd., Beechwood, Ohio 44122

[**] **Term:** 14 Years

[21] **Appl. No.:** 544,782

[22] **Filed:** Oct. 24, 1983

[52] **U.S. Cl.** D16/102

[58] **Field of Search** D16/102-123, D16/125, 127; 351/41, 42, 44, 45, 49, 51, 83, 85, 87-98, 111, 117, 47, 53, 57, 59, 107; 2/12, 13, 15

[56] **References Cited**

U.S. PATENT DOCUMENTS

D. 121,563	7/1940	Bressler	D16/102
2,998,610	9/1961	Spero	2/13
3,990,788	11/1976	Choy	351/85 X
4,187,006	2/1980	Neidell	351/44

OTHER PUBLICATIONS

The Optician, Jun. 13, 1975, Frames on front cover.

Primary Examiner—Susan J. Lucas

Assistant Examiner—C. E. Heflin

Attorney, Agent, or Firm—Fay, Sharpe, Fagan, Minnich & McKee

[57] **CLAIM**

The ornamental design for baseball safety spectacles, as shown and described.

DESCRIPTION

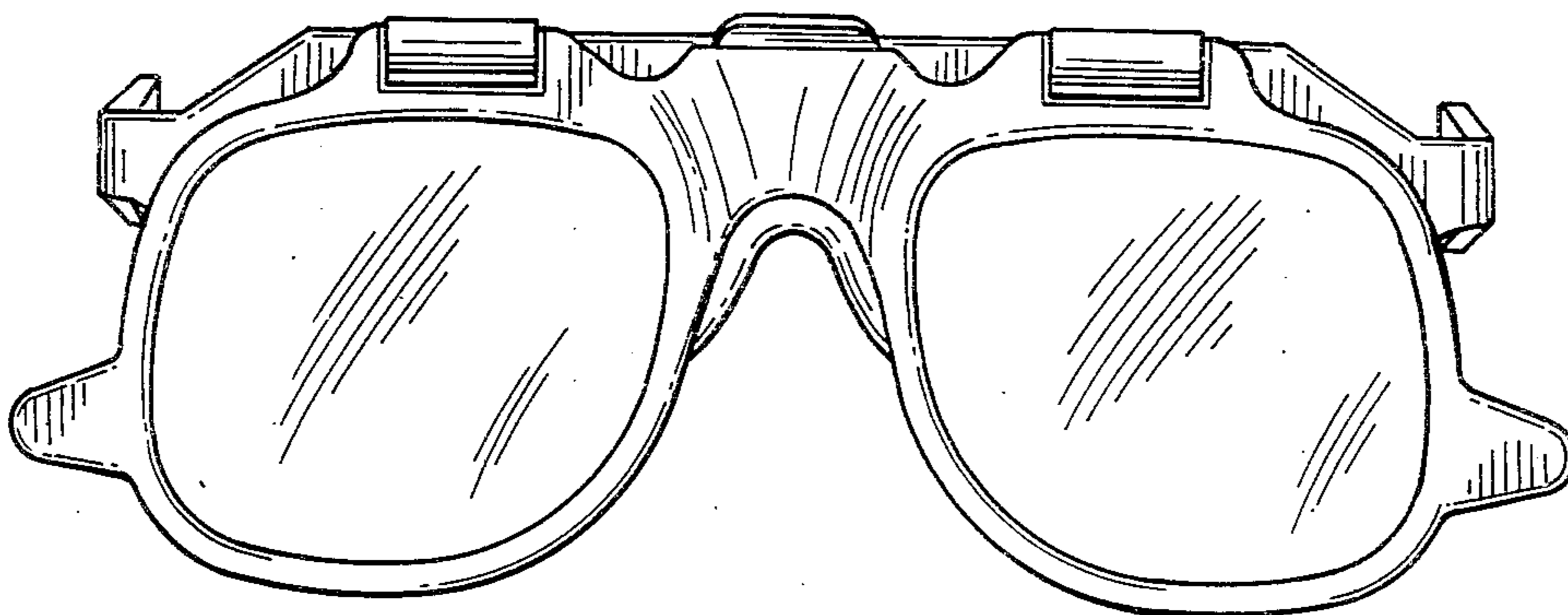
FIG. 1 is a front elevational view of baseball safety spectacles showing my new design;

FIG. 2 is a top plan view thereof;

FIG. 3 is a right side elevational view thereof the left side being a mirror image;

FIG. 4 is a rear elevational view thereof; and

FIG. 5 is a bottom plan view thereof.



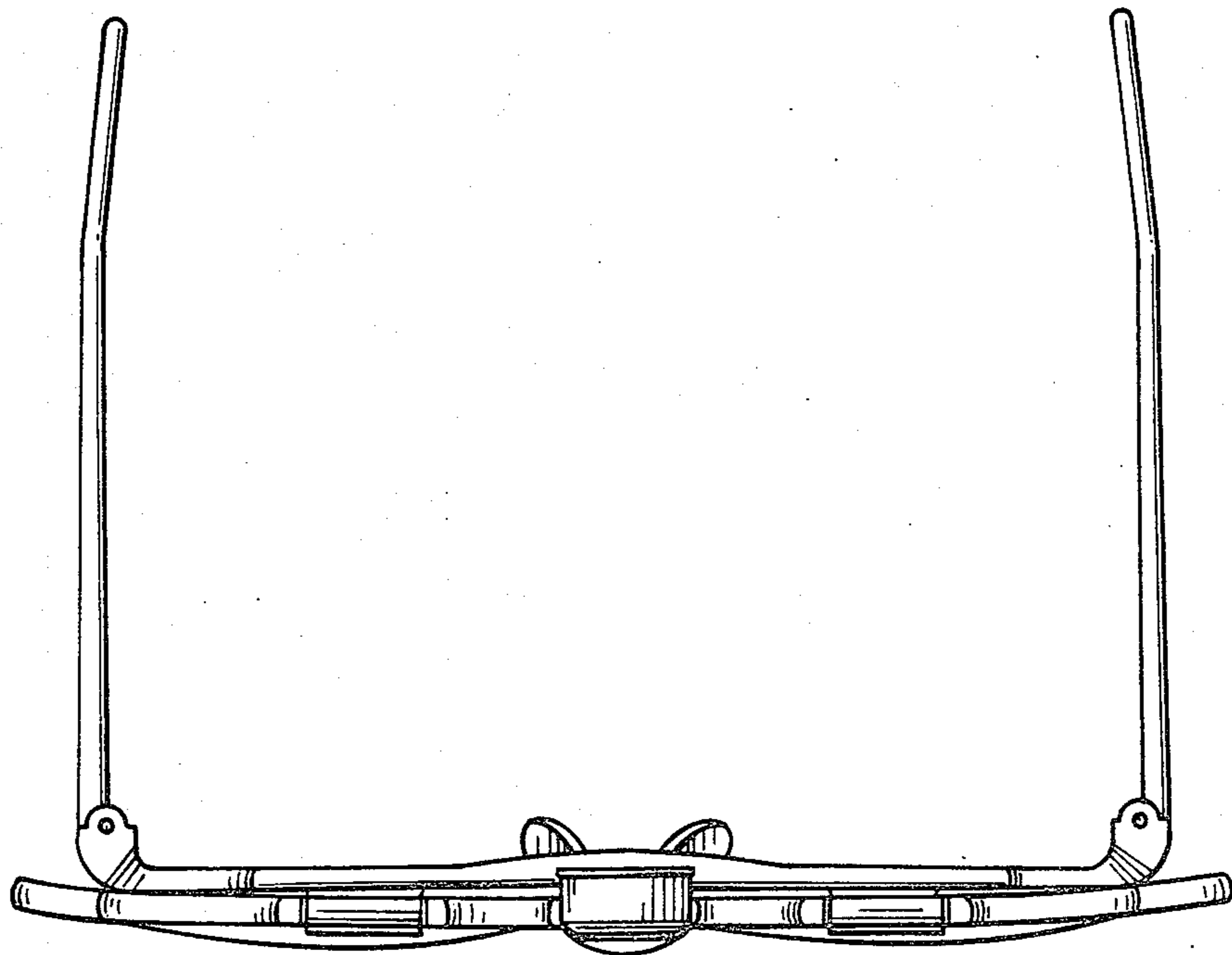


FIG. 2

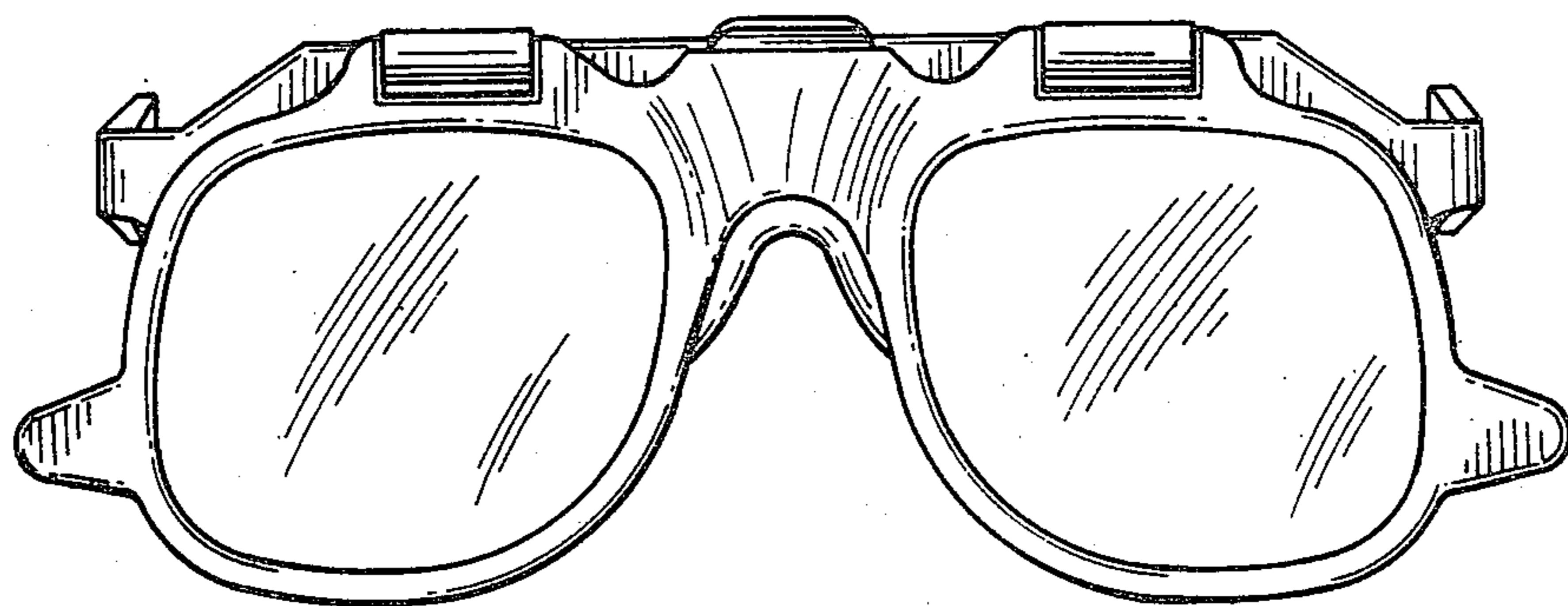


FIG. 1

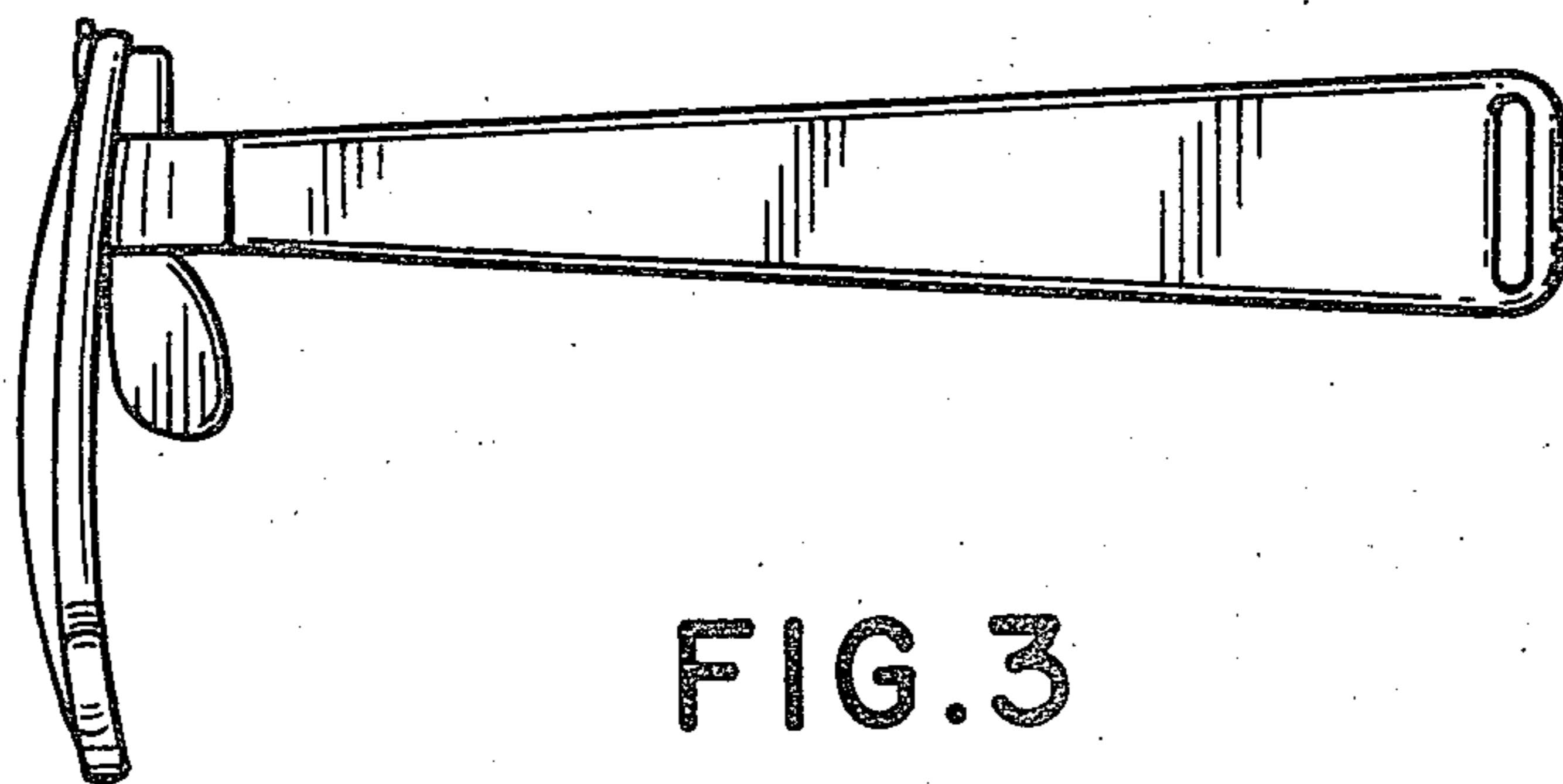


FIG. 3

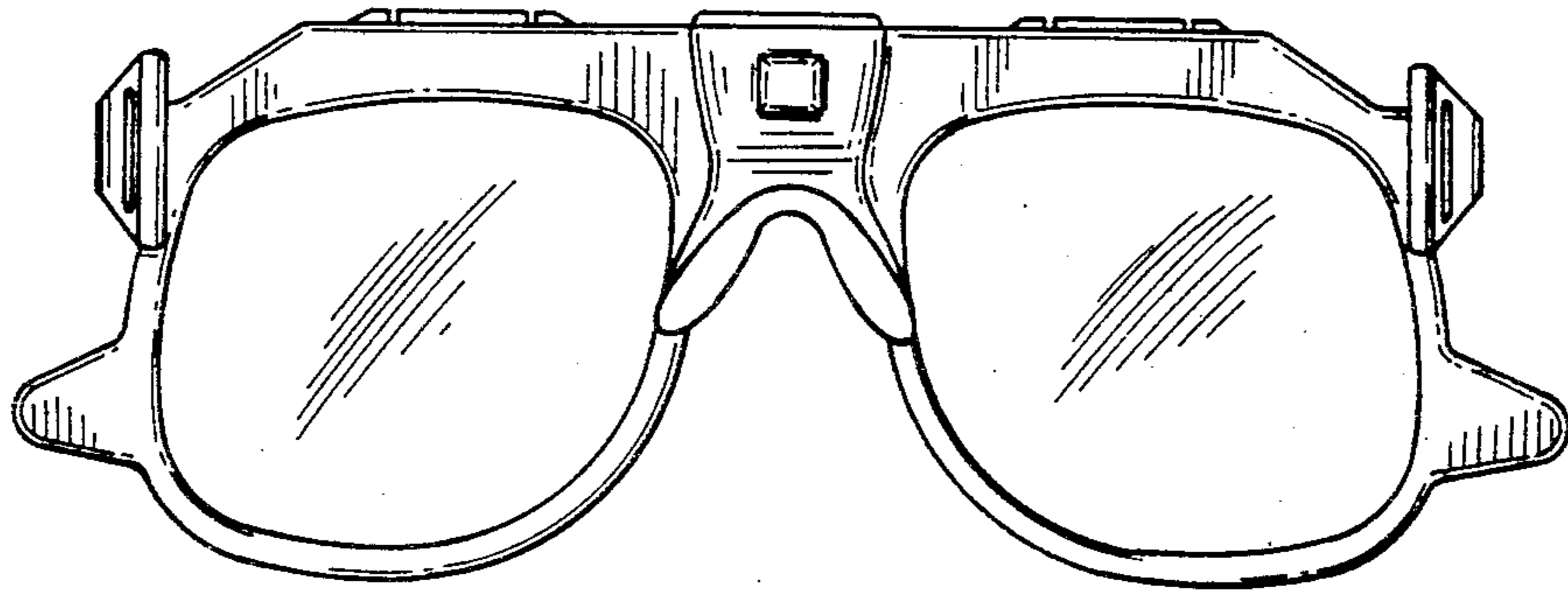


FIG. 4

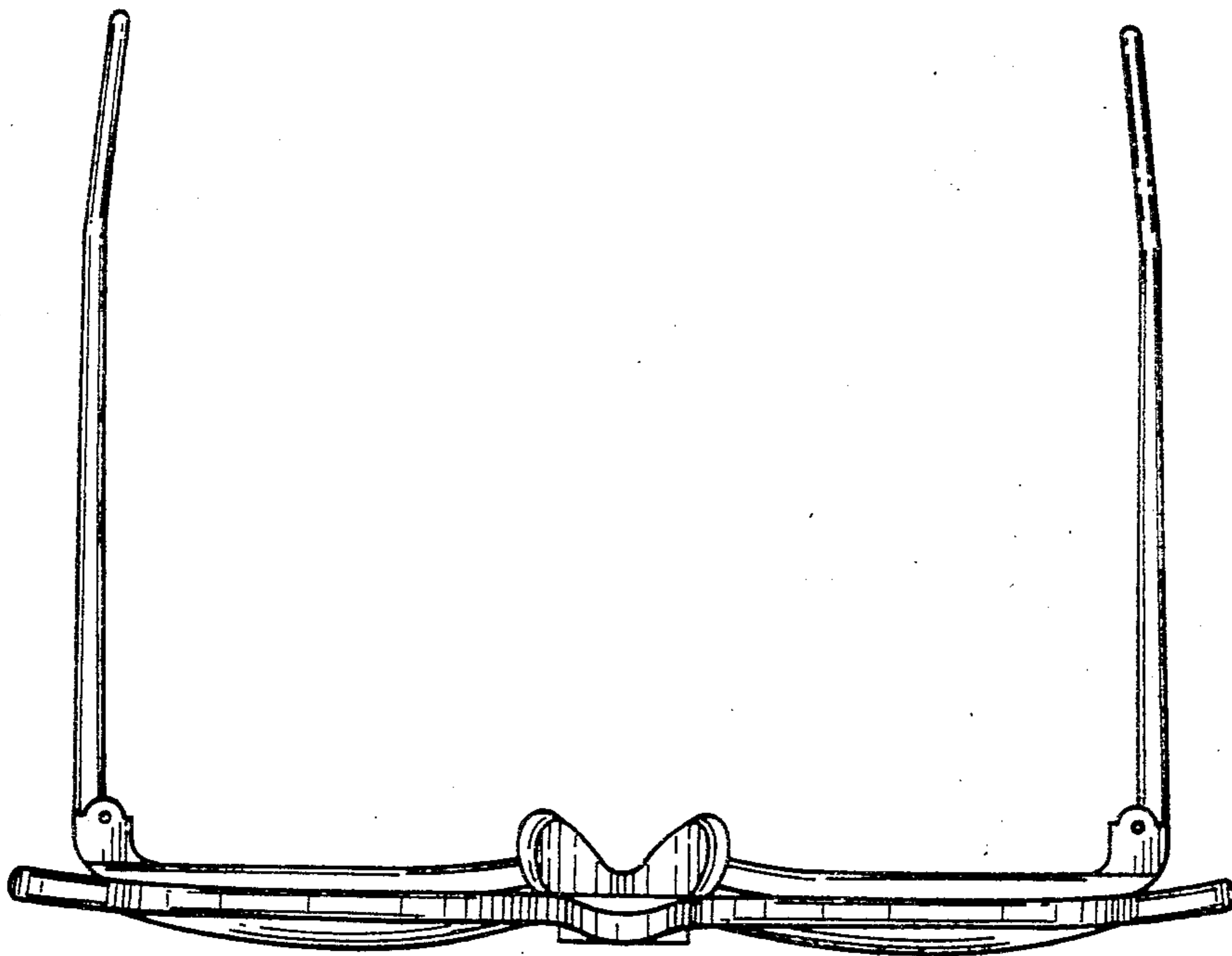


FIG. 5