

[54] ELECTROSTATIC COPYING MACHINE

[75] Inventors: Toshio Umino; Yasuhiro Saito; Tetsuya Goto, all of Kanagawa, Japan

[73] Assignee: Ricoh Company, Ltd., Japan

[**] Term: 14 Years

[21] Appl. No.: 545,651

[22] Filed: Oct. 26, 1983

[30] Foreign Application Priority Data

Apr. 26, 1983 [JP] Japan 58-017818

[52] U.S. Cl. D16/31

[58] Field of Search D16/27-32; 355/3 R, 3 SH, 4-5, 8-11, 14 R, 14 SH, 35 H, 51

[56] References Cited

U.S. PATENT DOCUMENTS

- D. 264,345 5/1982 Masaki D16/31
- D. 266,253 9/1982 Horikoshi D16/31
- D. 266,254 9/1982 Horikoshi D16/31
- D. 270,164 8/1983 Sawada D16/31
- D. 278,346 4/1985 Saito D16/31
- 3,813,157 5/1974 Fantozzi 355/51 X
- 4,490,035 12/1984 Sugiura 355/8

OTHER PUBLICATIONS

Minolta Electrographic 301, (Flyer)-4/1/81-Copier on front.

Primary Examiner—Nelson C. Holtje
Attorney, Agent, or Firm—Guy W. Shoup

[57] CLAIM

The ornamental design an electrostatic copying machine, as shown and described.

DESCRIPTION

FIG. 1 is a front elevational view of an electrostatic copying machine showing our new design;
 FIG. 2 is a top plan view thereof;
 FIG. 3 is a right side elevational view thereof;
 FIG. 4 is a left side elevational view thereof;
 FIG. 5 is a rear elevational view thereof;
 FIG. 6 is a bottom plan view thereof;
 FIG. 7 is a right front perspective view thereof;
 FIG. 8 is a right front perspective view thereof with the paper feeding and copy receiving trays in place, The feed tray being in the folds position;
 FIG. 9 is a right front perspective view of FIG. 8 with the feed tray in the extended position;
 FIG. 10 is a left side perspective view of FIG. 9 with the receiving tray in the folded position;
 FIG. 11 is a left front perspective view of FIG. 9 with the receiving tray in the closed position.
 The paper feed and receiving trays were omitted from FIGS. 1-7 for ease of illustration and clarity.

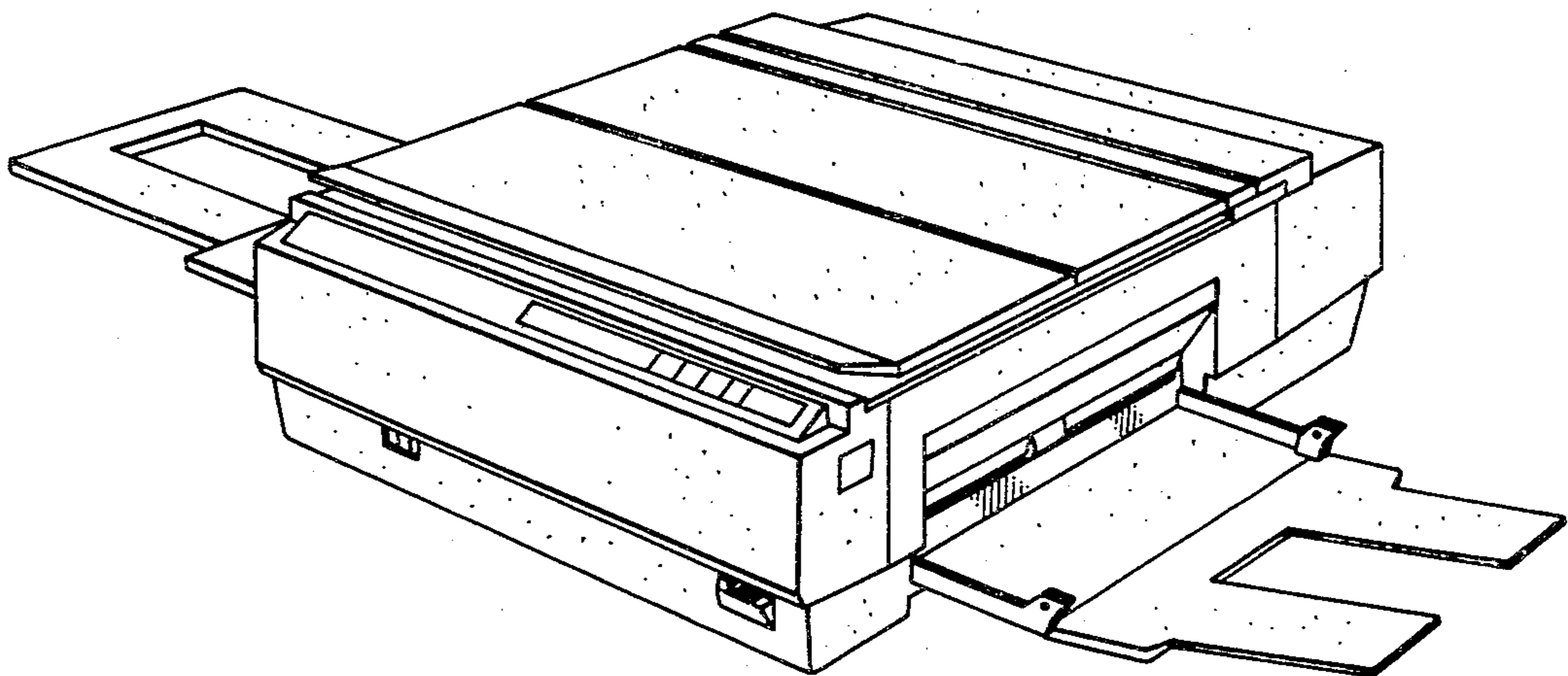


FIG. 1

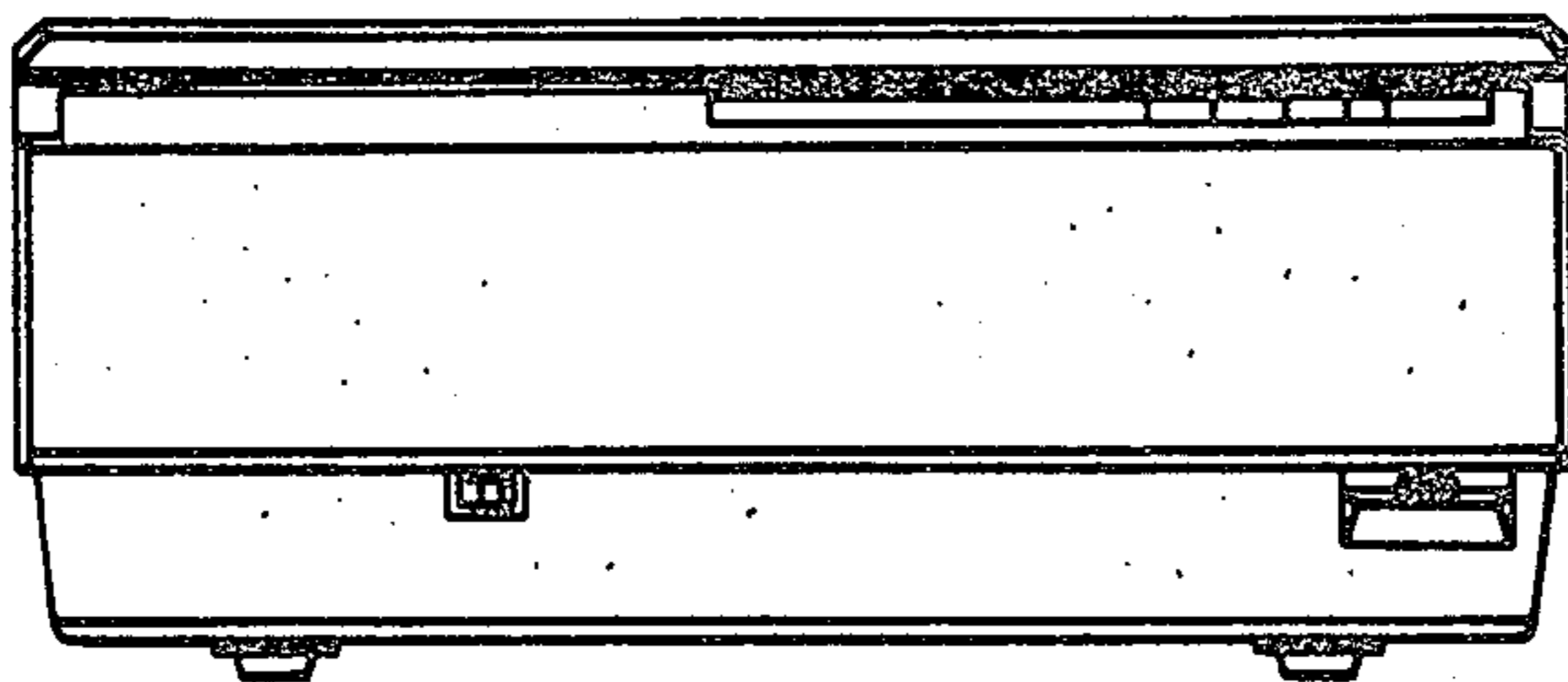


FIG. 2

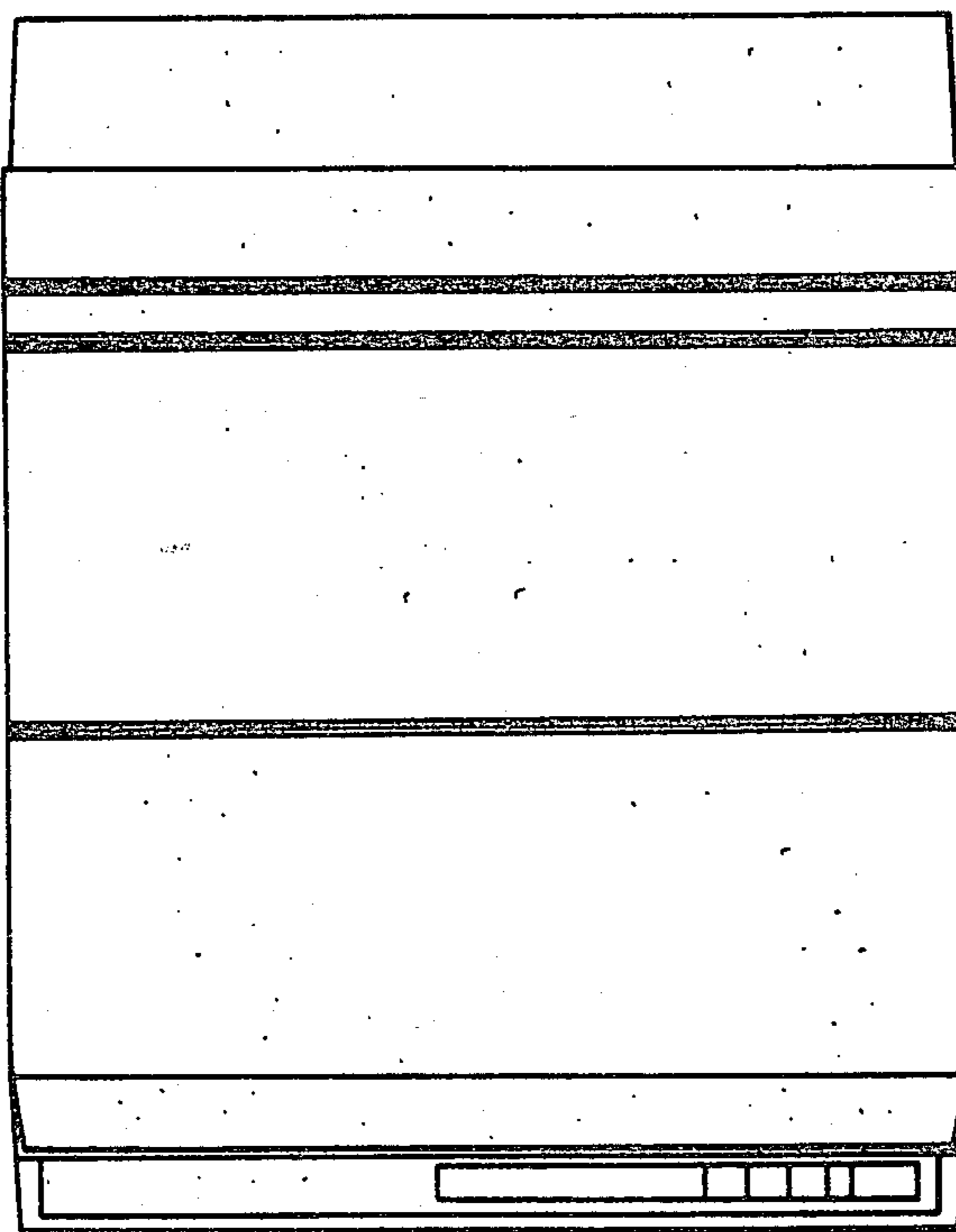


FIG. 3

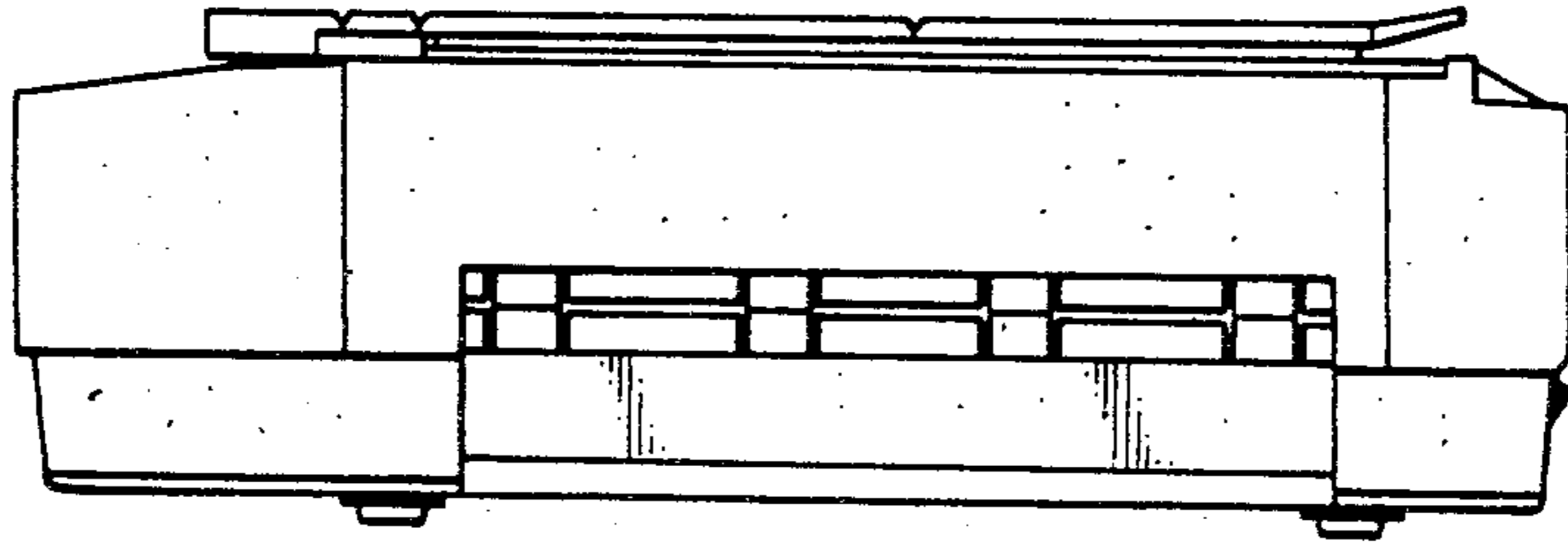


FIG. 4

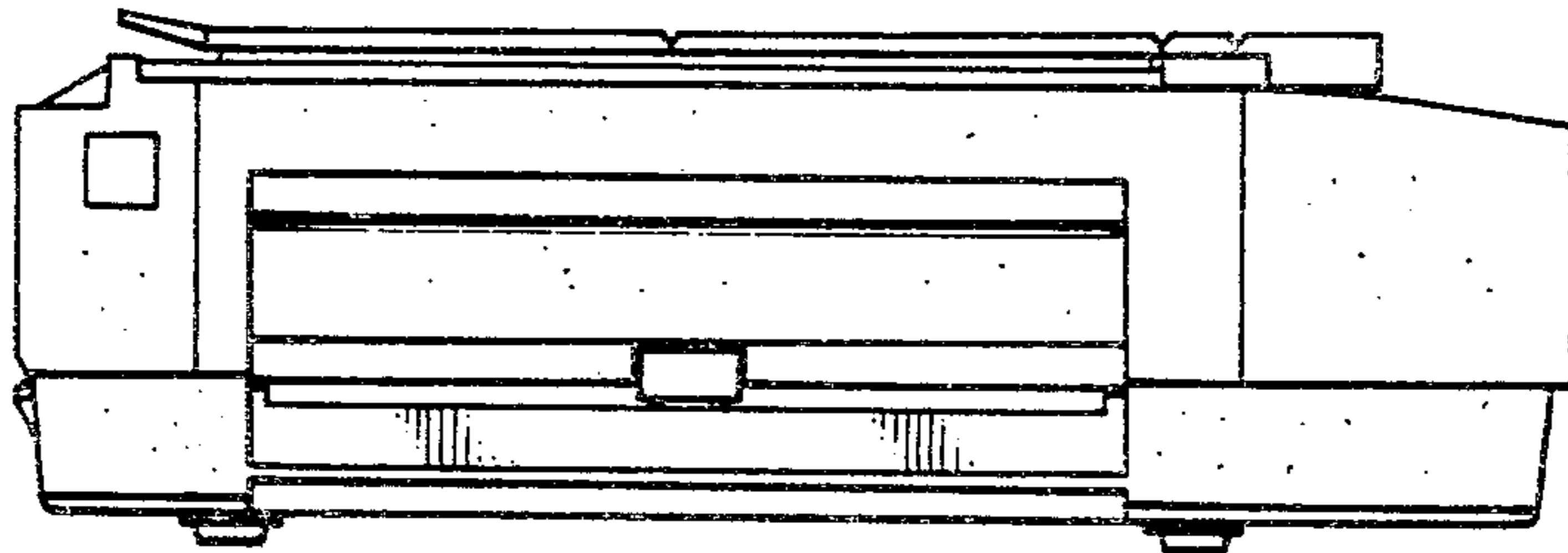


FIG. 5

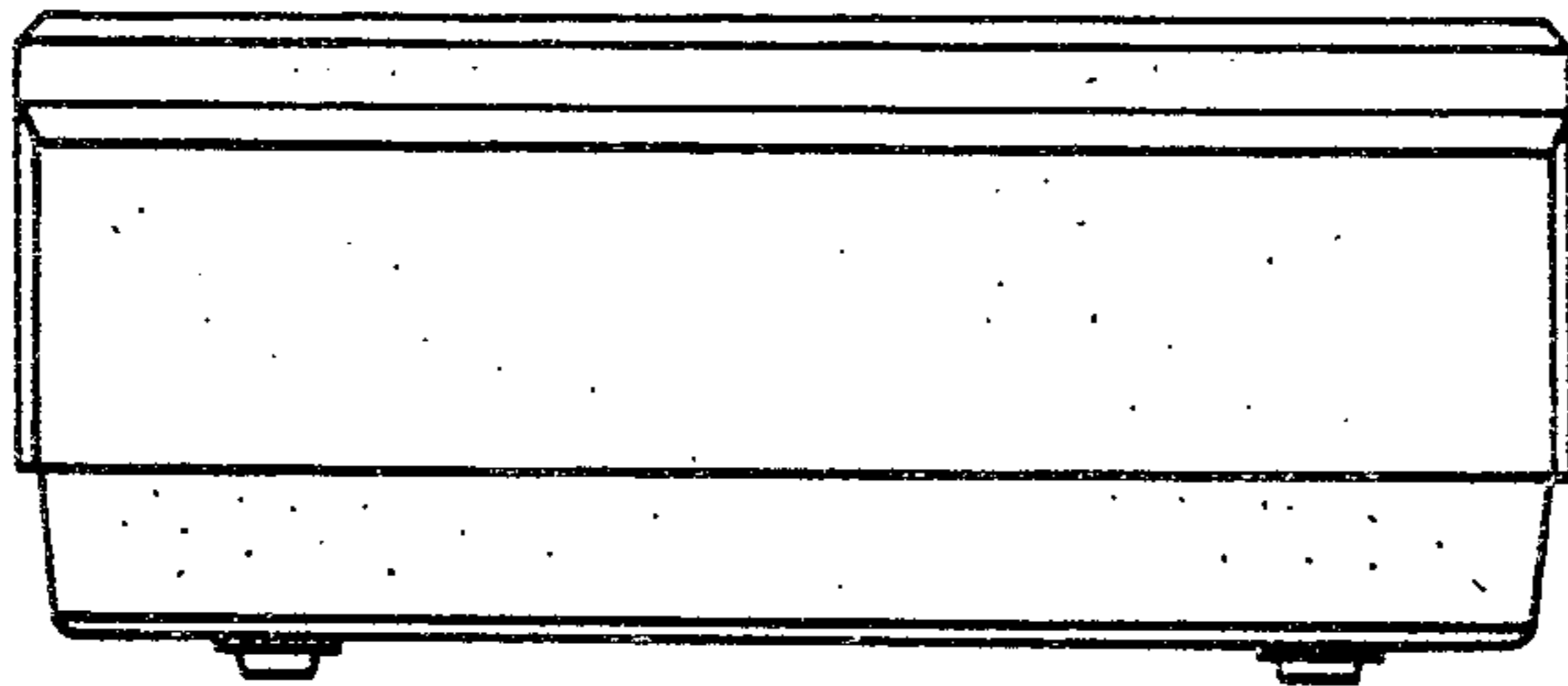


FIG. 6

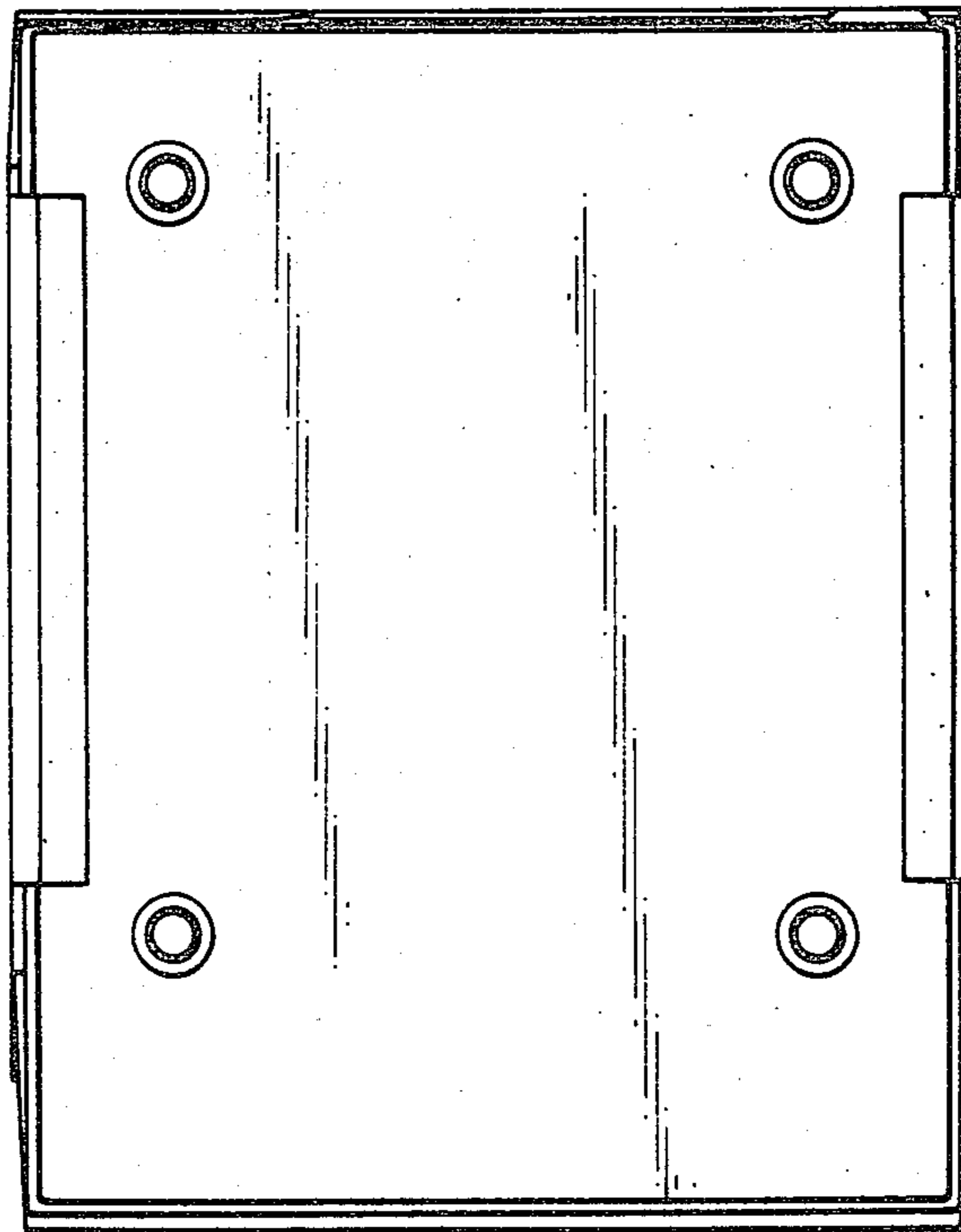


FIG. 7

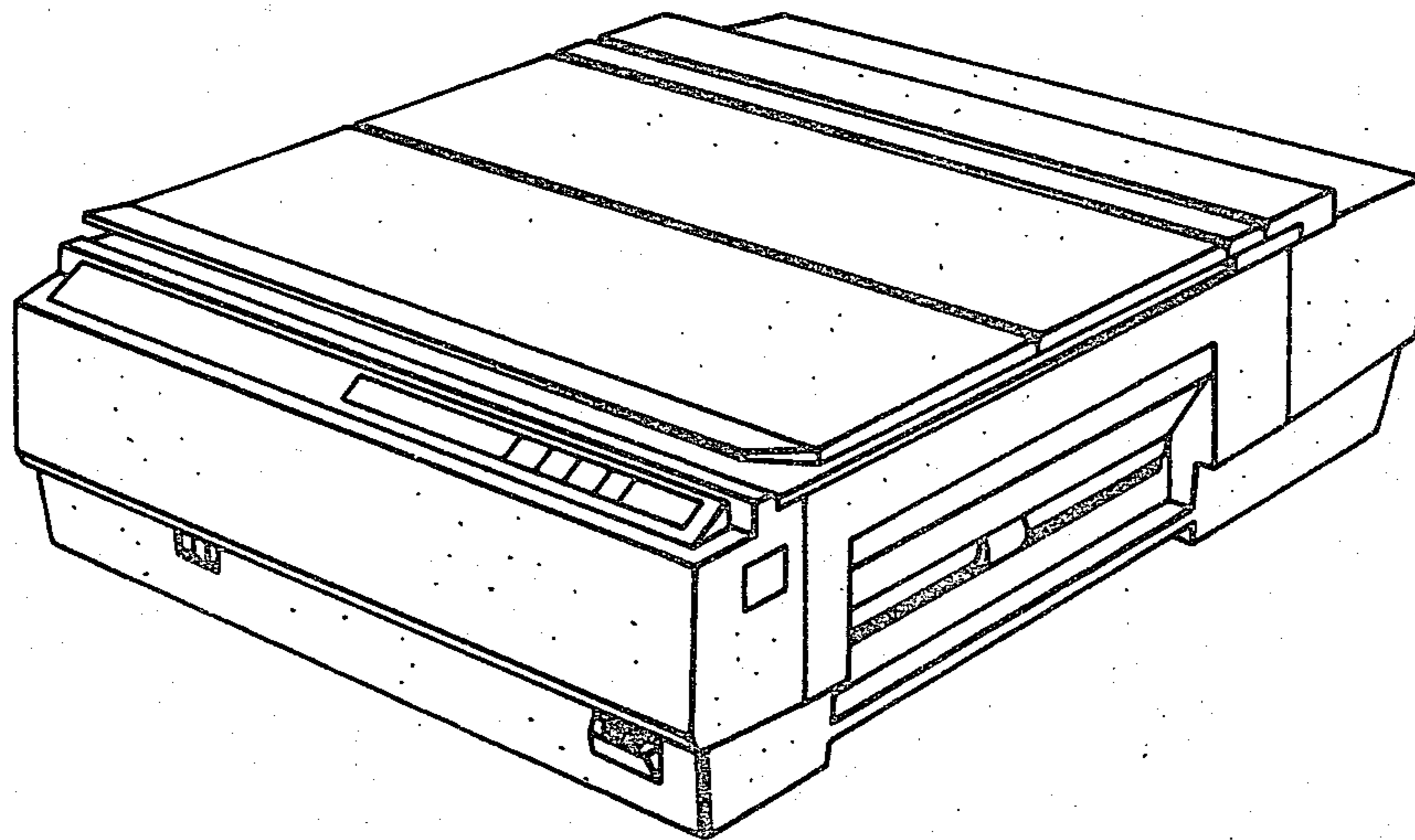


FIG. 8

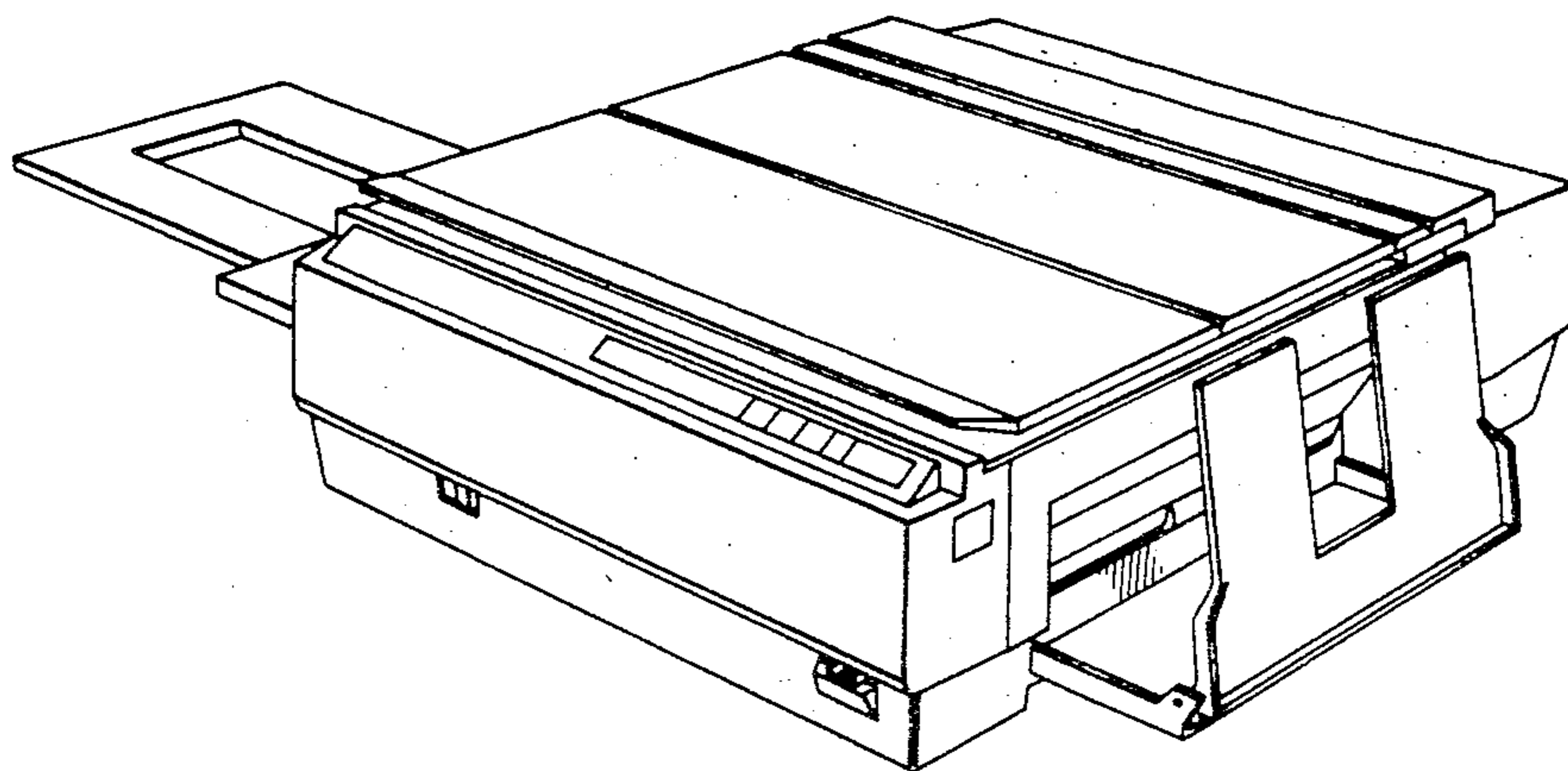


FIG. 9

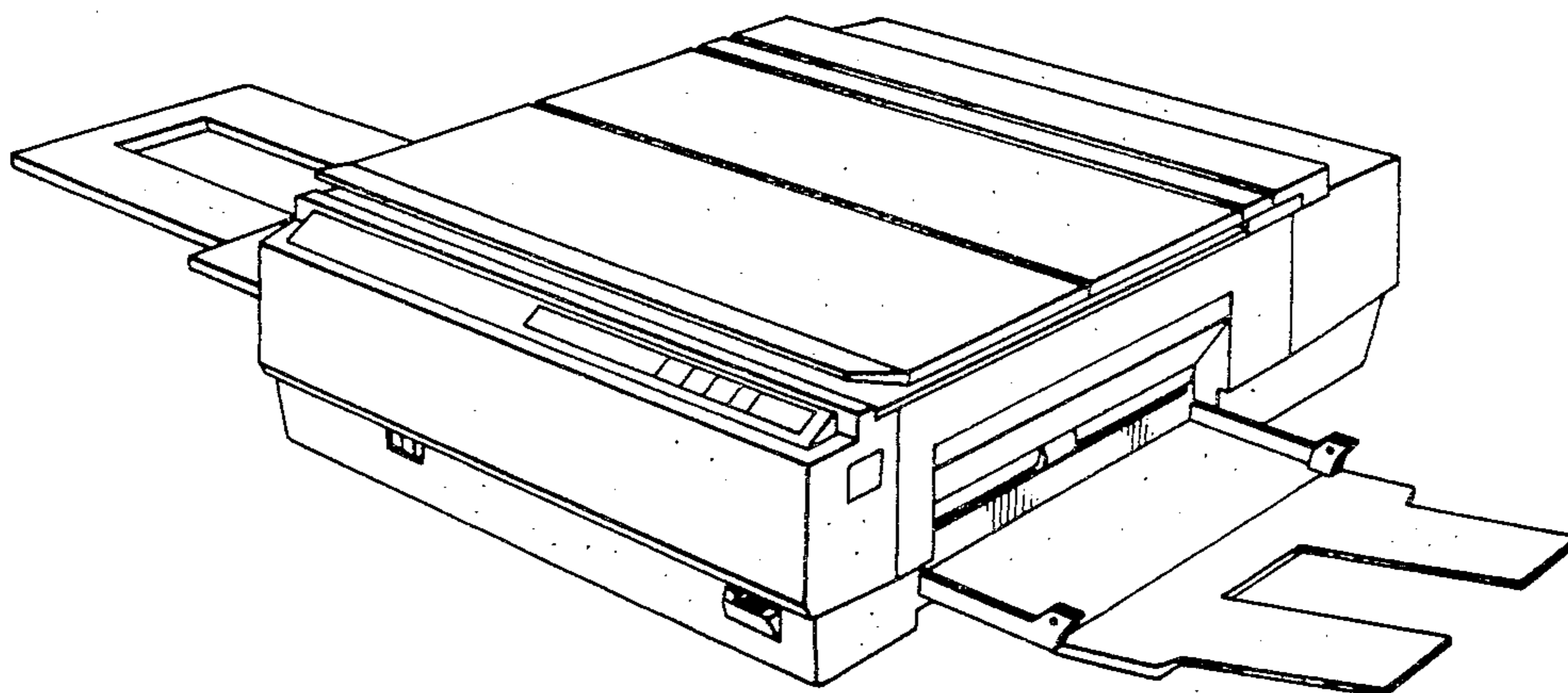


FIG. 10

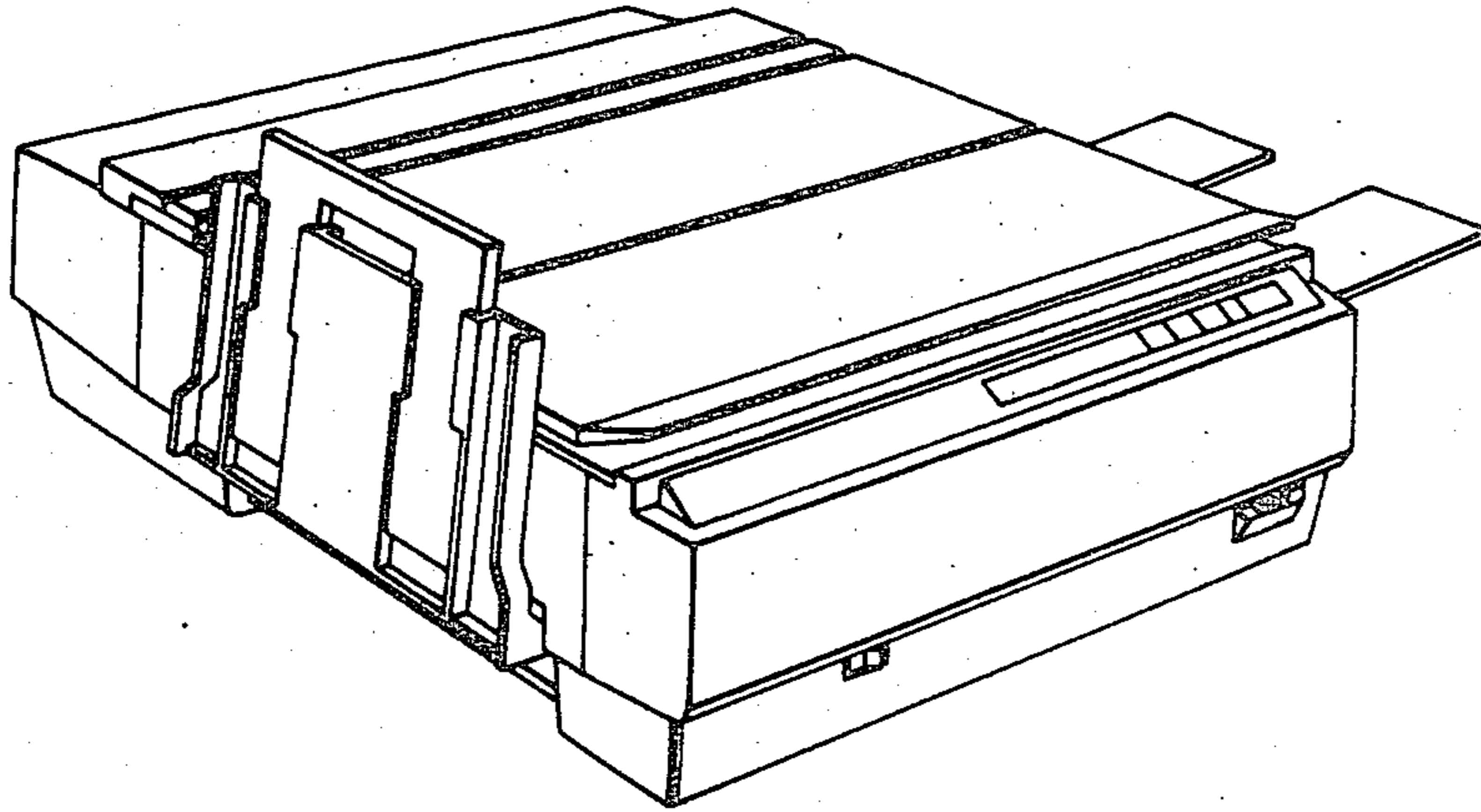


FIG. 11

