

[54] PORTABLE COMPUTER

[75] Inventor: James P. Dunn, Westport, Conn.

[73] Assignee: MicroOffice Systems Technology, Fairfield, Conn.

[**] Term: 14 Years

[21] Appl. No.: 484,370

[22] Filed: Apr. 12, 1983

[52] U.S. Cl. D14/106

[58] Field of Search D14/100, 106; 340/700, 340/706, 711, 720

[56] References Cited

U.S. PATENT DOCUMENTS

D. 250,588 12/1978 Mayer et al. D14/106

OTHER PUBLICATIONS

Grid Systems Corp. Compass® Computer brochure ©1982, portable computer.

Primary Examiner—Susan J. Lucas
Attorney, Agent, or Firm—Toren, McGeady, Stanger, Goldberg & Kiel

[57] CLAIM

The ornamental design for a portable computer, as shown and described.

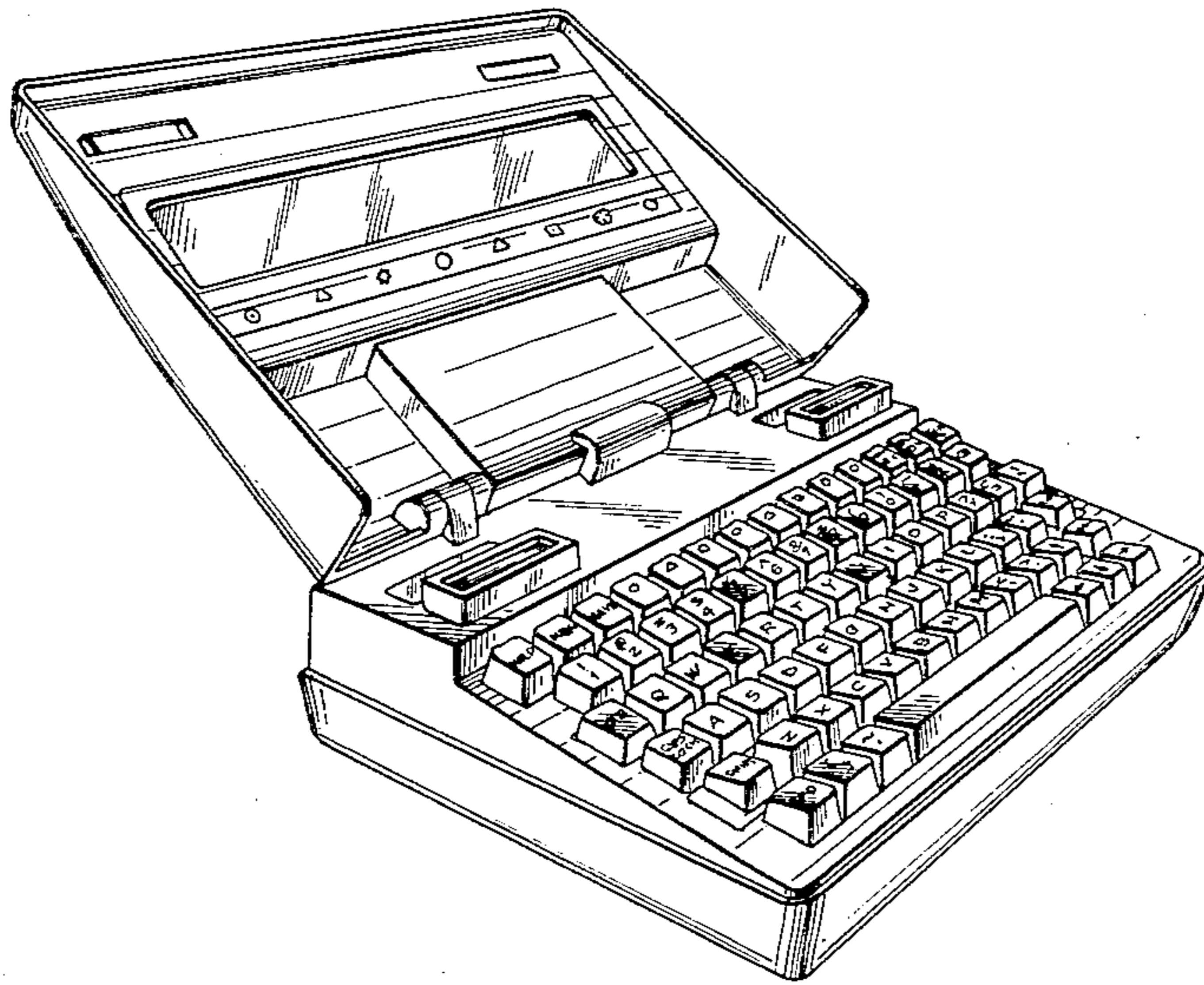
DESCRIPTION

FIG. 1 is a top front perspective view of the portable computer showing my new design, with the cover in the open position to show the display panel keyboard and cartridges in 2 of the four slots above the keyboard. FIG. 2 is a front right side perspective view thereof.

FIG. 3 is a front perspective view of the computer on a reduced scale, with the cover in a closed position.

FIG. 4 is a rear perspective view thereof.

The left side of the portable computer is a mirror image of the right side.



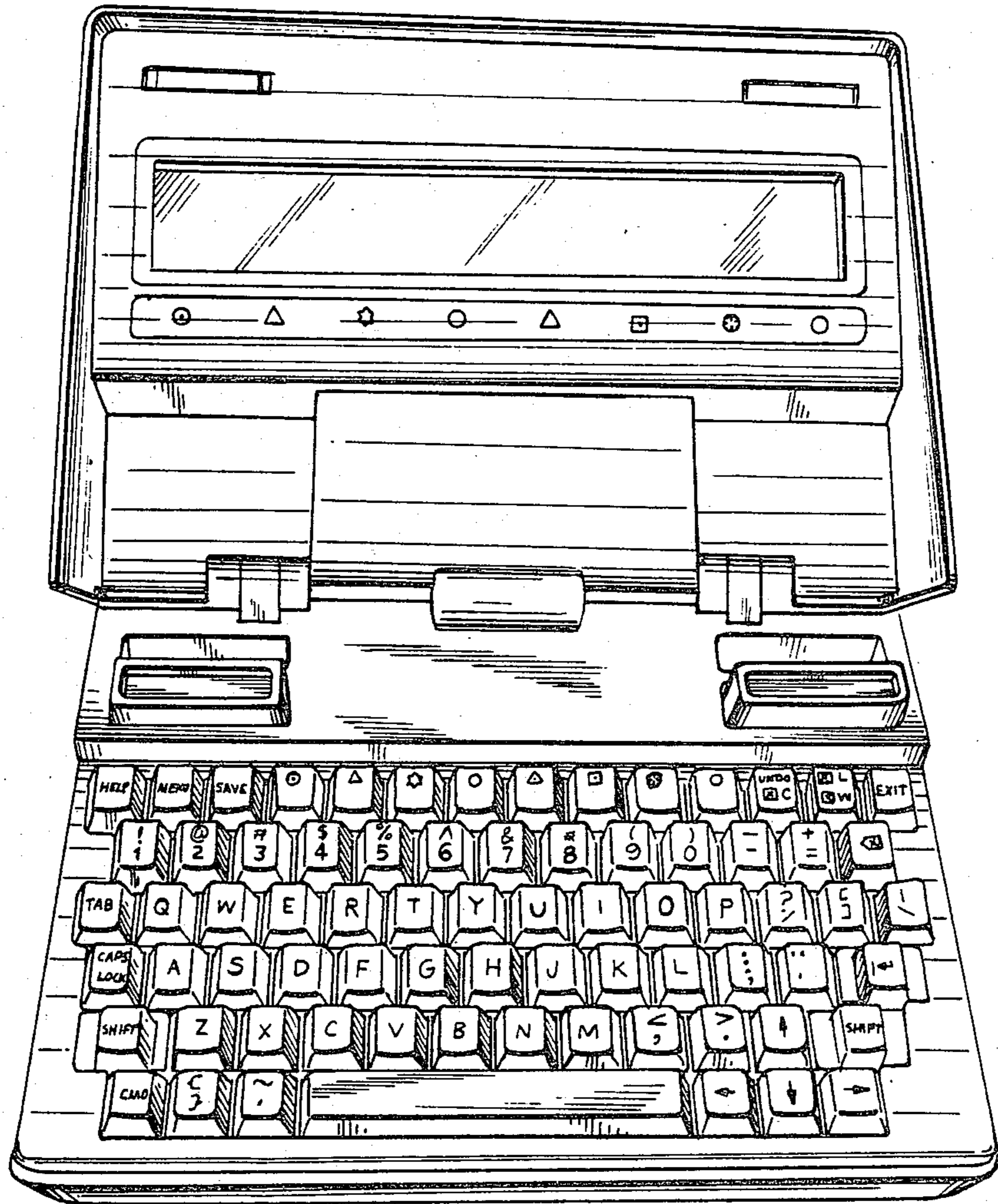


FIG. 1

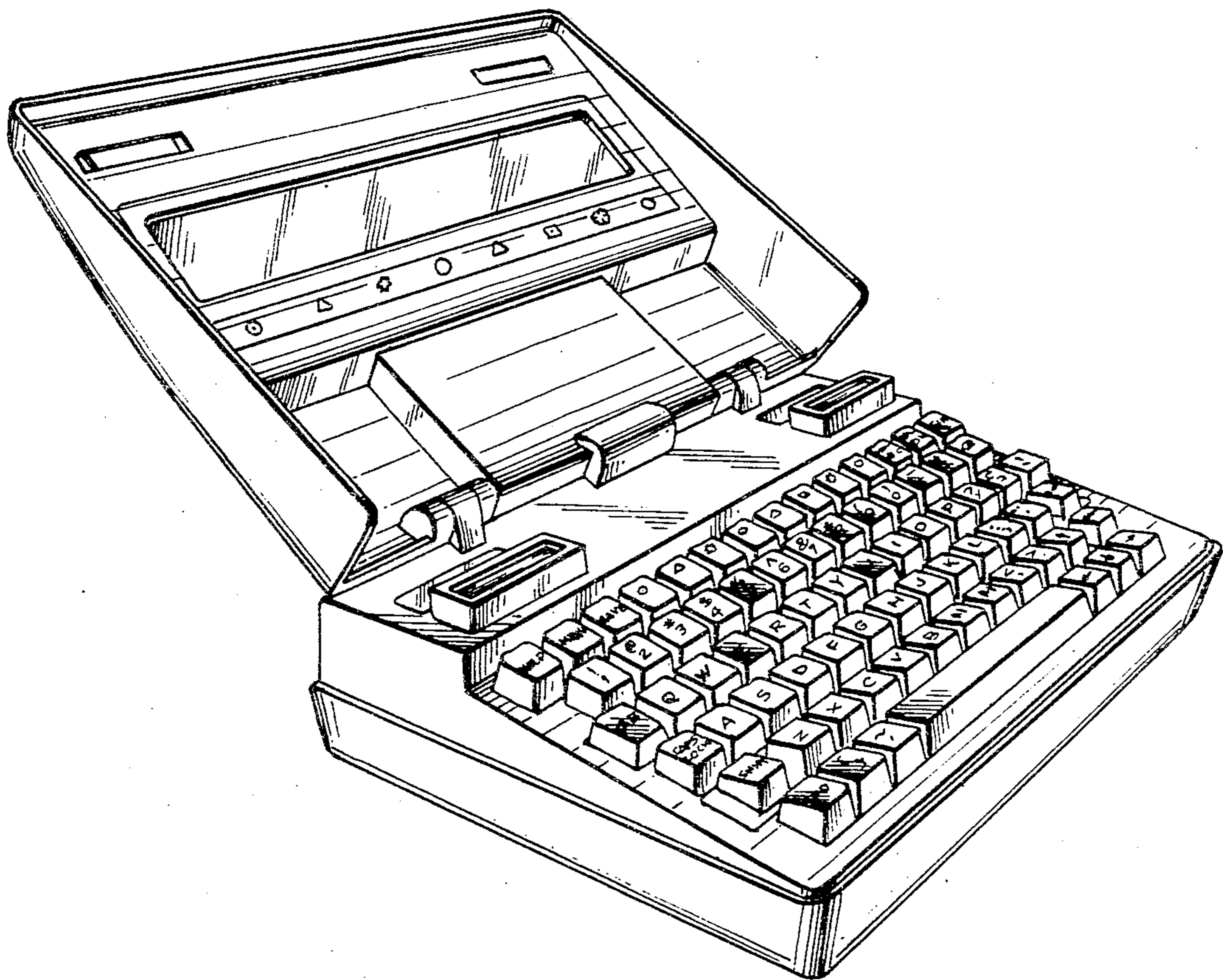


FIG.2

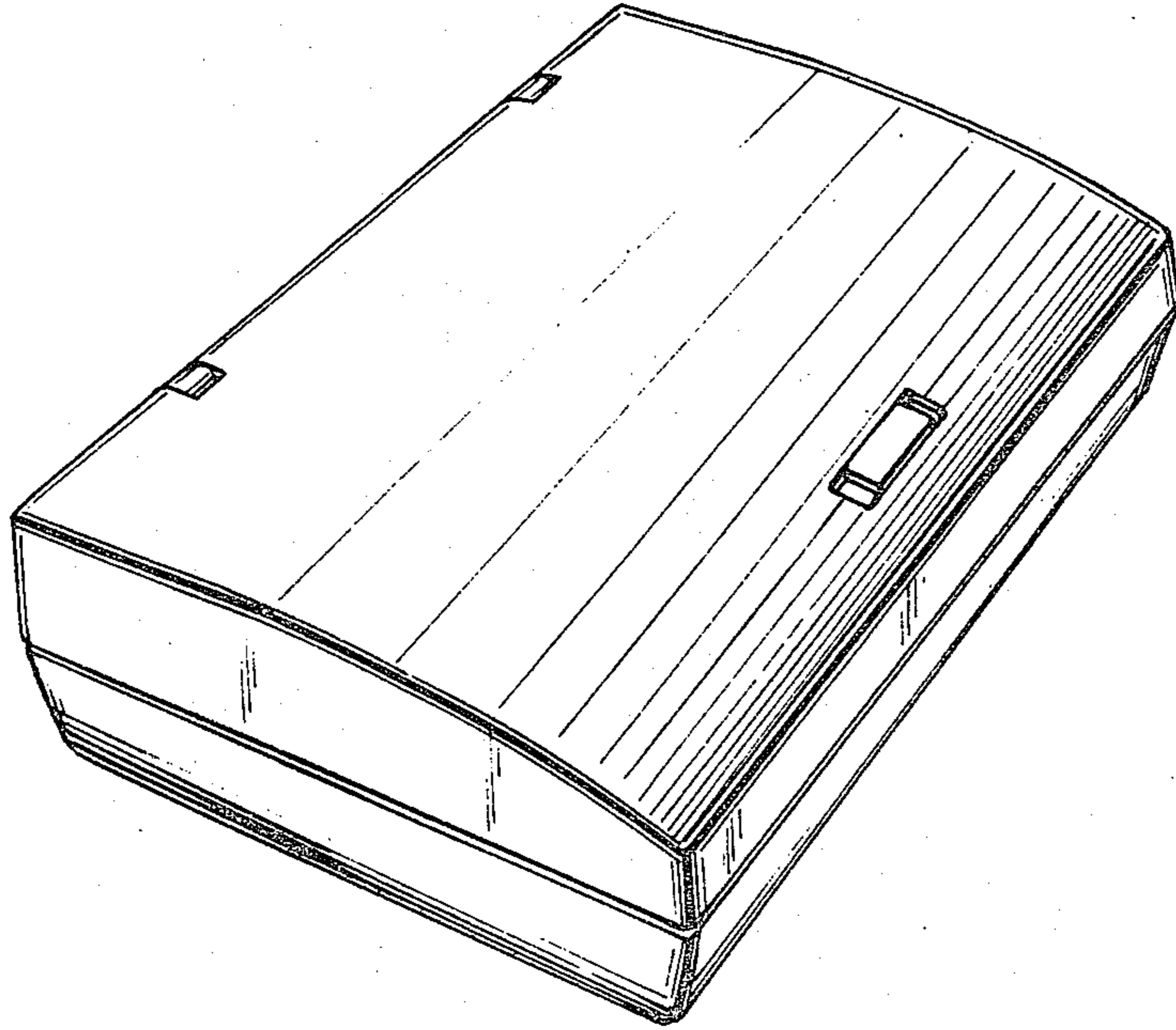


FIG. 3

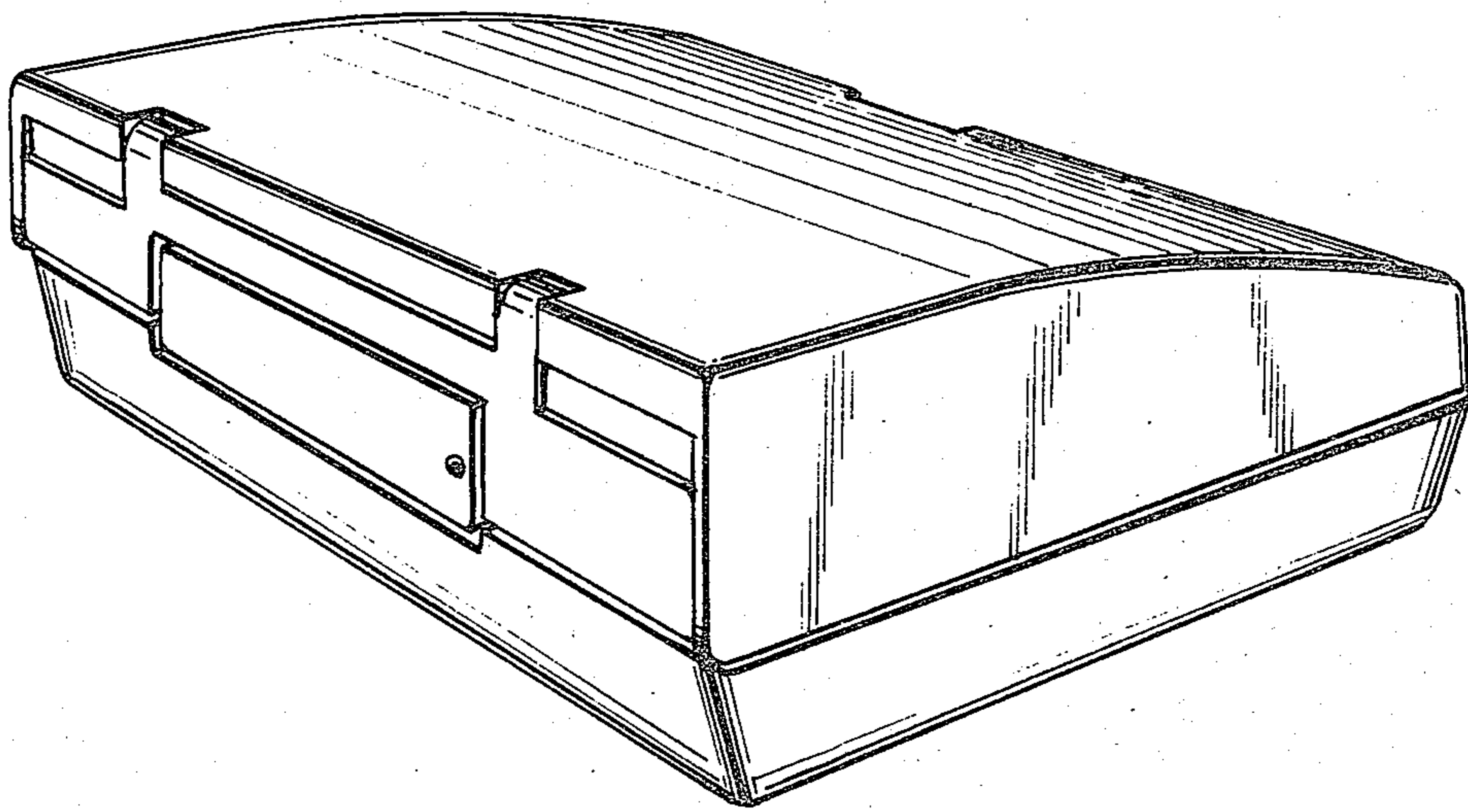


FIG. 4