

# United States Patent [19]

Hsu

[11] Patent Number: **Des. 283,510**

[45] Date of Patent: **\*\* Apr. 22, 1986**

[54] **CLOCK-RADIO**

[76] Inventor: **Jian T. Hsu**, No. 28, Alley 2, Lane 25, Min-Sheng St., Chung Ho City, Taipei Hsien, Taiwan

[\*\*] Term: **14 Years**

[21] Appl. No.: **528,541**

[22] Filed: **Sep. 1, 1983**

[52] U.S. Cl. .... **D14/73**

[58] Field of Search ..... D14/1, 5, 6, 34, 68-76, D14/53; D10/2, 15, 31

[56] **References Cited**

**U.S. PATENT DOCUMENTS**

- D. 50,984 7/1917 Hoche ..... D10/2
- D. 86,838 4/1932 Hoffman ..... D10/2

- D. 87,403 7/1932 O'Donnell ..... D14/73
- D. 232,771 9/1974 Hoshino et al. .... D14/73
- D. 262,454 12/1981 Thomas ..... D14/53

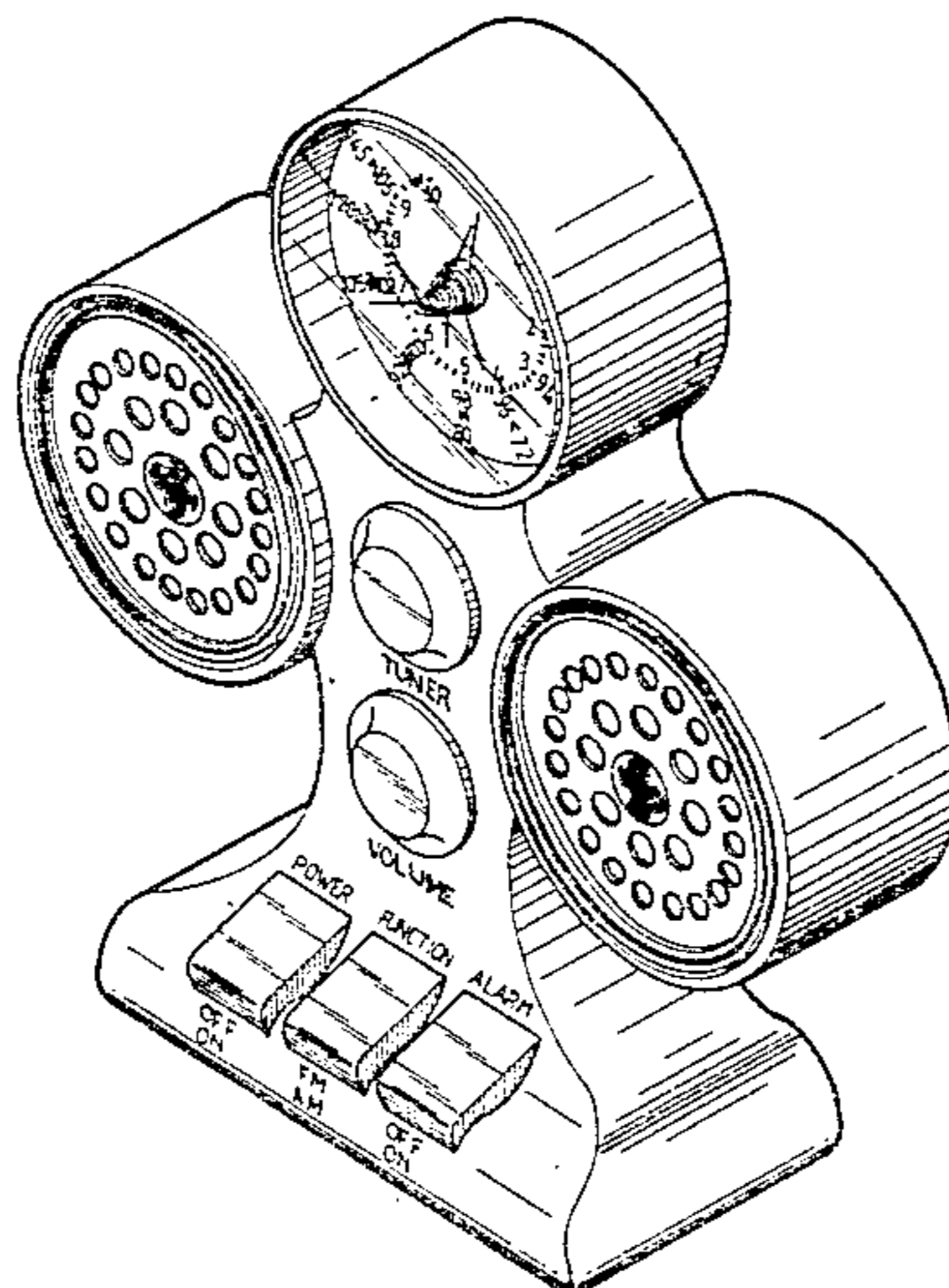
*Primary Examiner*—Jane E. Corrigan

[57] **CLAIM**

The ornamental design for a clock-radio, substantially as described and shown.

**DESCRIPTION**

FIG. 1 is a front, top and right side perspective view of a clock-radio, showing my new design;  
 FIG. 2 is a top plan view;  
 FIG. 3 is a front elevational view;  
 FIG. 4 is a rear elevational view;  
 FIG. 5 is a bottom plan view;  
 FIG. 6 is a left side elevational view; and  
 FIG. 7 is a right side elevational view thereof.



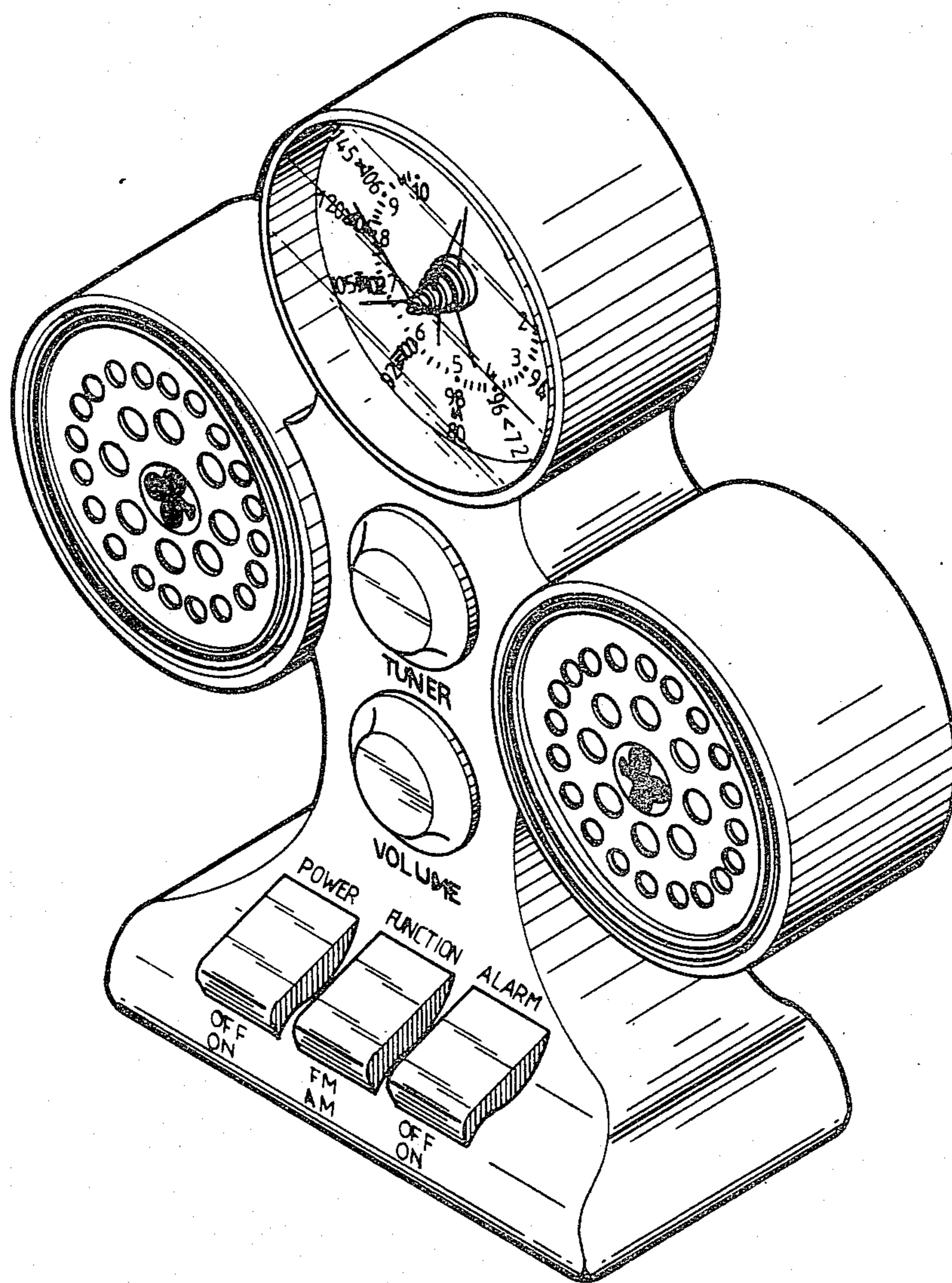


FIG. 1

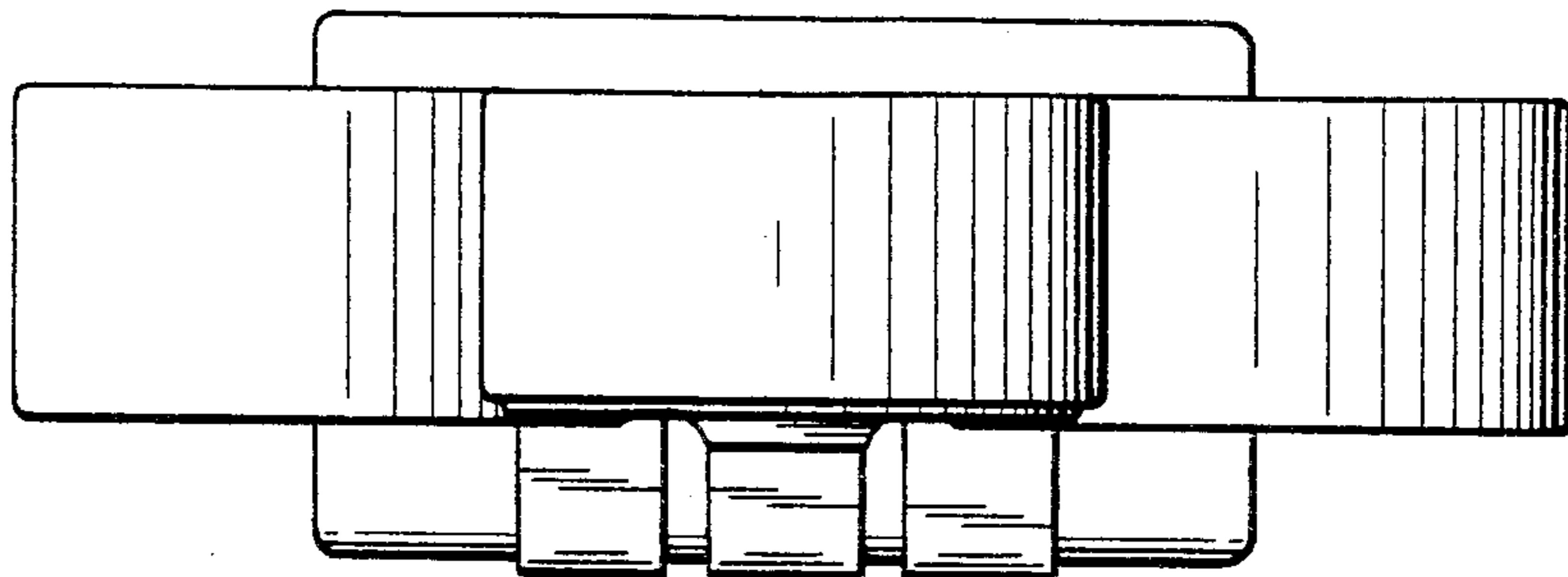


FIG. 2

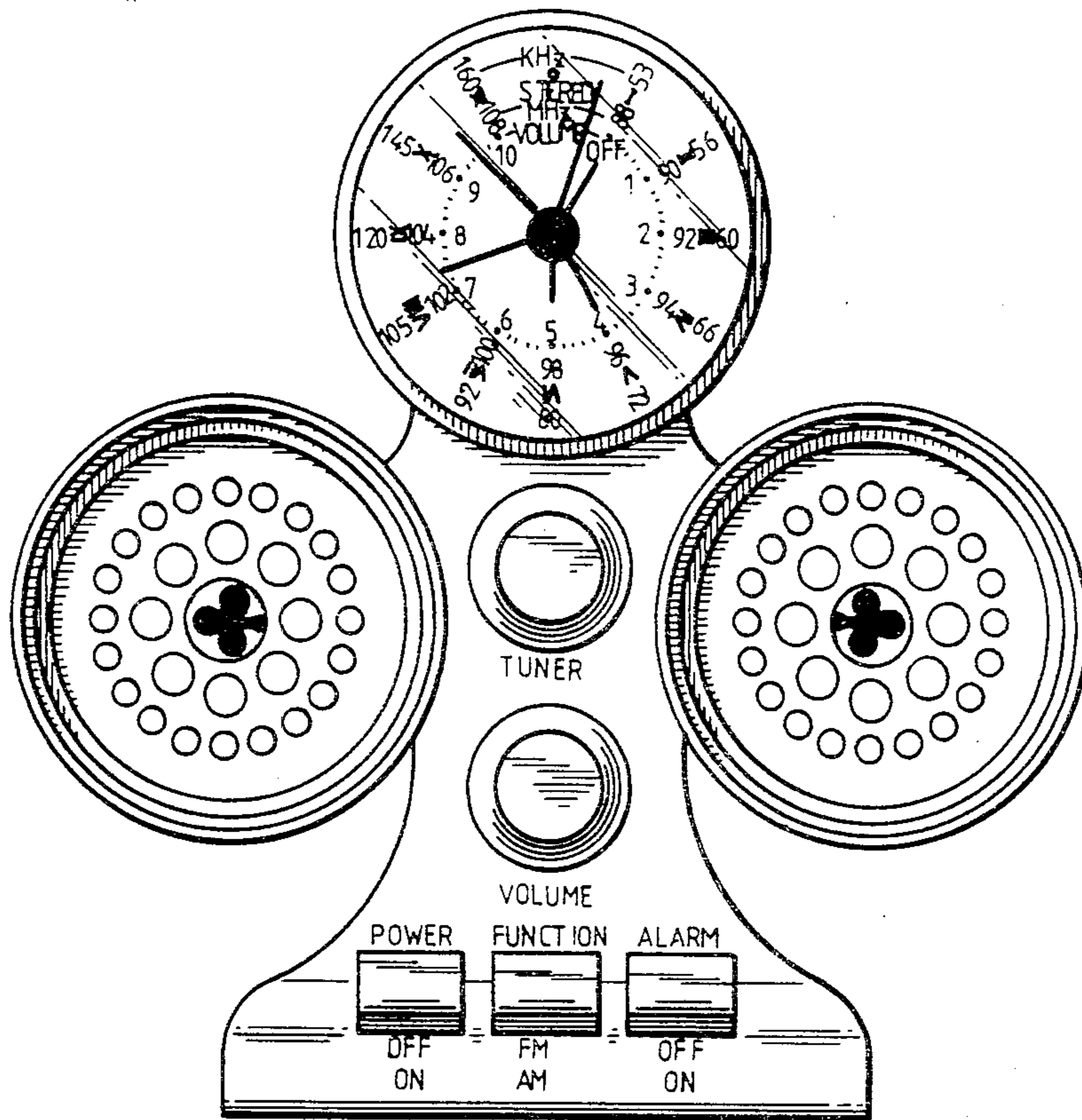


FIG. 3

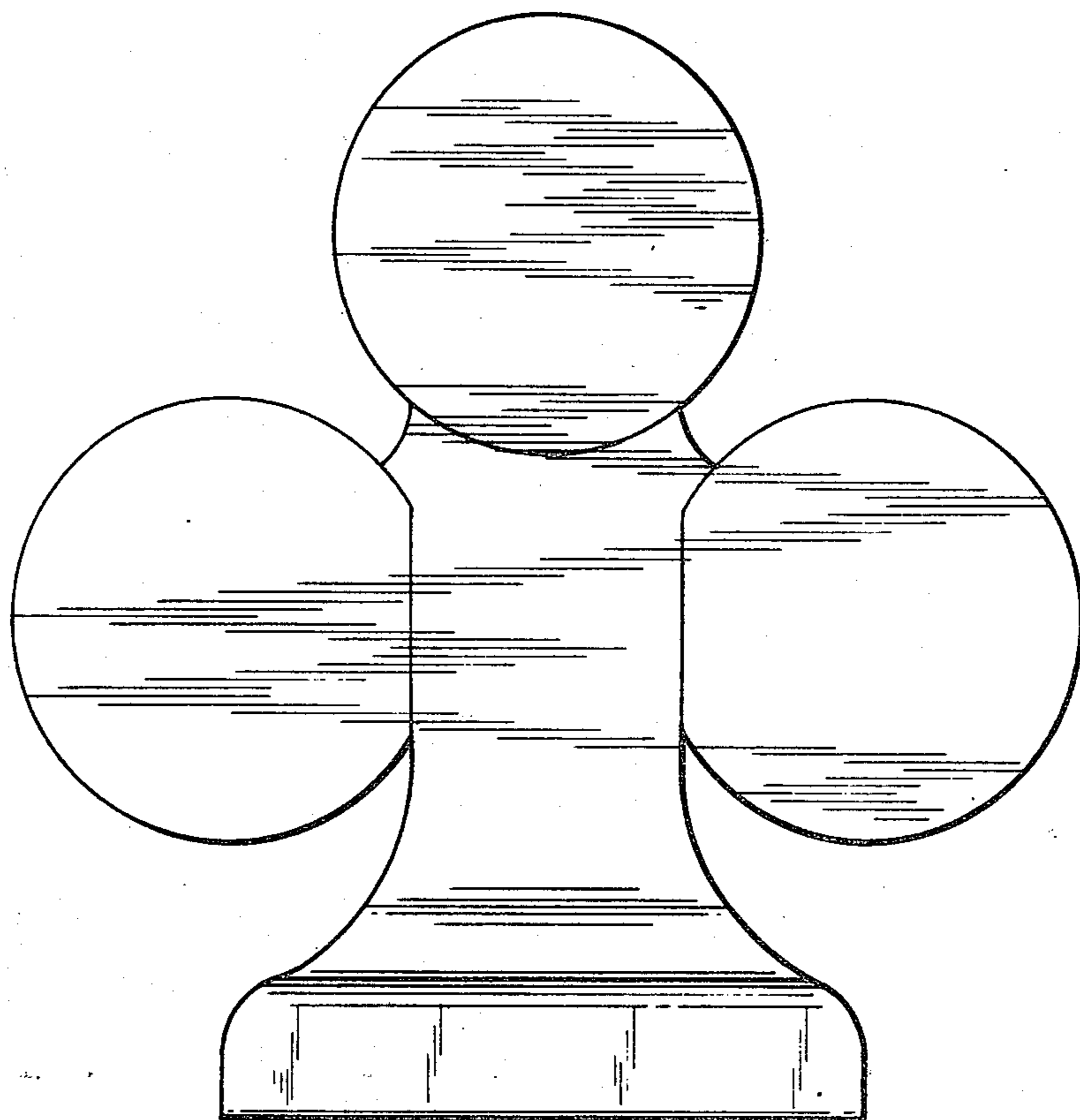


FIG 4

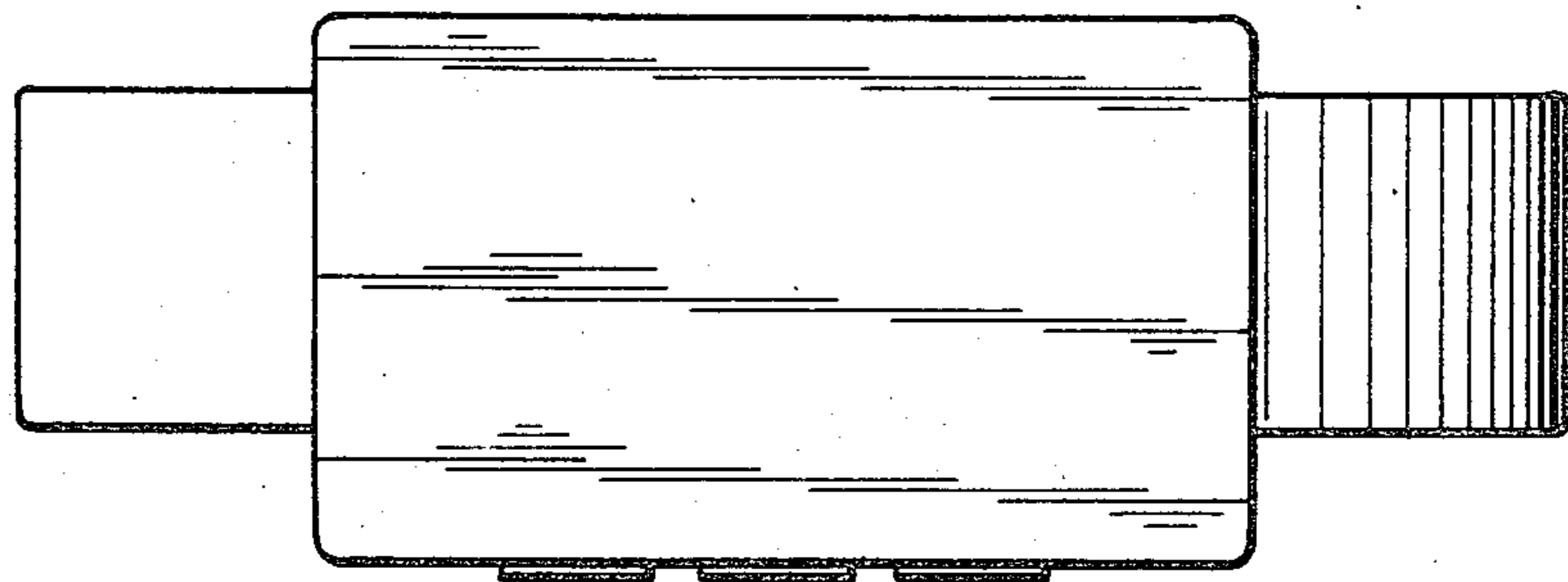


FIG 5

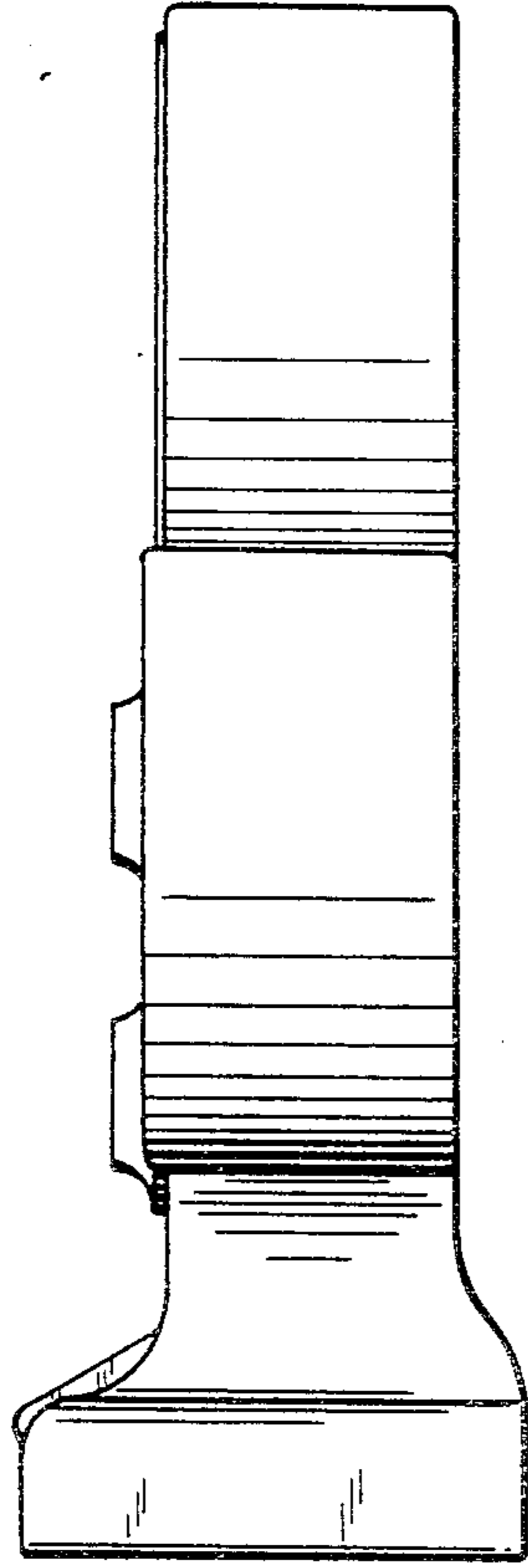


FIG 6

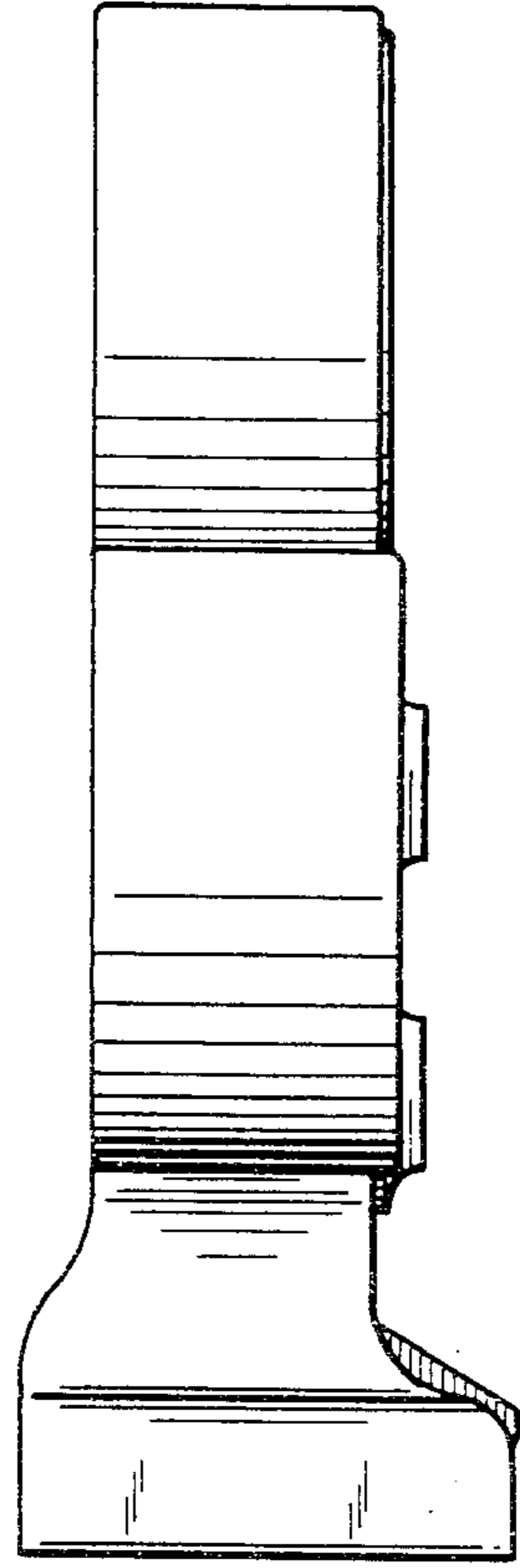


FIG 7