

[54] KEY TELEPHONE SET

[75] Inventor: Akijiro Miyake, Kawasaki, Japan

[73] Assignee: Nippon Tsushin Kogyo Kabushiki Kaisha, Kanagawa, Japan

[**] Term: 14 Years

[21] Appl. No.: 556,994

[22] Filed: Dec. 1, 1983

[30] Foreign Application Priority Data

Oct. 3, 1983 [JP] Japan 58-42603

[52] U.S. Cl. D14/53; D14/58; D14/62; D14/60

[58] Field of Search D14/52, 53, 58, 60, D14/62, 63; 179/179, 100 R, 100 D, 100 C, 100 L, 101, 103, 28, 99 R

[56] References Cited

U.S. PATENT DOCUMENTS

- D. 207,091 11/1982 Ohno D14/58
- D. 269,674 7/1983 Hirota et al. D14/53
- D. 275,751 10/1984 Mohan D14/58

- D. 278,533 4/1985 Ando D14/62
- D. 280,404 9/1985 Inaba D14/62

OTHER PUBLICATIONS

Telephony, Jul. 10, 1983; p. 162, "Businesscom" TM by TIE ®.

Primary Examiner—Wallace R. Burke
Assistant Examiner—Horace B. Fay
Attorney, Agent, or Firm—Burns, Doane, Swecker & Mathis

[57] CLAIM

The ornamental design for a key telephone set, substantially as shown and described.

DESCRIPTION

FIG. 1 is a front elevational view of a key telephone set showing our new design;
FIG. 2 is a rear elevational view thereof;
FIG. 3 is a left side elevational view thereof;
FIG. 4 is a right side elevational view thereof;
FIG. 5 is a top plan view thereof;
FIG. 6 is a bottom plan view thereof;
FIG. 7 is a perspective view thereof.

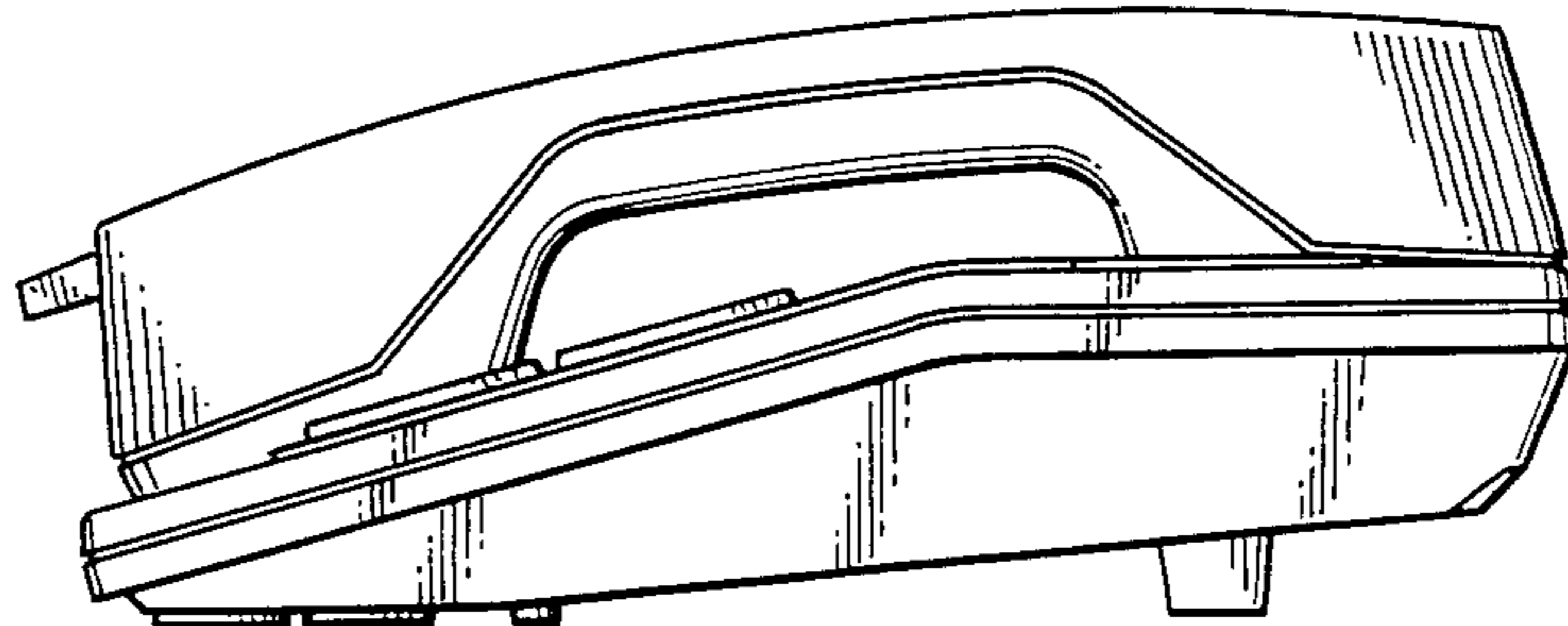


Fig. 1

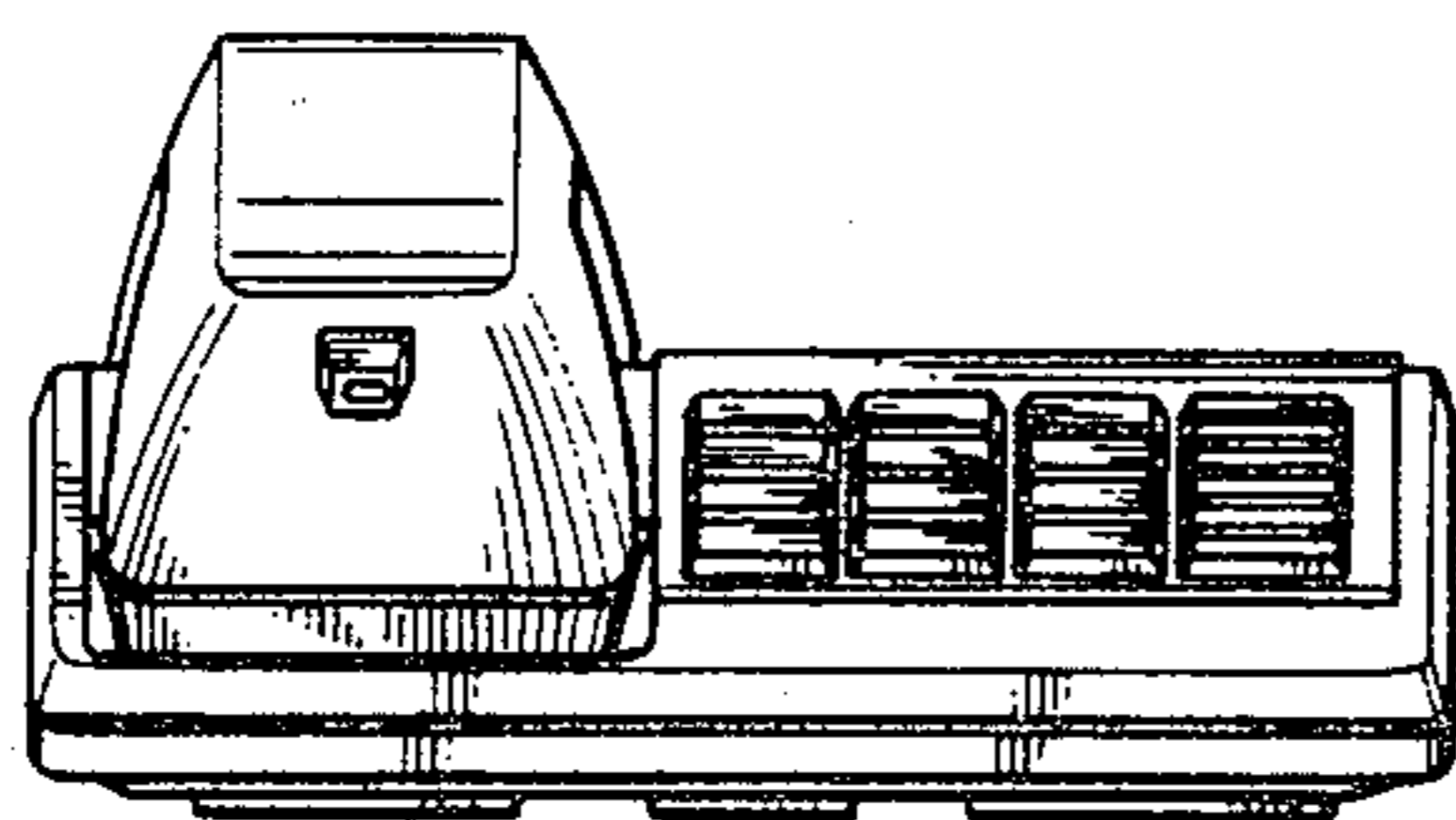


Fig. 2

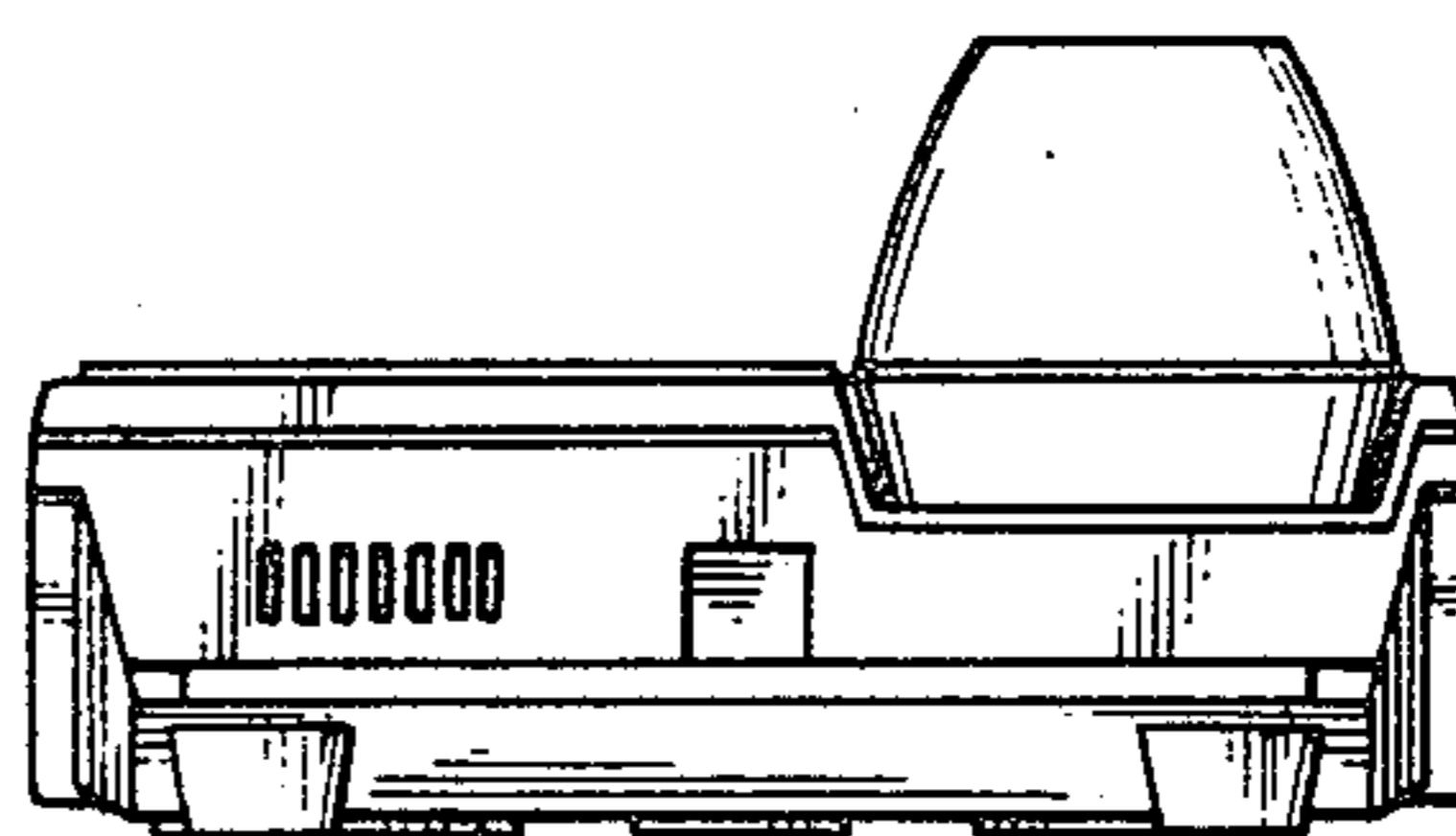


Fig. 3

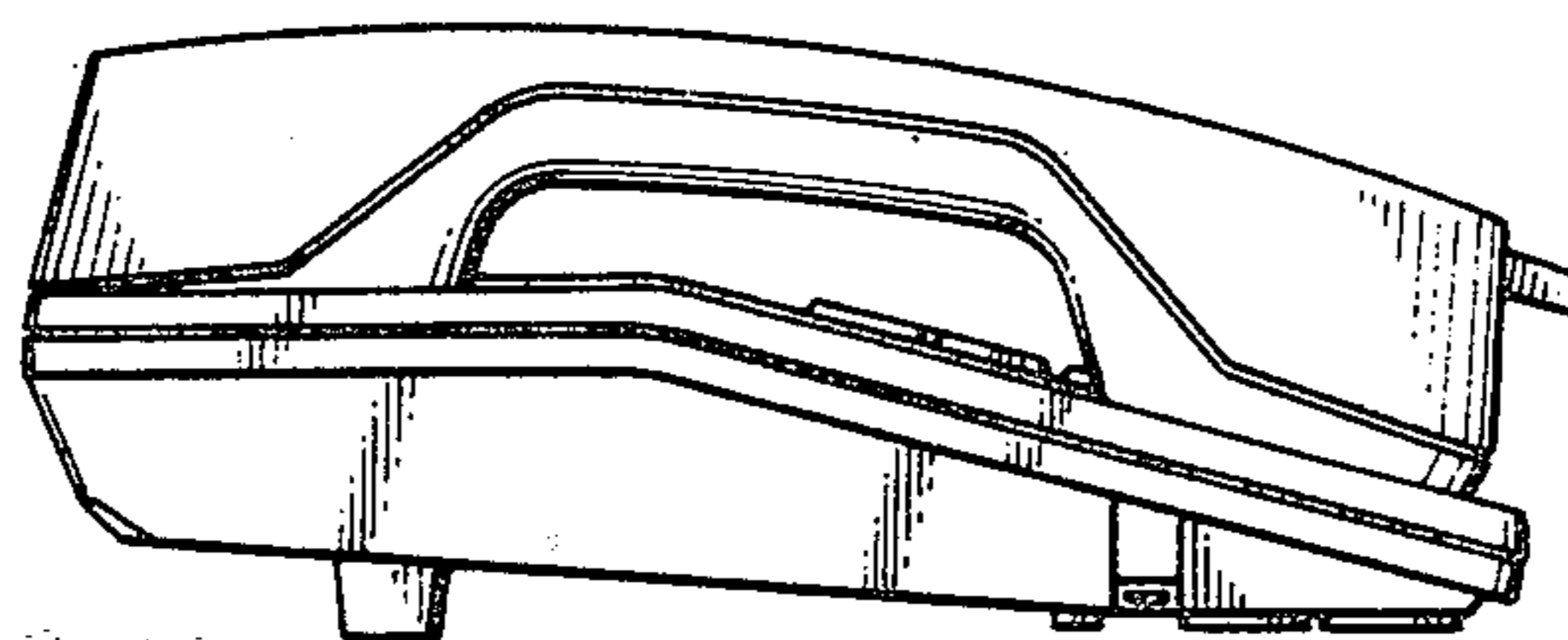


Fig. 4

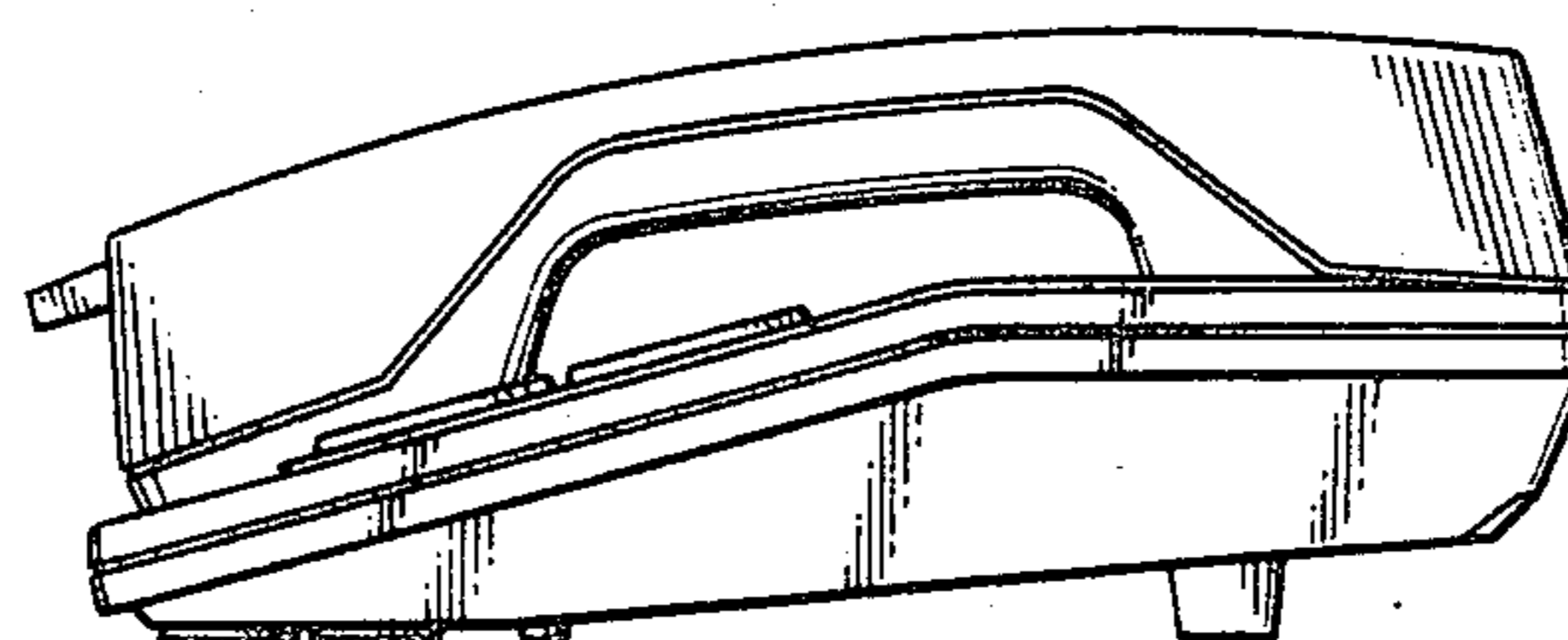


Fig. 5

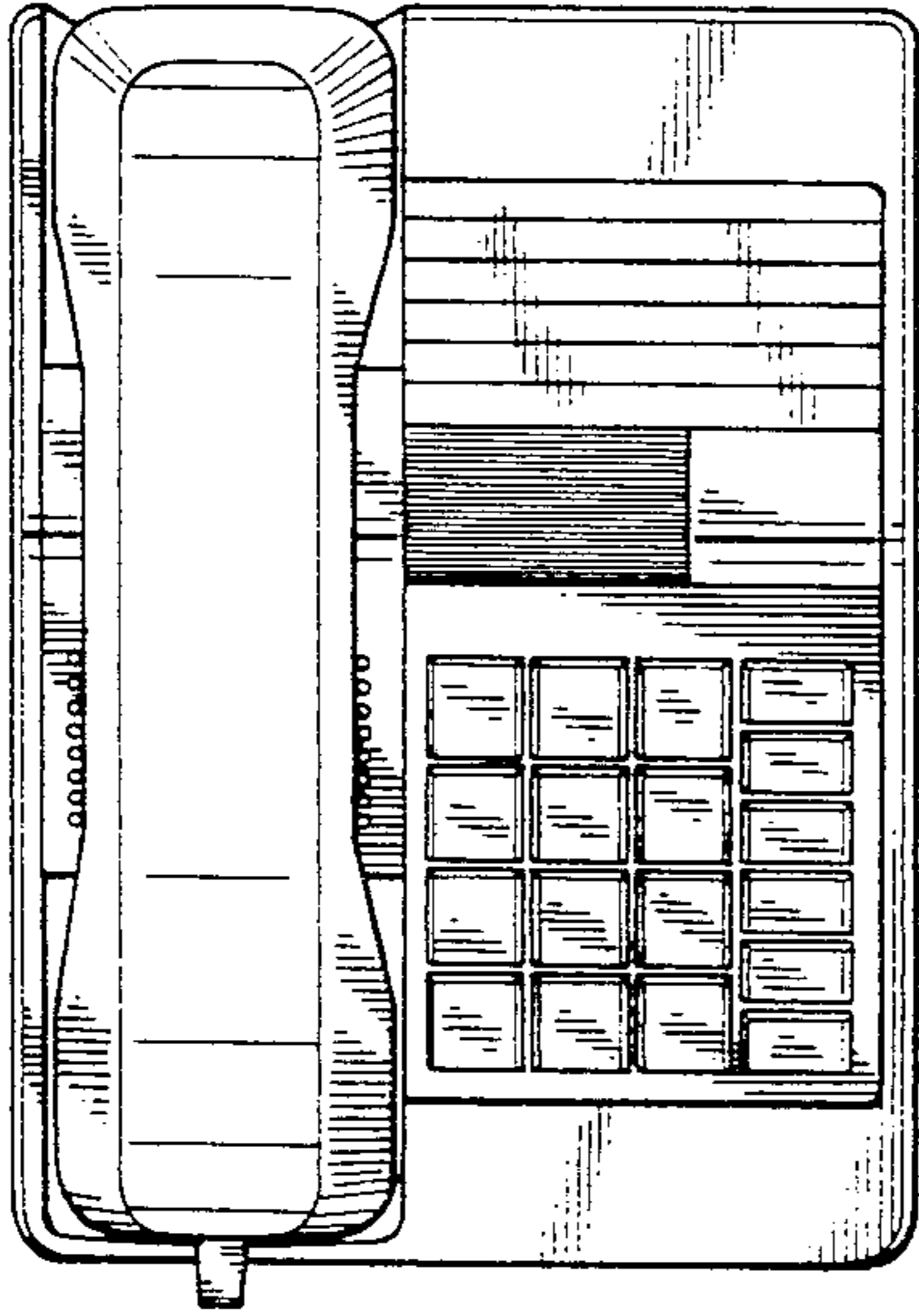


Fig. 6

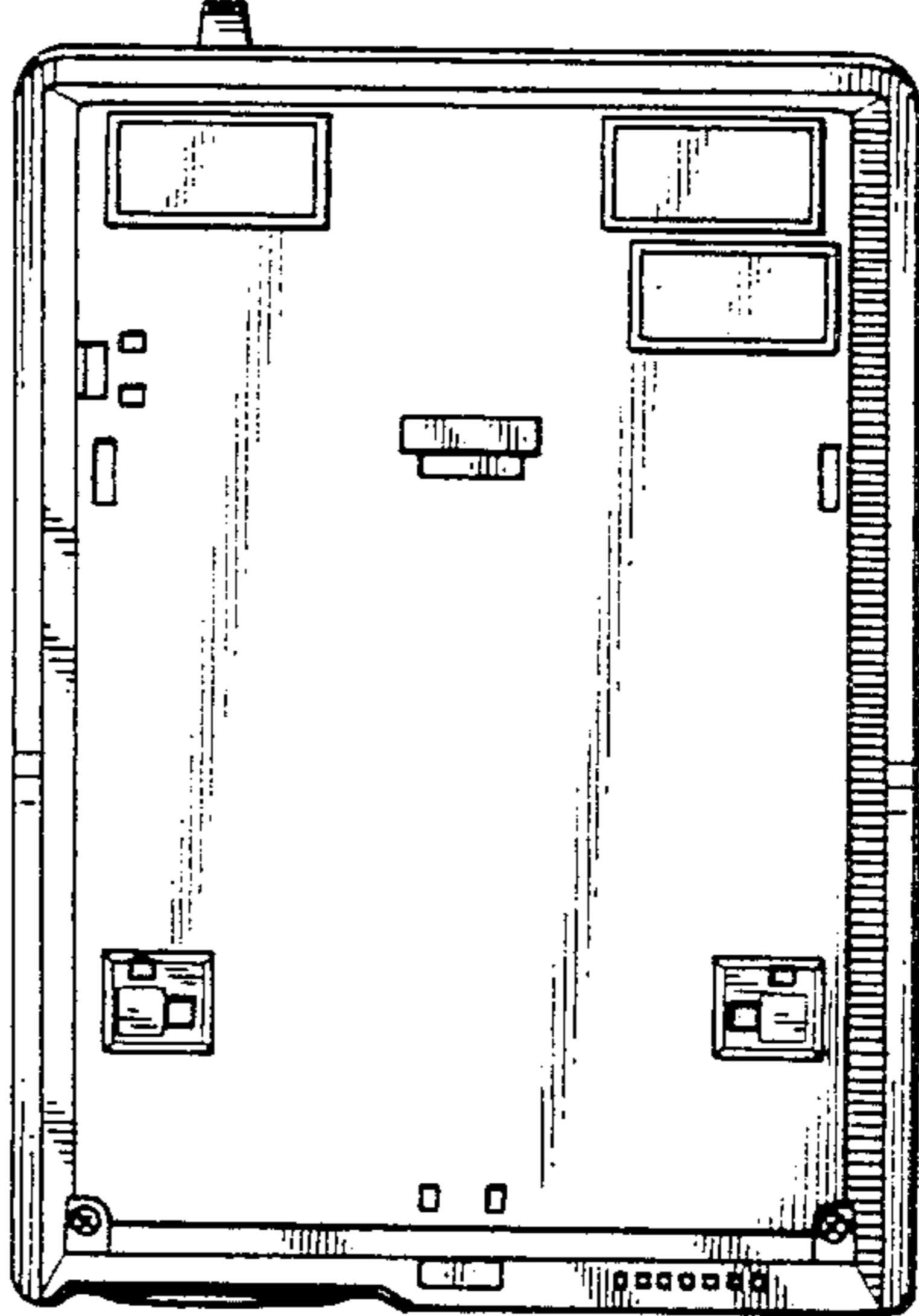


Fig. 7

