

- [54] TELEPHONE CONSOLE
- [75] Inventor: Frank L. Van Gilluwe, Mountain View, Calif.
- [73] Assignee: Teledex, Santa Clara, Calif.
- [\*\*] Term: 14 Years
- [21] Appl. No.: 550,614
- [22] Filed: Nov. 10, 1983
- [52] U.S. Cl. .... D14/62; D14/53; D14/58; D14/60
- [58] Field of Search ..... D14/52, 53, 58, 62; 179/179, 100 R, 100 C, 100 D, 100 L, 101, 102, 90 K, 90 L, 90 BD, 90 BB, 90 AD, 27 CA, 99 R, 99 A, 99 LS

- D. 269,268 6/1983 Ko ..... D14/58
- D. 280,404 9/1985 Inaki et al. .... D14/62

OTHER PUBLICATIONS

“Telrad” Single Page Ad Sheet Showing Key BX 1632.  
 “Businesscom” Multi-Line Set Brochure, 4 pages.  
 Telrad 4 page Brochure Showing on cover & page 3 Executive Display Phone; Published 2-84.

Primary Examiner—Wallace R. Burke  
 Assistant Examiner—Horace B. Fay  
 Attorney, Agent, or Firm—Thomas E. Schatzel

[57] CLAIM

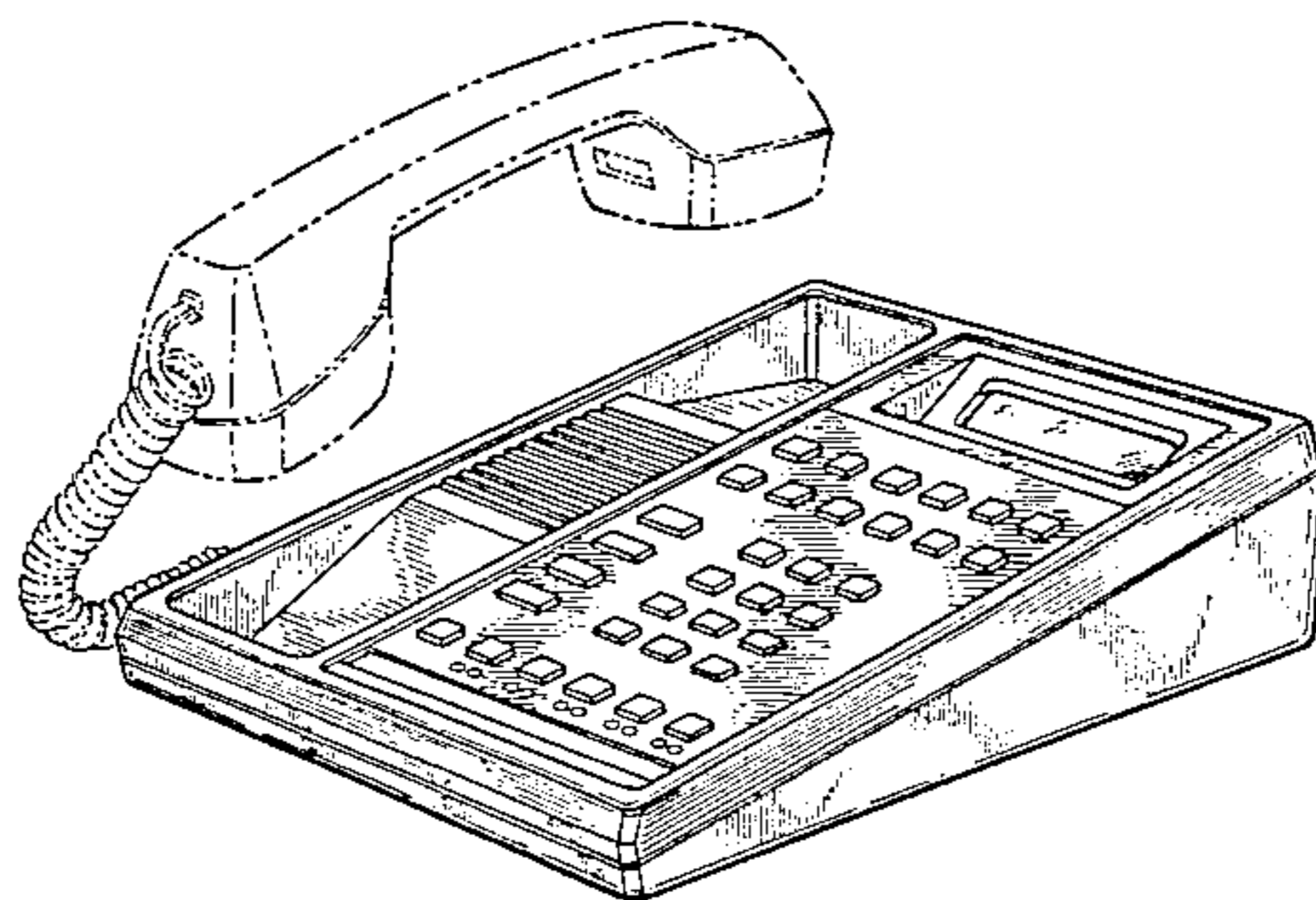
The ornamental design for a telephone console, as shown and described.

DESCRIPTION

FIG. 1 is a front, top, and right side perspective view of a telephone console showing my new design, the broken line showing of a handset and cord is for illustrative, associational purposes only and forms no part of the claimed design;  
 FIG. 2 is a front elevational view thereof;  
 FIG. 3 is a rear elevational view thereof;  
 FIG. 4 is a right side elevational view thereof;  
 FIG. 5 is a left side elevational view thereof; and  
 FIG. 6 is a bottom plan view thereof.

[56] References Cited  
 U.S. PATENT DOCUMENTS

- D. 231,650 5/1974 Eubank et al. .... D14/60
- D. 249,511 9/1978 Olson ..... D14/115
- D. 251,844 5/1979 Krämer ..... D14/52
- D. 258,889 4/1981 Hayashi ..... D18/7
- D. 260,643 9/1981 Foggia et al. .... D14/60
- D. 266,512 10/1982 Furbershaw et al. .... D14/53
- D. 266,853 11/1982 Yoshioka et al. .... D18/7
- D. 267,091 11/1982 Ohno ..... D14/58



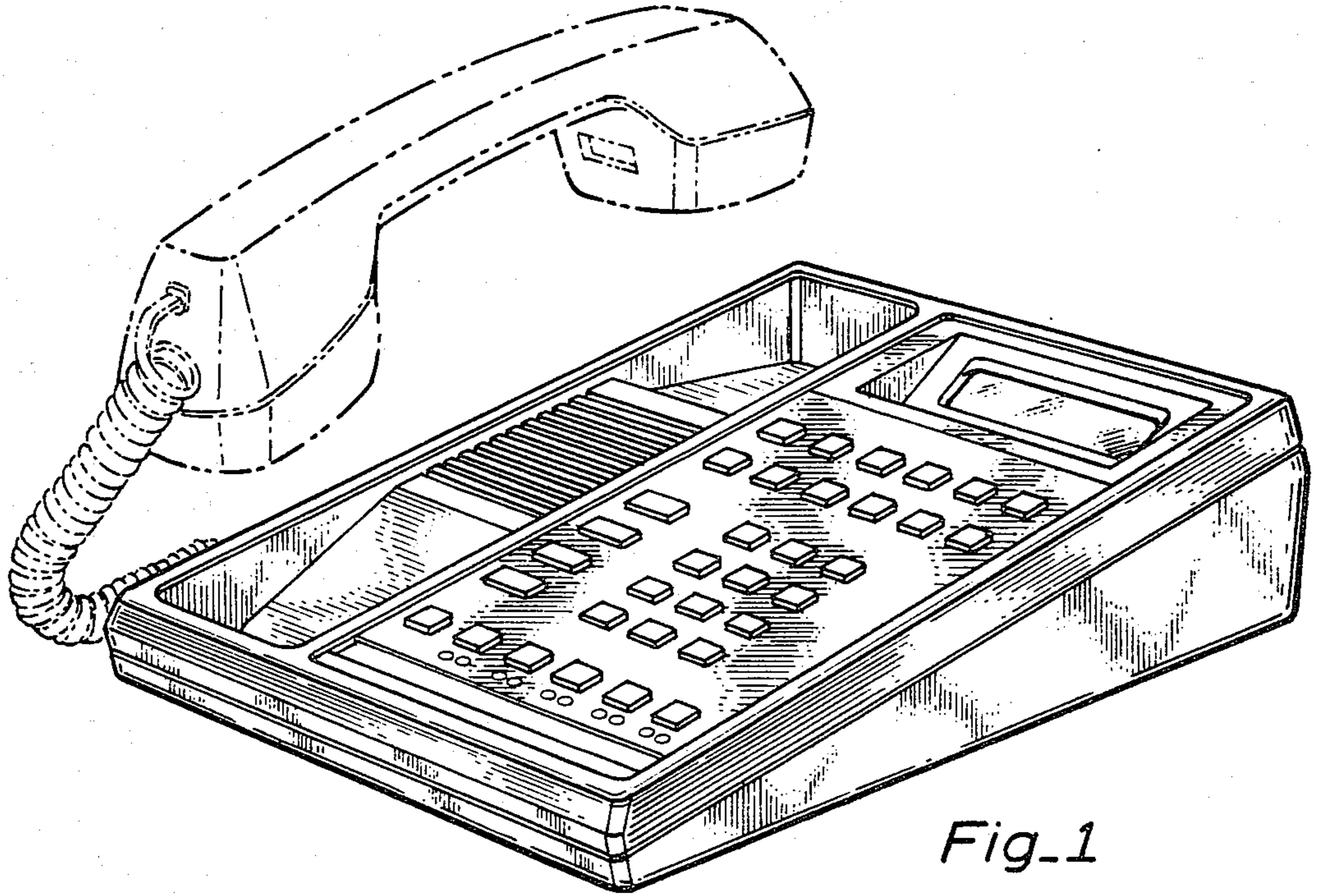


Fig. 1

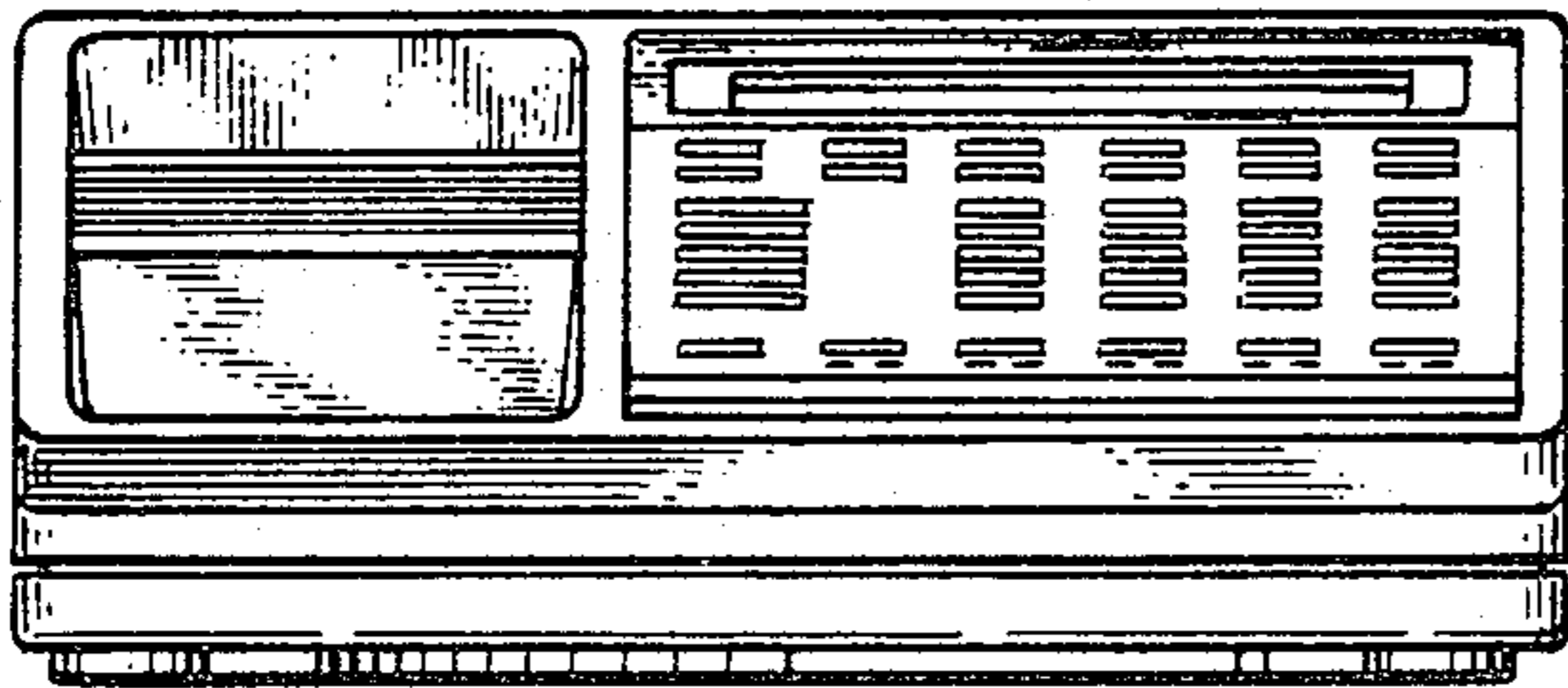


Fig. 2

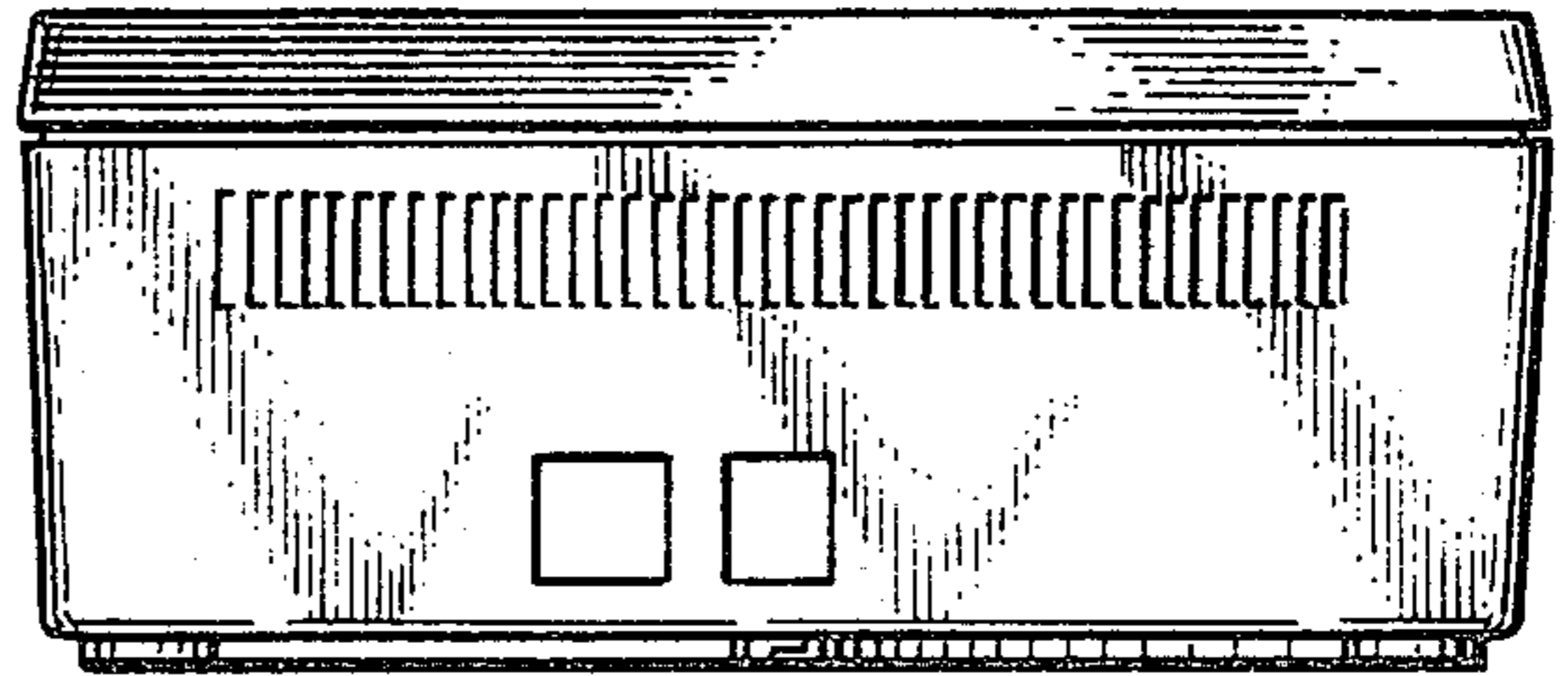


Fig. 3

Fig. 4

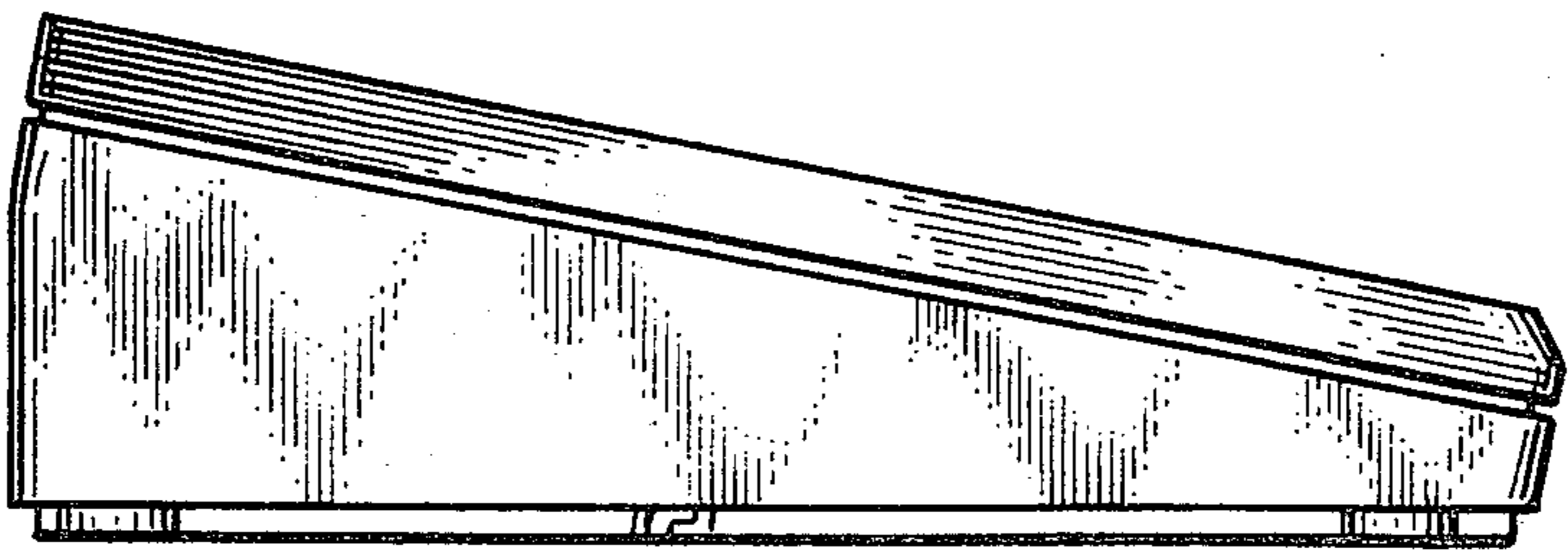
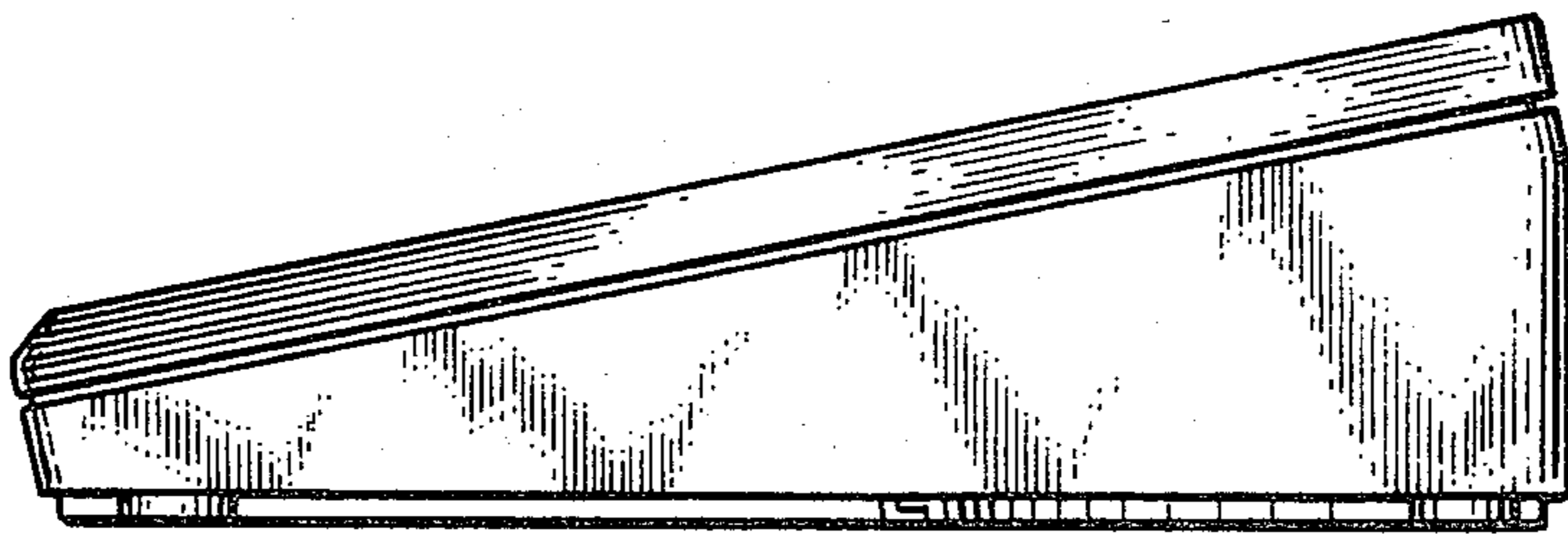
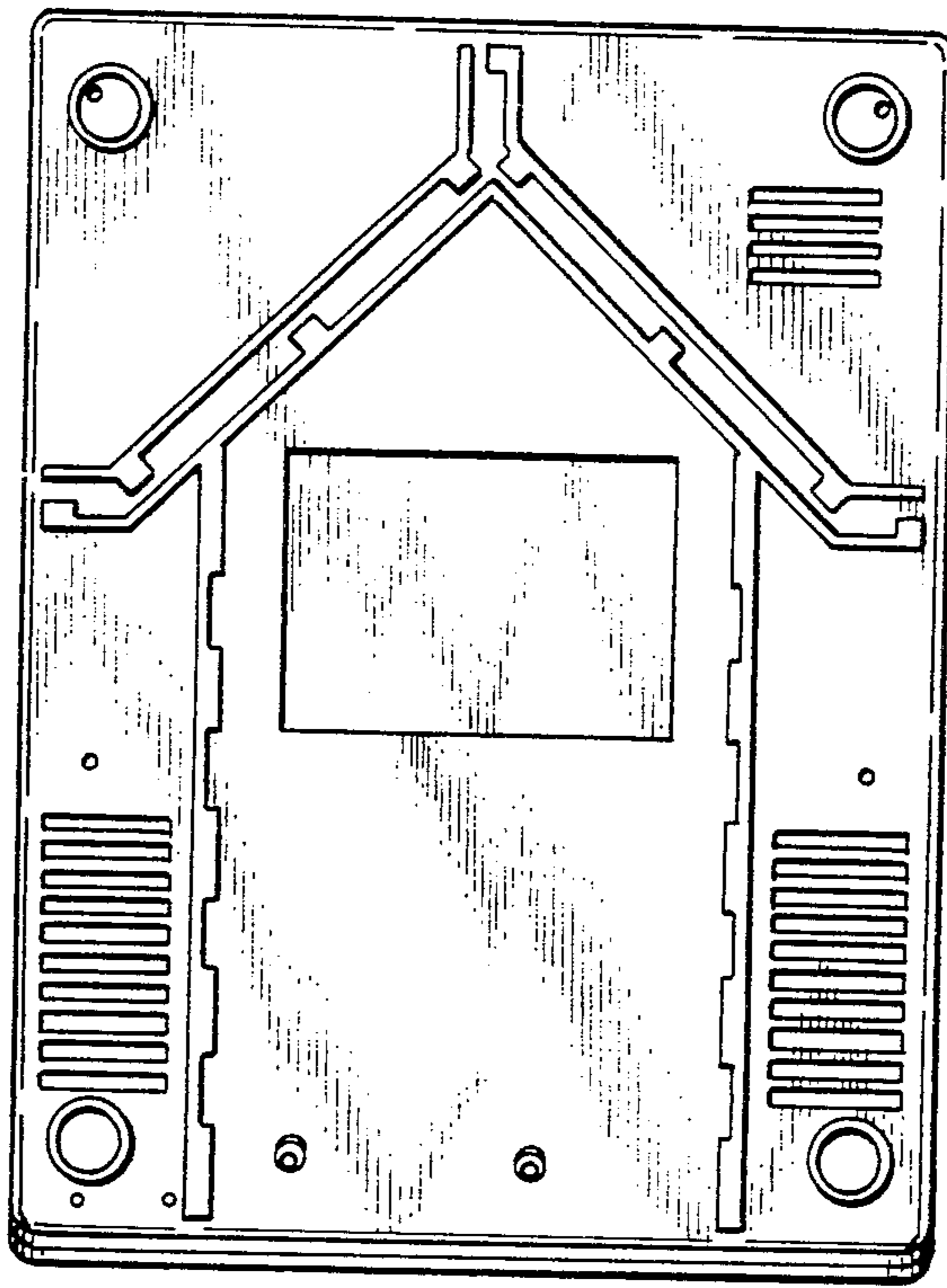


Fig. 5



*Fig. 6*