

[54] FOLDED FRAME FOR AN ELECTRIC SOLENOID

[76] Inventor: David C. Jencks, 25 Elm Park, Pleasant Ridge, Mich. 48069

[**] Term: 14 Years

[21] Appl. No.: 506,425

[22] Filed: Jun. 21, 1983

[52] U.S. Cl. D13/99; D8/354

[58] Field of Search D13/40, 99; D8/354; 248/300, 674; 339/119 R, 125 R

[56] References Cited

U.S. PATENT DOCUMENTS

2,269,947	1/1942	Ludwig	248/300
2,855,107	10/1958	Roth	248/300
3,143,214	8/1964	Moore et al.	339/125 R
3,276,179	10/1966	Rallis	248/300
4,025,019	5/1977	Jacobsen et al.	248/300
4,157,800	6/1979	Senter et al.	248/300

FOREIGN PATENT DOCUMENTS

1416297 12/1975 United Kingdom 339/125 R

Primary Examiner—B. J. Bullock
Assistant Examiner—Suzanne N. Gitlin
Attorney, Agent, or Firm—Burton, Parker & Schramm

[57] CLAIM

The ornamental design for a folded frame for an electric solenoid, as shown.

DESCRIPTION

FIG. 1 is a reduced perspective view of a folded frame for an electric solenoid showing my new design;
FIG. 2 is a side elevational view thereof, the opposite side being a mirror image;
FIG. 3 is an end elevational view taken from the right of FIG. 2;
FIG. 4 is an end elevational view taken from the left of FIG. 1;
FIG. 5 is a bottom plan view thereof;
FIG. 6 is a top plan view thereof.

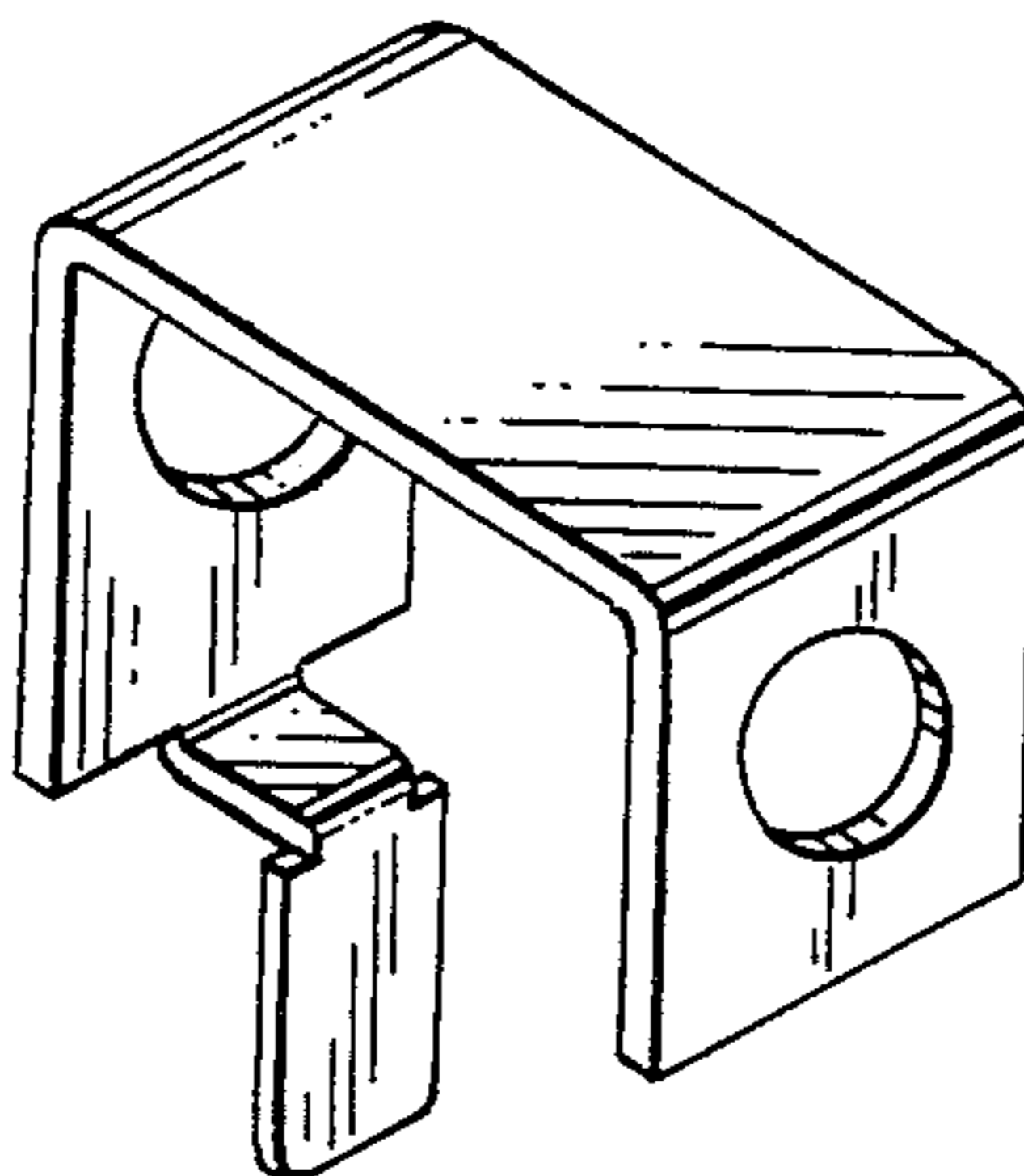


FIG. 1

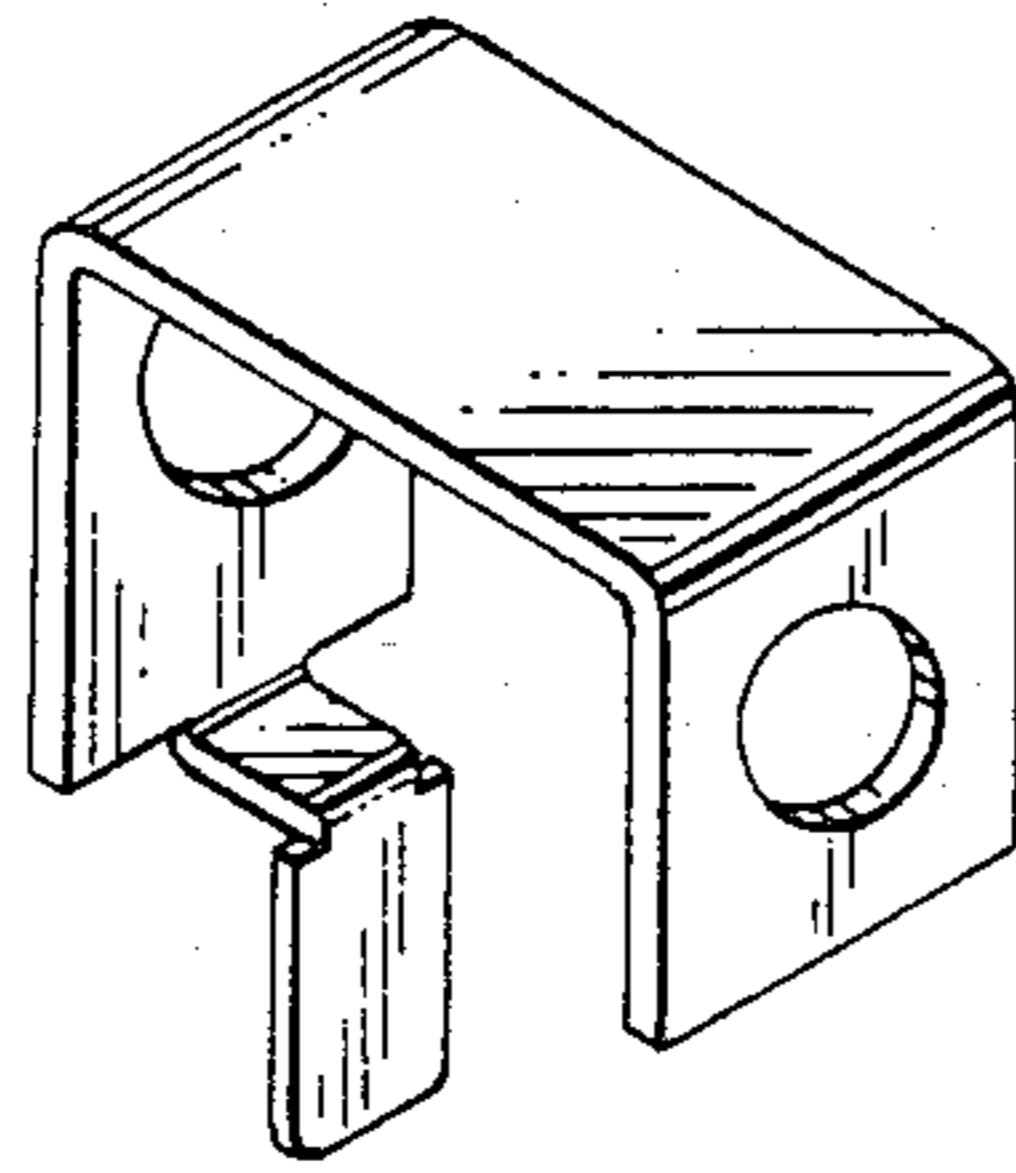


FIG. 2

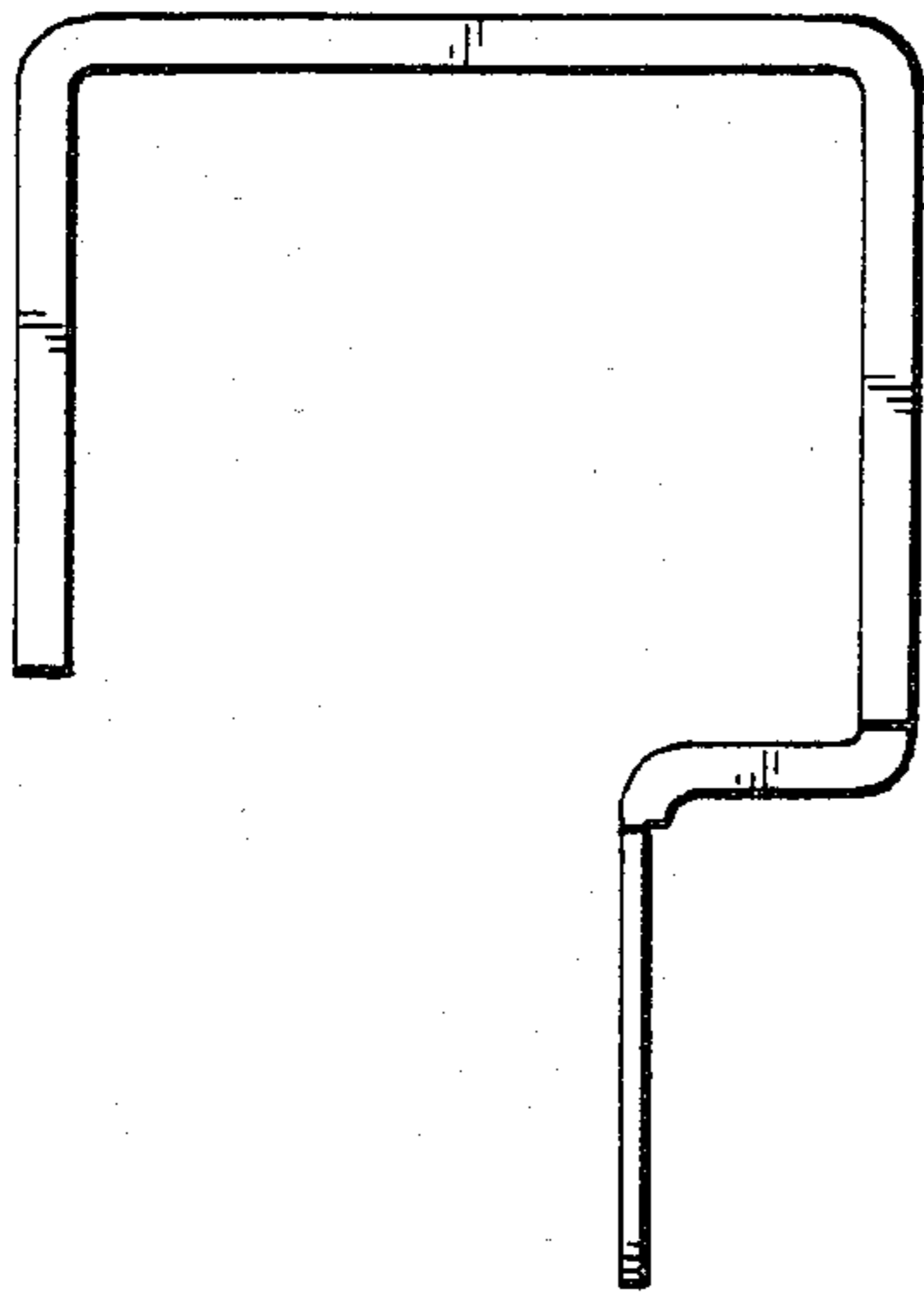


FIG. 3

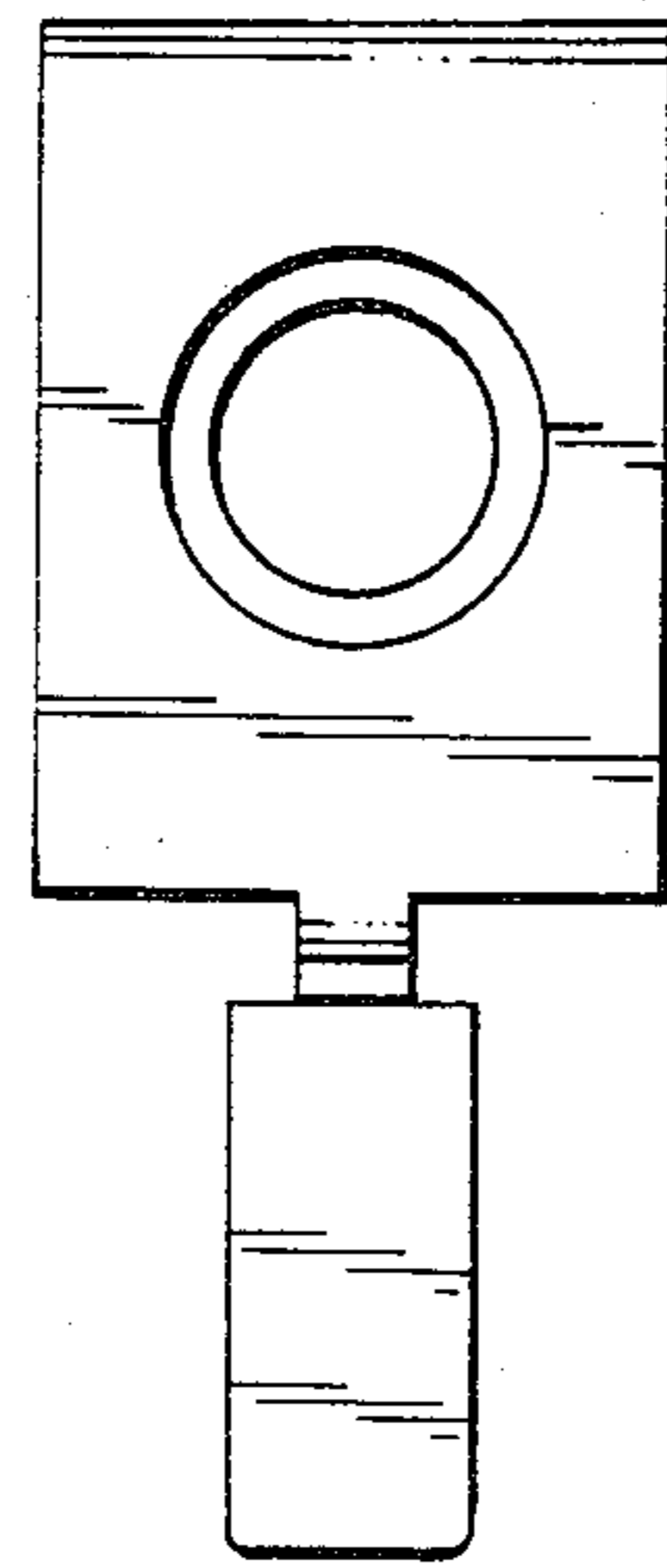


FIG. 4

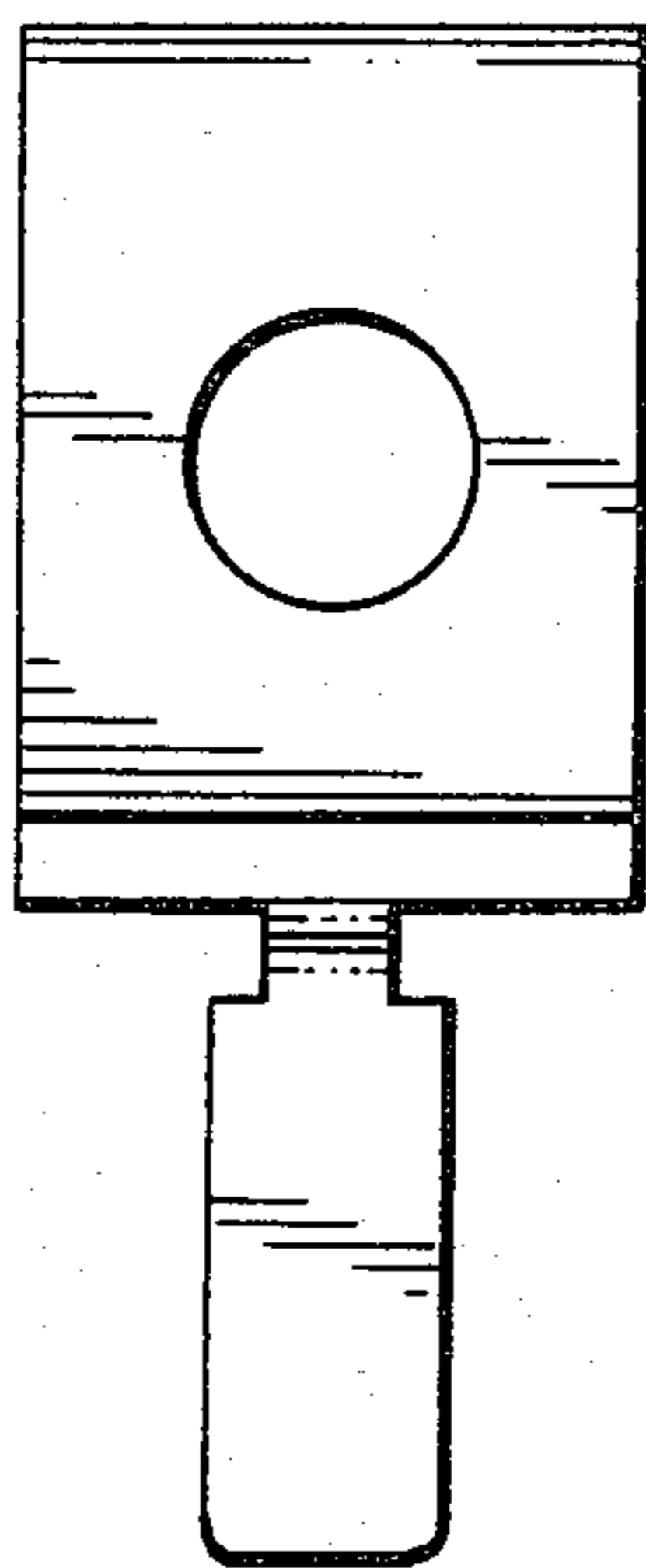


FIG. 5

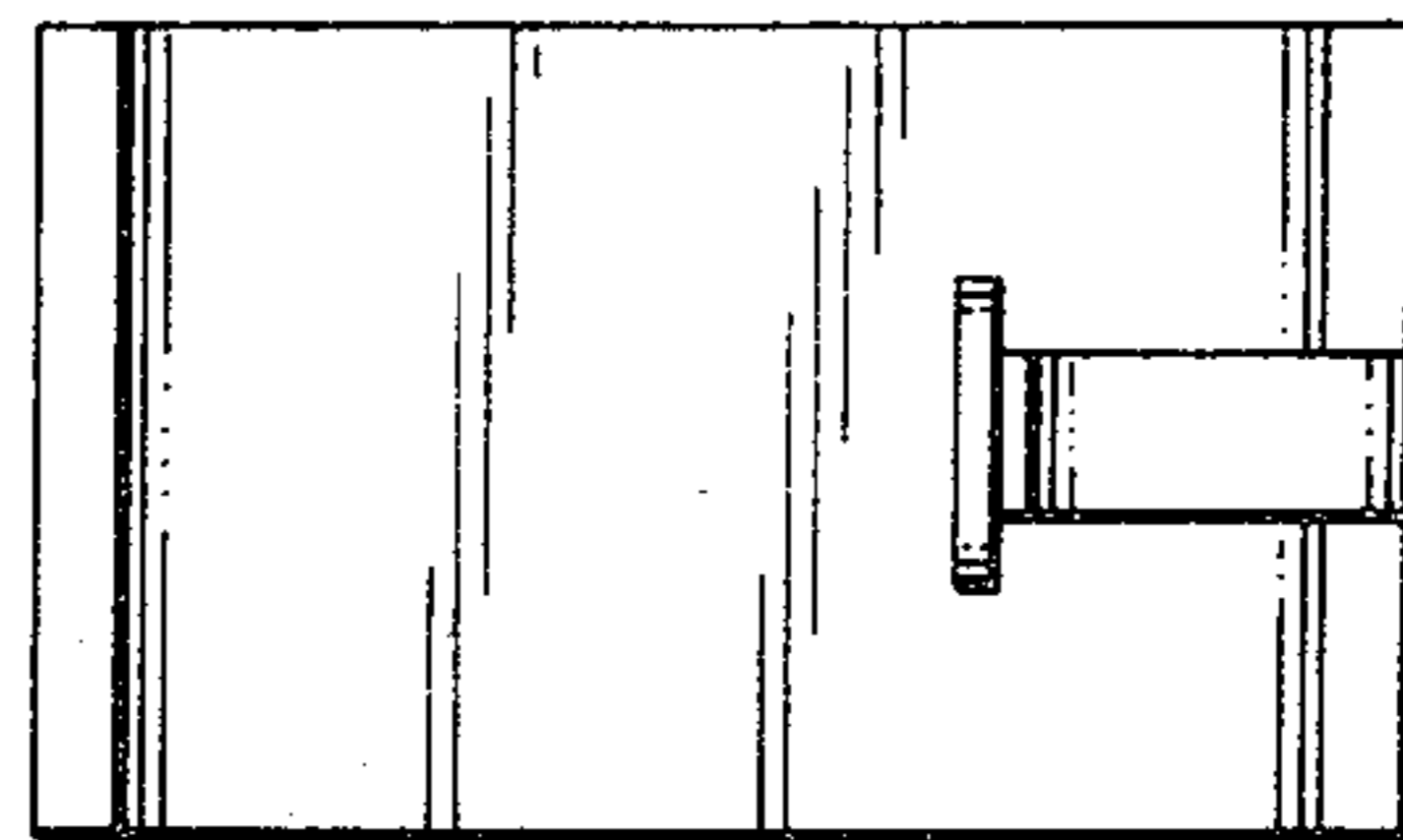


FIG. 6

