

[54] LAMP BASE

[76] Inventor: Harvey M. Leis, 3050 N. Hope St., Philadelphia, Pa. 19133

[\*\*] Term: 14 Years

[21] Appl. No.: 512,527

[22] Filed: Jul. 11, 1983

[52] U.S. Cl. .... D13/25; D26/3

[58] Field of Search ..... D26/2, 3; 315/49, 50, 315/53-58, 62-65, 70, 71; 318/318, 473; 362/216

[56] References Cited

U.S. PATENT DOCUMENTS

- D. 275,948 10/1984 Vakil ..... D26/3 X
- 4,173,730 11/1979 Young et al. .... 315/53
- 4,347,460 8/1982 Latassa et al. .... 315/57 X

Primary Examiner—Susan J. Lucas  
Attorney, Agent, or Firm—Stuart E. Beck

[57] CLAIM

The ornamental design for a lamp base, substantially as shown and described.

DESCRIPTION

FIG. 1 is a top, three quarter view of the lamp base showing my new design, the fluorescent lamp being shown in broken lines for illustrative purposes only; FIG. 2 is a front elevational view thereof on an enlarged scale, the rear being identical; FIG. 3 is a right side elevational view thereof on an enlarged scale, the left side being identical; FIG. 4 is a top plan view thereof on an enlarged scale; FIG. 5 is a bottom plan view thereof on an enlarged scale.

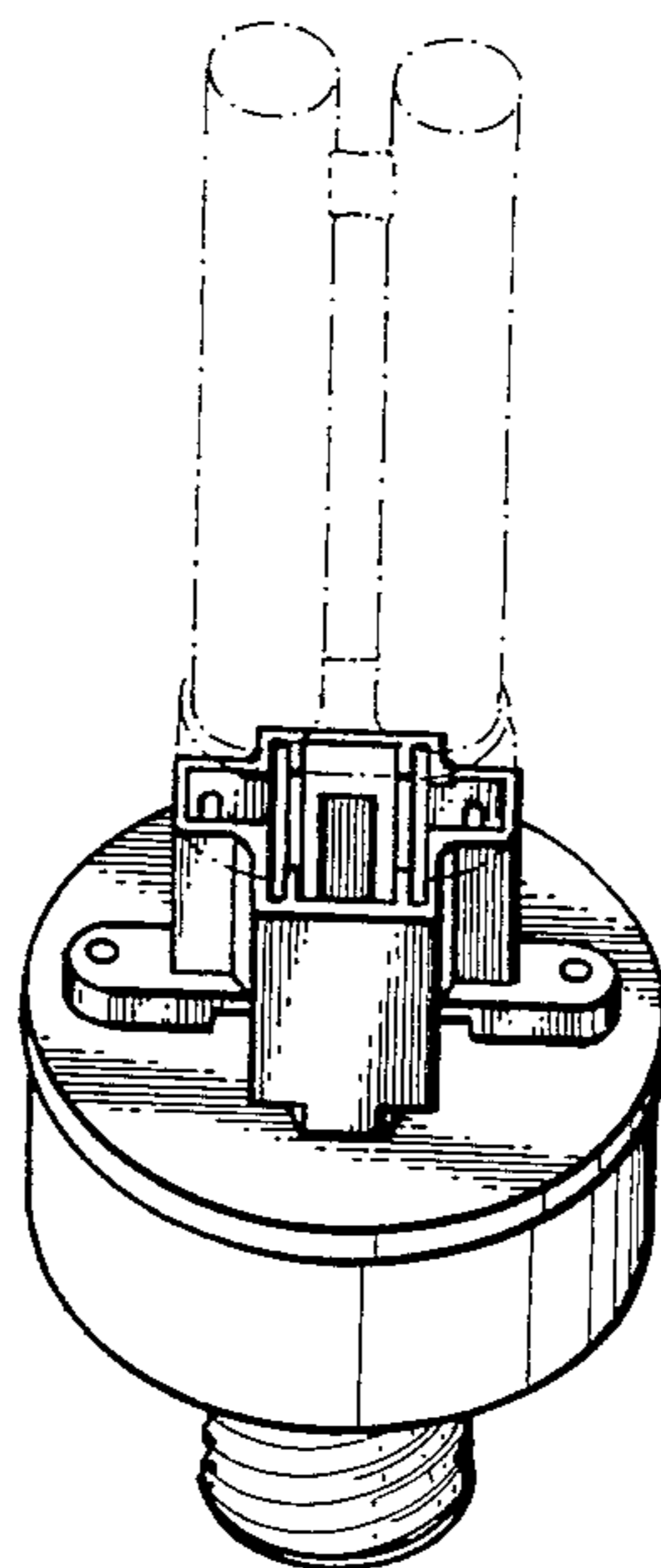


FIG. 1

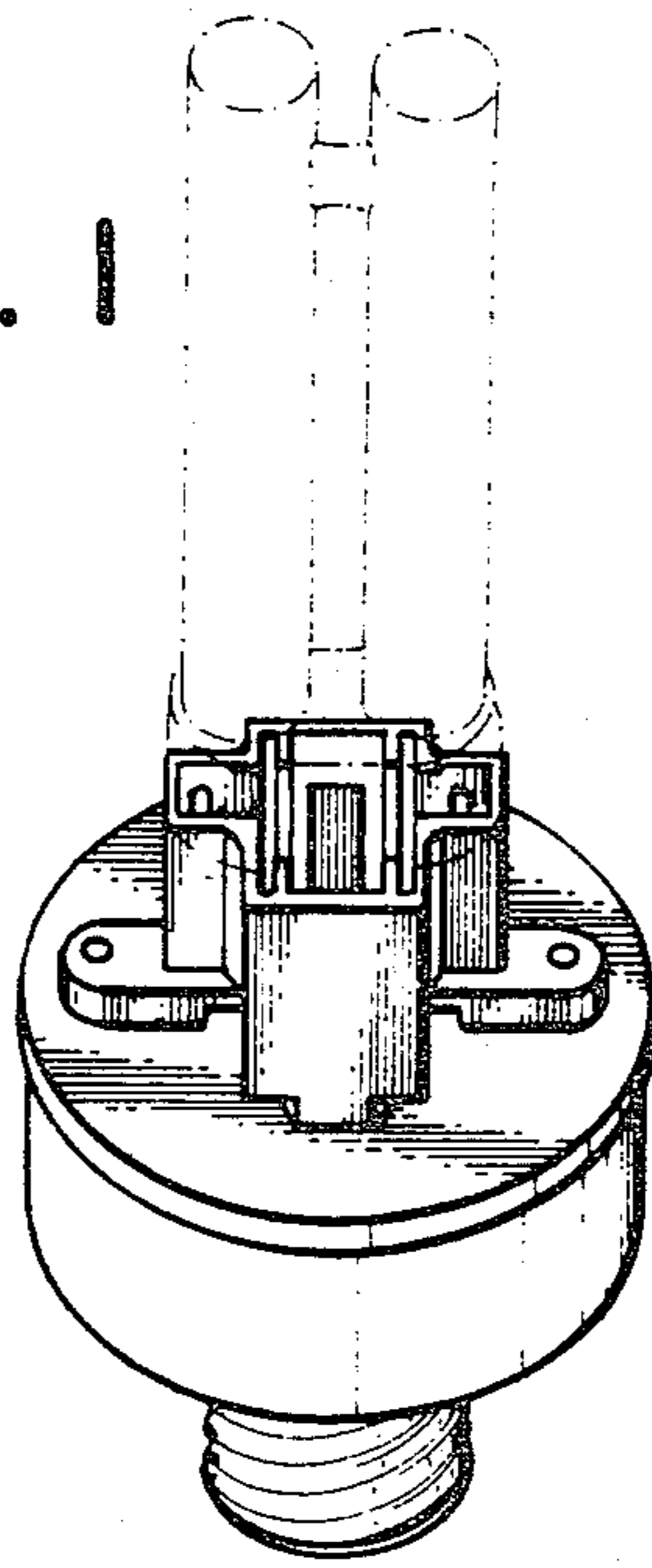


FIG. 2

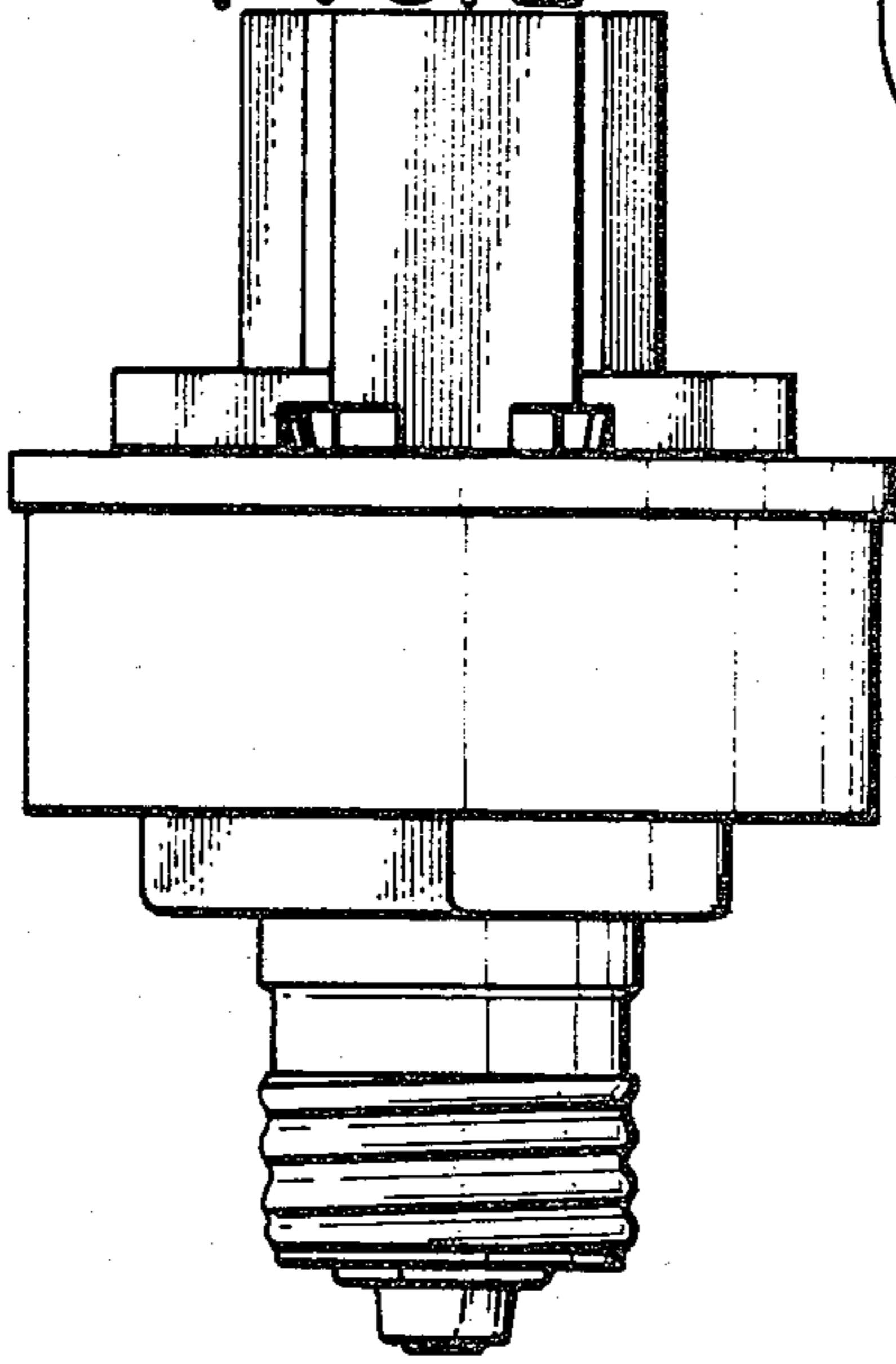


FIG. 3

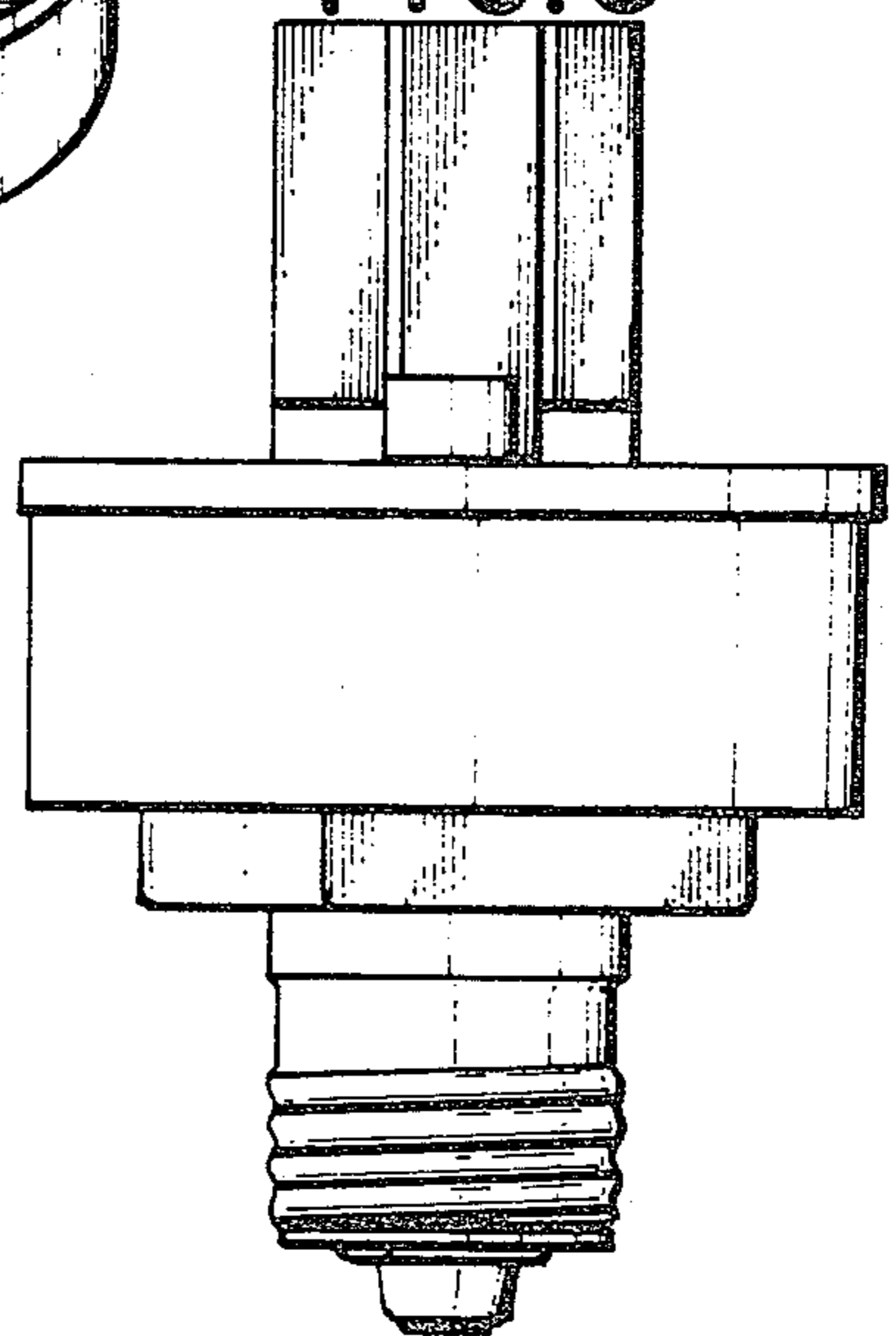


FIG. 4

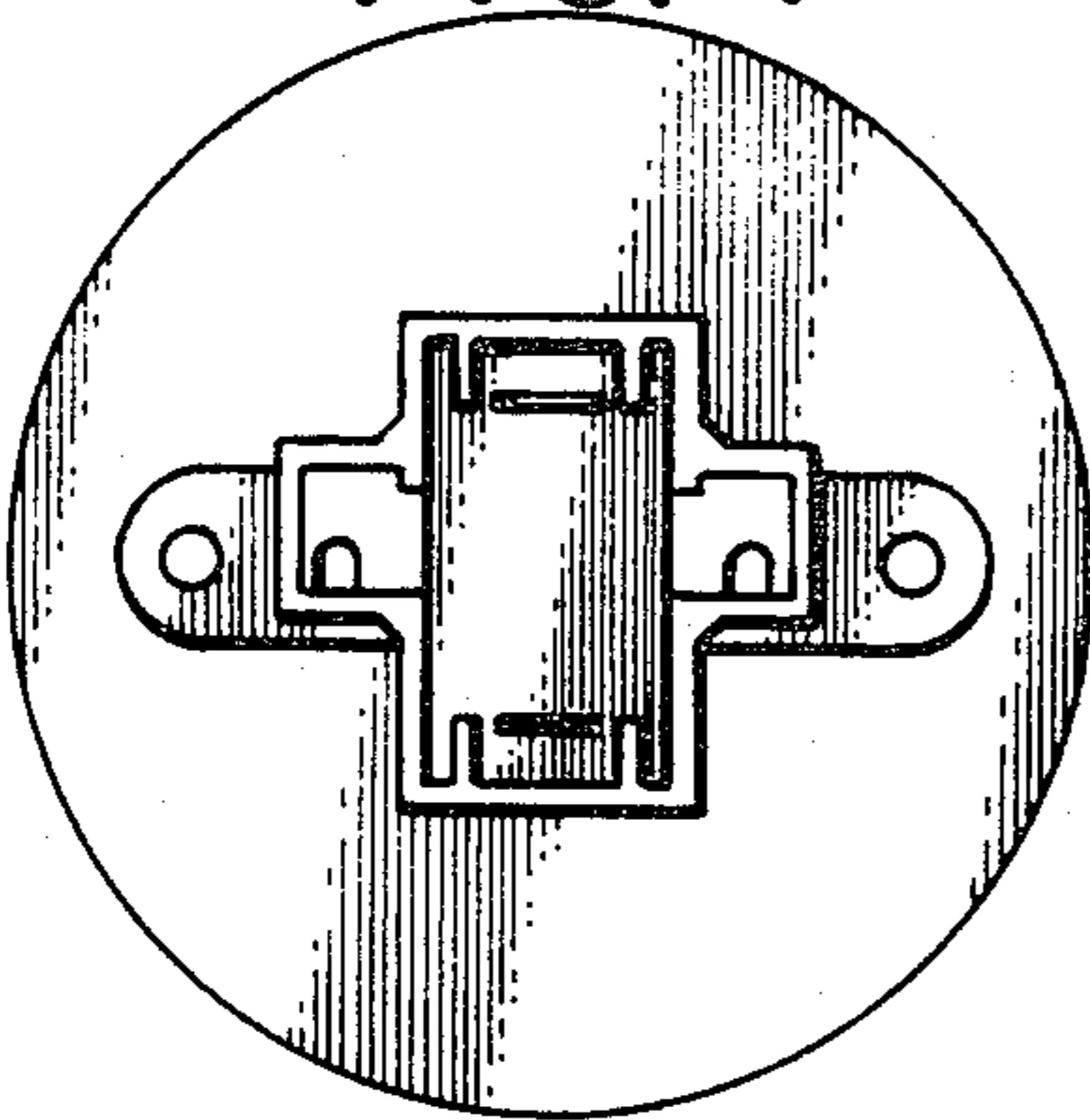


FIG. 5

